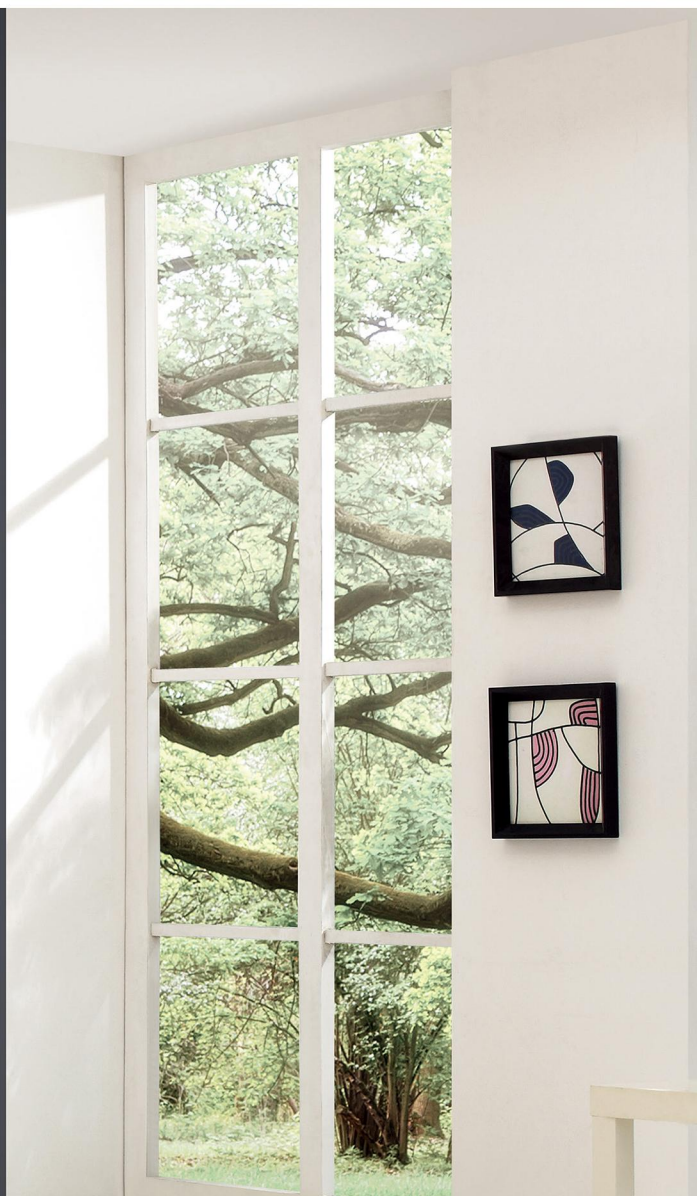


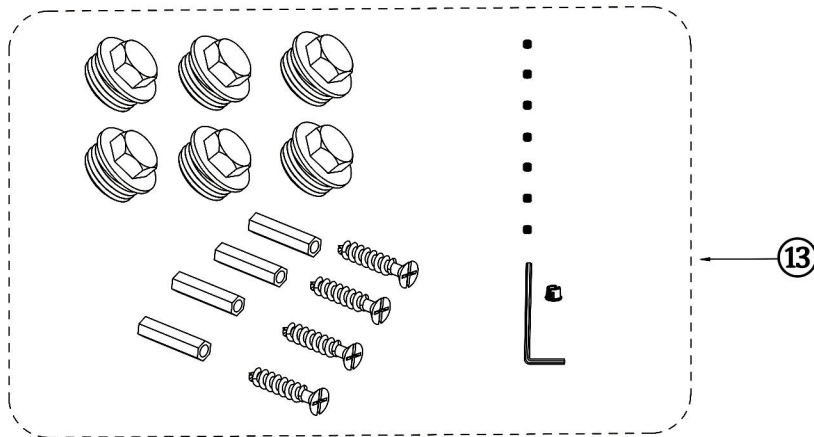
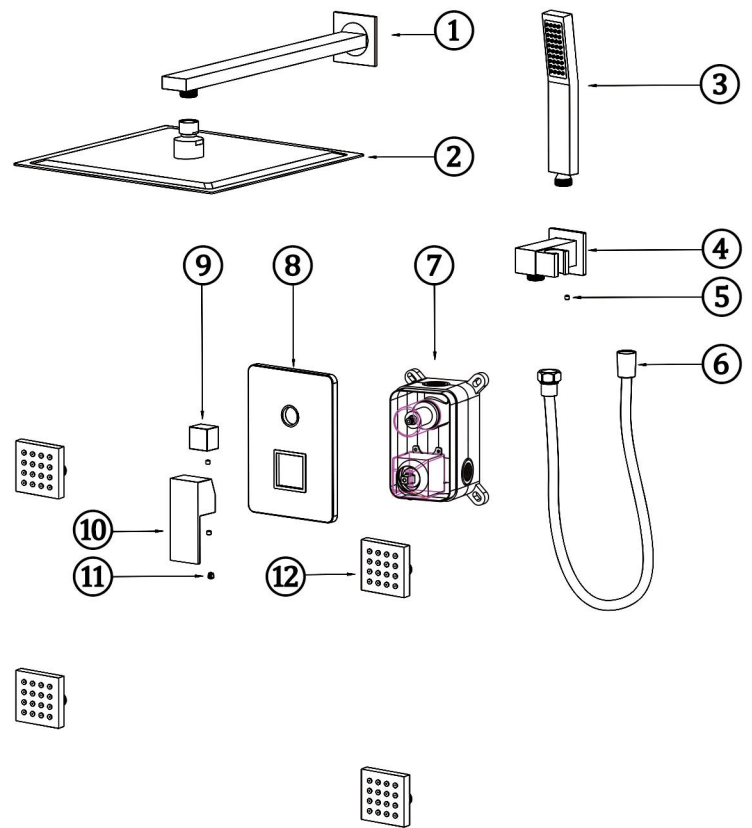


User's Manual



BEFORE INSTALLATION

NO.	Item	Qty
1	Upper outlet pipe	1
2	Top shower head	1
3	Hand-held shower head	1
4	Hand shower bracket	1
5	Hexagon socket screw	7
6	Shower hose	1
7	Main body (including embedded box)	1
8	Panel	1
9	Water diversion handwheel	1
10	Handle	1
11	Decorative button	1
12	Waist sprayer	4
13	Accessory bag	1



Check accessories

Standard List of Accessories:

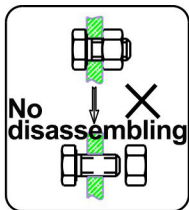
When you open the product packaging, please check whether the objects in it are consistent with the main body and accessories you purchased. If there is any inconsistency, please contact our company or our distributor.

Note: 1. Accessories are subject to change without prior notice if the change does not affect usage;

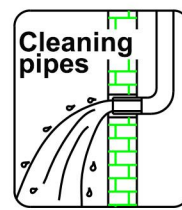
2. The appearance of the product is subject to the physical objects you receive, and the schematic diagram is only for reference.

INSTALLATION STEPS

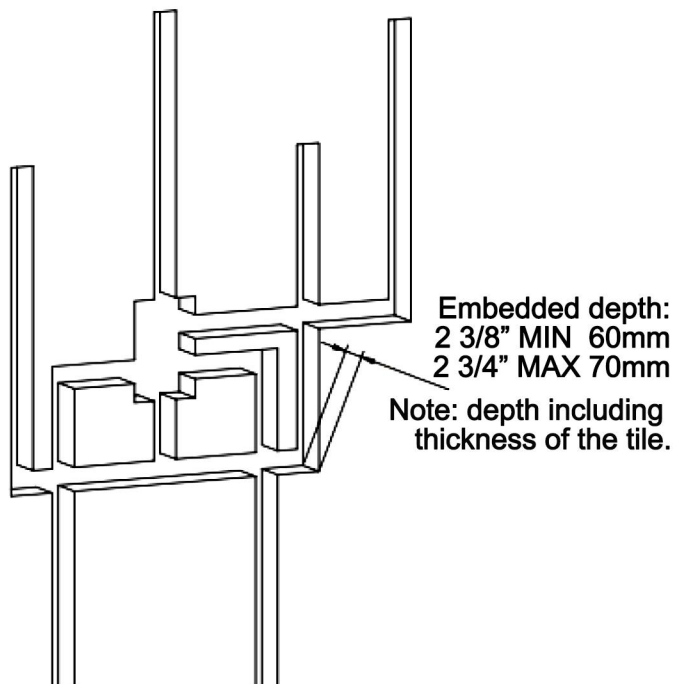
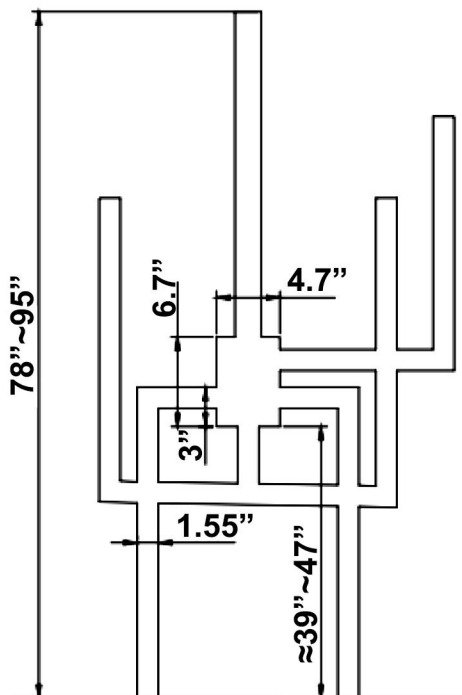
This product has been inspected and debugged by the factory to the best condition. Please do not disassemble and assemble it yourself.



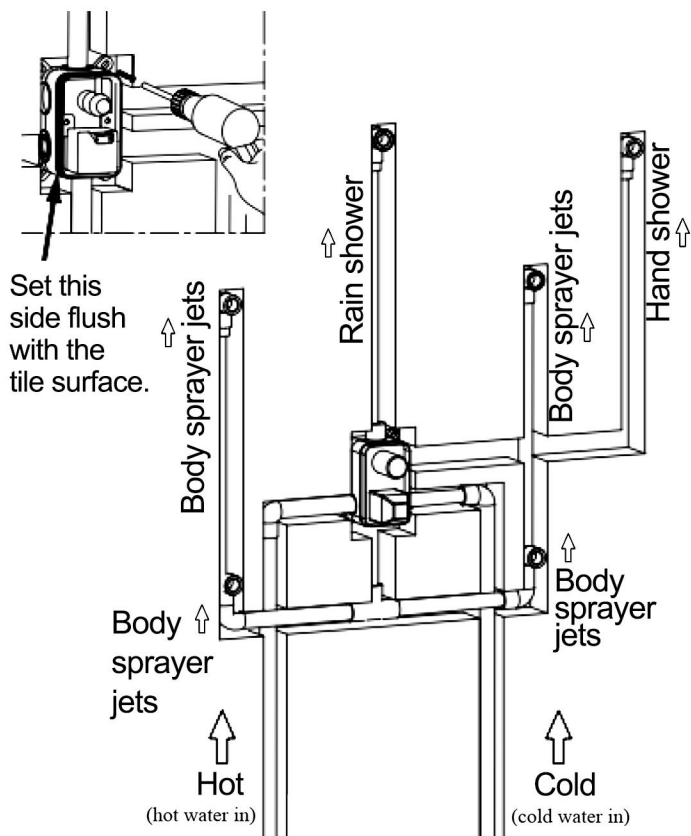
Before installing the product, please be sure to remove sundries and sludge from the water pipe to prevent sundries from blocking the product.



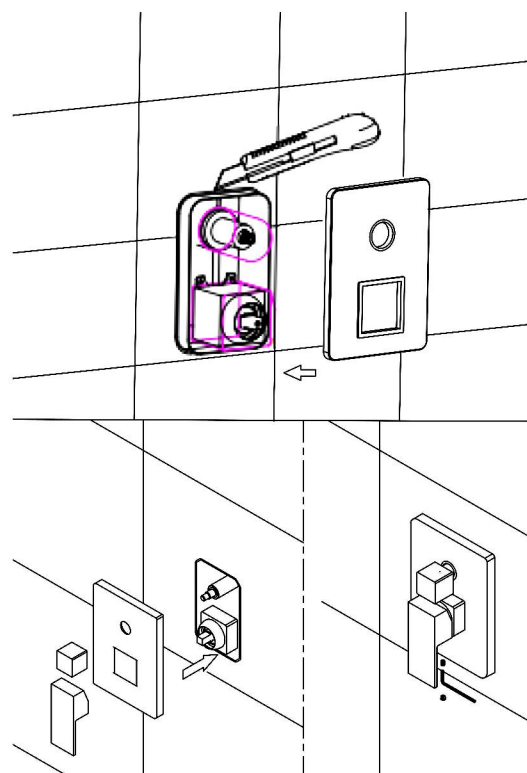
1. Dig pipe grooves for pre-burying pipes.
Unit:inch



2. Install the main body, water inlet pipes and other pipes.



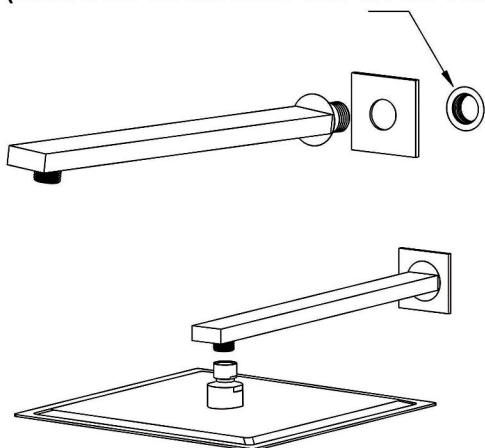
3. After fixing ceramic tiles, cut off edges of the embedded box, remove the protective cover and install the panel.



INSTALLATION STEPS

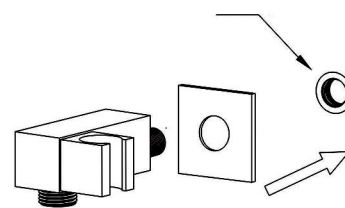
4 .Install the upper outlet pipe and the top shower head.(wrap the PTFE tape on the thread)

(embed the thread flush with the tile surface)



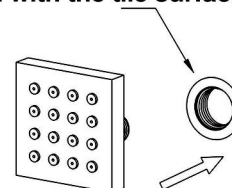
5 .Install the stand for hand-held shower head. (Wrap the PTFE) tape on the thread)

(embed the thread flush with the tile surface)

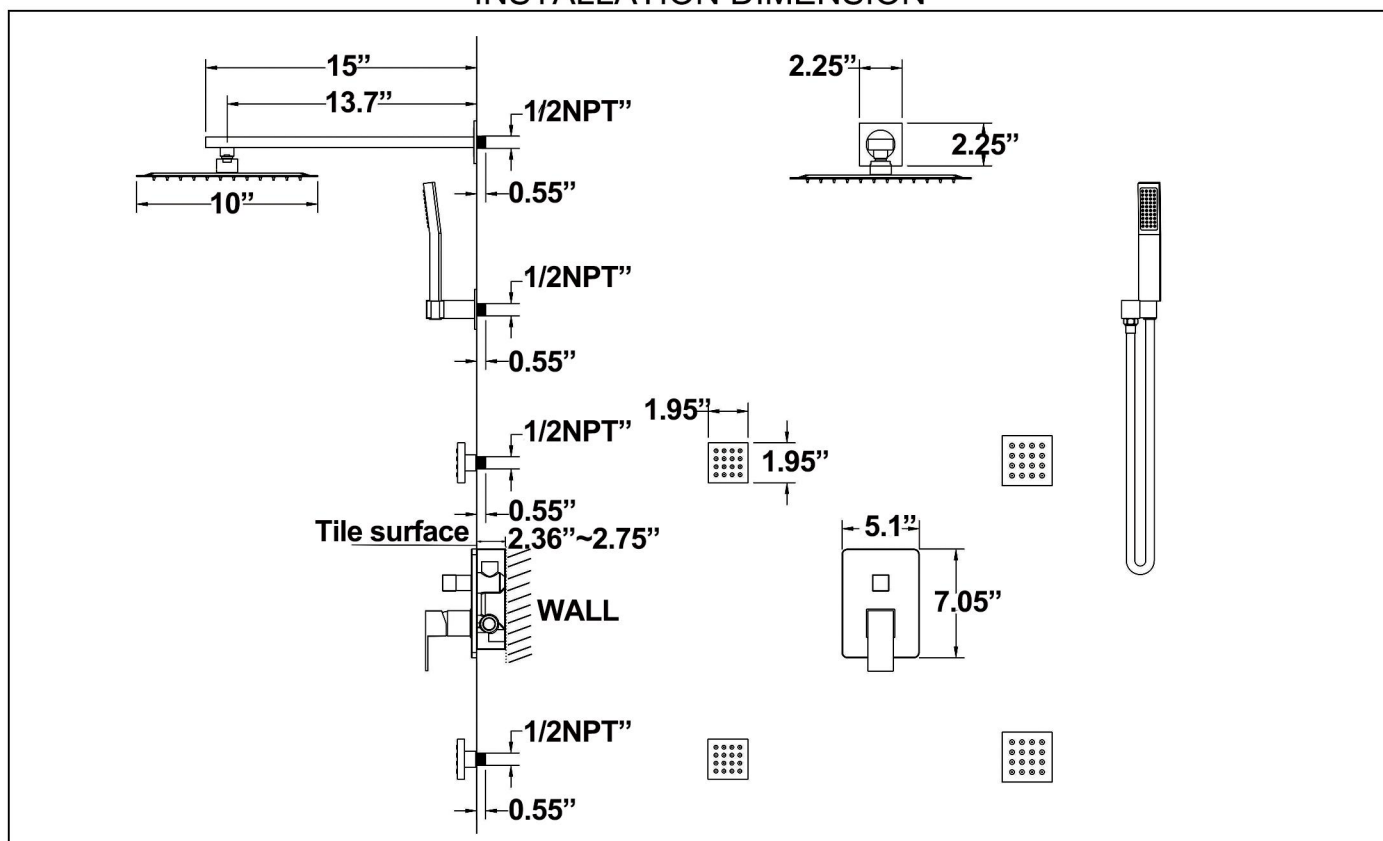


6 .Install body jets. (Wrap the PTFE) tape on the thread)

(embed the thread flush with the tile surface)



INSTALLATION DIMENSION



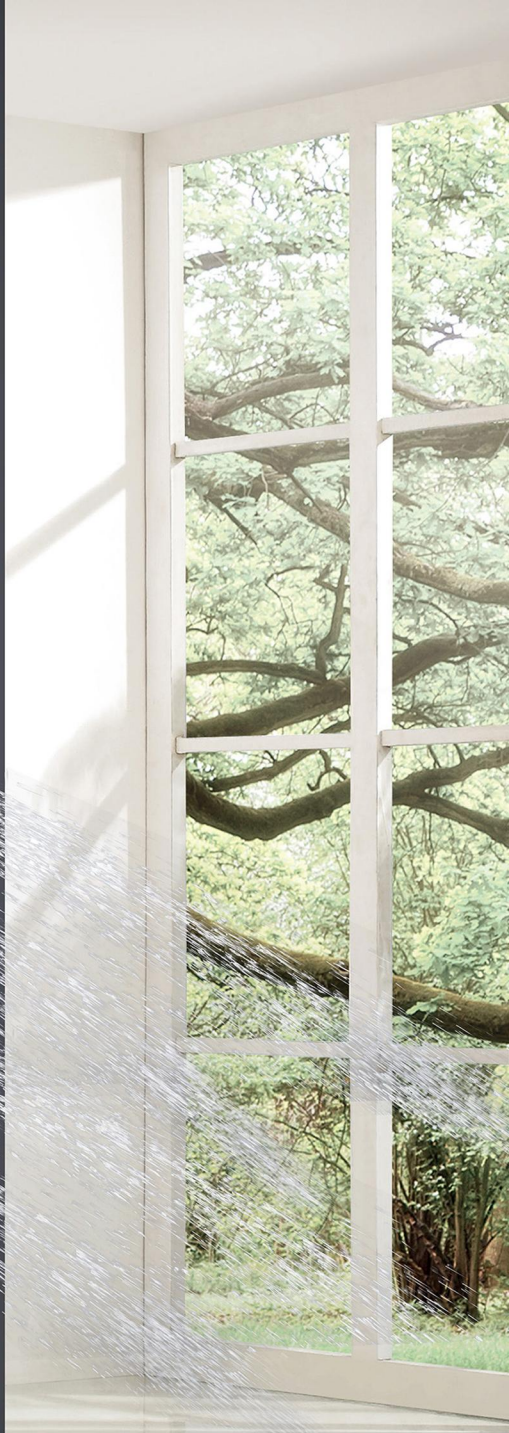
CLEANING CARE

In order to keep the appearance of product clean, bright and good performance, please take care of the product as follows;

- 1.Rinse with water only and dry with soff cotton cloth;
- 2.Use mild liquid and colorless glass cleaner to remove surface dirt and scale film, or use polish without abrasive effect;
- 3.Do not use abrasive deterfgent, polish, emery cloth, paper towel or scraper, etc;
- 4.Do not use acid cleaner, or cleaner and soap with insoluble gran etc;
- 5.In the process of use, mud my accumulate in the bubbler and make the water flow show, The bubbler can be unscrewed, rinsed with water, and then installed back in place.



Please feel free to contact us if you have any questions. We will help to solve the issue together with you. OUR EMAIL: services@rbrohant.com



Service Contact:
+1(801) 800-9309
services@rbrohant.com

Made in China