

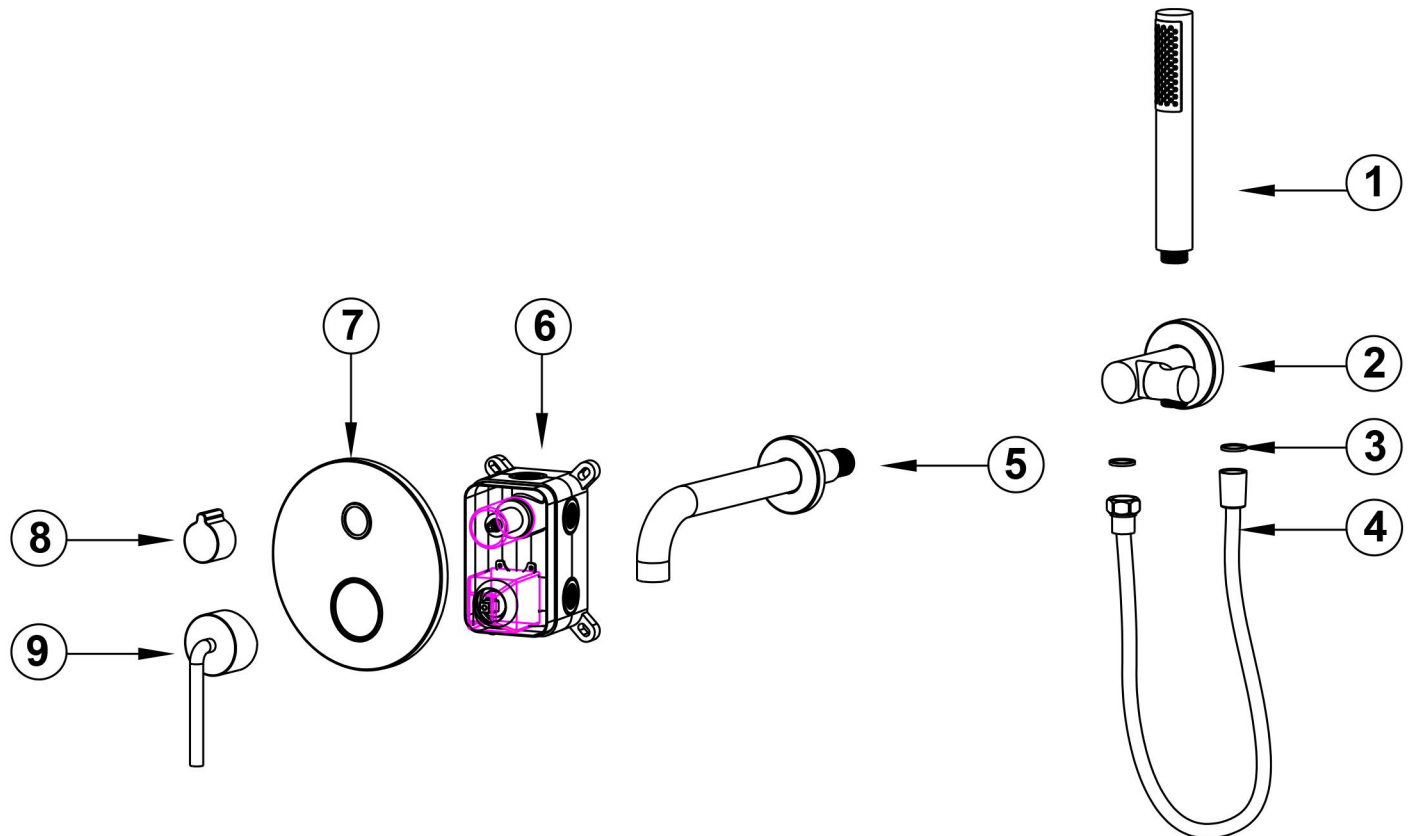
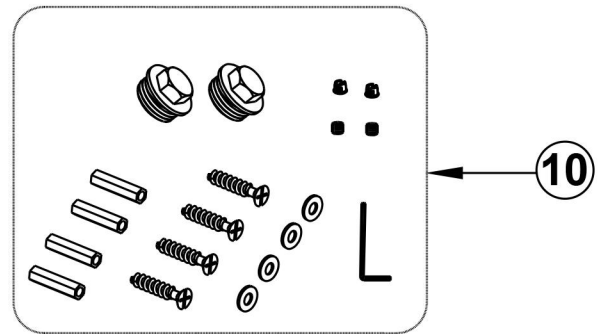


User's Manual



BEFORE INSTALLATION

NO.	Item	Qty
1	Hand-held shower head	1
2	Hand shower bracket	1
3	O-ring	1
4	Shower hose	1
5	Lower outlet pipe	1
6	Main body(With embedded box)	1
7	Panel	1
8	Water diversion handwheel	1
9	Handle	1
10	Accessory bag	1



Check accessories

Standard List of Accessories:

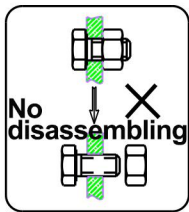
When you open the product packaging, please check whether the objects in it are consistent with the main body and accessories you purchased. If there is any inconsistency, please contact our company or our distributor.

Note: 1. Accessories are subject to change without prior notice if the change does not affect usage;

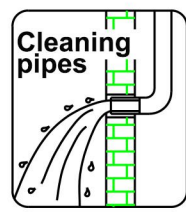
2. The appearance of the product is subject to the physical objects you receive, and the schematic diagram is only for reference.

INSTALLATION STEPS

This product has been inspected and debugged by the factory to the best condition. Please do not disassemble and assemble it yourself.

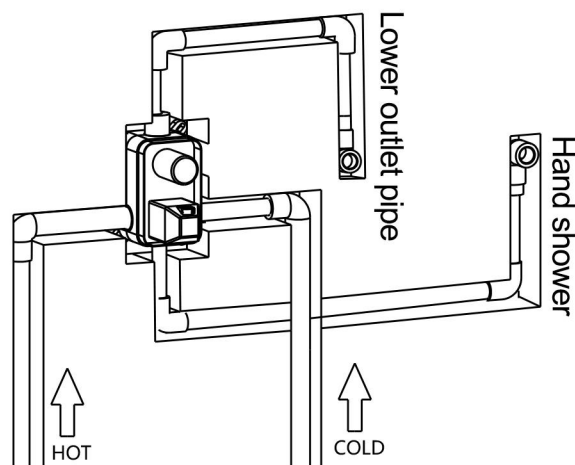
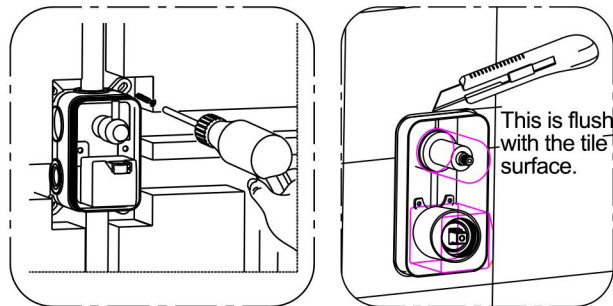
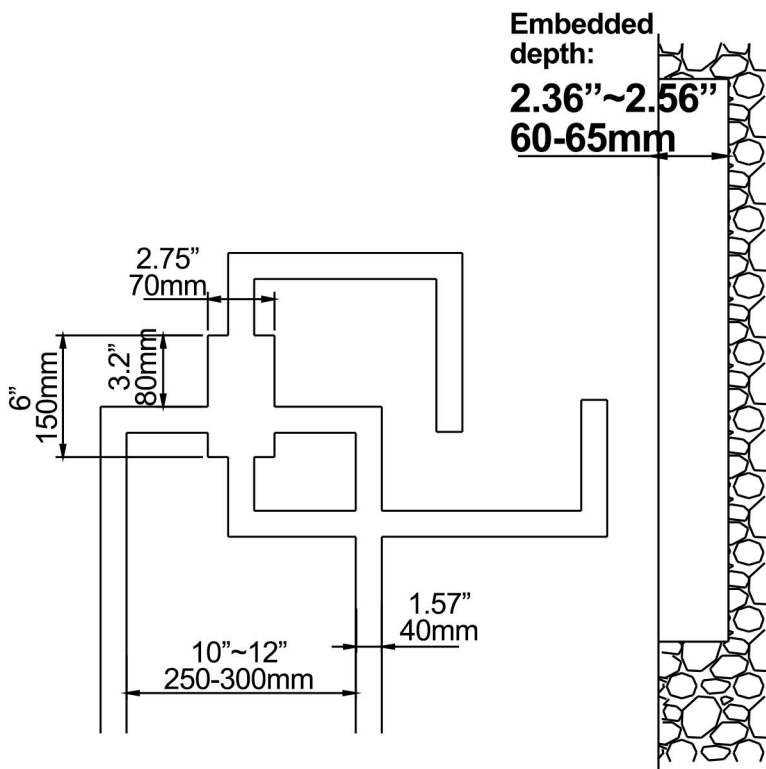


Before installing the product, please be sure to remove sundries and sludge from the water pipe to prevent sundries from blocking the product.



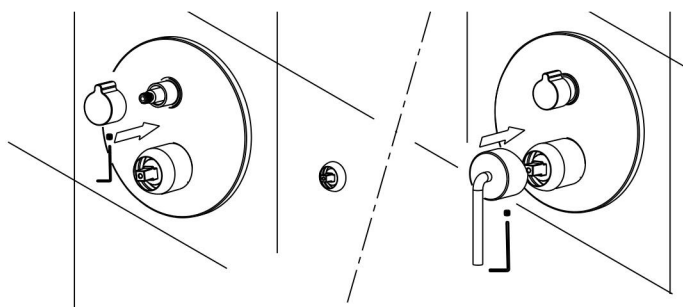
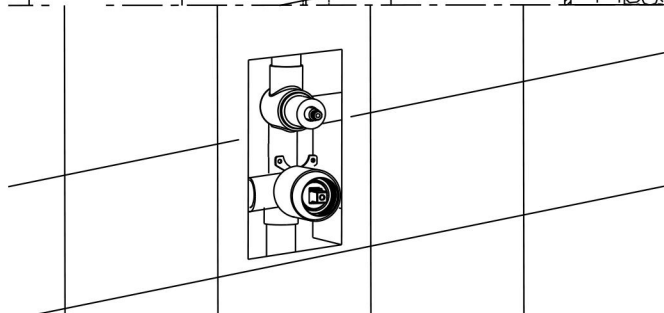
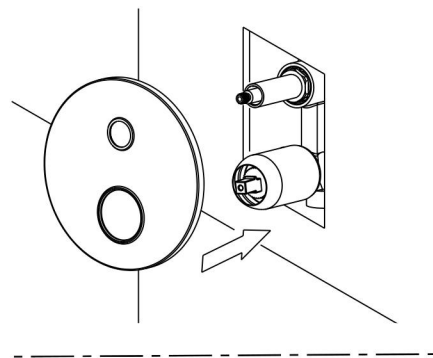
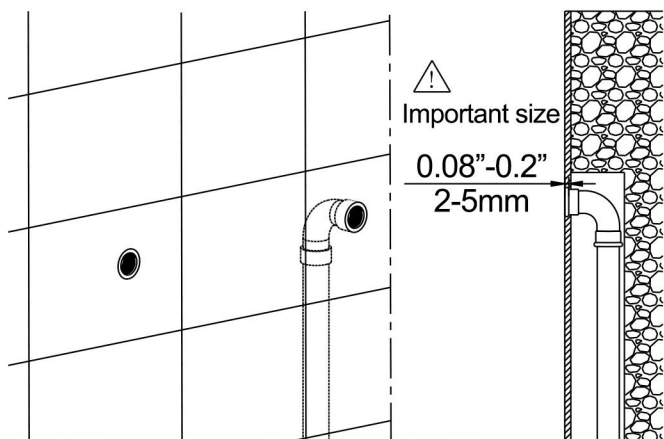
1. Dig pipe grooves for pre-burying pipes.
Unit:inch

2. Install the main body and water inlet pipes.



3. The water outlet is slightly lower than the tile surface.

4. Installation panel, hand wheel and handle.





Service Contact:
+1(801) 800-9309
services@rbrohant.com

Made in China