

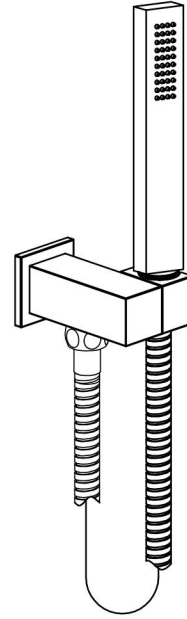
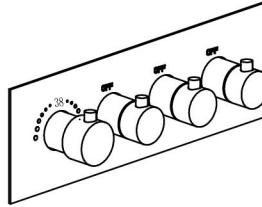
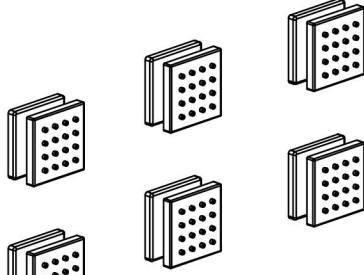
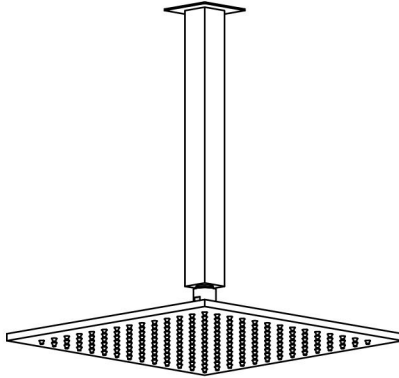


User's Manual



INSTALLATION INSTRUCTIONS

Installation Manual



RB0807

IAPMO RESEARCH AND TESTING, INC.
5001 East Philadelphia Street, Ontario, California 91761-2816 • USA • 909-472-4100 • 909-472-4244 • www.iapmotort.org





CERTIFICATE OF LISTING

IAPMO Research and Testing, Inc. is a product certification body which tests and inspects samples taken from the supplier's stock or from the market or a combination of both to verify compliance to the requirements of applicable codes and standards. This activity is coupled with periodic surveillance of the manufacturer's production process, including an annual unannounced factory audit, to ensure the approval of the Product Certification Committee, or any successor thereof, and to be listed in the IAPMO Research and Testing, Inc. Product Listing Directory. This listing is subject to the conditions set forth in the applicable listing rules and shall not be construed as any recommendation, assurance or guarantee by IAPMO Research and Testing, Inc. of the product except as Authorized Listing Jurisdiction.

This certificate is not evidence of current listing. To verify listing status, visit the IAPMO R&T Product Listing Directory at pld.iapmo.org

Effective Date: December 2019 **Rev.:** 2/24/2020 **Void After:** December 2024

Product: Flexible Water Connectors **File No.:** 5111

Issued To: Fanaki Group Inc.,
Mechanical & Electrical
Industrial Zone,
Yuhuan County,
Yuhuan, 317400, ZHEJIANG,
China


Identification: Products shall be marked with manufacturer's name or trademark, a statement "For use with water in accessible locations only." The product shall also bear the cUPC® certification mark. Markings shall be by means of either a permanent mark on the product, a label on the product or a tag attached to the product.

Characteristics: Flexible water connectors manufactured in various sizes, lengths and metal and fittings for hot or cold water applications that consist of an inner tube, which may or may not have an outer braided cover. Connectors are to be installed for use in accessible locations only. To be installed in accordance with the manufacturer's instruction, and the latest edition of the Uniform Plumbing Code and National Plumbing Code of Canada.

Products listed on this certificate have been tested by an IAPMO R&T recognized laboratory. This recognition has been granted based upon the


Chairman, Product Certification Committee


CEO, The IAPMO Group



This listing is based upon the test data on the results indicated on the Effective Date and Void After Date shown above. Any change in material, manufacturing process, marking or design without notifying the approval of the Product Certification Committee, or any successor thereof, shall constitute a violation of the listing rules and shall not be construed as any recommendation, assurance or guarantee by IAPMO Research and Testing, Inc. of the product except as Authorized Listing Jurisdiction. This document shall be reproduced in its entirety.

IAPMO RESEARCH AND TESTING, INC.
5001 East Philadelphia Street, Ontario, California 91761-2816 • USA • 909-472-4100 • 909-472-4244 • www.iapmotort.org





CERTIFICATE OF LISTING

IAPMO Research and Testing, Inc. is a product certification body which tests and inspects samples taken from the supplier's stock or from the market or a combination of both to verify compliance to the requirements of applicable codes and standards. This activity is coupled with periodic surveillance of the manufacturer's production process, including an annual unannounced factory audit, to ensure the approval of the Product Certification Committee, or any successor thereof, and to be listed in the IAPMO Research and Testing, Inc. Product Listing Directory. This listing is subject to the conditions set forth in the applicable listing rules and shall not be construed as any recommendation, assurance or guarantee by IAPMO Research and Testing, Inc. of the product except as Authorized Listing Jurisdiction.

This certificate is not evidence of current listing. To verify listing status, visit the IAPMO R&T Product Listing Directory at pld.iapmo.org

Effective Date: November 2019 **Void After:** November 2024

Product: Plumbing Fixture Fittings **File No.:** 10633

Issued To: Aqua Gallery Co., Ltd
13th-15th AIO Block
International Dynamics
Sanitary City, 528000
Foshan,
China

Identification: Plumbing supply fittings complying with this Standard shall be marked with the manufacturer's recognized name, trademark, or other mark or, in the case of private labeling, the name, trademark or other mark of the customer for whom the fitting was manufactured. The marking shall be accomplished by use of a permanent mark or by placing a permanent label on the product. Markings on plumbing supply fittings shall be visible after installation.

Characteristics: Single-handle, single-control, and automatic compensating mixing bath and shower valves shall have identifiable temperature control settings in which the settings are indicated by words ("cold", "warm", "hot", etc.), by numbers, or graphically.

Package shall be marked with the manufacturer's name, trademark, or other mark as well as the model number or, in the case of private


Chairman, Product Certification Committee



CEO, The IAPMO Group



This listing is based upon the test data on the results indicated on the Effective Date and Void After Date shown above. Any change in material, manufacturing process, marking or design without notifying the approval of the Product Certification Committee, or any successor thereof, shall constitute a violation of the listing rules and shall not be construed as any recommendation, assurance or guarantee by IAPMO Research and Testing, Inc. of the product except as Authorized Listing Jurisdiction. This document shall be reproduced in its entirety.

IAPMO RESEARCH AND TESTING, INC.
5001 East Philadelphia Street, Ontario, California 91761-2816 • USA • 909-472-4100 • 909-472-4244 • www.iapmotort.org





CERTIFICATE OF LISTING

IAPMO Research and Testing, Inc. is a product certification body which tests and inspects samples taken from the supplier's stock or from the market or a combination of both to verify compliance to the requirements of applicable codes and standards. This activity is coupled with periodic surveillance of the manufacturer's production process, including an annual unannounced factory audit, to ensure the approval of the Product Certification Committee, or any successor thereof, and to be listed in the IAPMO Research and Testing, Inc. Product Listing Directory. This listing is subject to the conditions set forth in the applicable listing rules and shall not be construed as any recommendation, assurance or guarantee by IAPMO Research and Testing, Inc. of the product except as Authorized Listing Jurisdiction.

This certificate is not evidence of current listing. To verify listing status, visit the IAPMO R&T Product Listing Directory at pld.iapmo.org

Effective Date: March 2019 **Void After:** March 2024

Product: Plumbing Fixture Fittings - Components **File No.:** MC-9703

Issued To: Ningbo Hantai Cartridge Technology Co., Ltd.
Lishen Zone, Chunhui
Fengpu, HINGBO 315518
China

Identification: Each fitting component shall bear permanent legible markings to identify the manufacturer. This marking shall be the trade name, trademark, or other mark known to identify the manufacturer. The product shall also bear all other markings required by the standards. The marking shall be applied so as to be visible after installation. The product or packaging shall also bear the cUPC® certification mark along with the term "COMPONENT" above.

Characteristics: Plumbing fixture fitting components to be installed in accordance with the manufacturer's instructions and the requirements of the latest edition of the Uniform Plumbing Code.

Products listed on this certificate have been tested by an IAPMO R&T recognized laboratory. This recognition has been granted based upon the Laboratory's compliance to the applicable requirements of ISO/IEC 17025.

Products are in compliance with the following code(s):
Uniform Plumbing Code (UPC®)


Chairman, Product Certification Committee


CEO, The IAPMO Group



This listing is based upon the test data on the results indicated on the Effective Date and Void After Date shown above. Any change in material, manufacturing process, marking or design without notifying the approval of the Product Certification Committee, or any successor thereof, shall constitute a violation of the listing rules and shall not be construed as any recommendation, assurance or guarantee by IAPMO Research and Testing, Inc. of the product except as Authorized Listing Jurisdiction. This document shall be reproduced in its entirety.

INSTALLATION STEPS

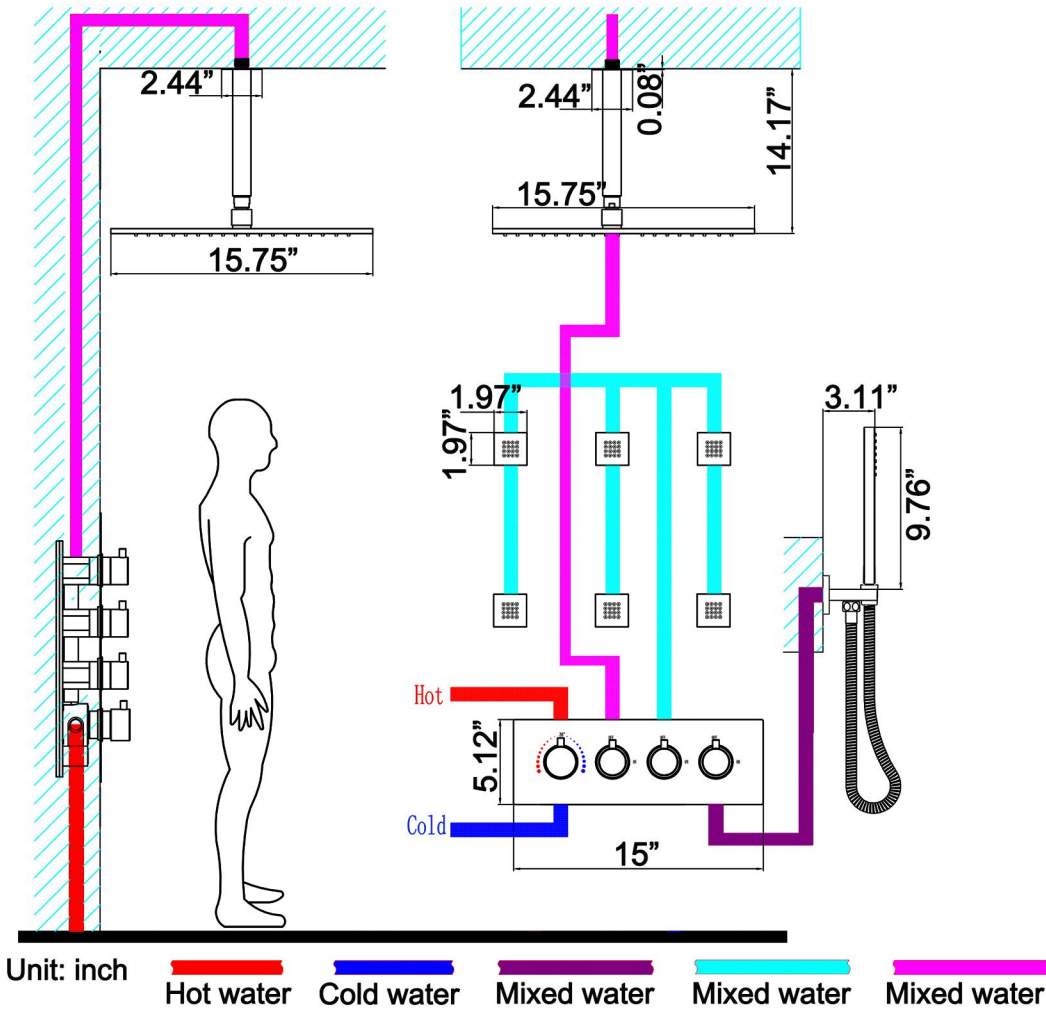
This product has been inspected and debugged by the factory to the best condition. Please do not disassemble and assemble it yourself.



Before installing the product, please be sure to remove sundries and sludge from the water pipe to prevent sundries from blocking the product.

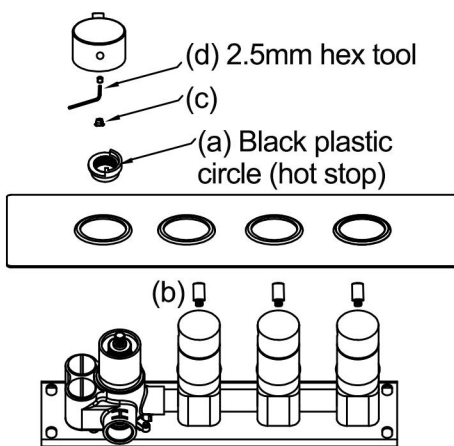


WATER PIPE INSTALLATION GUIDE

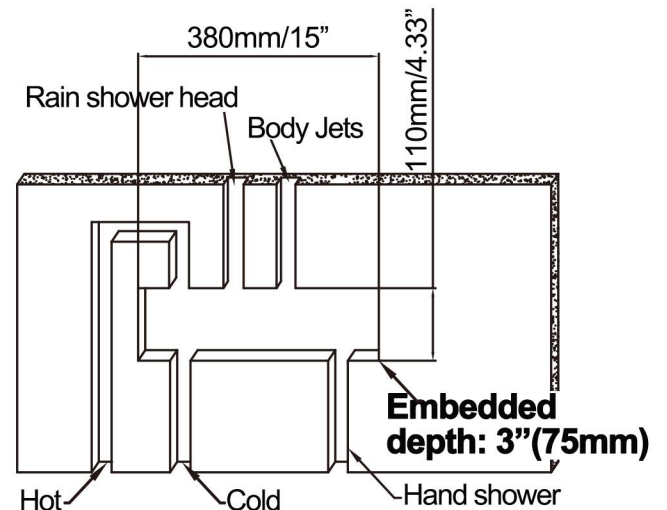


1. Insatallation Steps of Valve Body

1). Release the top 3 handwheel levers (b) counter-clockwise by hand to take off the knobs. Next take out the hole plug (c) at the bottom of temperature handle, then use 2.5mm hex tool to release the screw (d) to take off hand cover. Remove and keep the black plastic circle (a) till the final finish of installation and temperature adjustment.

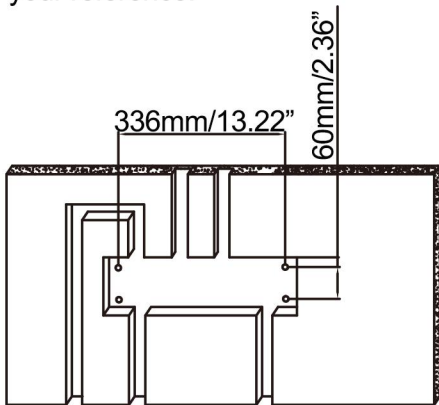


2). Turn off the water supply. Determine pipe length and depth. Set up the water lines, properly based on the actual condition. The above diagram for plumber reference (Must pay attention-left is hot, right is cold.)

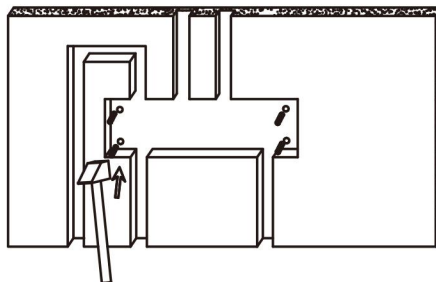


INSTALLATION STEPS

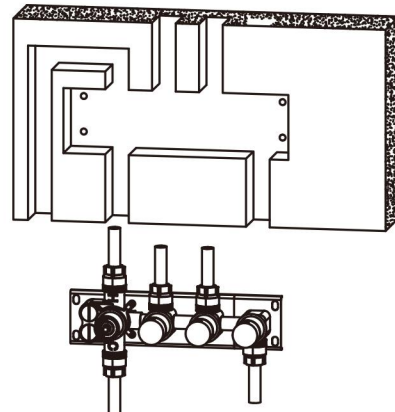
3). Drill 4 positioning holes for the valve body. The above diagram for your reference.



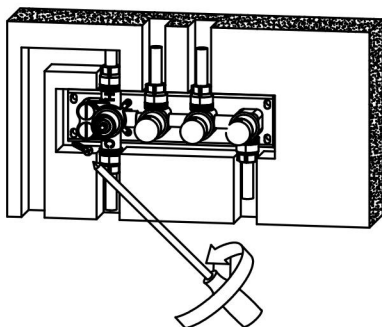
4). Hammer the 4 expansion screws into the holes.



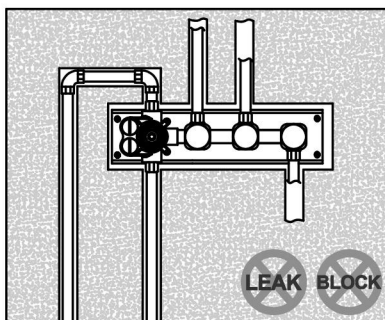
5). Fix the valve body with 4 positioning screws.



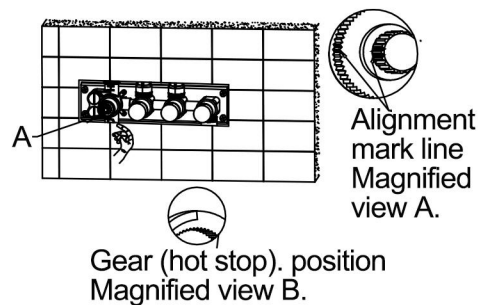
6). Use copper sleeve wrench to tighten the screws.



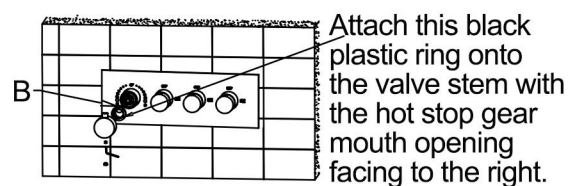
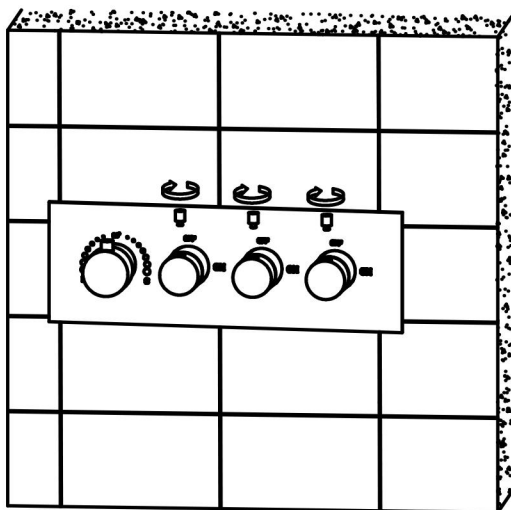
7). Connect the hot/cold inlets and outlets properly. Open the water supply to check and test, ensure there is no leakage or blockage at each connection.



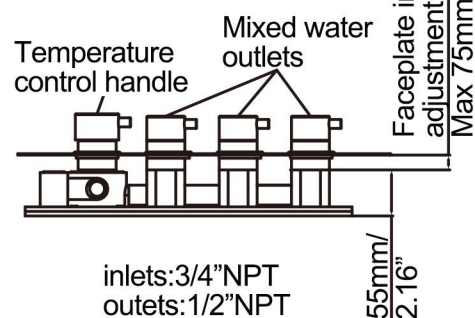
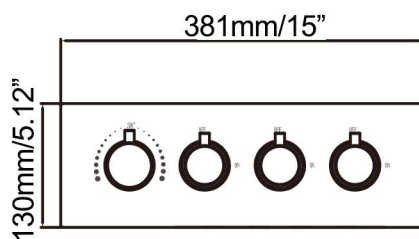
8). Temperature setting check.
 ① Rotate the valve core clockwise or counterclockwise by hand to align the 2 marks on the valve core teeth (enlarged view A);
 ② Attach the black gear ring on the valve core as picture directions; (enlarged view B). ③ Install the handle and plug as picture shows.



9). Screw the handwheel into the handles.



Please take accurate measurement according to the actual installation. Diagram only for your reference.



Faceplate installation adjustment distance
Max 75mm/2.95\"/>

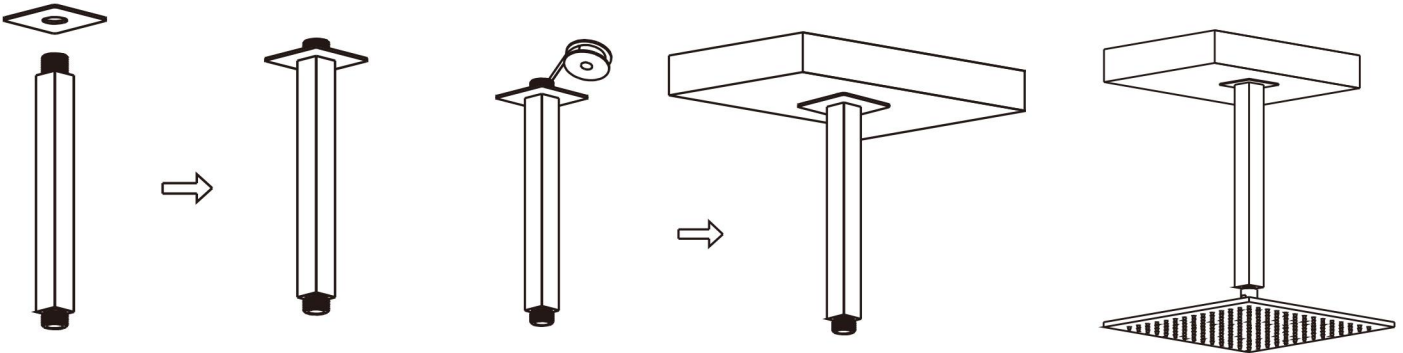
INSTALLATION STEPS

2. Installation Steps of Rain shower

1). Attach the cover plate to the longer tail of the shower arm.

2). Wrap shower arm longer thread with Teflon tape; then tighten it clockwise on the water outlet connector on the ceiling.

3). Screw the shower head clockwise onto the lower end of the shower pipe.

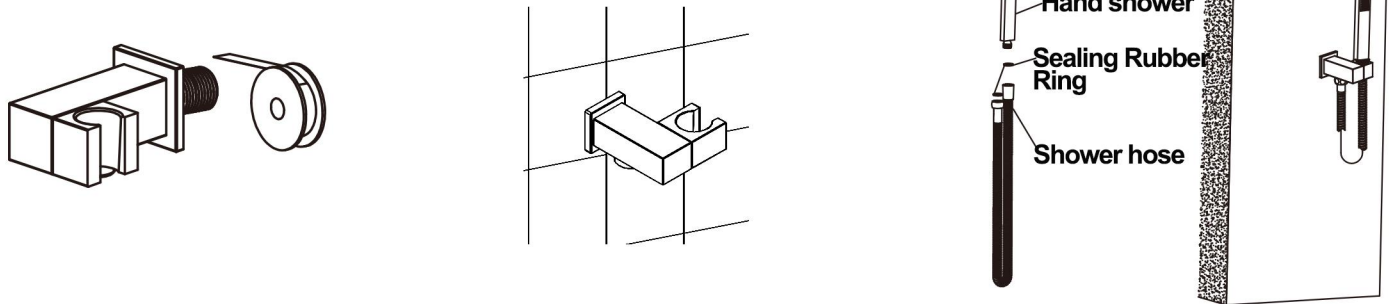


3. Installation Steps of Hand Shower

1). Wrap supply elbow thread with Teflon tape and attach cover plate to it.

2). Install the shower holder on the water inlet and tighten it clockwise.

3). Connect the hand shower with the shower holder with the shower hose.

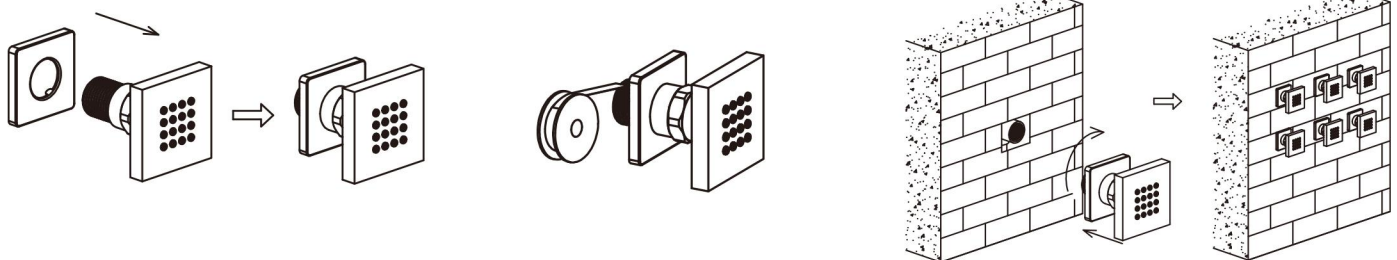


4. Installation Steps of Body Jets.

1). Attach the cover plate to body jets.

2). Apply Teflon tape to threaded tail of the body jets.

3). Use a wrench to screw the jet heads clockwise into the body spray outlets.



CLEANING CARE

In order to keep the appearance of product clean, bright and good performance, please take care of the product as follows;

1. Rinse with water only and dry with soft cotton cloth;
2. Use mild liquid and colorless glass cleaner to remove surface dirt and scale film, or use polish without abrasive effect;
3. Do not use abrasive detergent, polish, emery cloth, paper towel or scraper, etc;
4. Do not use acid cleaner, or cleaner and soap with insoluble gran etc;
5. In the process of use, mud may accumulate in the bubbler and make the water flow slow, The bubbler can be unscrewed, rinsed with water, and then installed back in place.



Please feel free to contact us if you have any questions. We will help to solve the issue together with you. OUR EMAIL: services@rbrohant.com



Service Contact:
+1(801) 800-9309
services@rbrohant.com

Made in China