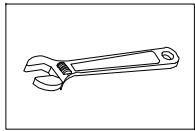
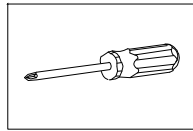


Pull-out Kitchen Faucet Installation

INSTALLATION MANUAL Tools You will need



Adjustable Wrench



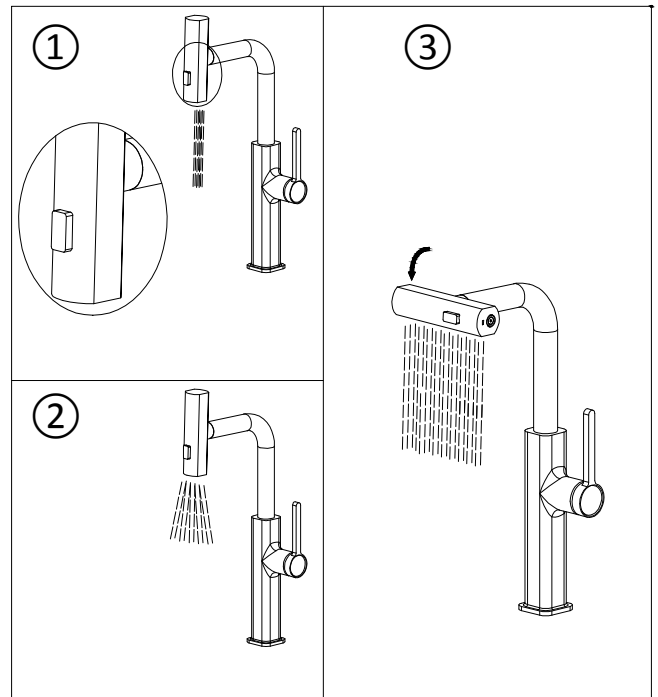
Philips Screwdriver

Before the Installation

1. Check the package and confirm all parts are included. If any part is missing or damaged, please contact us.
2. Do not disassemble the main body, as it has been installed & commissioned correctly & precisely before leaving the factory.
3. Shut off the main water supply prior to beginning installation.
4. Do flush the water supply lines to remove any dirt and debris before installation (**IMPORTANT**).
5. Make sure to connect the hot/cold inlet pipe correctly. If standing in front, connect hot water pipe to the left and cold water pipe to the right.
6. After the installation, check for leaks and make sure every joint is safely sealed.

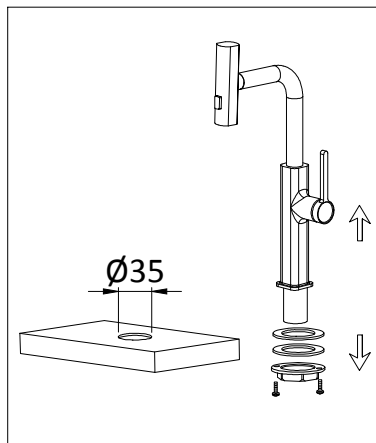
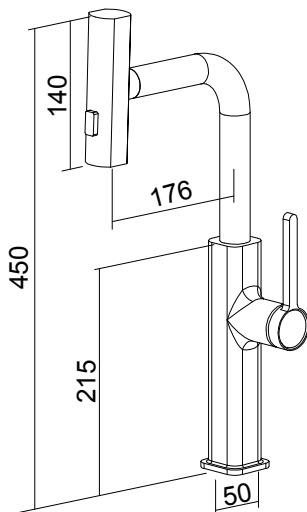
Cleaning and Maintenance

1. Rinse with clean water and dry with a soft cloth.
2. Do not use any detergent, acid, polisher, abrasives, or harsh cleaners.
3. Do not use cloth with a coarse surface.

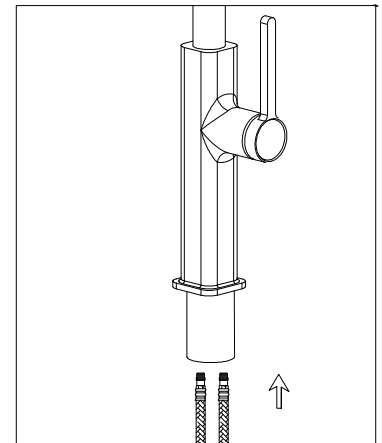


Water outlet mode:

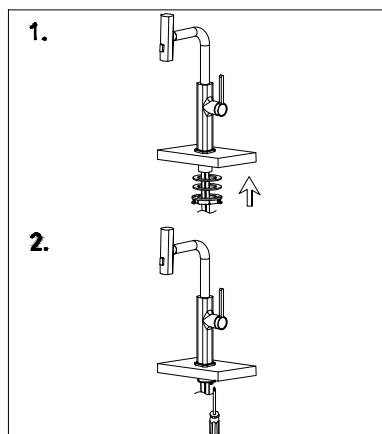
- ① By default, the column is out of water;
- ② Press and hold the button at the nozzle, slice water;
- ③ Rotate the nozzle 90° counterclockwise to water the rain waterfall



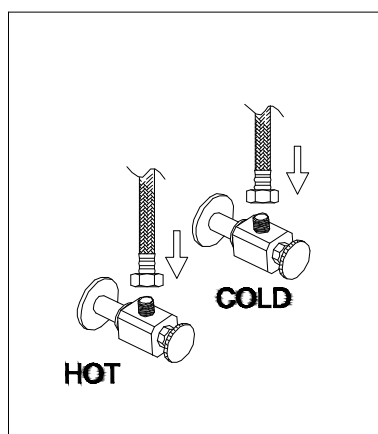
1. Hole: Ø35mm, Remove the rubber washer, metal washer and locking nut from the faucet.



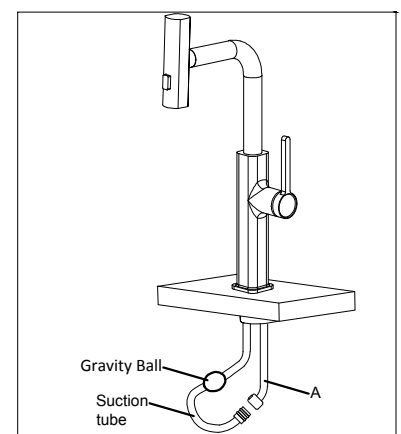
2. Screw and hand tighten the hot and cold flexible hoses to the faucet. **DO NOT** use a wrench to tighten hoses as this may damage the hose and/or the hose threads.



3. Re-install the rubber washer followed by the metal washer and lock-nut. Hand tighten then tighten further using a screw driver to tighten lock-nut screws.



4. Attach flexible hose to water supply.



5. Fix the gravity ball in the appropriate position of the suction tube, and connect the suction tube to the outlet pipe (A).