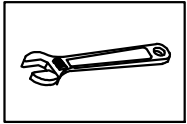
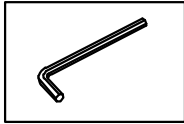


Wall Mounted Basin Faucet Installation

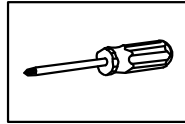
INSTALLATION MANUAL Tools You will need



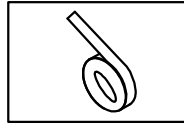
Adjustable Wrench



Allen key



Philips Screwdriver



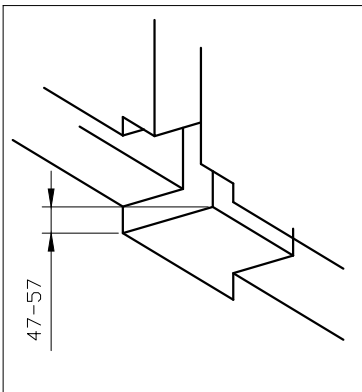
Teflon Tape

Before the Installation

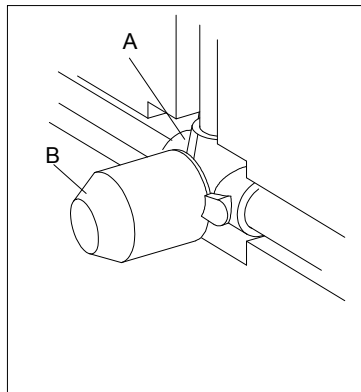
1. Check the package and confirm all parts are included. If any part is missing or damaged, please contact us.
2. Do not disassemble the main body, as it has been installed & commissioned correctly & precisely before leaving the factory.
3. Shut off the main water supply prior to beginning installation.
4. Do flush the water supply lines to remove any dirt and debris before installation (**IMPORTANT**).
5. Make sure to connect the hot/cold inlet pipe correctly. If standing in front, connect hot water pipe to the left and cold water pipe to the right.
6. After the installation, check for leaks and make sure every joint is safely sealed.

Cleaning and Maintenance

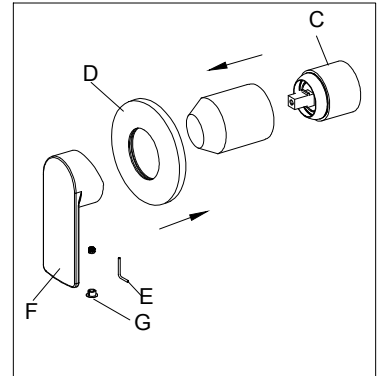
1. Rinse with clean water and dry with a soft cloth.
2. Do not use any detergent, acid, polisher, abrasives, or harsh cleaners.
3. Do not use cloth with a coarse surface.



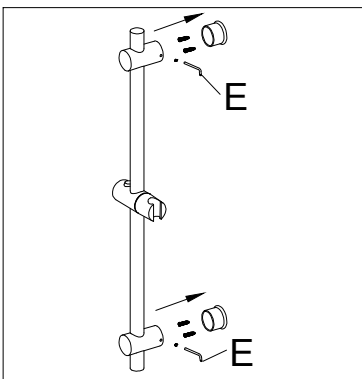
1. Holes size for the built in control valve: 130*85*(47-57), the depth between the bottom of the control valve to the tile surface is 47-57MM



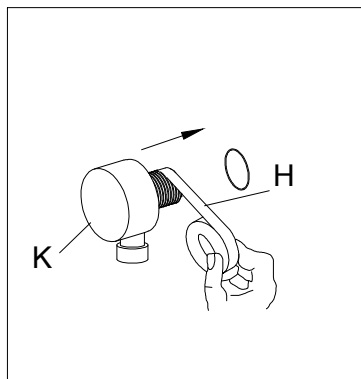
2. Use the tape on pipe threads, connected to the main body (A) cold and hot as required inlet pipe and outlet pipe, checking the leakage before fixing the main body in the embedded hole (keep the horizontal and vertical). And assembling the protection plastic cover (B).



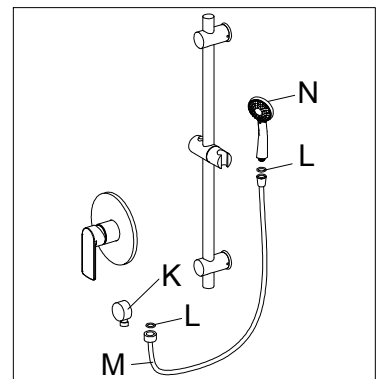
3. Remove the plastic cover (D) and then put the base through the cartridge cover (C), use Allen key (E) and the hexagon socket screw to assemble the handle (F) to the body, and then put on the decorative button (G).



4. Use the hexagonal key (E) to install the seat with the lift bar removed, according to the appropriate height with the cross-screw installation seat fixed on the wall, and then the lift rod into the wall installation seat, tighten the screw fixed.



5. Wrap nylon tape around the screw thread at the end of shower seat, screw the shower seat (K) into the water outlet hole reserved on the wall and tighten.



6. Add rubber washers (L) at both ends of the shower hose (M). Connect shower hose (M) to the wall supply holder (K) and hand shower (N). Then, place the hand shower (N) to the wall supply holder (L).