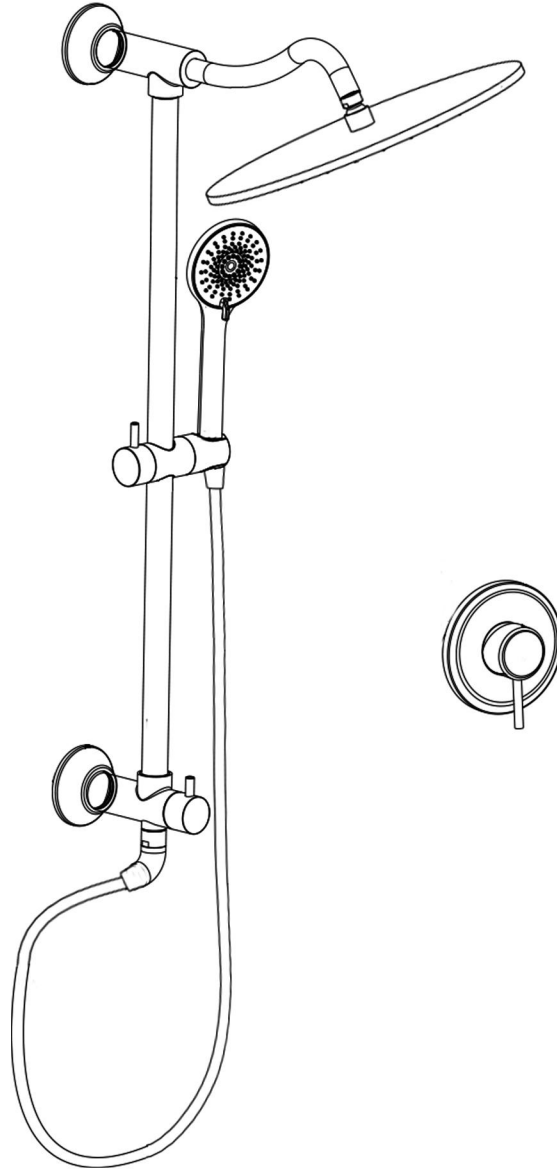


# User's Manual



# INSTALLATION INSTRUCTIONS

## Installation Manual



**IAPMO RESEARCH AND TESTING, INC.**  
5001 East Philadelphia Street, Ontario, California 91761-2816 • USA • 909-472-4100 • 909-472-4244 • www.iapmort.org

**CERTIFICATE OF LISTING**

 IAPMO Research and Testing, Inc. is a product certification body which tests and inspects samples taken from the supplier's stock or from the market or a combination of both to verify compliance to the requirements of applicable codes and standards. This activity is coupled with periodic surveillance of the supplier's factory and operations as well as the assessment of the supplier's Quality Assurance System. This listing is subject to the conditions set forth in the characteristics below and it is to be understood as no recommendation, assurance or guarantee by IAPMO Research and Testing, Inc. of the product except as by the characteristics below.

This certificate is not evidence of current listing. To verify listing status, visit the IAPMO R&T Product Listing Directory at [pid.iapmo.org](http://pid.iapmo.org)

Effective Date: December 2019 -Rev. 2/24/2020- Void After: December 2024  
Product: Flexible Water Connectors File No. 5111  
Issued To: Fanaki Group Inc.  
Mechanical & Electrical  
Industrial Zone,  
Yuhuan County,  
Yuhuan 317400, ZHEJIANG  
China

Identification: Products shall be marked with manufacturer's name or trademark, a statement "For use with water in accessible locations only." The product shall also bear the cUPC® certification mark. Markings shall be by means of either a permanent mark on the product, a label on the product or a tag attached to the product.

Characteristics: Flexible water connectors manufactured in various sizes, lengths and metal and fittings for hot or cold water applications that consist of an inner tube, which may or may not have an outer braided cover. Connectors are to be installed for use in accessible locations only. To be installed in accordance with the manufacturer's instruction, and the latest edition of the Uniform Plumbing Code and National Plumbing Code of Canada.

Products listed on this certificate have been tested by an IAPMO R&T recognized laboratory. This recognition has been granted based upon the

   
Chairman, Product Certification Committee CEO, The IAPMO Group

This listing is based upon the test data of the results indicated on the Effective Date and Void After Date shown above. Any change in material, manufacturing process, marking or design without notifying first obtained the approval of the Product Certification Committee, or any extension of manufacturing, shall require a new test and certification. This listing is subject to the conditions set forth in the characteristics below and it is to be understood as no recommendation, assurance or guarantee by IAPMO Research and Testing, Inc. of the product except as by the characteristics below.

Product of or reference to this form for advertising purposes may be made only by specific, written permission of IAPMO Research and Testing, Inc. Any alteration of this certificate could be grounds for revocation of this listing. This document shall be reproduced in its entirety.



**IAPMO RESEARCH AND TESTING, INC.**  
5001 East Philadelphia Street, Ontario, California 91761-2816 • USA • 909-472-4100 • 909-472-4244 • www.iapmort.org

**CERTIFICATE OF LISTING**

 IAPMO Research and Testing, Inc. is a product certification body which tests and inspects samples taken from the supplier's stock or from the market or a combination of both to verify compliance to the requirements of applicable codes and standards. This activity is coupled with periodic surveillance of the supplier's factory and operations as well as the assessment of the supplier's Quality Assurance System. This listing is subject to the conditions set forth in the characteristics below and it is to be understood as no recommendation, assurance or guarantee by IAPMO Research and Testing, Inc. of the product except as by the characteristics below.

This certificate is not evidence of current listing. To verify listing status, visit the IAPMO R&T Product Listing Directory at [pid.iapmo.org](http://pid.iapmo.org)

Effective Date: November 2019 Void After: November 2024  
Product: Plumbing Fixture Fittings File No. 10613  
Issued To: Aqua Gallery Co., Ltd  
13th-15th A10 Block  
International Chemical  
Sanitary City, 528000  
Foshan,  
China

Identification: Plumbing supply fittings complying with this Standard shall be marked with the manufacturer's recognized name, trademark, or other mark or, in the case of private labeling, the name, trademark or other mark of the customer for whom the fitting was manufactured. The marking shall be accomplished by use of a permanent mark or by placing a permanent label on the product. Markings on plumbing supply fittings shall be visible after installation.

Single-handle, single-control, and automatic compensating mixing bath and shower valves shall have identifiable temperature control settings in which the settings are indicated by words ("cold", "warm", "hot", etc.), by numbers, or graphically.

Packages shall be marked with the manufacturer's name, trademark, or other mark as well as the model number or, in the case of private

   
Chairman, Product Certification Committee CEO, The IAPMO Group

This listing is based upon the test data of the results indicated on the Effective Date and Void After Date shown above. Any change in material, manufacturing process, marking or design without notifying first obtained the approval of the Product Certification Committee, or any extension of manufacturing, shall require a new test and certification. This listing is subject to the conditions set forth in the characteristics below and it is to be understood as no recommendation, assurance or guarantee by IAPMO Research and Testing, Inc. of the product except as by the characteristics below.

Product of or reference to this form for advertising purposes may be made only by specific, written permission of IAPMO Research and Testing, Inc. Any alteration of this certificate could be grounds for revocation of this listing. This document shall be reproduced in its entirety.



**IAPMO RESEARCH AND TESTING, INC.**  
5001 East Philadelphia Street, Ontario, California 91761-2816 • USA • 909-472-4100 • 909-472-4244 • www.iapmort.org

**CERTIFICATE OF LISTING**

 IAPMO Research and Testing, Inc. is a product certification body which tests and inspects samples taken from the supplier's stock or from the market or a combination of both to verify compliance to the requirements of applicable codes and standards. This activity is coupled with periodic surveillance of the supplier's factory and operations as well as the assessment of the supplier's Quality Assurance System. This listing is subject to the conditions set forth in the characteristics below and it is to be understood as no recommendation, assurance or guarantee by IAPMO Research and Testing, Inc. of the product except as by the characteristics below.

This certificate is not evidence of current listing. To verify listing status, visit the IAPMO R&T Product Listing Directory at [pid.iapmo.org](http://pid.iapmo.org)

Effective Date: March 2019 Void After: March 2024  
Product: Plumbing Fixture Fittings - Components File No. MC-9703  
Issued To: Ningbo Nantai Cartridge Technology Co., Ltd.  
Lincheng Zone, Chunhui  
Fengpu, JIANGSU 215518  
China

Identification: Each fitting component shall bear permanent legible markings to identify the manufacturer. This marking shall be the trade name, trademark, or other mark known to identify the manufacturer. The product shall also bear all other markings required by the standards. The marking shall be applied so as to be visible after installation. The product or packaging shall also bear the cUPC® certification mark along with the term "COMPONENT" above.

Characteristics: Plumbing fixture fitting components to be installed in accordance with the manufacturer's instructions and the requirements of the latest edition of the Uniform Plumbing Code.

Products listed on this certificate have been tested by an IAPMO R&T recognized laboratory. This recognition has been granted based upon the Laboratory's compliance to the applicable requirements of ISO/IEC 17025.

Products are in compliance with the following code(s):  
Uniform Plumbing Code (UPC®)

   
Chairman, Product Certification Committee CEO, The IAPMO Group

This listing is based upon the test data of the results indicated on the Effective Date and Void After Date shown above. Any change in material, manufacturing process, marking or design without notifying first obtained the approval of the Product Certification Committee, or any extension of manufacturing, shall require a new test and certification. This listing is subject to the conditions set forth in the characteristics below and it is to be understood as no recommendation, assurance or guarantee by IAPMO Research and Testing, Inc. of the product except as by the characteristics below.

Product of or reference to this form for advertising purposes may be made only by specific, written permission of IAPMO Research and Testing, Inc. Any alteration of this certificate could be grounds for revocation of this listing. This document shall be reproduced in its entirety.



# TABLE OF CONTENTS

Thank you for choosing our sanitary ware products. This product will serve your health wholeheartedly and make your life more comfortable, more perfect and more fashionable. Please read the installation manual carefully before installation and use.

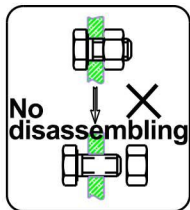
This manual applies to the installation and use of all similar products. Part of functional structures of the product are subject to change without notice. Subject to the actual sample, the final interpretation right belongs to the company.

## Table of Contents

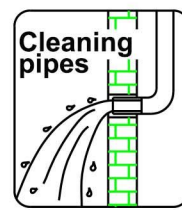
1.	Installation Environment	... .. 1
2.	Installation Aids	... .. 1
3.	Parts List	... .. 1-2
4.	Installation Size	... .. 3
5.	Size of Main Embedded Box	... .. 4
6.	Installation Method	... .. 5
7.	Installation steps of valve body	... .. 6
8.	Installation Precautions	... .. 7
9.	Test Method	... .. 7
10.	Cleaning Care	... .. 8

# INSTALLATION ENVIRONMENT

This product has been inspected and debugged by the factory to the best condition. Please do not disassemble and assemble it yourself.



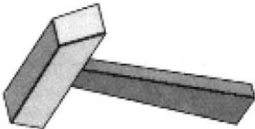
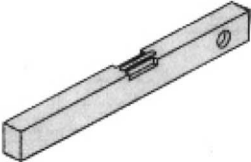

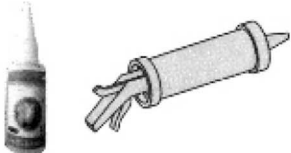

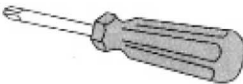
Before installing the product, please be sure to remove sundries and sludge from the water pipe to prevent sundries from blocking the product.



## I .Installation Environment

1. Before installation, confirm whether the inlet pipe and angle valve are correct. Make sure that the installation is completed, and the water has been flushed to ensure that there is no impurities in the water inlet pipe;
2. Water inlet pressure requirements:  $5\text{bar} \geq \text{inlet pressure} \geq 0.5\text{bar}$ , it is recommended to install a pressure reducing valve if it is greater than  $0.05\text{MPa}$ ;
3. When installing and using the faucet, please use normal torque to prevent the handle from breaking.
4. If the customer goes out for a long time or does not use the faucet for a long time, please close the faucet valve and turn on the faucet switch to release the pressure and water in the faucet.

## II .Installation Aids

<p>Hammer</p> 	<p>Spirit level</p> 	<p>Adjustable wrench</p> 
<p>Glue(do not use glue containing acetic acid)</p> 	<p>Impact drill</p> 	<p>Screwdriver</p> 

## III .Parts List

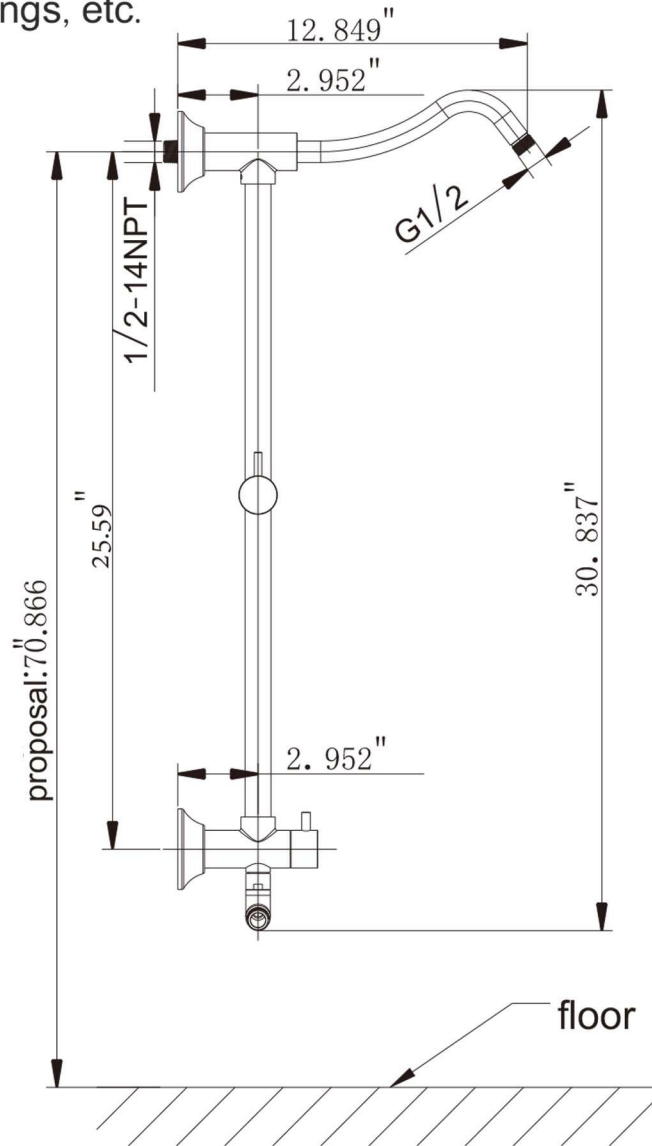
After you unpack the product, please count the accessories with the packing list. If there is a shortage, please contact the dealer immediately. The following figure and table below are for reference only. (Note: The appearance of the product may be different)



# INSTALLATION SIZE

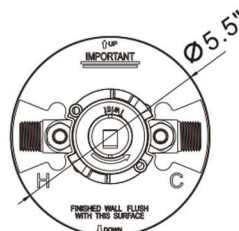
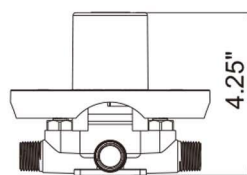
## IV . Installation Size

Before installation, refer to the product installation dimension drawing to determine the installation position. And pre-bury water pipes in the wall; flush the pipes with scrubbing tools and install the faucet to remove mud Sand, copper shavings, etc.

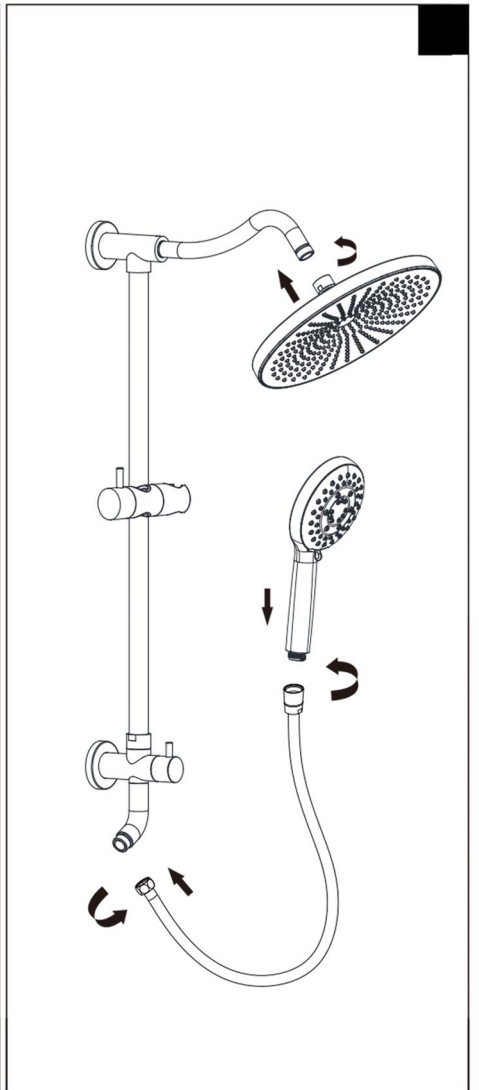
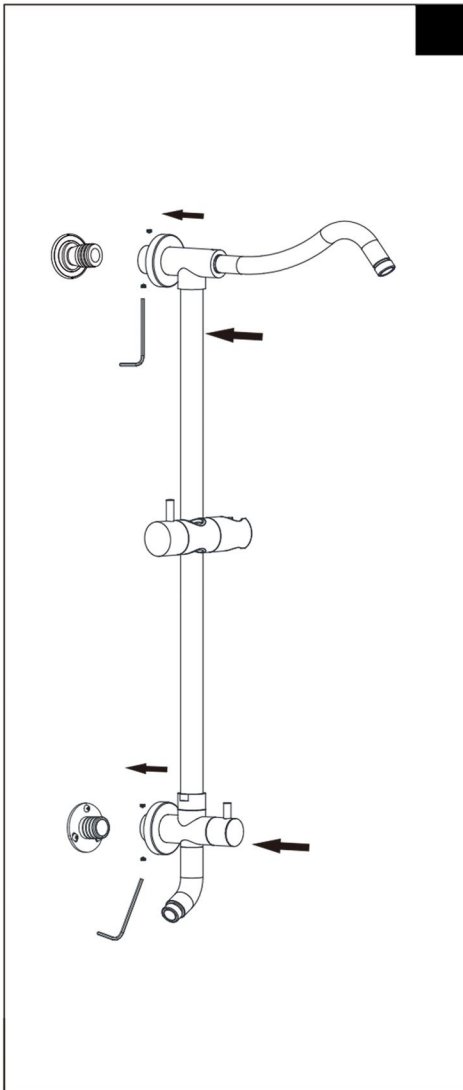
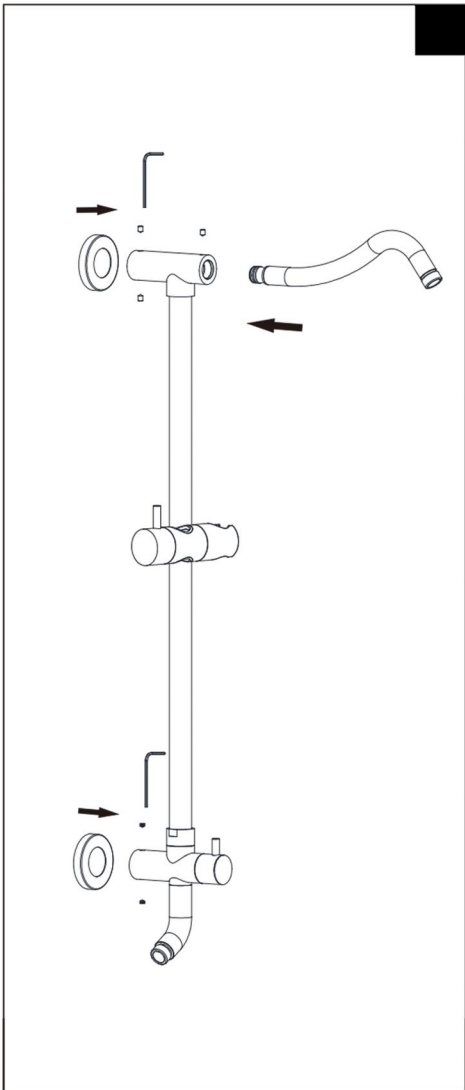
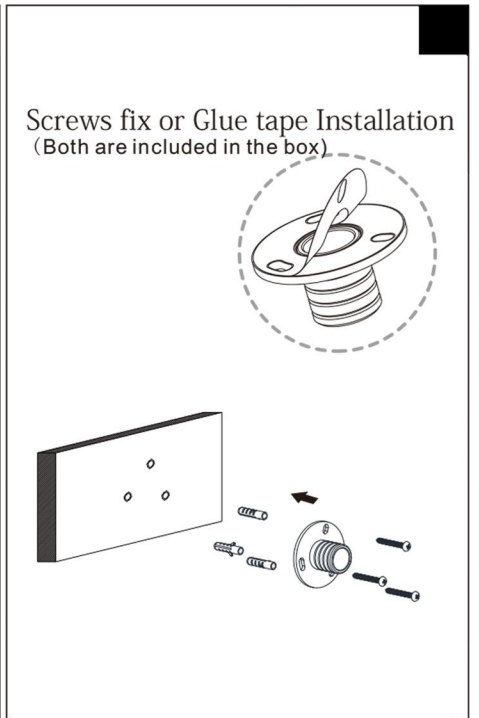
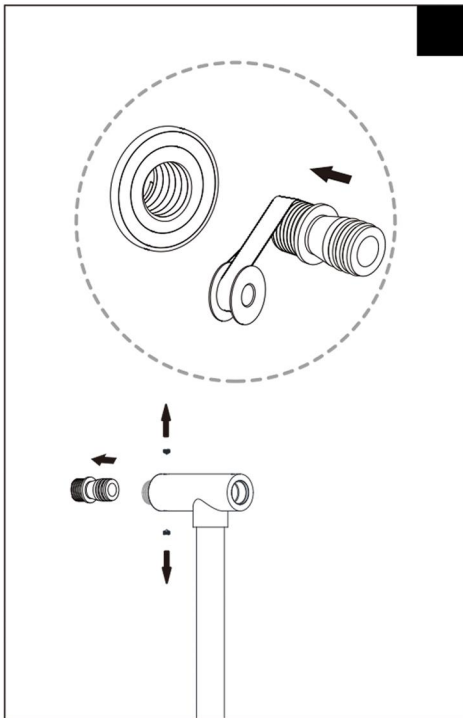
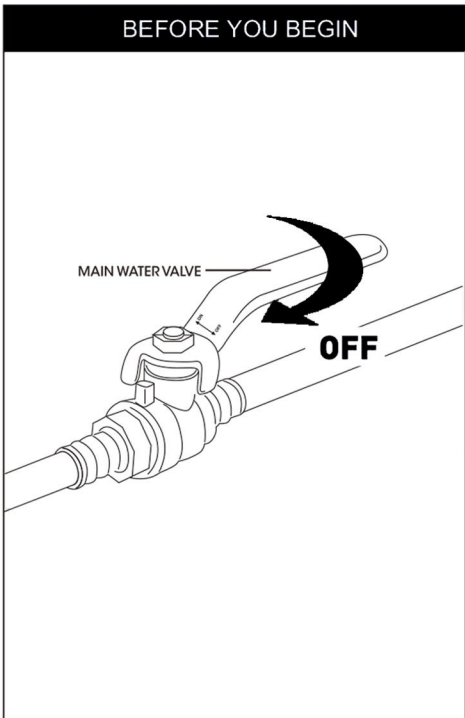


UNIT : in

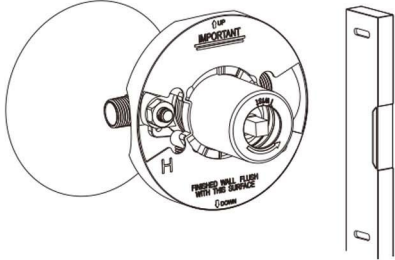
## V . Size of Main Embedded Box



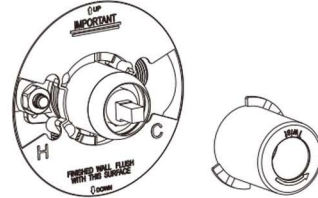
## VI. Installation Method



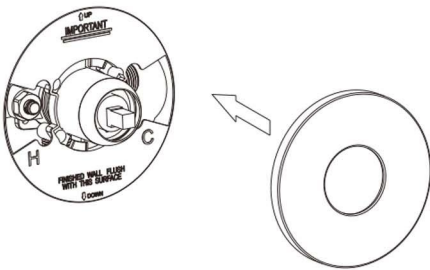
## VII. Installation steps of valve body



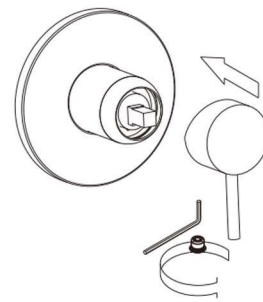
1). Lay wall tiles or other decorative wall, keep the wall level and 90° perpendicular to the embedded box, make the embedded box in the middle of a single tile as far as possible, keep the bottom of the hole flat, adjust the vertical and horizontal of the embedded box, fix the embedded box with screws, and tighten the joint with a hexagonal wrench, and test the water without leakage;



2). Remove the embedded box protection cover;



3). Install the control valve plate, check whether the protective rubber sleeve at the plate hole is off before installation, if there is no protective rubber sleeve, directly install the plate that is easy to scratch;



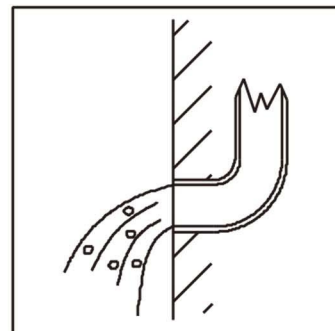
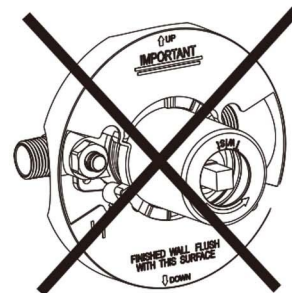
4). Install the switch handle, use a small hexagon wrench clockwise to fix the switch handle on the main valve core of the control valve, and install the decorative cap;



# INSTALLATION PRECAUTIONS

## VIII .Installation Precautions

- 1.Please check the accessories listed in the " Standard Part List" after opening the product package. Check whether the parts are complete, and if there are any defects, please contact the seller immediately.
- 2.Any purchased replacement part must match with the basic installation size of this product.
- 3.The main part of the shower system has been inspected and debugged by the factory, please do not disassemble and assemble by yourself to avoid negative effects on performance.
- 4.Special attention must be paid to the cold and hot water pipes of the body assembly, the left for hot water while the right for cold water. If the connection is wrong, it will be opposite to the "H" and "C" indicator on the handle.
- 5.Before installing the faucet, be sure to remove the impurities and sludge in the embedded water pipe to avoid any blockage and bad effects on the water outlet function.



## IX. Test method

- 1.Turn the faucet handle to the closed position, open the water inlet valve, and check whether there is any leakage at all water inlet ports.
- 2.Open the faucet handle to the maximum, and open the water inlet valve to check whether there is leakage at the water outlet and the sprinkler connection port.
- 3.Operate the reversing valve several times to check the shower water condition and whether there is any leakage outside the connection.
- 4.If the water pressure is lower than 0.05M Pa (it is possible that the faucet drips while the shower sprinkles water, or the faucet reversing valve does not work), a booster pump should be installed in the pipeline.

## X . Cleaning Care

1. To keep the faucet bright and clean, please clean the faucet frequently or regularly.
2. Rinse only with clean water, and dry the faucet with a soft cotton cloth.
3. Do not use detergents containing coarse particles such as decontamination powder or polishing powder, nylon brushes, emery cloth or sandpaper to avoid abrasion of the product.
4. Do not use any acidic cleaning agent, or rough cleaning agent or soap to polish.
5. When the water flow of the faucet is significantly reduced, please clean the filter screen of the shower head and the rubber particle hole of the shower water to avoid affecting the shower water or blocking and bursting. Example: The flow of water out of the shower area is obviously reduced or some rubber particles do not come out. Please scrub the shower rubber particles with your hands or use a sewing needle (toothpicks) to pass through the shower rubber particle holes.

