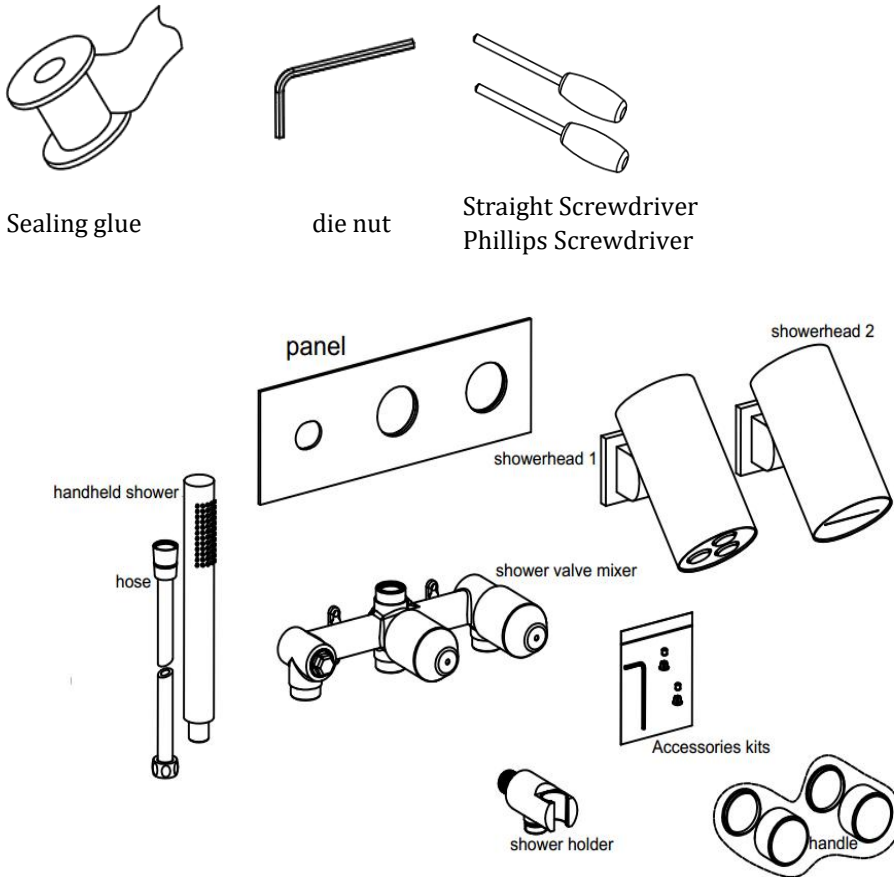


# 6118 Installation instructions(A)

I

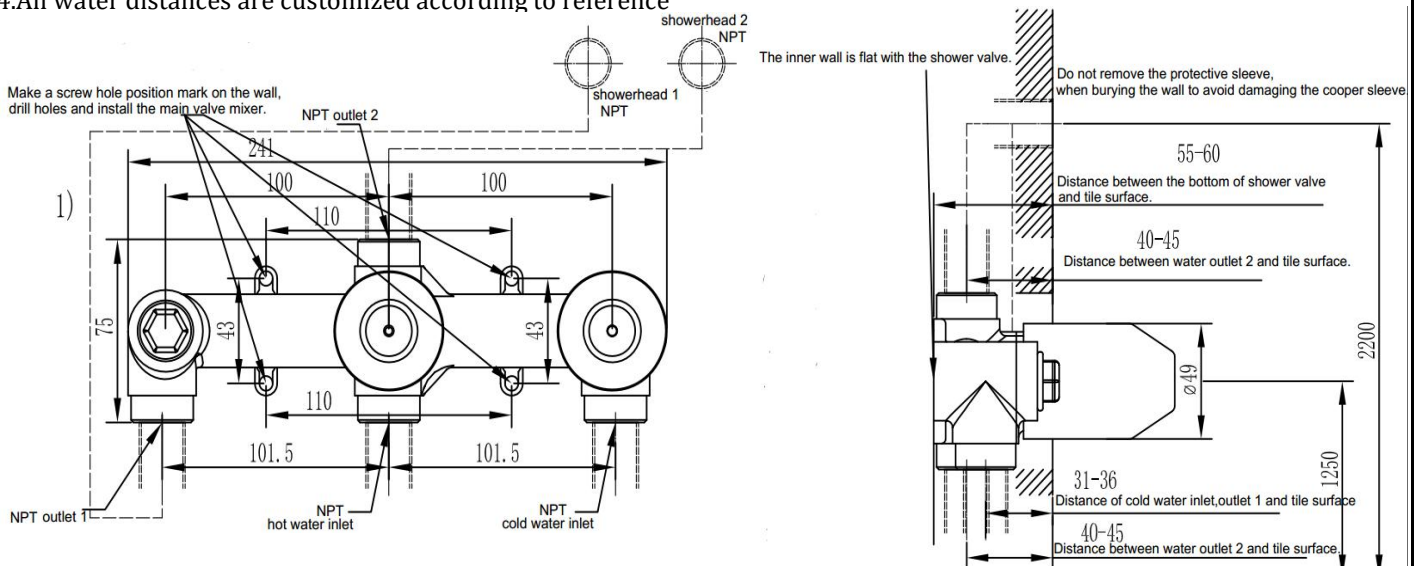
1. Please read the instructions before install.
2. Check the product after opening the package, and the tools required for installation are not included with the supply; please bring your own;
3. The instructions contain precautions for installation, please keep them ;
4. The size chart of the manual is for reference only, please refer to the actual product.

## Recommended tool



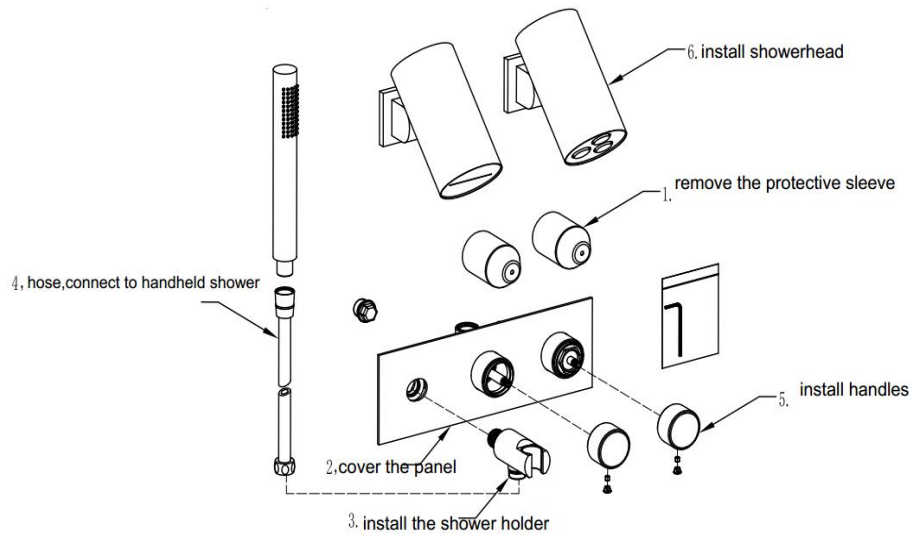
II

1. Installation must be clean at the junction of debris before installation, so as to avoid clogging or leakage.
2. Faucet inlet in correct connection ( left:hot right:cold )
3. The maximum hot water temperature is not higher than 80 °C.
4. All water distances are customized according to reference

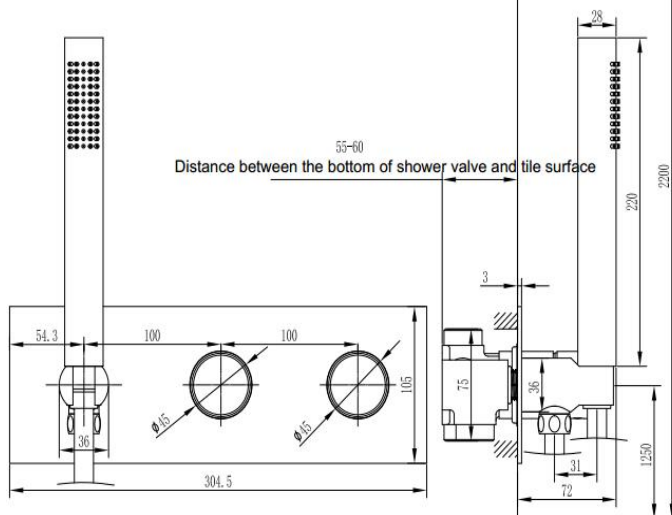
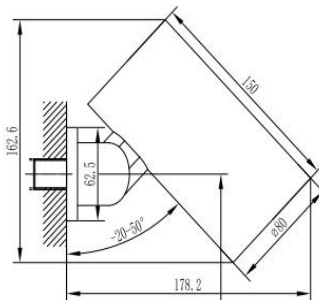
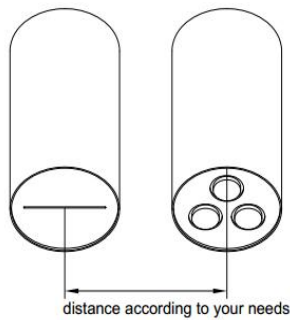
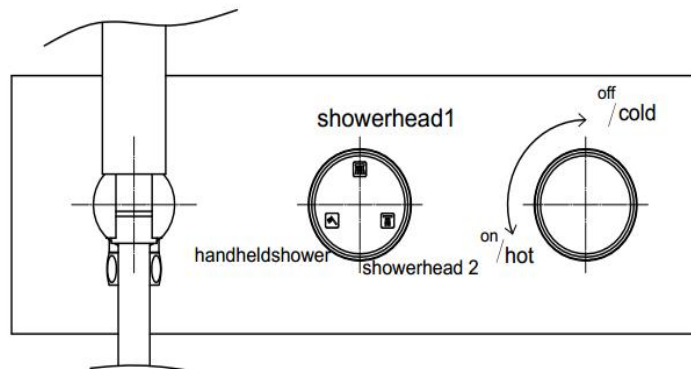


III. After the mixer valve build in wall, please in order to install:

1. Remove the protective cover; 2. Cover the panel,handle parts;3.install handheld shower parts;4.install spout parts and



## 6118 Installation instructions(B)



This picture for your reference only, you can install it according to your own needs.