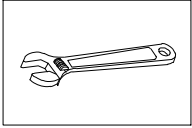
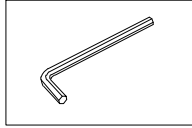


# Wall Mounted Bathtub Faucet Installation

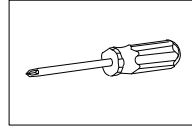
## INSTALLATION MANUAL Tools You will need



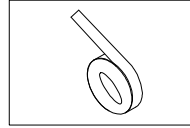
Adjustable Wrench



Allen key



Philips Screwdriver



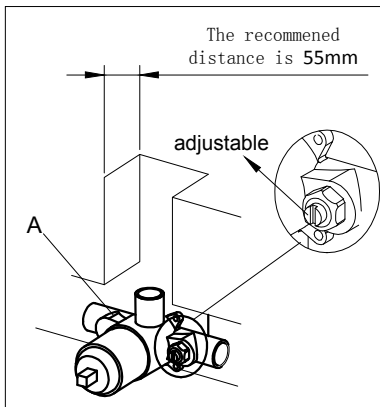
Teflon Tape

### Before the Installation

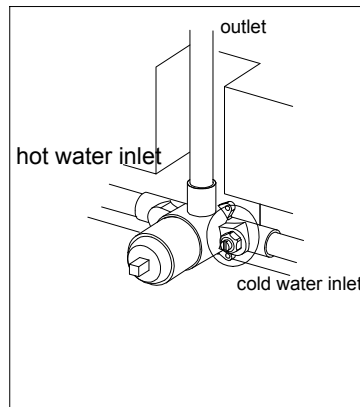
1. Check the package and confirm all parts are included. If any part is missing or damaged, please contact us.
2. Do not disassemble the main body, as it has been installed & commissioned correctly & precisely before leaving the factory.
3. Shut off the main water supply prior to beginning installation.
4. Do flush the water supply lines to remove any dirt and debris before installation (**IMPORTANT**).
5. Make sure to connect the hot/cold inlet pipe correctly. If standing in front, connect hot water pipe to the left and cold water pipe to the right.
6. After the installation, check for leaks and make sure every joint is safely sealed.

### Cleaning and Maintenance

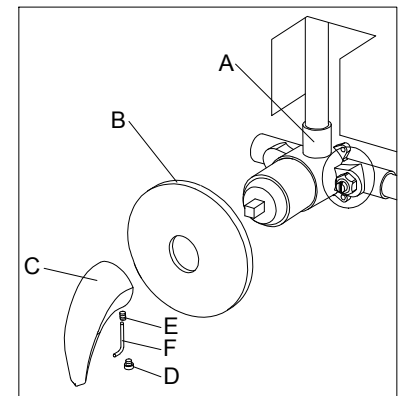
1. Rinse with clean water and dry with a soft cloth.
2. Do not use any detergent, acid, polisher, abrasives, or harsh cleaners.
3. Do not use cloth with a coarse surface.



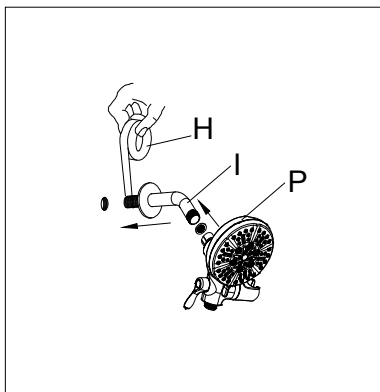
1. According to the site condition and the installation size requirement and to make a hole, the hole size is 100mm(length)\*130mm(width)\*55-60mm(deep).



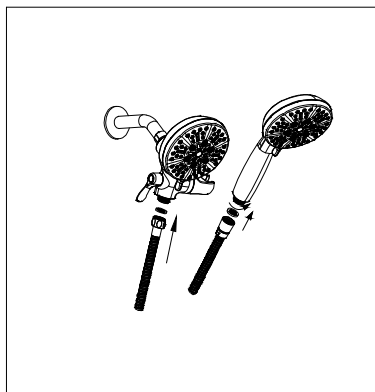
2. Wrap Teflon tape around the pipe threads and connect hot and cold water supply lines and in-wall pipes (not included) as desired to the valve. Turn on the water supply and open the cartridge to check for leakage. Then, put on the protective cover.



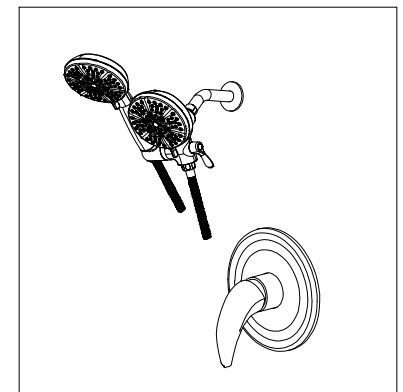
3. Remove the protective cover when the finished wall is completed and install the escutcheon (B) to the valve (A) and press it against the finished wall. Then, install the handle (C) tighten set screws (E) with Allen key (F), and put on the indication buttons (D).



4. Turn the water on for 1 minute to flush any debris. Apply Teflon tape (H) to the threaded tail pipe and install the shower hose (I) into the outlet on the wall. Then connect the top shower (P) to the spout.



5. Add rubber washers (L) at both ends of the shower hose (M). Connect shower hose (M) to the wall supply holder (K) and hand shower (N). Then, place the hand shower (N) to the wall supply holder (K).



6. Done.