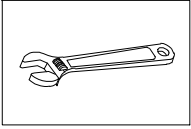
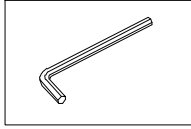


# Double-Handle Lavatory Faucet Installation

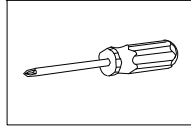
## INSTALLATION MANUAL Tools You will need



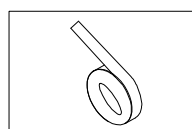
Adjustable Wrench



Allen key



Philips Screwdriver



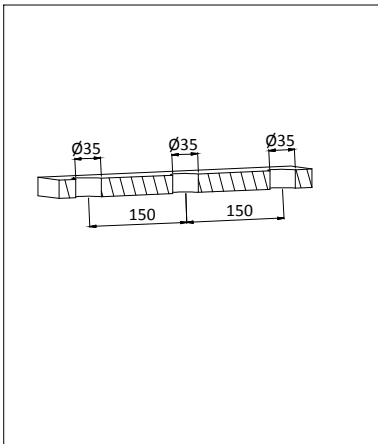
Teflon Tape

## Before the Installation

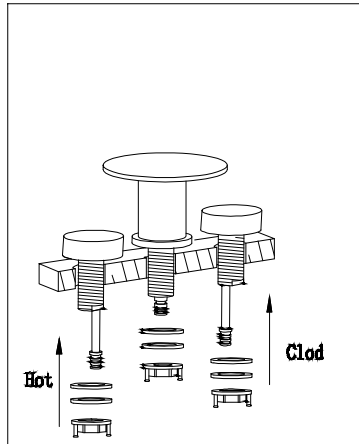
1. Check the package and confirm all parts are included. If any part is missing or damaged, please contact us.
2. Do not disassemble the main body, as it has been installed & commissioned correctly & precisely before leaving the factory.
3. Shut off the main water supply prior to beginning installation.
4. Do flush the water supply lines to remove any dirt and debris before installation (**IMPORTANT**).
5. Make sure to connect the hot/cold inlet pipe correctly. If standing in front, connect hot water pipe to the left and cold water pipe to the right.
6. After the installation, check for leaks and make sure every joint is safely sealed.

## Cleaning and Maintenance

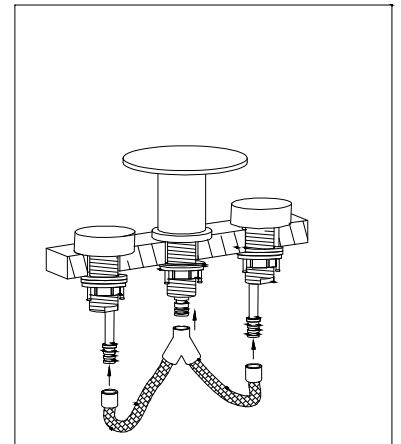
1. Rinse with clean water and dry with a soft cloth.
2. Do not use any detergent, acid, polisher, abrasives, or harsh cleaners.
3. Do not use cloth with a coarse surface.



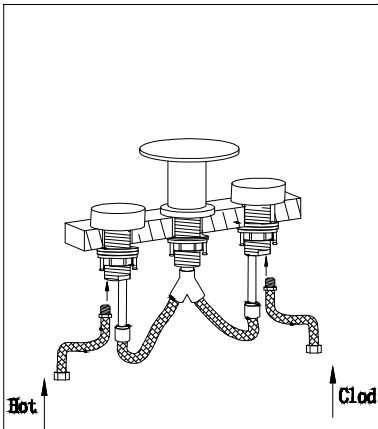
1. Holes size for the built in control valve: Ø35mm, the distance between the holes is 100mm.



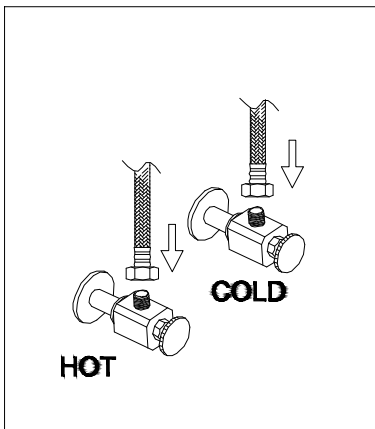
2. Dispatch the parts and fixed on the counter and screw it.



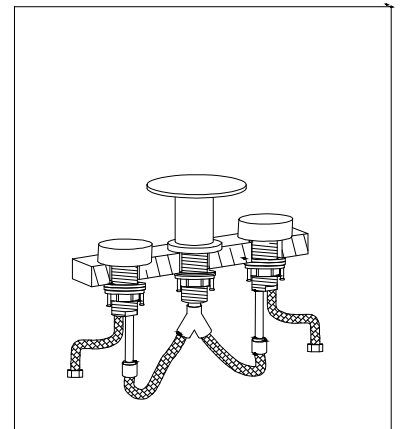
3. Connect the pipe of spout and two handles



5. Fix the Hot/Cold water supply.



5. Attach flexible hose to water supply.



Done