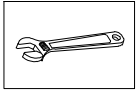
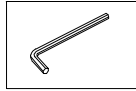


# Wall Mounted Shower System Installation

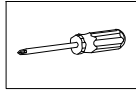
## INSTALLATION MANUAL Tools You will need



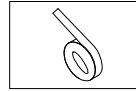
Adjustable Wrench



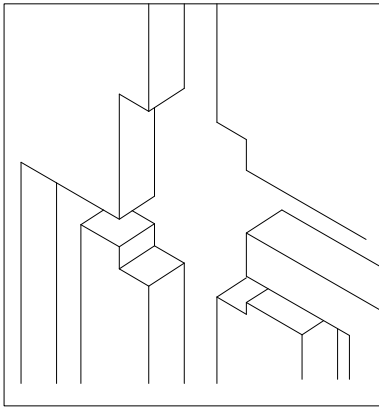
Allen key



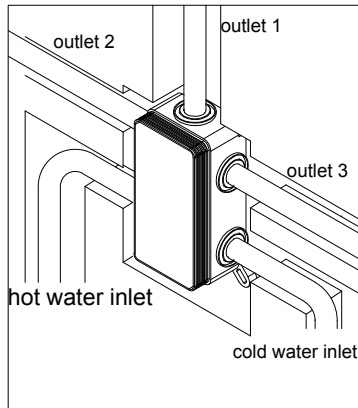
Philips Screwdriver



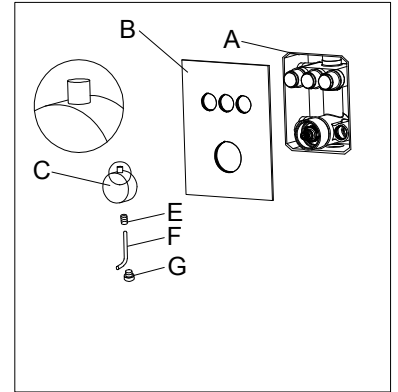
Teflon Tape



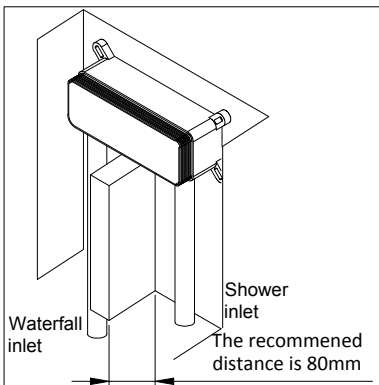
1. According to the site condition and the installation size requirement and to make a hole, the hole size is 180mm(length)\*130mm (width)\*75-85mm(deep).



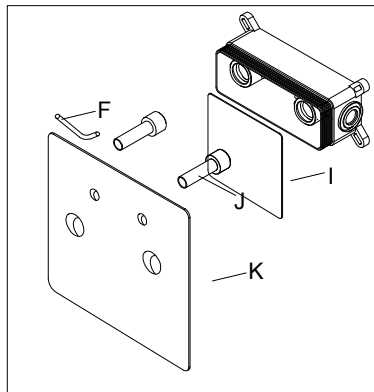
2(1). According to the site condition and the installation size requirement to set up the pipe line. (2). Connect the plastic box to the pipe, put the plastic box on the hole, then adjusted the levels (the bubble on the middle of the leveller). (3). Make the positioning holes.



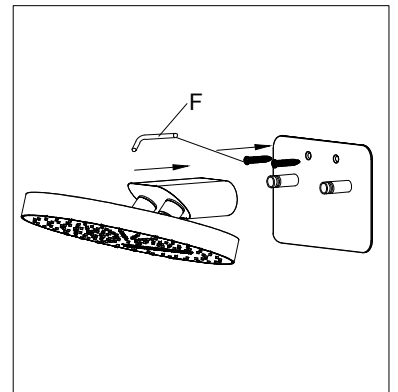
3. Please don't turn the cartridge before installing the adjusting hand wheel. Remove the protective cover when the finished wall is completed and install the escutcheon (B) to the valve (A) and press it against the finished wall. Then, install the handle (C), tighten set screws (E) with Allen key (F), and put on the indication buttons (G). Note: The hand wheel positioning lever is upward



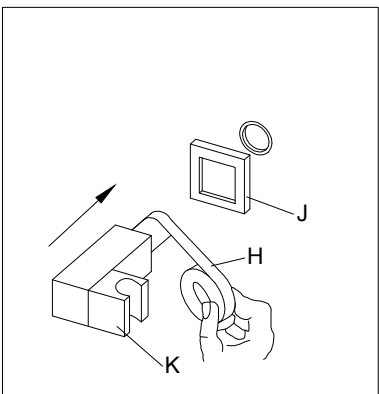
4. The hold size is 180mm(length)\*110mm (width)\*75-85mm(deep). Fix the top spray embedded box (H) in the wall and use a level to ensure that the valve is straight and level. Ensure that the buried box is flush with the finished tile surface and connect the water pipe as required.



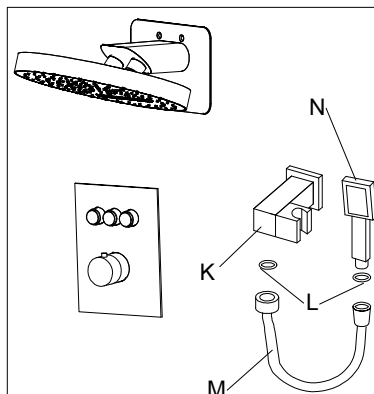
5. Remove the protective cover (I), unscrew the plug and lock the water inlet (J) with a hex wrench (F). The right-most rod is the longest support rod without water and the decorative panel (K) is installed.



6. Use a Allen key to lock the panel on the pre-buried box, and then install the top shower head on the joint of the pre-buried box and lock it tightly.



7. Apply Teflon tape (H) to the threaded end, then fix the cover plate (J) onto the wall supply holder (K) and screw the wall supply holder (K) into the hand shower outlet.



8. Connect the shower hose (M) to the wall supply holder (K) and hand shower (N). Then, place the hand shower (N) to the wall supply holder (K).