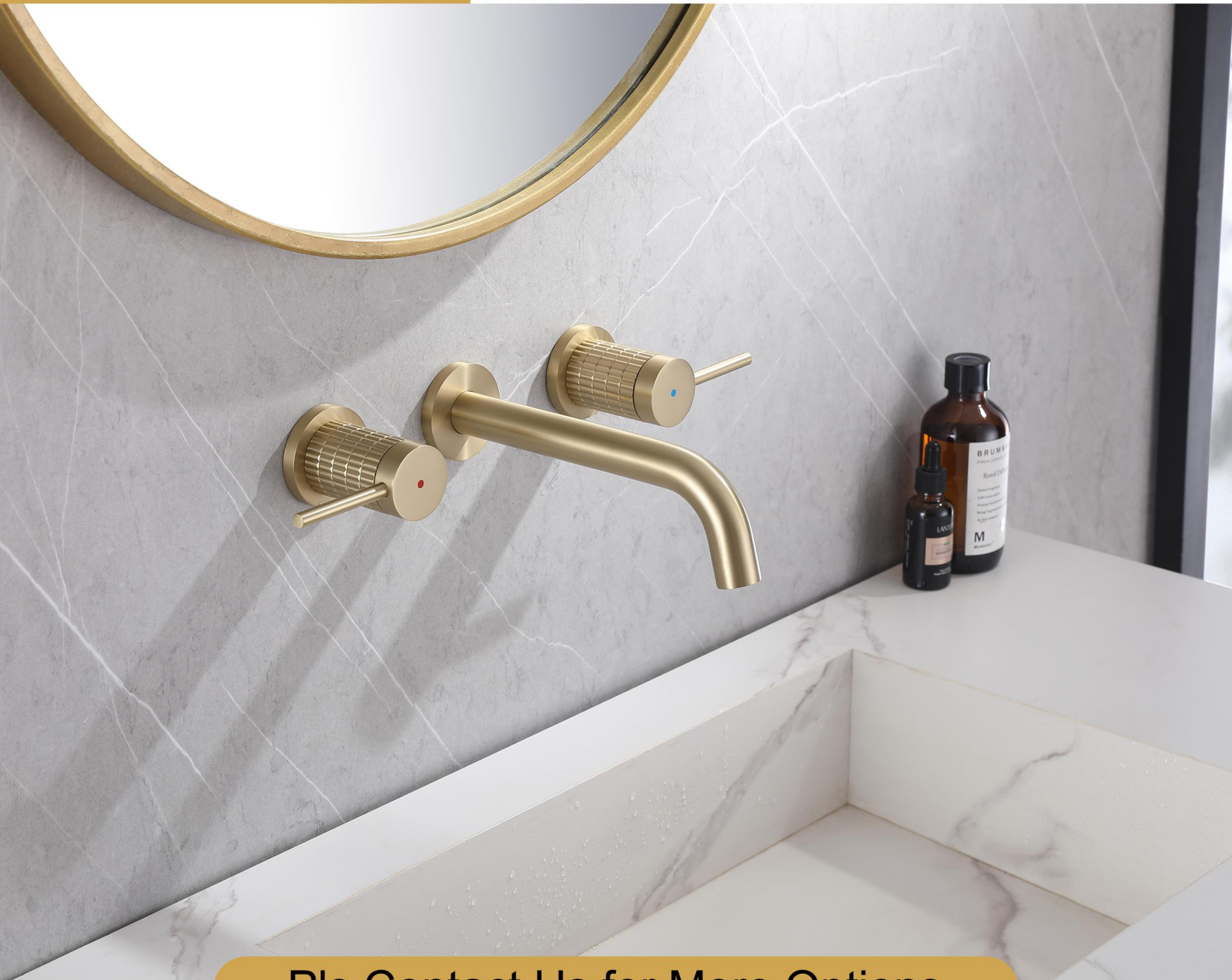
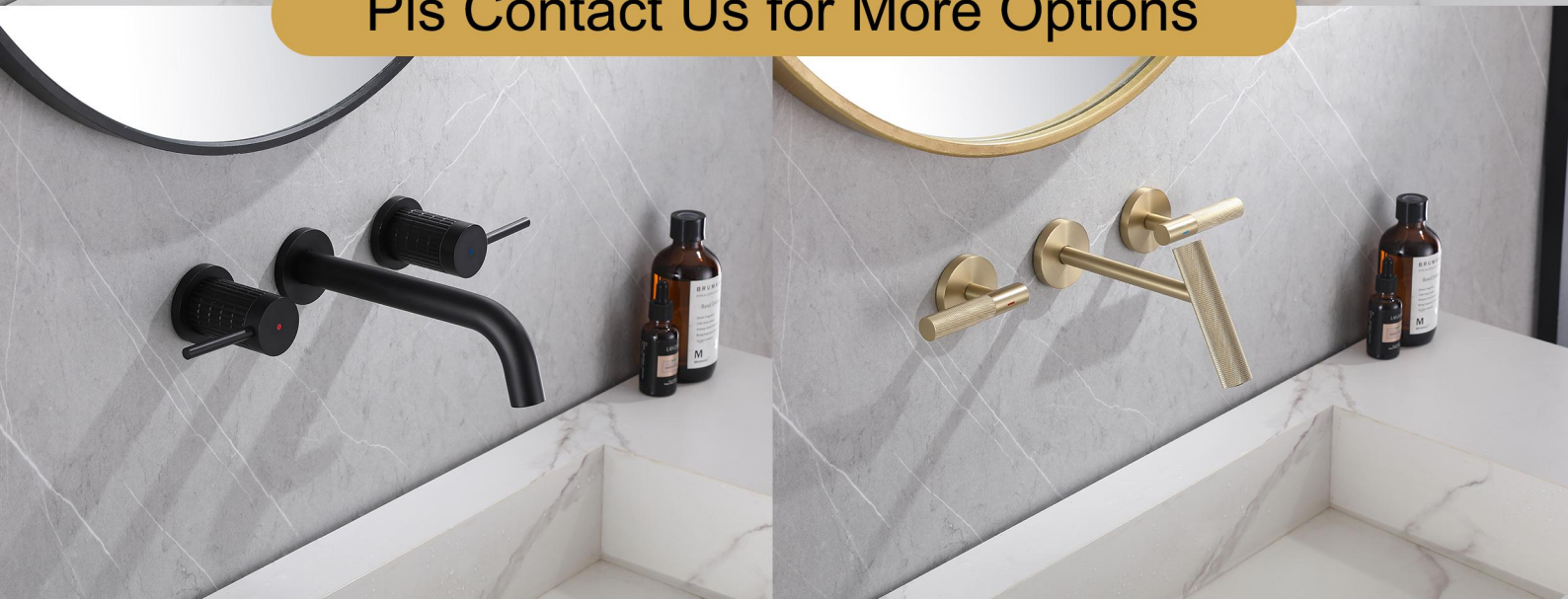


User's Manual

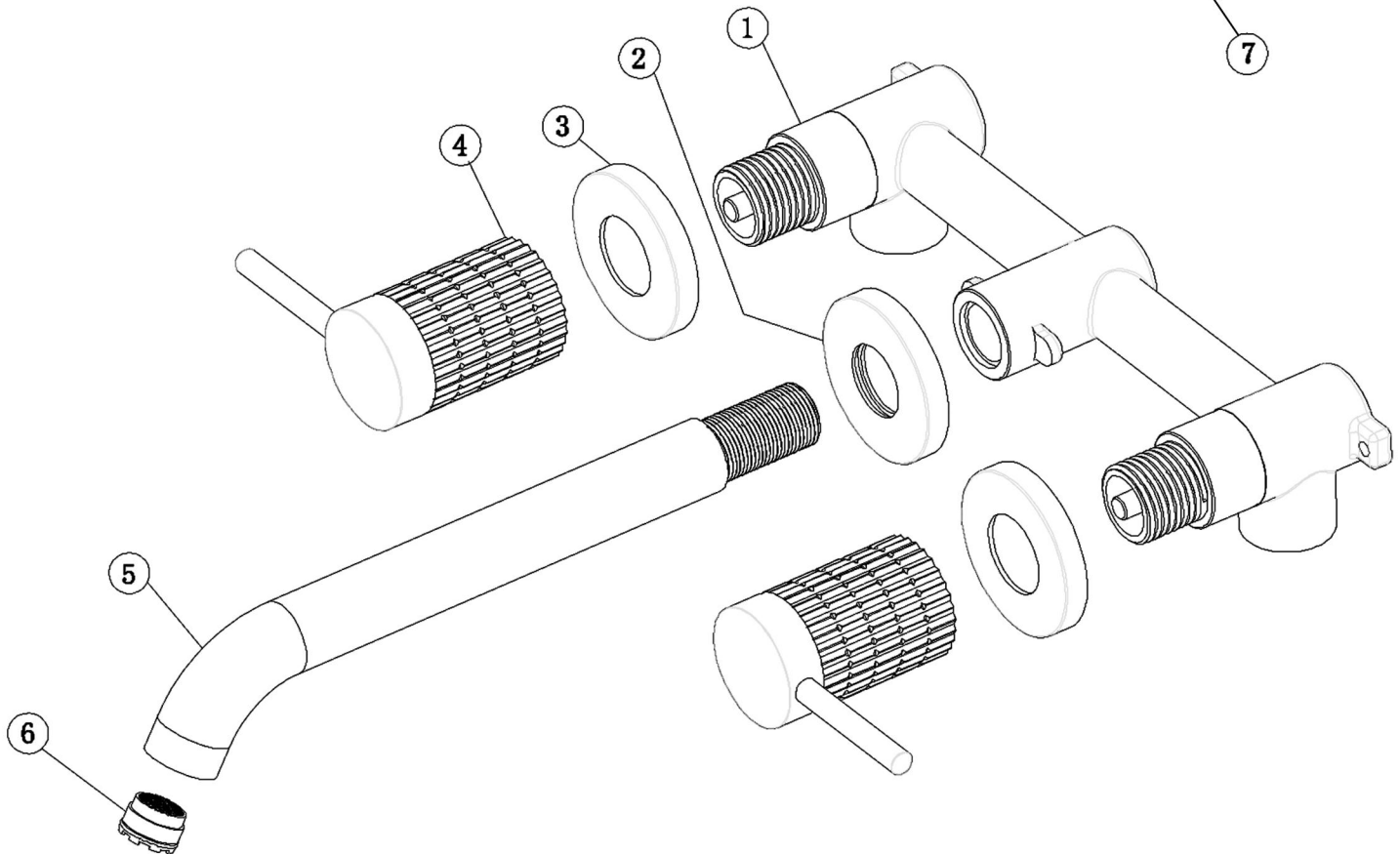
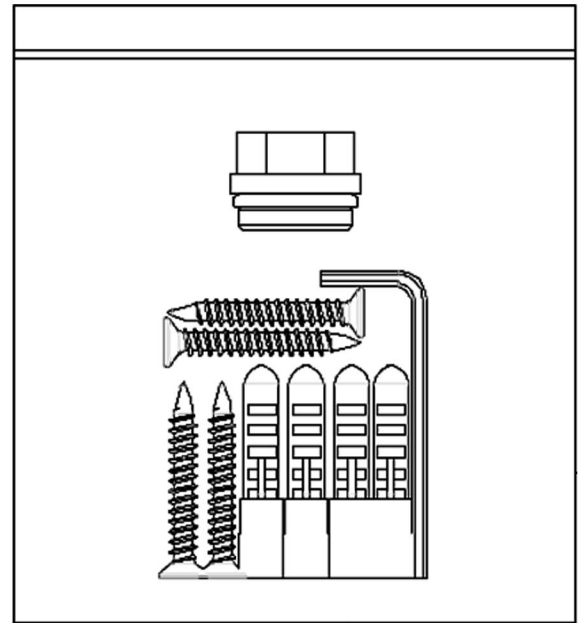


Pls Contact Us for More Options



STANDARD ACCESSORIES LIST

Serial number	Name	Quantity
7	Accessory Bag	1
6	Bubbler	1
5	Outlet pipe	1
4	Brass Handle	2
3	Handwheel decorative cup	2
2	Spout Decorative cups	1
1	Rough-in Valve	1



Check accessories

Standard List of Accessories:

When you open the product packaging, please check whether the objects in it are consistent with the main body and accessories you purchased. If there is any inconsistency, please contact our company or our distributor.

Note: 1. Accessories are subject to change without prior notice if the change does not affect usage;

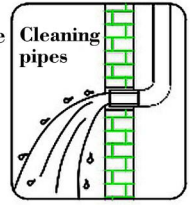
2. The appearance of the product is subject to the physical objects you receive, and the schematic diagram is only for reference.

INSTALLATION STEPS

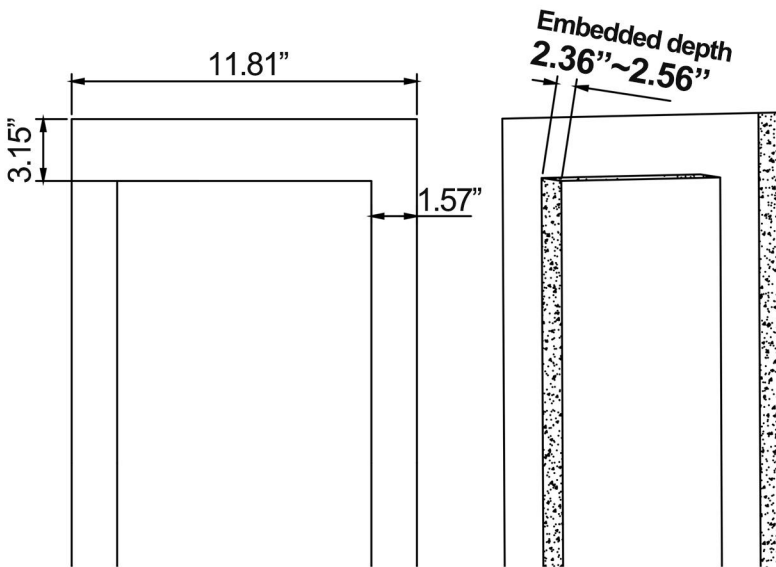
This product has been inspected and debugged by the factory to the best condition. Please do not disassemble and assemble it yourself.



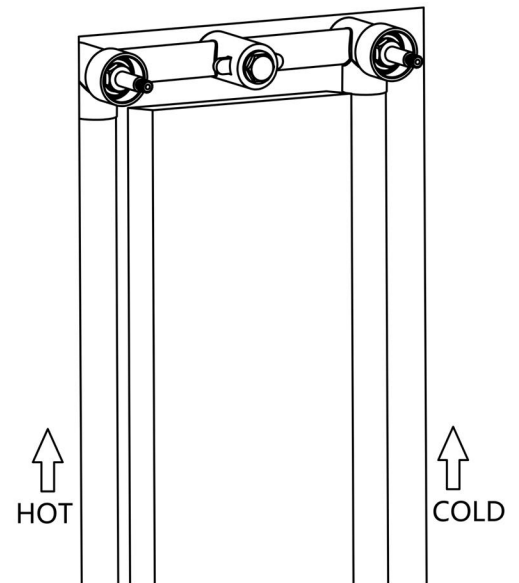
Before installing the faucet, please be sure to remove sundries and sludge from the water pipe to prevent sundries from blocking the faucet.



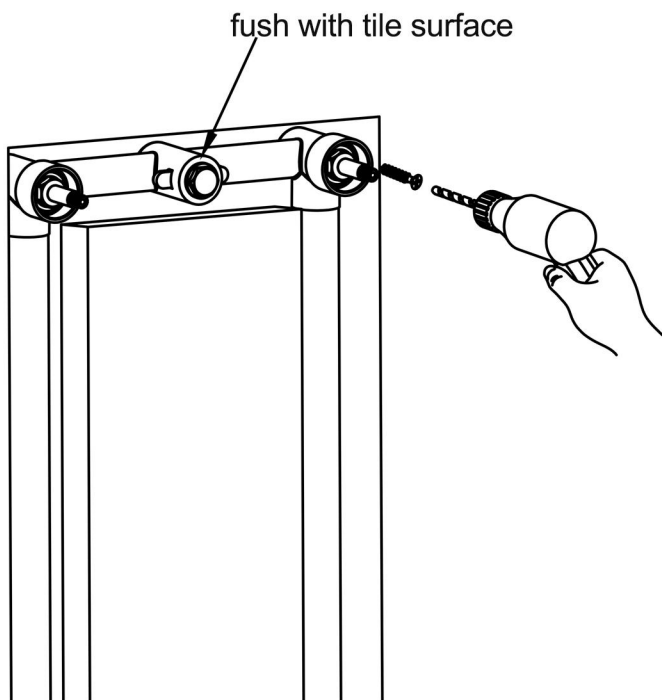
1. Dig pipe grooves for pre-burying pipes.
Unit:inch.



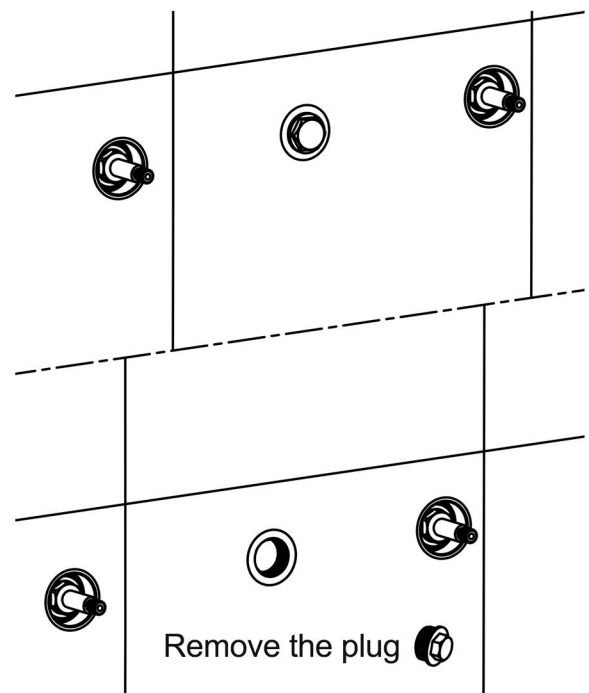
2. Install the main body and water inlet pipes.



3. Fix the main body of the faucet with self-tapping screws (the main body must be flush with the wall).

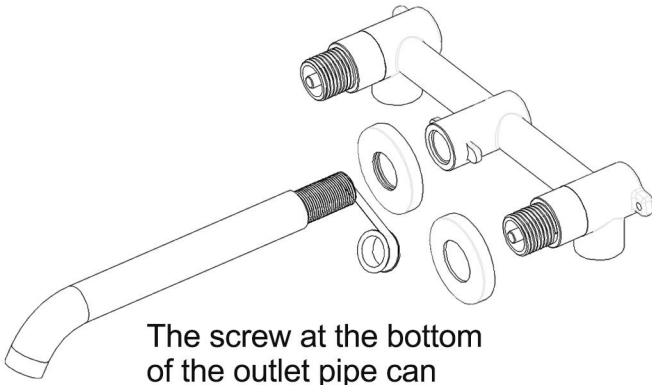


4. Tiles in good condition.



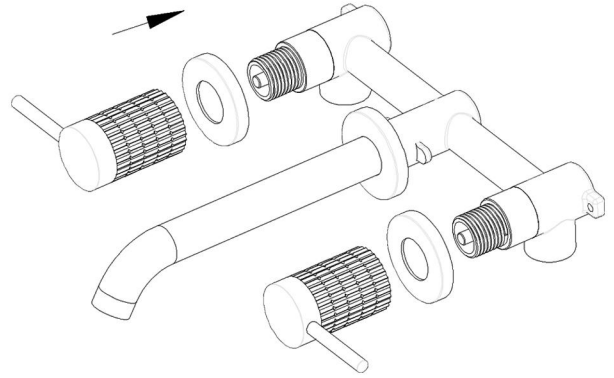
INSTALLATION STEPS

5. Install outlet pipe.
(wrap the PTFE tape on the thread)

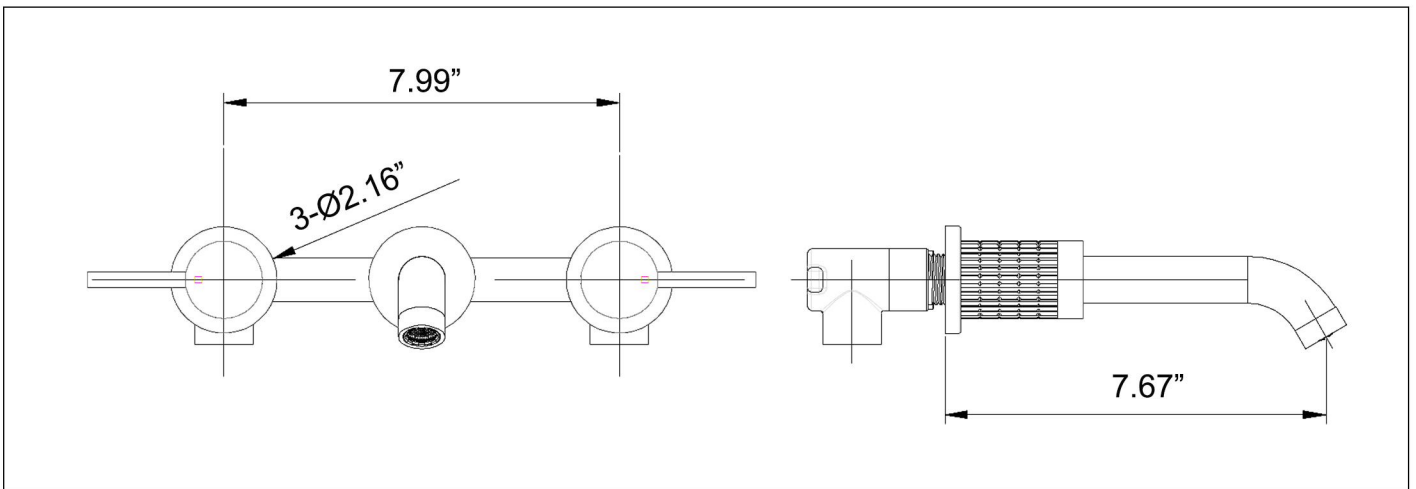


The screw at the bottom of the outlet pipe can adjust the angle of the outlet pipe.

6. Install the panel and Handle.



INSTALLATION DIMENSION



IAPMO RESEARCH AND TESTING, INC.
3001 East Philadelphia Street, Ontario, California 91761-2016 • USA • 909-472-4100 • 909-472-4244 • www.iapmo.com

UPC CERTIFICATE OF LISTING

This certificate is not evidence of current listing. To verify listing status, visit the IAPMO RIT Product Listing Directory at pld.iapmo.org

Effective Date: December 2019 - Rev. 2/24/2020 - Void After: December 2024
File No. 5311

Product: Flexible Water Connectors

Issued To: Renshi Group Inc.
Mechanical & Electrical
Industrial Zone,
Yuhuan County,
Yuhuan 317600, ZHEJIANG
China

Identification: Products shall be marked with manufacturer's name or trademark, a statement "For use with water in accessible locations only." The products shall also bear the UPC® certification mark. Markings shall be by means of either a permanent mark on the product, a label on the product or a tag attached to the product.

Characteristics: Flexible water connectors manufactured in various sizes, lengths and metal end fittings for hot or cold water applications that consist of an inner tube, which may or may not have an outer braided cover. Connectors are to be installed for use in accessible locations only. To be installed in accordance with the manufacturer's instruction, and the latest edition of the Uniform Plumbing Code and National Plumbing Code of Canada.

Products listed on this certificate have been tested by an IAPMO RIT recognized laboratory. This recognition has been granted based upon the

Tom Collins *Ran Chang*

This listing period is based upon the last date of the month indicated on the Effective Date and Void After Date shown above. Any change in material manufacturing process, marking or design without having obtained the approval of the Product Specification Committee, or any other manufacturer's mark or trademark, or of other markings, may be deemed sufficient cause for revocation of this listing. Products not in compliance with the applicable requirements may be deemed not to be in compliance with the applicable requirements of IAPMO Research and Testing, Inc. Any alteration of this certificate shall be grounds for revocation of the listing. This document shall be reproduced in its entirety.

IAPMO RESEARCH AND TESTING, INC.
3001 East Philadelphia Street, Ontario, California 91761-2016 • USA • 909-472-4100 • 909-472-4244 • www.iapmo.com

UPC CERTIFICATE OF LISTING

This certificate is not evidence of current listing. To verify listing status, visit the IAPMO RIT Product Listing Directory at pld.iapmo.org

Effective Date: November 2019 - Void After: November 2024
File No. 10623

Product: Plumbing Fixture Fittings

Issued To: Aqua Gallery Co., Ltd
1310-1316 Ais Street
International Commerce
Sanyatou City, Shaoguo
Fujian,
China

Identification: Plumbing supply fittings complying with this Standard shall be marked with the manufacturer's recognized name, trademark, or other mark or, in the case of private labeling, the name, trademark or other mark of the customer for whom the fitting was manufactured. The marking shall be accomplished by use of a permanent mark or by placing a permanent label on the product. Markings on plumbing supply fittings shall be visible after installation.

Single-handle, single-control, and automatic temperature mixing bath and shower valves shall have identifiable temperature control settings in which the settings are indicated by words ("cold," "warm," "hot," etc.), by numbers, or graphically.

Packages shall be marked with the manufacturer's name, trademark, or other mark as well as the model number or, in the case of private

Tom Collins *Ran Chang*

This listing period is based upon the last date of the month indicated on the Effective Date and Void After Date shown above. Any change in material manufacturing process, marking or design without having obtained the approval of the Product Specification Committee, or any other manufacturer's mark or trademark, or of other markings, may be deemed sufficient cause for revocation of this listing. Products not in compliance with the applicable requirements may be deemed not to be in compliance with the applicable requirements of IAPMO Research and Testing, Inc. Any alteration of this certificate shall be grounds for revocation of the listing. This document shall be reproduced in its entirety.

IAPMO RESEARCH AND TESTING, INC.
3001 East Philadelphia Street, Ontario, California 91761-2016 • USA • 909-472-4100 • 909-472-4244 • www.iapmo.com

UPC CERTIFICATE OF LISTING

This certificate is not evidence of current listing. To verify listing status, visit the IAPMO RIT Product Listing Directory at pld.iapmo.org

Effective Date: March 2019 - Void After: March 2024
File No. NC-9703

Product: Plumbing Fixture Fittings - Components

Issued To: Ningbo Mubai Cartridge Technology Co., Ltd.
Fuchen Zone, Chuah
Fenghua, ZHEJIANG 315518
China

Identification: Each fitting component shall bear permanent legible markings to identify the manufacturer. This marking shall be the trade name, trademark, or other mark known to identify the manufacturer. The product shall also bear all other markings required by the standard. The marking shall be applied so as to be visible after installation. The product or packaging shall also bear the UPC® certification mark along with the term "COMPONENT" in accordance.

Characteristics: Plumbing fixture fitting components to be installed in accordance with the manufacturer's instructions and the requirements of the latest edition of the Uniform Plumbing Code.

Products listed on this certificate have been tested by an IAPMO RIT recognized laboratory. This recognition has been granted based upon the laboratory's compliance to the applicable requirements of ISO/IEC 17025.

Products are in compliance with the following code(s):
Uniform Plumbing Code (UPC®)

Tom Collins *Ran Chang*

This listing period is based upon the last date of the month indicated on the Effective Date and Void After Date shown above. Any change in material manufacturing process, marking or design without having obtained the approval of the Product Specification Committee, or any other manufacturer's mark or trademark, or of other markings, may be deemed sufficient cause for revocation of this listing. Products not in compliance with the applicable requirements may be deemed not to be in compliance with the applicable requirements of IAPMO Research and Testing, Inc. Any alteration of this certificate shall be grounds for revocation of the listing. This document shall be reproduced in its entirety.

CLEANING CARE

In order to keep the appearance of faucet clean, bright and good performance, please take care of the faucet as follows;

1. Rinse with water only and dry with soft cotton cloth;
2. Use mild liquid and colorless glass cleaner to remove surface dirt and scale film, or use polish without abrasive effect;
3. Do not use abrasive detergent, polish, emery cloth, paper towel or scraper, etc.;
4. Do not use acid cleaner, or cleaner and soap with insoluble gran etc.;
5. In the process of use, mud may accumulate in the bubbler and make the water flow show, The bubbler can be unscrewed, rinsed with water, and then installed back in place.



Please feel free to contact us if you have any questions. We will help to solve the issue together with you. **OUR EMAIL: services@rbrohant.com**