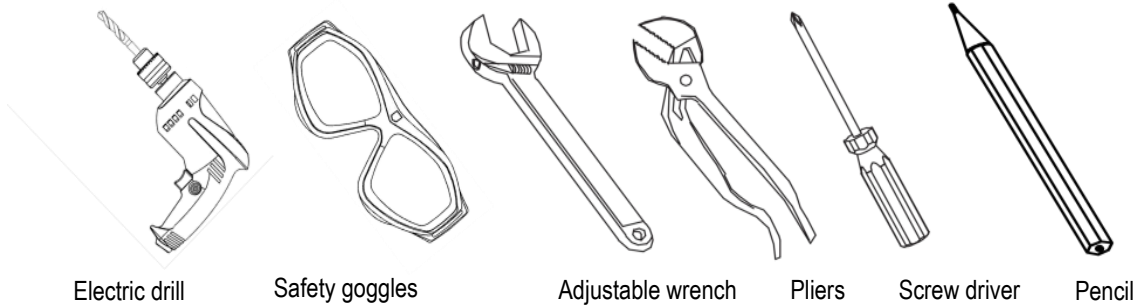


# Installation

For easy installation of your faucet, please ensure the following:

PLEASE CAREFULLY READ THIS INSTRUCTIONS MANUAL BEFORE INSTALLING AND USING THE PRODUCT. PLEASE KEEP THIS INSTRUCTION MANUAL FOR FUTURE REFERENCE REGARDING PRODUCT OPERATION AND MAINTENANCE.

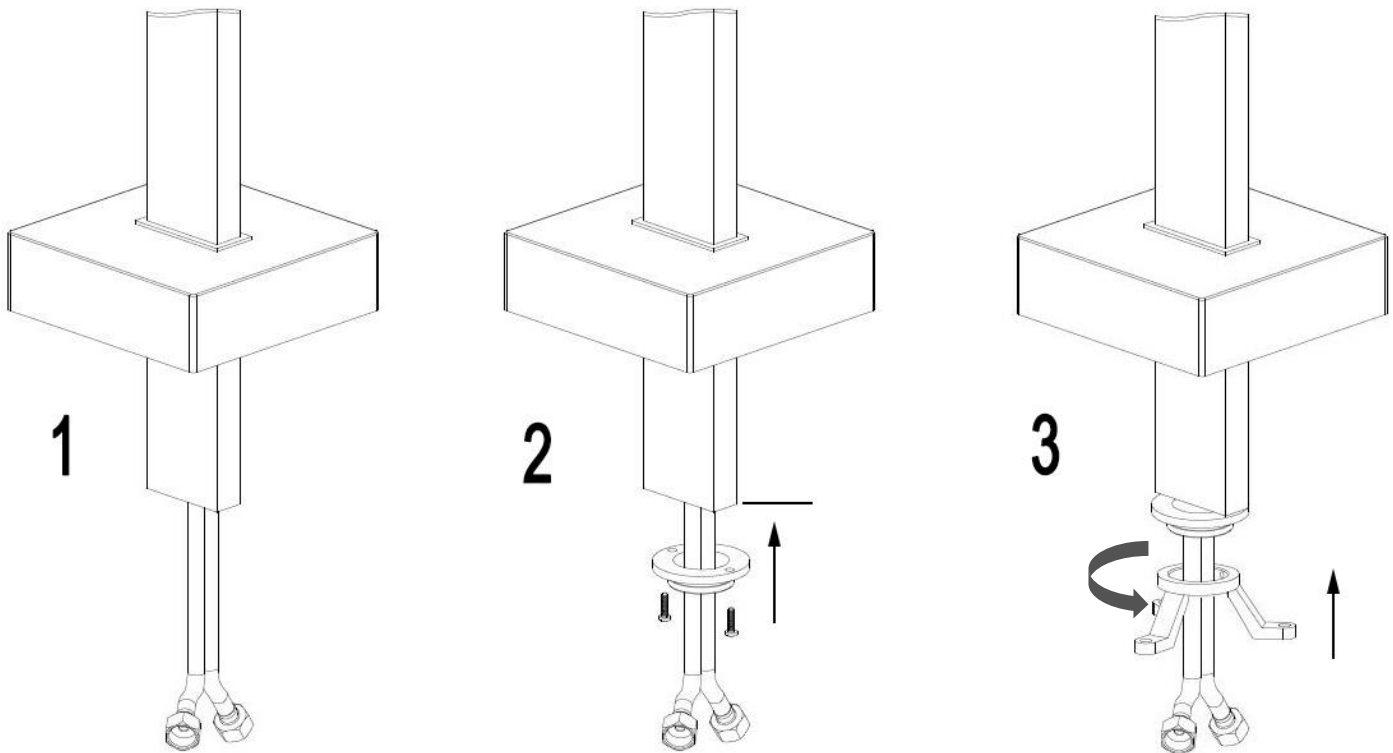
- 1) Please make sure the direction of the faucet should face to.
- 2) Please divided the hot water and cold water.
- 3) Please make sure you have shut off the water supply.



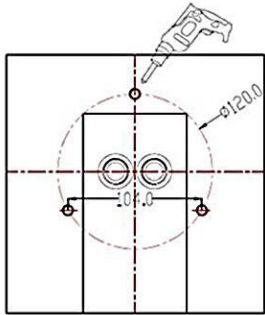
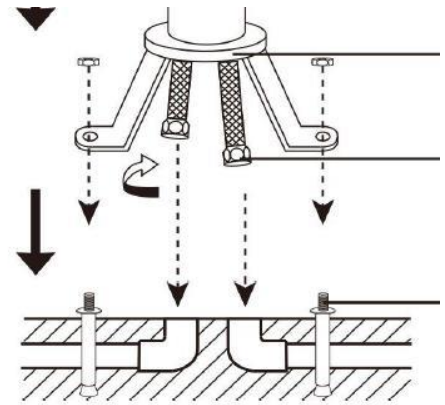
## Tools you may need

### *Installation steps*

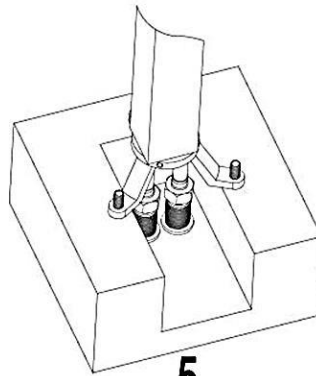
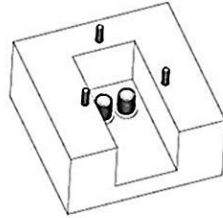
1. Place the escutcheon over the standpipe about 3~4 inches
2. Install fixing flange with 2 of screws
3. Then screw the 3 feet permanent seat to flange



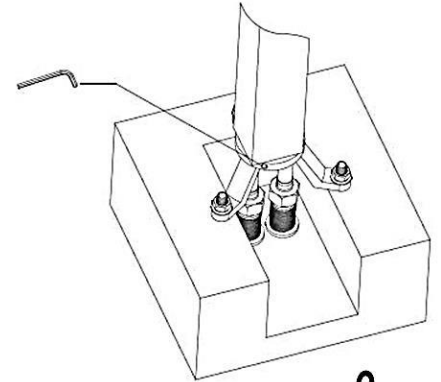
4. Mark the locations for the screws with a pencil. With an electric drill , drill three holes for the expansion screws in the floor
5. Place the expansion screw into the holes. Connect the flexible supply lines to the water supplies
6. Turn the body of the faucet to the position that you want and Lock the feet.



4



5



6

7. Ensure the standpipe sits flush against the finished floor surface. Then secure the standpipe using screws, Push the escutcheon over the standpipe base, so that it sits flush against the finished floor surface.
8. Ensure the standpipe sits flush against the finished floor surface. Then secure the standpipe using screws, Push the escutcheon over the standpipe base, so that it sits flush against the finished floor surface.
9. Note: This instruction manual is written for universal use and may be subjected to specification variance of actual parts.

## Cleaning and Care

Care should be exercised when cleaning this product. Although its finish is durable, it can be damaged from harsh abrasives and cleaning pads. To clean, use light, non-abrasive cleaning solution or cleaning polis

