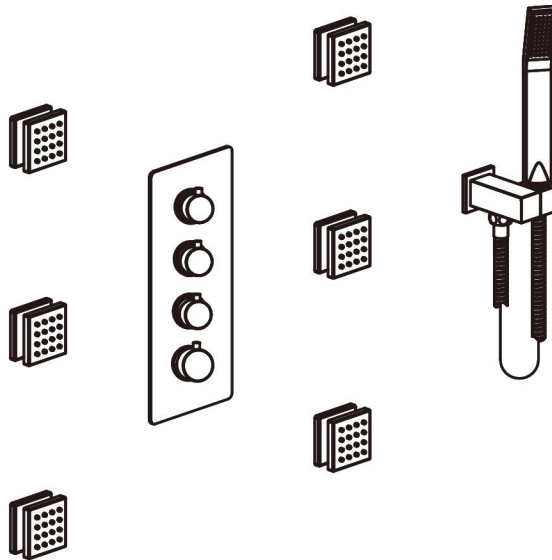
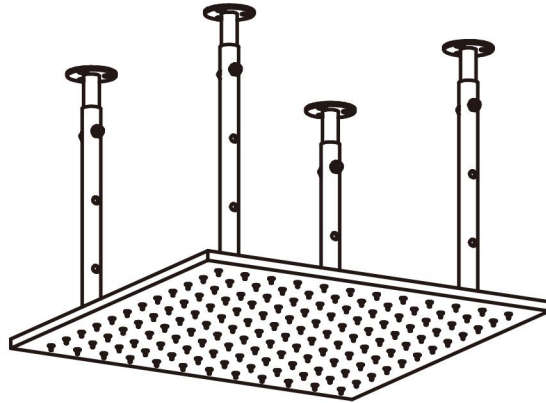


# User's Manual



# INSTALLATION INSTRUCTIONS

## Installation Manual



# JK0102

**IAPMO RESEARCH AND TESTING, INC.**  
5001 East Philadelphia Street, Ontario, California 91761-2816 • USA • 909-472-4100 • 909-472-4244 • www.iapmort.com

**ANSI** **IAPMO R&T** **UPC**

**CERTIFICATE OF LISTING**

**UPC**

This certificate is not evidence of current listing. To verify listing status, visit the IAPMO R&T Product Listing Directory at [pld.iapmo.org](http://pld.iapmo.org)

Effective Date: December 2019 -Rev. 2/24/2020- Void After: December 2024  
Product: Flexible Water Connectors File No. 5111  
Issued To: Fanaki Group Inc., Mechanical & Electrical Industrial Zone, Yuhuan County, Yuhuan 317400, ZHEJIANG, China

Identification: Products shall be marked with manufacturer's name or trademark, a statement "For use with water in accessible locations only." The products shall also bear the cUPC® certification mark. Markings shall be by means of either a permanent mark on the product, a label on the product or a tag attached to the product.

Characteristics: Flexible water connectors manufactured in various sizes, lengths and metal and fittings for hot or cold water applications that consist of an inner tube, which may or may not have an outer braided cover. Connectors are to be installed for use in accessible locations only. To be installed in accordance with the manufacturer's instruction, and the latest edition of the Uniform Plumbing Code and National Plumbing Code of Canada.

Products listed on this certificate have been tested by an IAPMO R&T recognized laboratory. This recognition has been granted based upon the

*Tom Collins* Chairman, Product Certification Committee *Ran Chang* CEO, The IAPMO Group

This listing is based upon the test data on the results indicated on the Effective Date and Void After Date shown above. Any change in material, manufacturing process, marking or design without notifying first obtained the approval of the Product Certification Committee, or any extension of manufacturing, shall void this listing. This listing is not a warranty, nor shall it be construed as any recommendation, assurance or guarantee by IAPMO Research and Testing, Inc. Any alteration of this certificate could be grounds for revocation of this listing. This document shall be reproduced in its entirety.

**IAPMO RESEARCH AND TESTING, INC.**  
5001 East Philadelphia Street, Ontario, California 91761-2816 • USA • 909-472-4100 • 909-472-4244 • www.iapmort.com

**ANSI** **IAPMO R&T** **UPC**

**CERTIFICATE OF LISTING**

**UPC**

This certificate is not evidence of current listing. To verify listing status, visit the IAPMO R&T Product Listing Directory at [pld.iapmo.org](http://pld.iapmo.org)

Effective Date: November 2019 Void After: November 2024  
Product: Plumbing Fixture Fittings File No. 10613  
Issued To: Aqua Gallery Co., Ltd 13th-15th A10 Block International Dynamics Sanitary City, 528000 Foshan, China

Identification: Plumbing supply fittings complying with this Standard shall be marked with the manufacturer's recognized name, trademark, or other mark or, in the case of private labeling, the name, trademark or other mark of the customer for whom the fitting was manufactured. The marking shall be accomplished by use of a permanent mark or by placing a permanent label on the product. Markings on plumbing supply fittings shall be visible after installation.

Single-handle, single-control, and automatic compensating mixing bath and shower valves shall have identifiable temperature control settings in which the settings are indicated by words ("cold", "warm", "hot", etc.), by numbers, or graphically.

Packages shall be marked with the manufacturer's name, trademark, or other mark as well as the model number or, in the case of private

*Tom Collins* Chairman, Product Certification Committee *Ran Chang* CEO, The IAPMO Group

This listing is based upon the test data on the results indicated on the Effective Date and Void After Date shown above. Any change in material, manufacturing process, marking or design without notifying first obtained the approval of the Product Certification Committee, or any extension of manufacturing, shall void this listing. This listing is not a warranty, nor shall it be construed as any recommendation, assurance or guarantee by IAPMO Research and Testing, Inc. Any alteration of this certificate could be grounds for revocation of this listing. This document shall be reproduced in its entirety.

**IAPMO RESEARCH AND TESTING, INC.**  
5001 East Philadelphia Street, Ontario, California 91761-2816 • USA • 909-472-4100 • 909-472-4244 • www.iapmort.com

**ANSI** **IAPMO R&T** **UPC**

**CERTIFICATE OF LISTING**

**UPC**

This certificate is not evidence of current listing. To verify listing status, visit the IAPMO R&T Product Listing Directory at [pld.iapmo.org](http://pld.iapmo.org)

Effective Date: March 2019 Void After: March 2024  
Product: Plumbing Fixture Fittings - Components File No. MC-9703  
Issued To: Ningbo Nantai Cartridge Technology Co., Ltd, Linsen Zone, Chunhui Fuyuan, NINGBO 315158, China

Identification: Each fitting component shall bear permanent legible markings to identify the manufacturer. This marking shall be the trade name, trademark, or other mark known to identify the manufacturer. The product shall also bear all other markings required by the standards. The marking shall be applied so as to be visible after installation. The product or packaging shall also bear the cUPC® certification mark along with the term "COMPONENT" above.

Characteristics: Plumbing fixture fitting components to be installed in accordance with the manufacturer's instructions and the requirements of the latest edition of the Uniform Plumbing Code.

Products listed on this certificate have been tested by an IAPMO R&T recognized laboratory. This recognition has been granted based upon the Laboratory's compliance to the applicable requirements of ISO/IEC 17025.

Products are in compliance with the following code(s):  
Uniform Plumbing Code (UPC®)

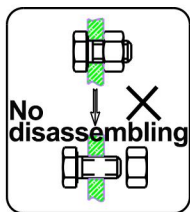
*Tom Collins* Chairman, Product Certification Committee *Ran Chang* CEO, The IAPMO Group

This listing is based upon the test data on the results indicated on the Effective Date and Void After Date shown above. Any change in material, manufacturing process, marking or design without notifying first obtained the approval of the Product Certification Committee, or any extension of manufacturing, shall void this listing. This listing is not a warranty, nor shall it be construed as any recommendation, assurance or guarantee by IAPMO Research and Testing, Inc. Any alteration of this certificate could be grounds for revocation of this listing. This document shall be reproduced in its entirety.

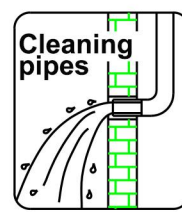


# INSTALLATION STEPS

This product has been inspected and debugged by the factory to the best condition. Please do not disassemble and assemble it yourself.

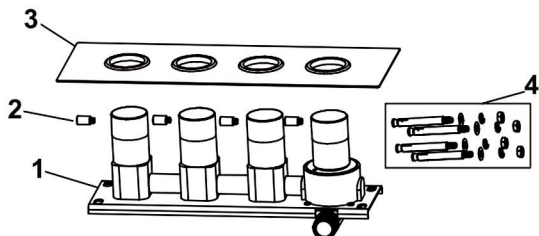


Before installing the product, please be sure to remove sundries and sludge from the water pipe to prevent sundries from blocking the product.



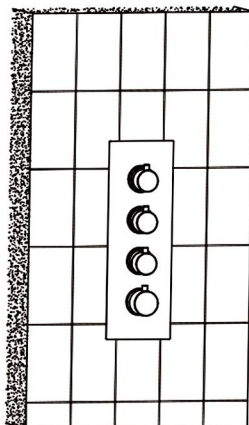
## 1. Insatallation Steps of Valve Body

Accessory list

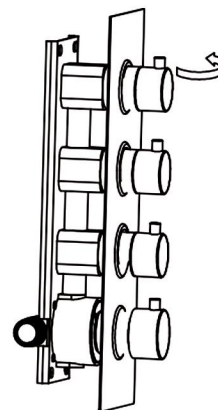


NO.	Description	Qty
1	Valve Body	1
2	Handwheel stem	4
3	Face Plate	1
4	Expand Screws	4

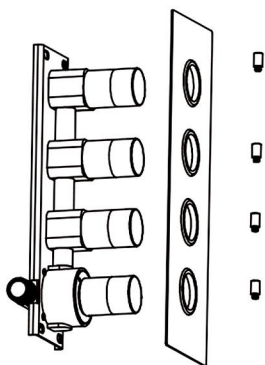
Assembly sketch



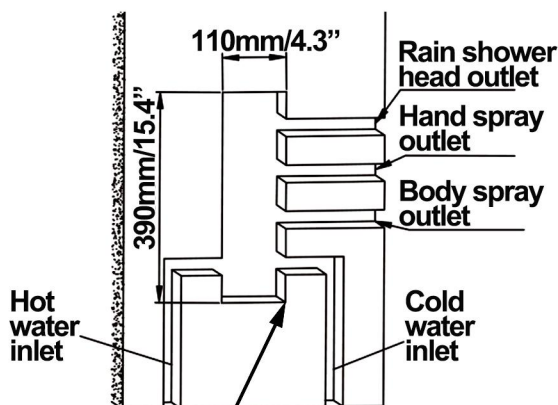
1). Counter clockwise to unscrew the decorative screws and pull them out, then use the Allen screw to remove the hexagon socket screws.



2). Then remove the face plate and handwheel stem, take apart the valve into 3 parts as shown in the picture.



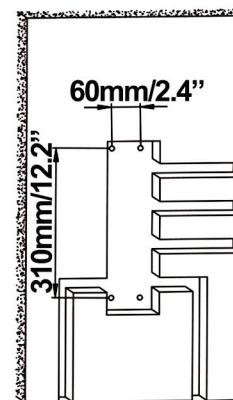
3). With reference to the basic dimensions of the embedded body, excavate the embedded ports of the main body, hot & cold water inlet pipe and the outlet pipe.



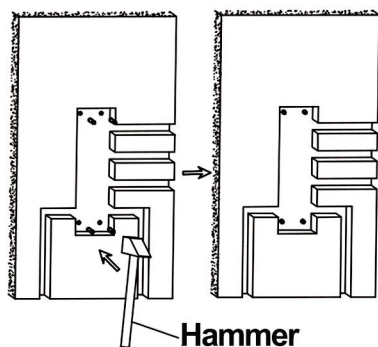
**Embedded depth: 3"(75mm)**

Note: depth including thickness of the tile.

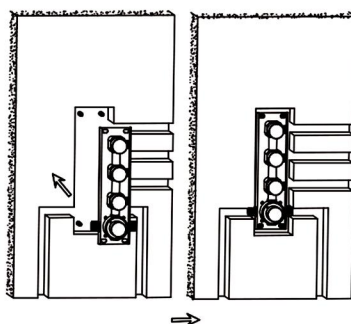
4). Drill four 6mm positioning holes according to the product size.



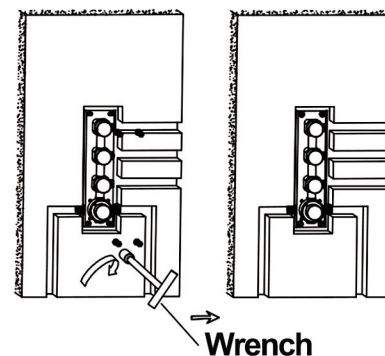
5). Hammer the expanded screw in the 4 drilled holes.



6). Position the valve body on the 4 screws.

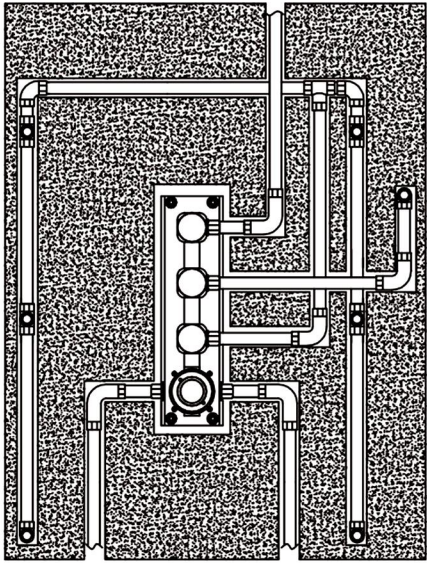


7). Use a Phillips screwdriver to tighten the 4 self-tapping screws, fix the valve body on the wall.

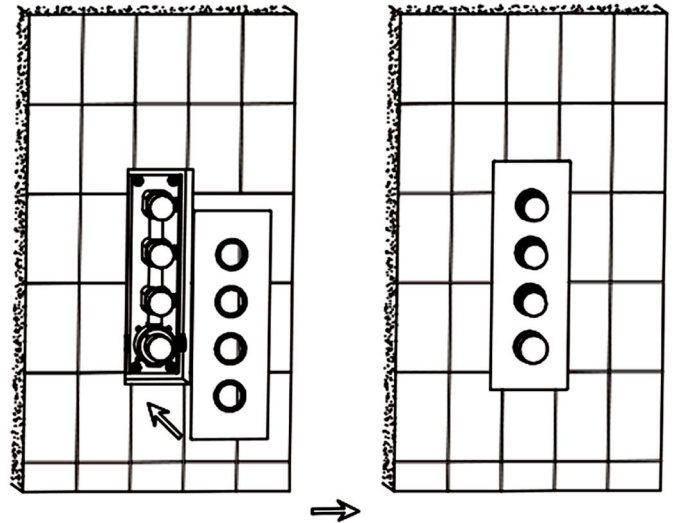


# INSTALLATION STEPS

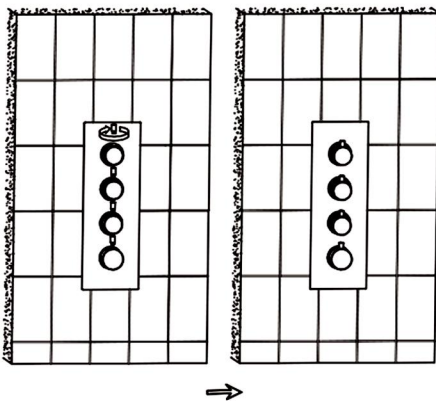
8). Connect all the pipes to check leakage, confirm no leak occurs when turn on water.



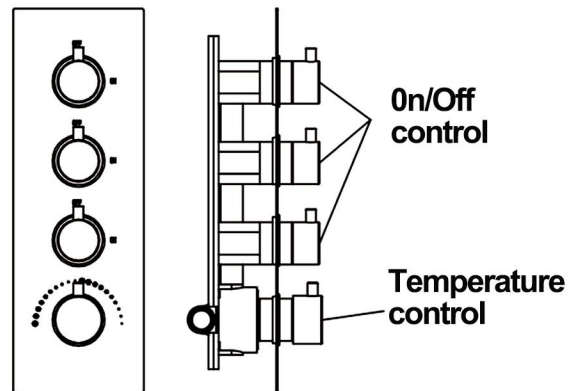
9). Fix the decorative plate and knobs on the valve body. Screw the hand-wheel on the handles and tighten with a Allen wrench.



10). Insert 3 decorative screw into the knobs.

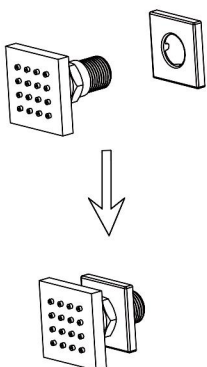


11). Function indication as shown.

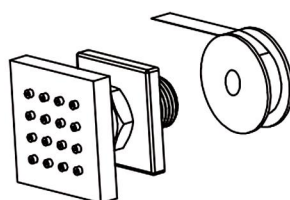


## 2. Insatallation Steps of Body Jets.

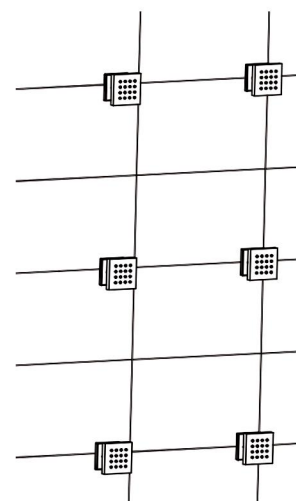
1). Attach the cover plate to body jets.



2). Apply Teflon tape to threaded tail of the body jets.



3). Use a wrench to screw the jet heads clockwise into the body spray outlets.

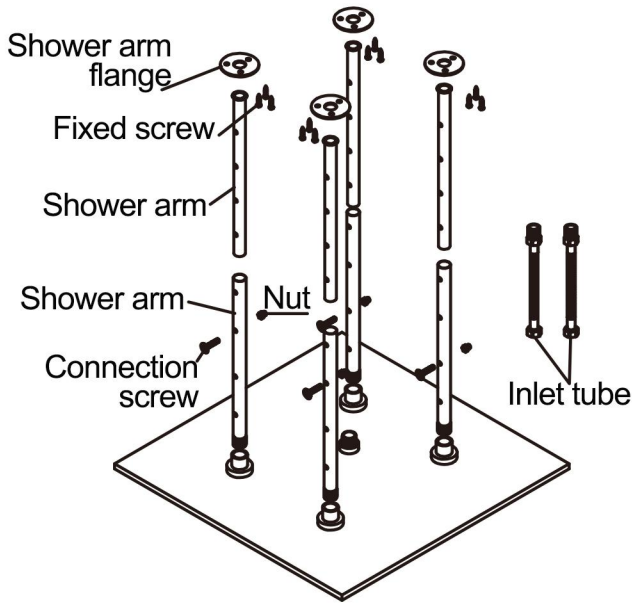




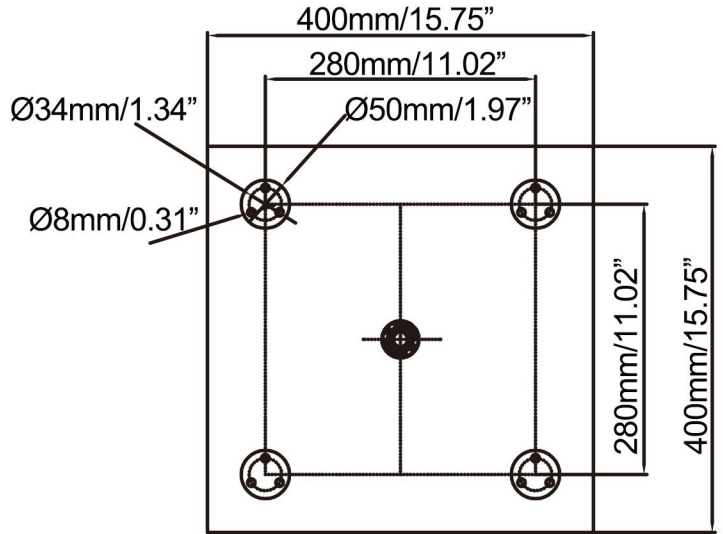
# INSTALLATION STEPS

## 3. Installation Steps of Rain shower

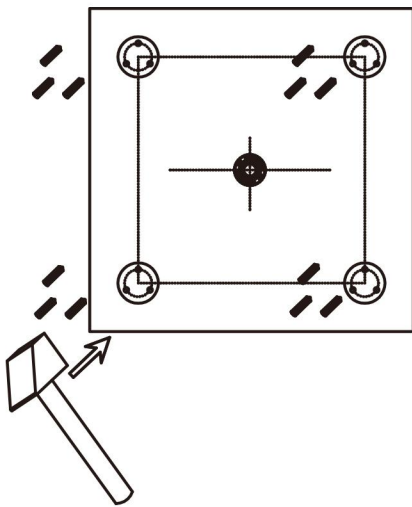
1). Accessory list.



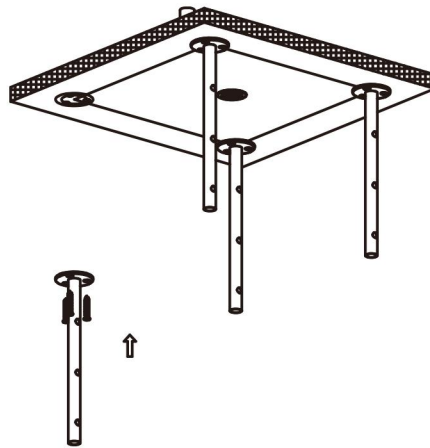
2). Draw positioning holes on the ceiling. Then drill holes with a impact drill according to the physical size. ( $\text{Ø}8\text{mm} \times 12 / \text{Ø}0.31" \times 12$ )



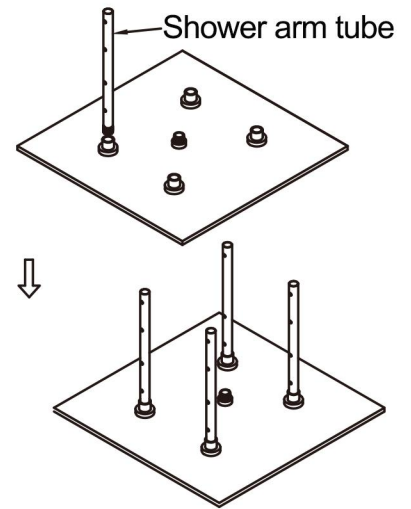
3). Hammer the expanded screw in the 12 drilled holes.



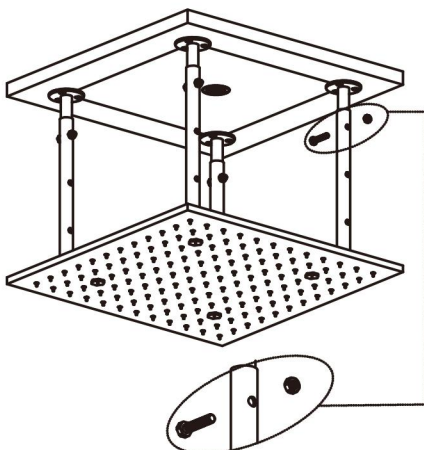
4). Fix the assembly to the ceiling wall with self-tapping screws.



5). Screw the shower arm onto the shower head.

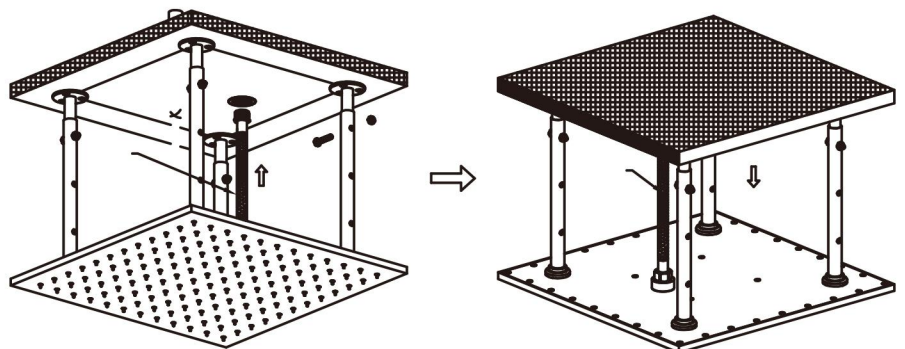


6). Sleeve 2 arm tubes together, connect them with screws.



7). Connect the water tube.

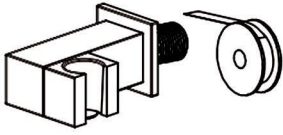
One end connect to shower head, the other to the inlet supply.



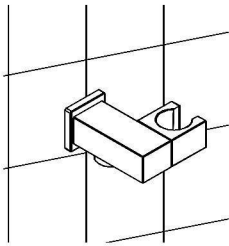
# INSTALLATION STEPS

## 4. Insatallation Steps of Hand Shower

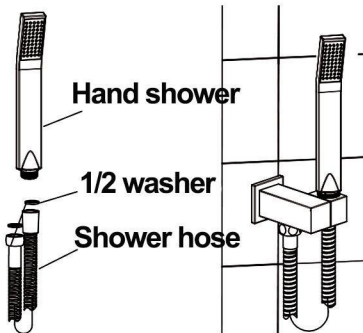
1). Wrap supply elbow thread with Teflon tepe and attach cover plate to it.



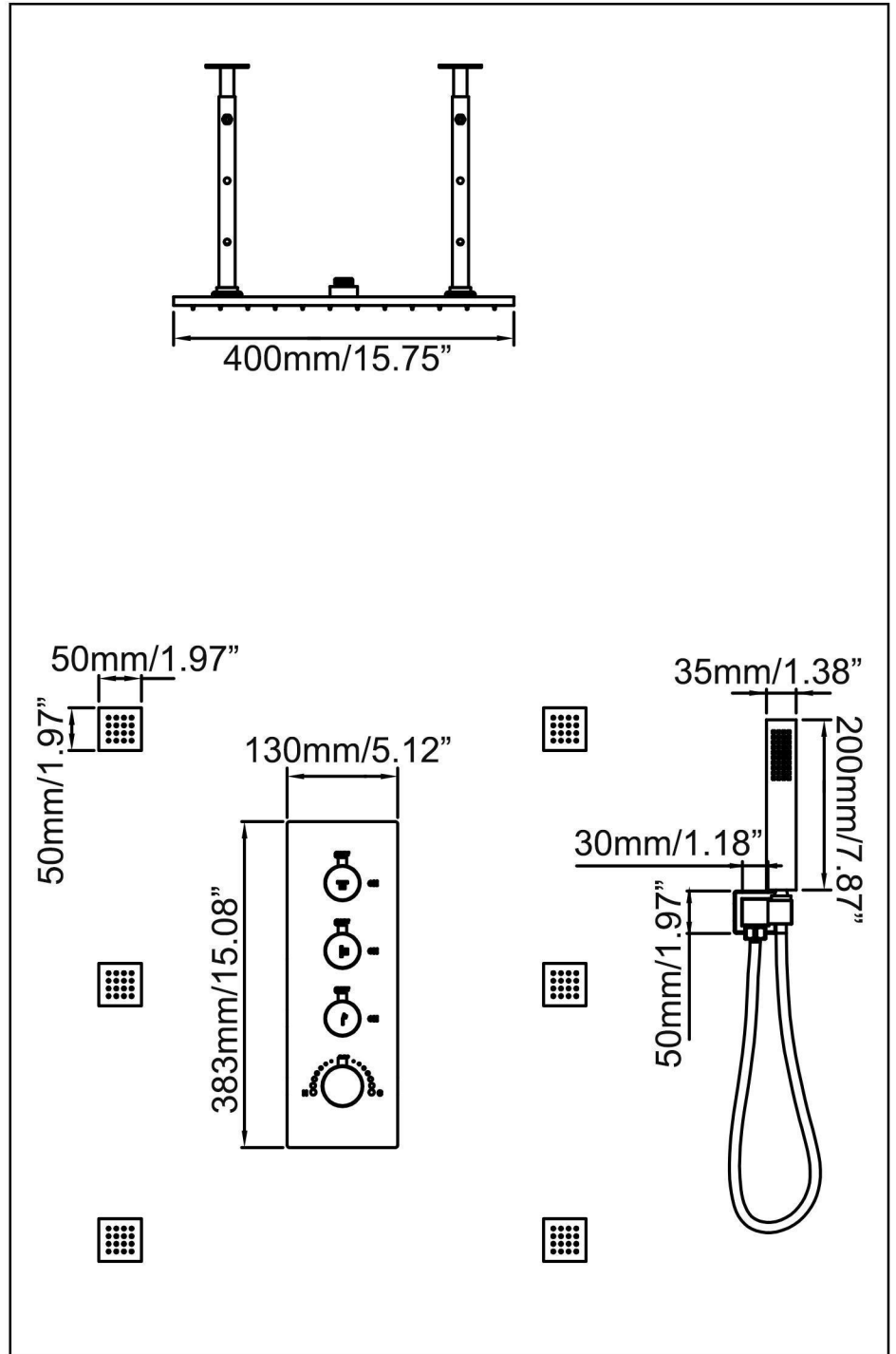
2). Screw the shower holder clockwise onto the hand-shower outlet.



3). Place rubber washers in both ends of the hose Connect the shower hose to the supply elbow and shower head. Note the ends of shower hose to be connected correctly.



## PRODUCT SIZE



## CLEANING CARE

In order to keep the appearance of product clean, bright and good performance, please take care of the product as follows;

1. Rinse with water only and dry with soff cotton cloth;
2. Use mild liquid and colorless glass cleaner to remove surface dirt and scale film, or use polish without abrasive effect;
3. Do not use abrasive detergent, polish, emery cloth, paper towel or scraper, etc;
4. Do not use acid cleaner, or cleaner and soap with insoluble gran etc;
5. In the process of use, mud my accumulate in the bubbler and make the water flow show, The bubbler can be unscrewed, rinsed with water, and then installed back in place.





