

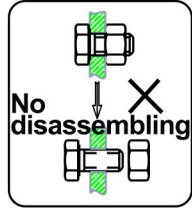


User's Manual



INSTALLATION STEPS

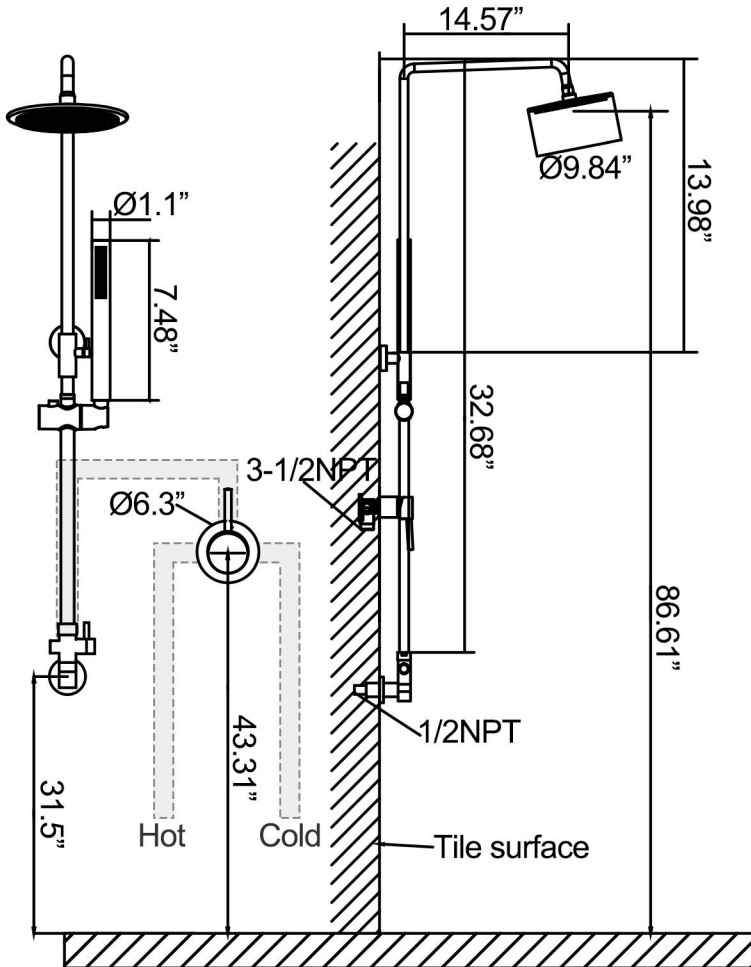
This product has been inspected and debugged by the factory to the best condition. Please do not disassemble and assemble it yourself.



Before installing the product, please be sure to remove sundries and sludge from the water pipe to prevent sundries from blocking the product.



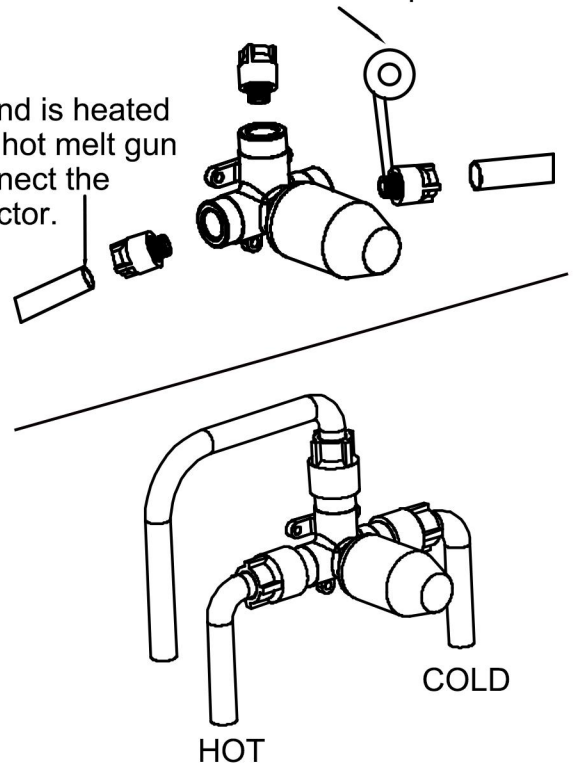
1. Installation dimension diagram.
(The picture is for reference only, you can install it according to your own needs.)



2. The connection between the valve body and the pipe needs to use the joint for the transfer function, and the joint needs to be sealed with a PTFE tape.

Threaded connection places need to be sealed with PTFE tape.

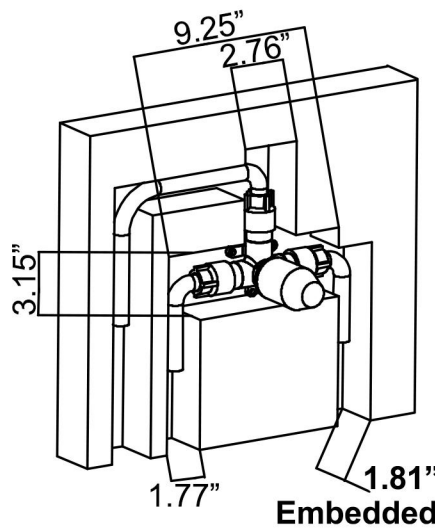
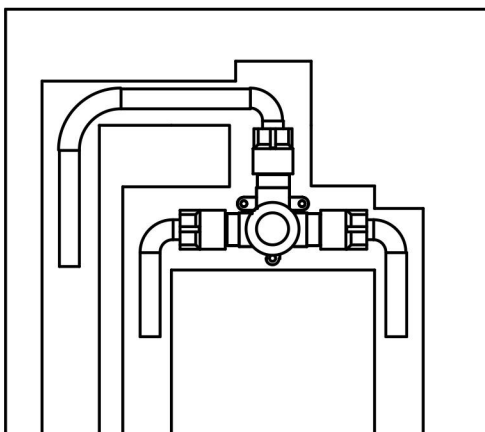
This end is heated with a hot melt gun to connect the connector.



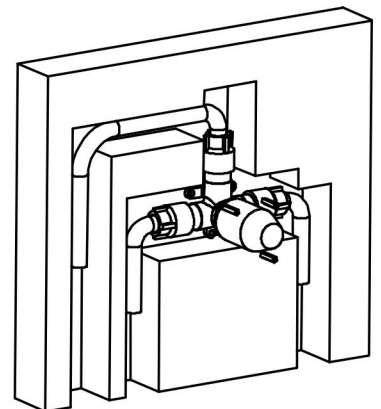
3. Put the valve body connected with the pipe against the wall, draw the outline with a pen and prepare for the slotting.

4. The wall is slotted and then drilled.

5. Drive the rubber plug into the wall, and fix the main body to the wall with screws.

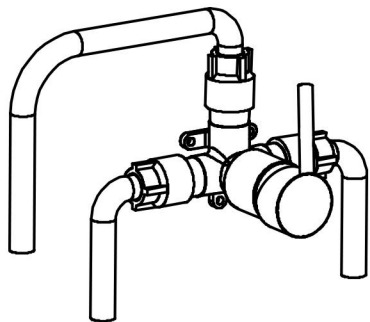


Embedded depth

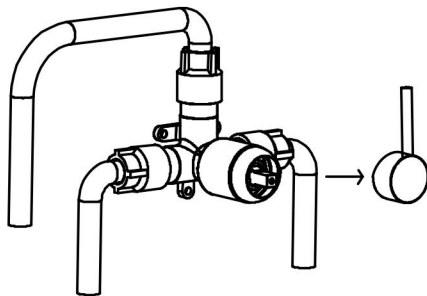


INSTALLATION STEPS

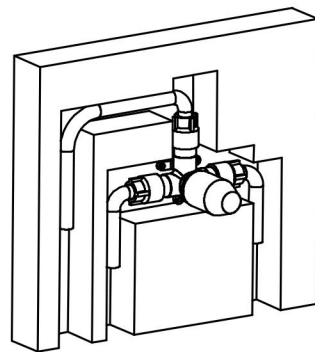
6. After the faucet is connected to the water pipe, test the water normally, keep the pressure for one minute, and check whether there is any water leakage.



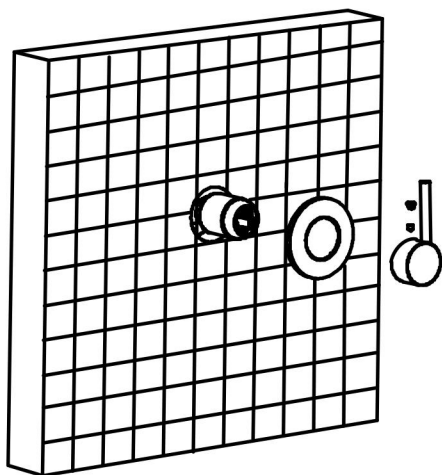
7. There is no problem with the water test, remove the handle and replace the protective cover.



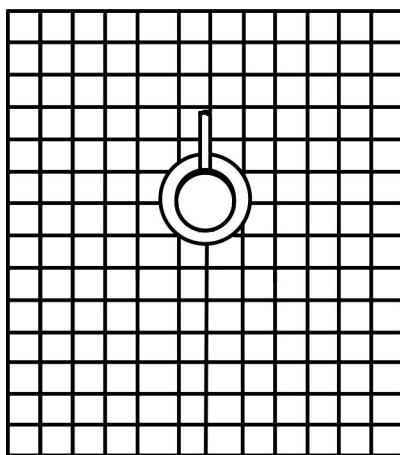
8. Remember to put the protective cover back on before tiling the tiles, and tighten the screws to prevent the surface of the valve body from being damaged.



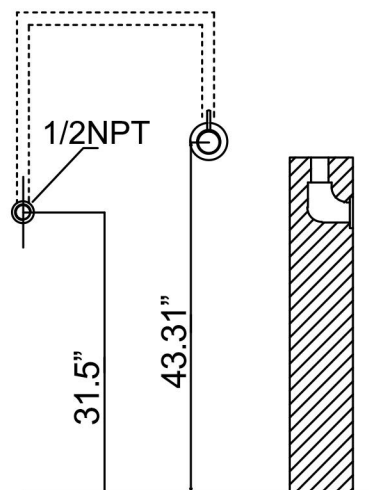
9. After the tiles are pasted, the protective cover can be removed, and the decorative panels, handles and screws can be installed.



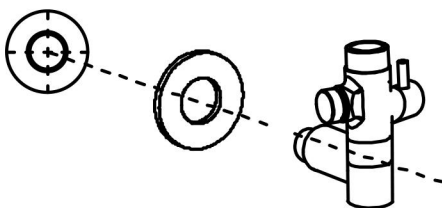
10. The valve body is installed.



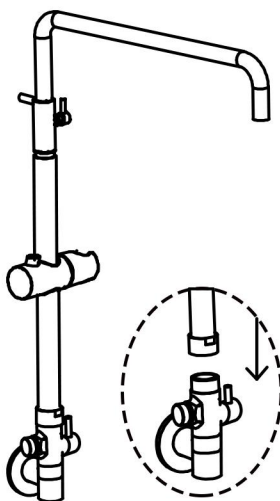
11. Shower bracket installation dimension diagram. (The picture is for reference only, you can install it according to your own needs.)



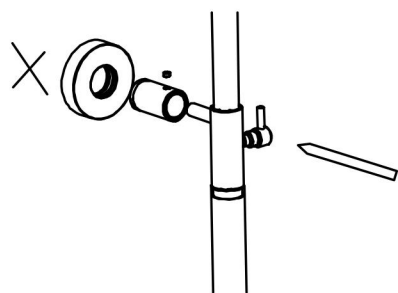
12. Mount the main body to the water outlet on the wall.



13. Install the seven-character tube on the main body and tighten it.

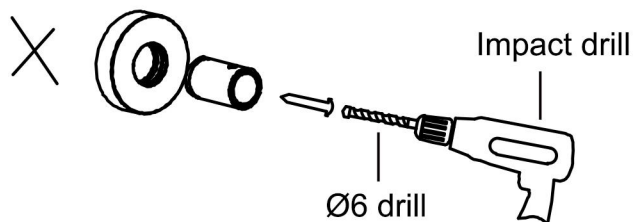


14. Then the fixed seat is also placed on the wall, and the center position is marked with a pen.

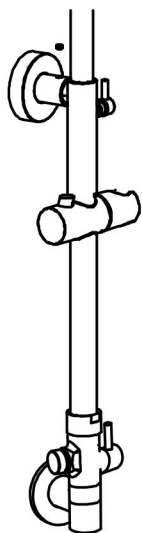


INSTALLATION STEPS

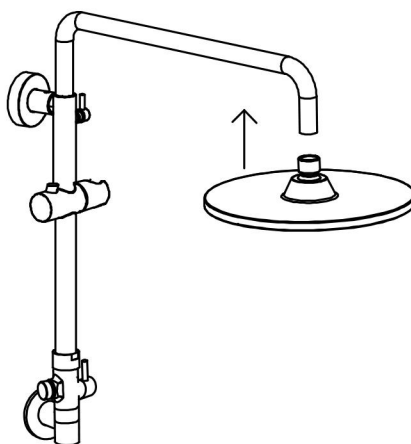
15. Use a Ø6 drill to drill holes at the marked locations, then use a rubber plug to drive into the wall.



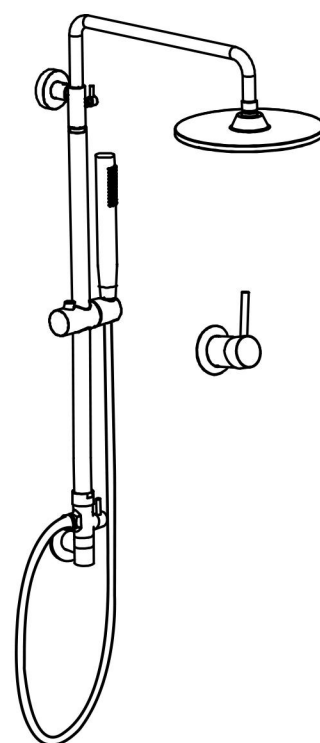
16. The main body is installed on the wall, and the fixed seat is also installed according to the center position.



17. Install the rain shower head.



18. Finally, the hand shower hose is installed on the hand shower and the main body, respectively.



CLEANING CARE

In order to keep the appearance of product clean, bright and good performance, please take care of the product as follows;

1. Rinse with water only and dry with soft cotton cloth;
2. Use mild liquid and colorless glass cleaner to remove surface dirt and scale film, or use polish without abrasive effect;
3. Do not use abrasive detergent, polish, emery cloth, paper towel or scraper, etc;
4. Do not use acid cleaner, or cleaner and soap with insoluble gran etc;
5. In the process of use, mud may accumulate in the bubbler and make the water flow show, The bubbler can be unscrewed, rinsed with water, and then installed back in place.



Please feel free to contact us if you have any questions. We will help to solve the issue together with you. OUR EMAIL: services@rbrohant.com



Service Contact:
+1(801) 800-9309
services@rbrohant.com

Made in China