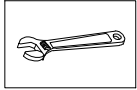
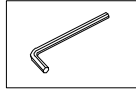


Wall Mounted Basin Faucet Installation

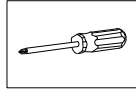
INSTALLATION MANUAL Tools You will need



Adjustable Wrench



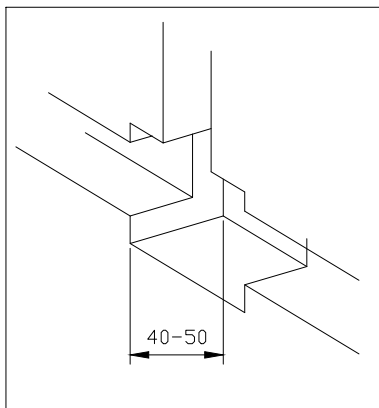
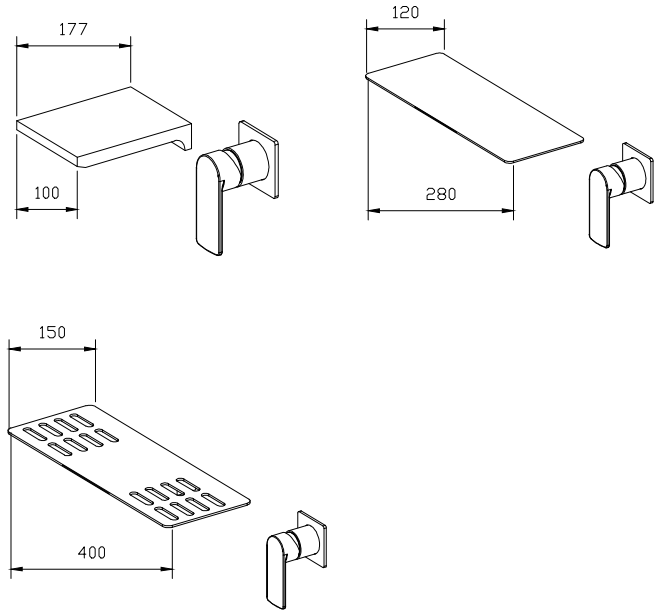
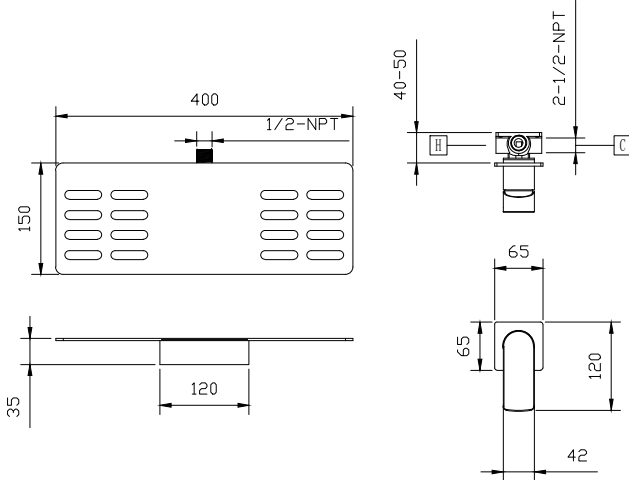
Allen key



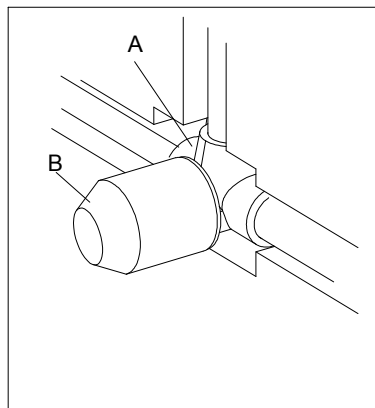
Philips Screwdriver



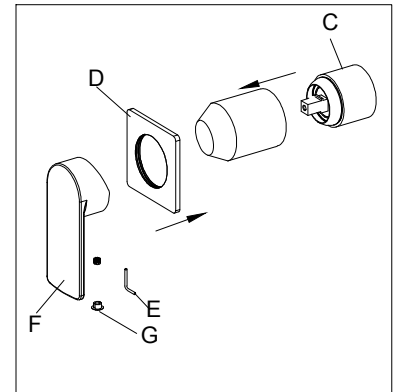
Teflon Tape



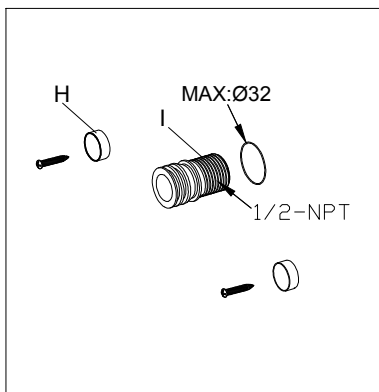
1. Holes size for the built in control valve: 70*60*(40-50), the depth between the bottom of the control valve to the tile surface is 40-50MM



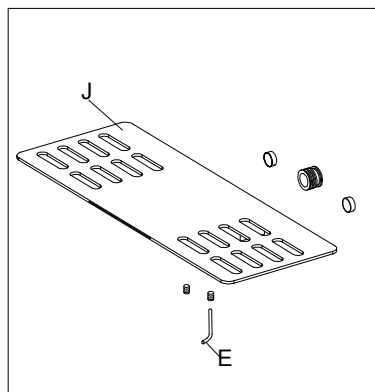
2. Use the tape on pipe threads, connected to the main body (A) cold and hot as required inlet pipe and outlet pipe, checking the leakage before fixing the main body in the embedded hole (keep the horizontal and vertical). And assembling the protection plastic cover (B).



3. Remove the plastic cover (D) and then put the base through the cartridge cover (C), use Allen key (E) and the hexagon socket screw to assemble the handle (F) to the body, and then put on the decorative button (G).



4. Fix the positioning block (H) with the screw in the position of the wall, and then tighten the thread pipe (I) to the water pipe.



5. Fix the spout (J) to the position block and the thread pipe, and then use the Allen key (E) to tight the spout with the thread pipe.

