

6042-1 Installation instructions(A)

I

1. Please read the instructions before install.
2. Check the product after opening the package, and the tools required for installation are not included with the supply; please bring your own;
3. The instructions contain precautions for installation, please keep them ;
4. The size chart of the manual is for reference only, please refer to the actual product.

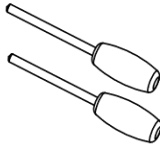
Recommended tool



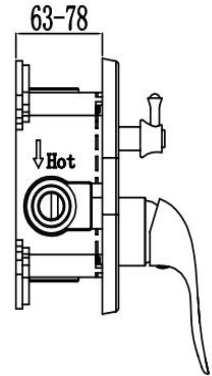
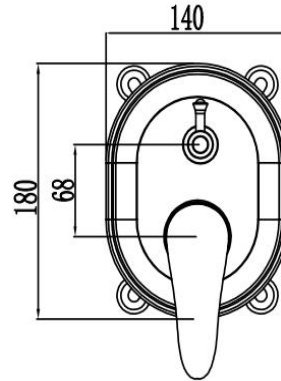
Sealing glue



die nut

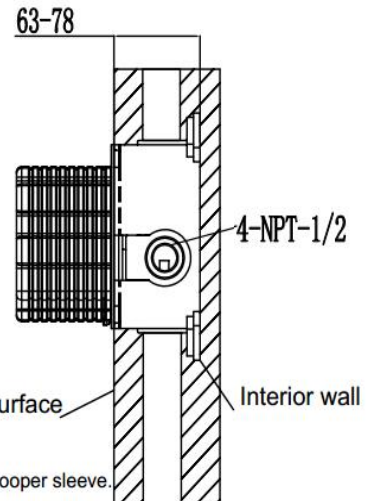
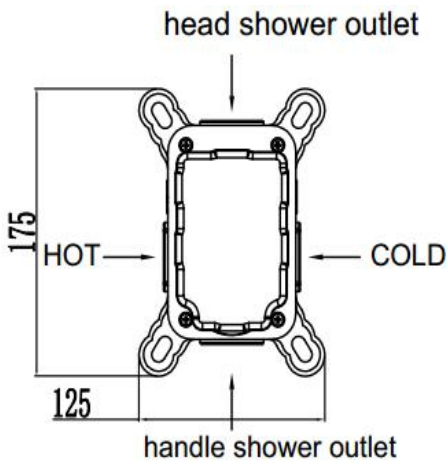


Straight Screwdriver
Phillips Screwdriver



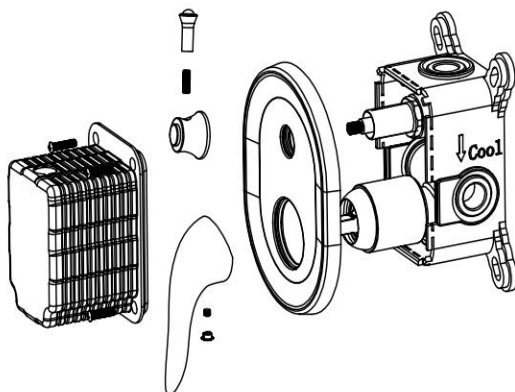
II

1. Installation must be clean at the junction of debris before installation, so as to avoid clogging or leakage.
2. Faucet inlet in correct connection (as shown)
3. The maximum hot water temperature is not higher than 80 °C.
4. If you need to use other connection methods, please contact the supplier first.

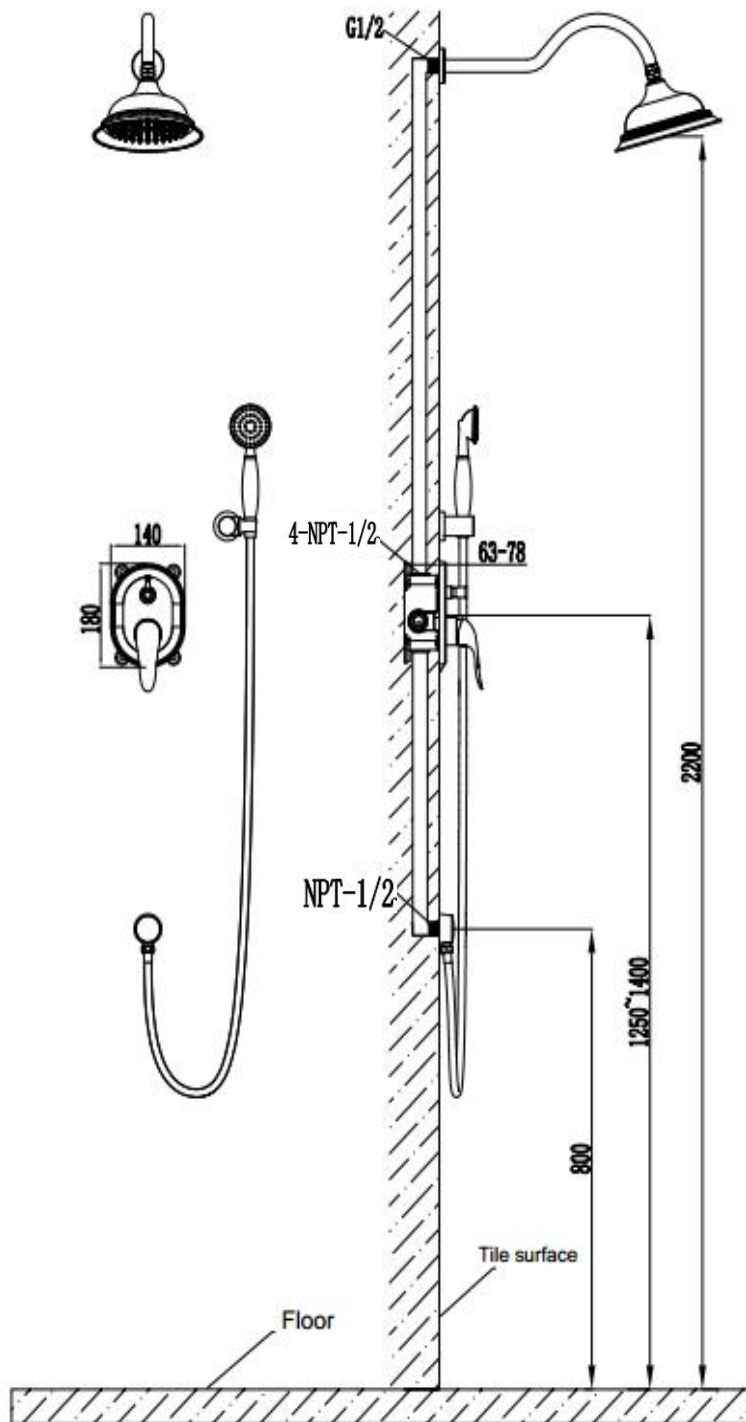


III. After the mixer valve build in wall, please in order to install:

1. Remove the protective cover; 2. Cover the panel; 3. Install the handle and knob.



6042-1 Installation instructions(B)



This picture for your reference only, you can install it according to your own needs.