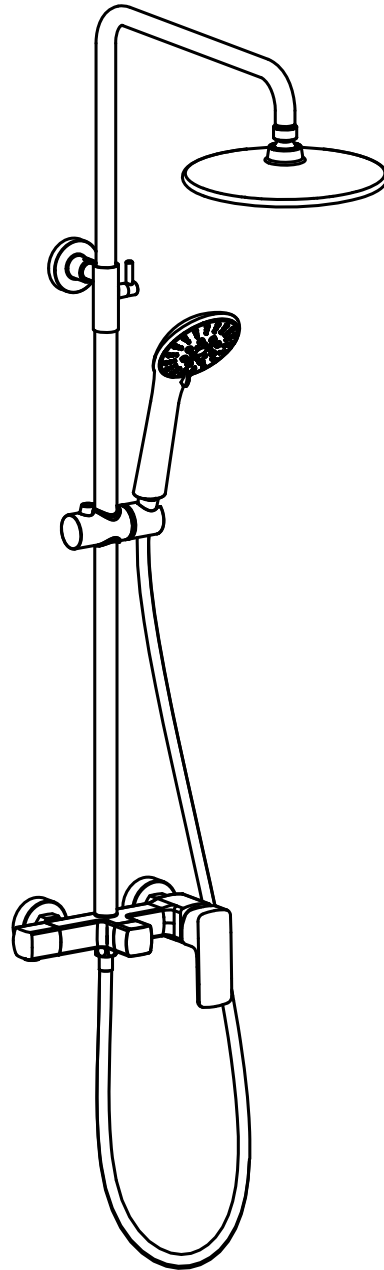


# *Specifications*



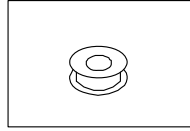
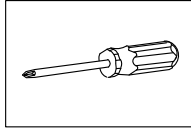
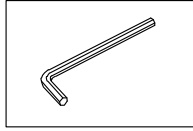
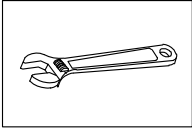
## **DESCRIPTION**

- Brass construction
- Includes Red/Blue indicators

## **CARTRIDGE**

- Ceramic disk cartridge

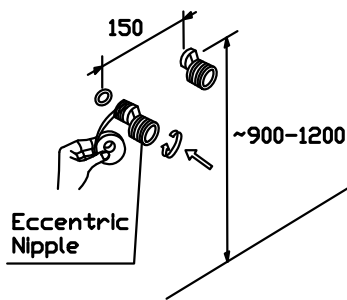
## INSTALLATION MANUAL Tools You Will Need :



Adjustable wrench Hexagon wrench Philips Screwdriver Pipe Tape

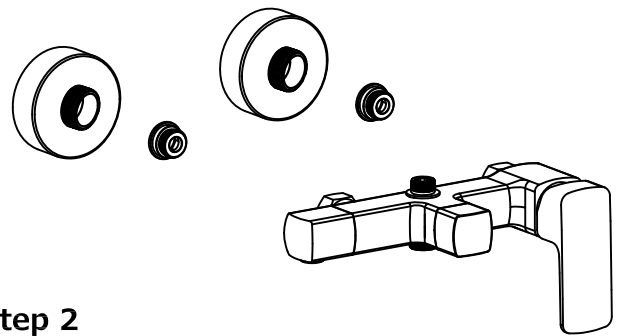
### Notes before installation :

1. Please check that all components are present.
2. Before installation ensure that all feed lines are clear of debris and on/off valve is present.
3. Pictures in the manual are general in content and may not represent exactly your purchased faucet. If you are having difficulties please contact a professional plumber.
4. If you will be away from home for an extended period you should shut off the main water supply.



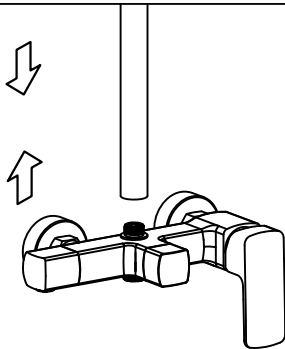
#### Step 1

As shown, install the accessories and attach the tape.



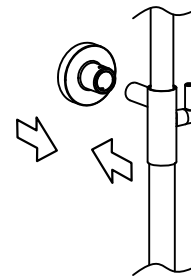
#### Step 2

Install the main body and rubber pad.



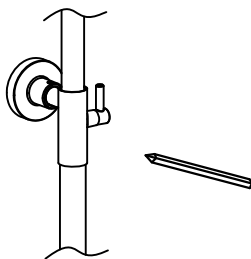
#### Step 3

Install the riser on the faucet.



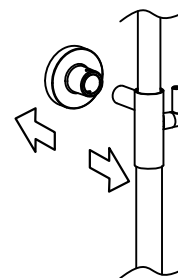
#### Step 4

Install the mounting piece on the shower arm.



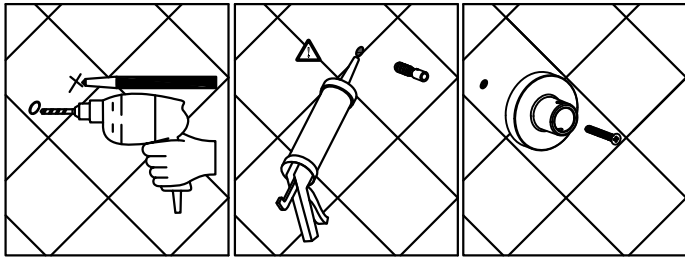
#### Step 5

Makesure the riser is level, mark the position of the screw holes.



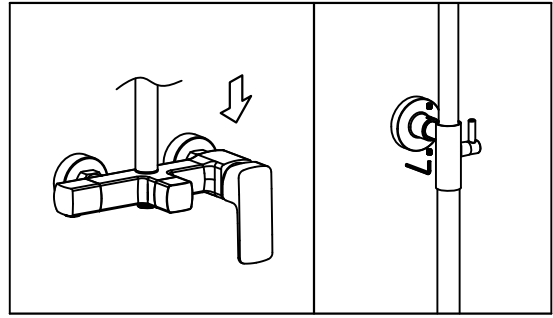
#### Step 6

Remove the riser and the mounting piece.



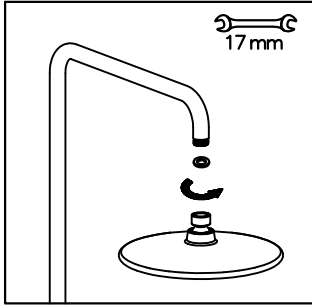
**Step 7**

Drill the screw holes and install the anchors. Install the mounting piece and mounting piece seal.



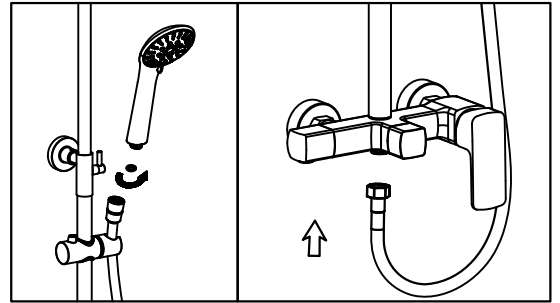
**Step 8**

Install the riser on the faucet, tighten the screw.



**Step 9**

Install the shower rain head.



**Step 10**

Place the hose washer in the short hose end connection. Connect this end of the hose to the faucet. Place the screen washer in the long hose end connection. Install the handshower on this end of the hose. Rest the handshower in the holder.