



Owner's Manual
5-Ton Electric Log Splitter

Manuel de l'utilisateur
Fendeuse de bûches électrique 5 tonnes

Manual de propietario
Partidor de leña eléctrico de 5 toneladas

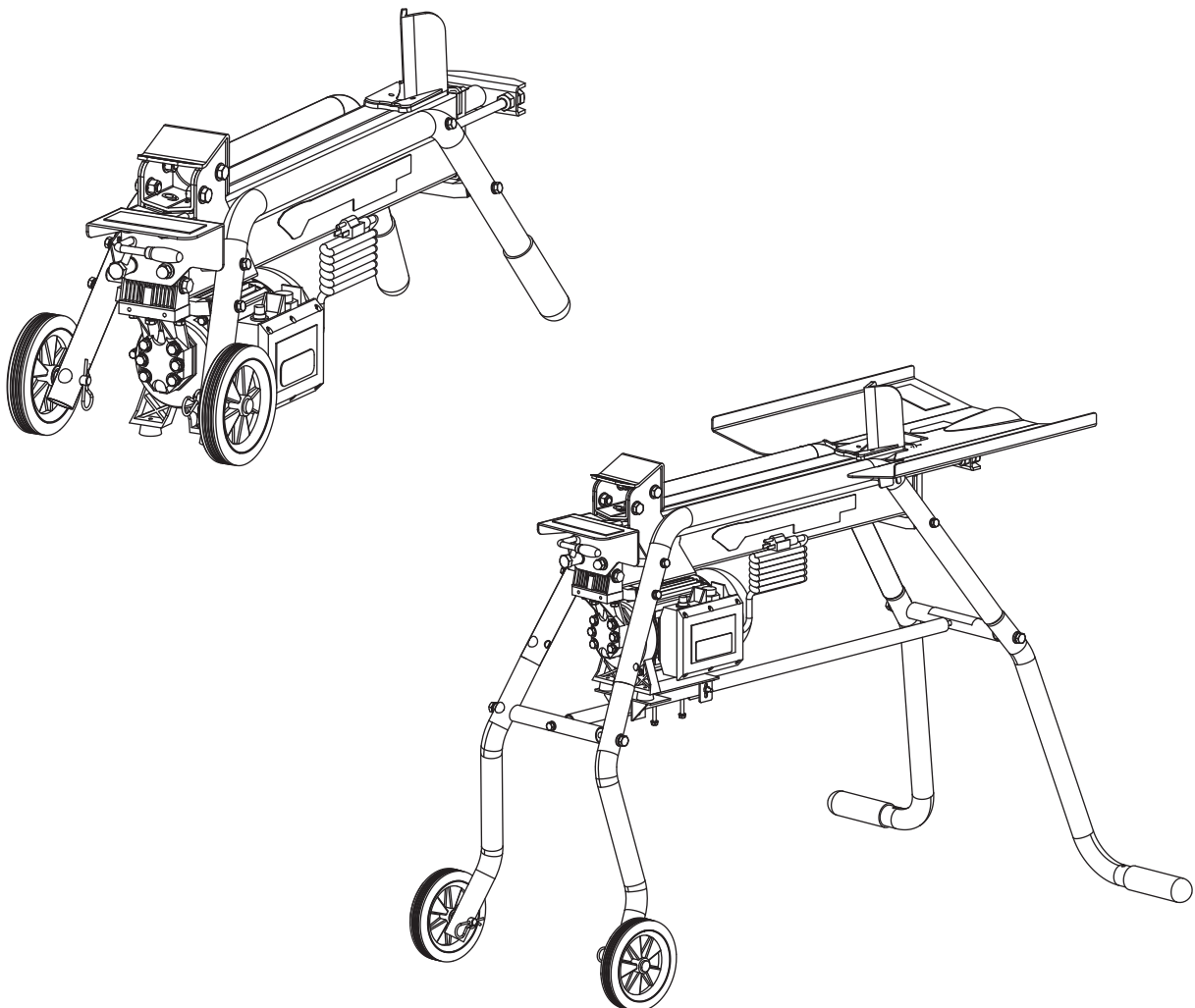
Model #'s, Modèles n°, N.º de modelo:
32228, 32229



ENGLISH

FRANÇAIS

ESPAÑOL



Get parts or technical assistance online at
www.GetEarthquake.com or call (800) 345-6007
Pièces détachées et assistance technique en ligne à
www.GetEarthquake.com ou composer le (800) 345-6007
Obtenga piezas o asistencia técnica en línea en
www.GetEarthquake.com o llame al (800) 345-6007

© 2019-2020 Ardisam
All Rights Reserved
Tous droits réservés
Todos los derechos reservados

P/N: 33819
ECN-12367
REV 1: 04/29/2019



STOP! ACTIVATE YOUR WARRANTY BEFORE USE

All products must be registered *within 30 days* from the date of purchase in order to be covered under warranty. For more information regarding Warranty and Registration please review the Warranty and Registration terms and conditions expressed in the warranty insert.

INTRODUCTION

Thank you for purchasing your product from Earthquake®. We have worked to ensure that this product meets the highest standards for usability and durability. With proper care, your purchase will provide many years of service.

Please read this entire manual before installation and use. Earthquake® reserves the right to change, alter or improve the product and this document at any time without prior notice. Due to continuous product improvements, product images may not be exact. Some assembly may be required.

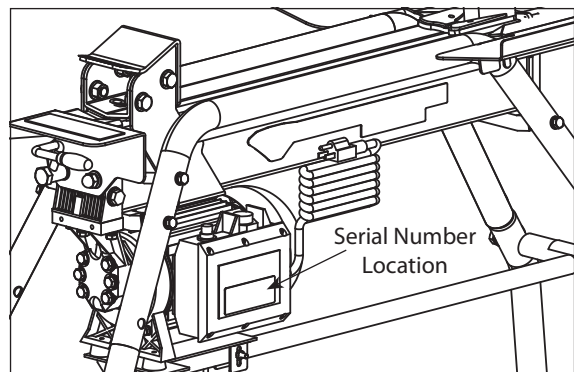
Read and keep this manual for future reference. This manual contains important information regarding safety, assembly, operation and maintenance. The owner must be certain that all the product information is included with the unit. This information includes the manual, the replacement parts and the warranties. This information must be included to make sure state laws and other laws are followed. All persons to whom rent/loan this unit must have access to and understand this information. This manual should remain with the product even if it is resold.

CONTENTS

Introduction/Contents2
 Warnings and Safety Precautions..... 3-4
 Features 5-6
 Assembly 7
 Operation 8
 Maintenance and Storage..... 9
 Troubleshooting and Repair.....10

REGISTRATION AND SERVICE

Record the product model number and serial number in the space provided for easy reference when ordering parts or requesting technical support. Excluding emissions-related warranty items, the warranty is valid only if the completed registration is received by Ardisam within 30 days of purchase. You can register your warranty online by visiting www.GetEarthquake.com, or by mailing it to: Ardisam, 1160 8th Avenue, Cumberland, WI 54829. You may also call our Customer Service department at (800) 345-6007 Mondays through Fridays from 8 a.m. to 5 p.m. CST.



SAFETY AND SAFETY RULES

OWNER'S RESPONSIBILITY

Safe and effective use of the 5-ton electric log splitter is the owner's responsibility.

- Read and follow all safety instructions.
- Maintain the log splitter according to directions and schedule, included in this *Earthquake*® Operator's Manual.
- Check your log splitter before turning it on. Keep guards in place and in working order. Replace damaged, missing or failed parts before using it.
- Ensure that anyone who uses the log splitter is familiar with all controls and safety precautions.

SPECIAL MESSAGES

Your manual contains special messages to bring attention to potential safety concerns, machine damage, as well as helpful operating and servicing information. Please read all the information carefully to avoid injury and machine damage.

NOTE: General information is given throughout the manual that may help the operator perform the operation or service of the machine.

IMPORTANT SAFETY PRECAUTIONS

Please read this section carefully. Operate the electric log splitter according to the safety instructions and recommendations outlined here, and stated throughout the text. Anyone who uses this log splitter must read the instructions carefully and be familiar with the controls.



This symbol signifies important safety instructions, which, if not followed could endanger your personal safety. Read and follow all instructions in this manual before attempting to operate this equipment.

- Do not transport the log splitter with the motor running.
- Dress appropriately when operating the log splitter. Always wear sturdy footwear. Do not wear sandals, sneakers, or open toed shoes, and never operate the log splitter with bare feet. Do not wear loose clothing or jewelry that may get caught in moving parts. Always wear safety goggles for eye protection. Everyday glasses have only impact resistant lenses and are not effective safety glasses.

WARNING

WARNING INDICATES A HAZARD WHICH, IF NOT AVOIDED, COULD RESULT IN DEATH OR SERIOUS INJURY AND/OR PROPERTY DAMAGE.

CAUTION

CAUTION INDICATES YOU CAN BE HURT OR YOUR EQUIPMENT DAMAGED IF THE SAFETY INSTRUCTIONS THAT FOLLOW THIS SIGNAL WORD ARE NOT OBEYED.

IMPORTANT

INDICATES HELPFUL INFORMATION FOR PROPER ASSEMBLY, OPERATION, OR MAINTENANCE OF YOUR EQUIPMENT.

- Always pay full attention to the movement of the log pusher. Do not attempt to load the log onto the log splitter until the log pusher has come to a complete stop. Always keep hands, feet, hair and loose clothing away from any moving parts on the log splitter.
- Do not allow children to operate this log splitter. Adults should not operate the log splitter without proper instruction.
- Do not operate any power equipment under the influence of drugs, alcohol, or any medication that could affect your ability to use the equipment properly.
- Always keep your work area clean and well lit.
- Keep all screws, nuts and bolts tight.
- Always inspect the logs to be split for nails or other foreign objects. The ends of the logs must be cut square. Branches must be cut off flush with the trunk.
- Do not over-reach. Keep proper footing and balance at all times. Never stand on the log splitter. Do not use the log splitter as a step.
- Do not operate the log splitter from ground level. Place log splitter at a comfortable height (24-32 inches), on a stable, flat, and level work surface where there is plenty of room for handling material. Fasten the log splitter to the work surface if it tends to slip, walk, or slide.
- Do not use the log splitter in wet or damp areas or expose it to rain.

- Never try to split logs larger than those indicated in the specifications table. Failure to do so may damage the machine. Do not use the log splitter for anything other than splitting logs. Do not force log through splitter.
- Never use an extension cord that is not rated for outdoor use. The cord should not be longer than 30 feet. The cord should be of a heavy-duty construction (12-10 AWG).
- Check that the electric circuit is adequately protected and corresponds with the power, voltage and frequency of the motor. Check that there is a ground connection and a regulation differential switch upstream. Ground the log splitter. Prevent body contact with ground surfaces: pipes, radiators, ranges, refrigerator enclosures, etc. Never open the pushbutton box on the motor. Make sure your fingers do not touch the plug's metal prongs when plugging in or unplugging the log splitter.
- Do not remove jammed logs with your hands. If an object becomes lodged in the ram, unplug electric motor before attempting to remove the foreign object.
- Do not use the log splitter in areas where fumes from paint, solvents, or flammable liquids pose a potential fire/explosion hazard.
- Use only original equipment parts from Ardisam, Inc., including all nuts and bolts.
- Disconnect power by unplugging power cord when not in use, before making adjustments, changing parts, cleaning, or working on the log splitter.
- Maintain and keep the log splitter clean for the best and safest performance.

STEPS FOR WORKING ON ELECTRIC LOG SPLITTER

1. Turn off motor switch. Unplug motor.
2. Replace or repair the part on the log splitter.
3. Check all parts that were repaired, or removed during repair, to ensure they are secure and fit correctly.

NOTE: All repair parts must come from the factory. Never replace parts that are not specifically designed for this log splitter.

SAFETY DECAL

The *Earthquake*® Electric Log Splitter has been designed and manufactured to provide you with the safety and reliability you would expect from an industry leader in outdoor power equipment manufacturing.

Reading this manual, and the safety instructions it contains, will provide you with the necessary knowledge to operate this equipment safely and effectively. We have placed a safety decal on the log splitter to remind you of some of the important information while you are operating the unit.

This important safety decal is illustrated below, and is shown here to help familiarize you with the location and content of the safety messages you will see as you perform normal log splitting operations. Please review this decal now, and if you have any questions regarding its meaning or complying with these instructions, reread the complete safety instruction text in this manual, or contact your local dealer.

The warning symbols below are located on the label affixed to the control lever guard. Follow the safety instructions necessary for safe, effective operation of your log splitter.

SPECIFICATIONS AND ELECTRICAL REQUIREMENTS

APPLICATION CONDITIONS

The *Earthquake*® 5-Ton Electric Log Splitter has been designed as a home use model only. It is designed for operating at ambient temperatures between 40° F. and 105° F. The log splitter can be stored or transported under ambient temperatures between -10° F. and 130° F.

SPECIFICATIONS

Model Number		32228	32229
Motor		120V~60Hz 1500W IP54	
Circuit Protection Requirements		20 Amps (Amperes)	
Log Capacity	Diameter *	2 - 10 inches	
	Length	20 inches	
Splitting Force		5 ton	
Hydraulic Pressure		2,300 psi	
Hydraulic Oil Capacity		3.75 quarts	
Overall Size	Length	40.5 in	49.0 in
	Width	13.9 in	37.0 in
	Height	18.1 in	39.0 in
Weight		105 lb	135 lb

*Recommended diameter of the log - a small log can be difficult to split when it contains knobs or a particularly tough fiber. On the other hand, it may not be difficult to split logs with regular fibers even if its diameter exceeds the maximum diameter described in the specifications chart.

ELECTRICAL REQUIREMENTS

Connect the main leads to a standard 110V ±10% electrical supply which has protection devices under-voltage, over-voltage, over-current, as well as a ground fault circuit interrupter (GFCI) or a ground fault interrupter (GFI) with a maximum residual current of 0.03A.

SET-UP AND PRE-OPERATION

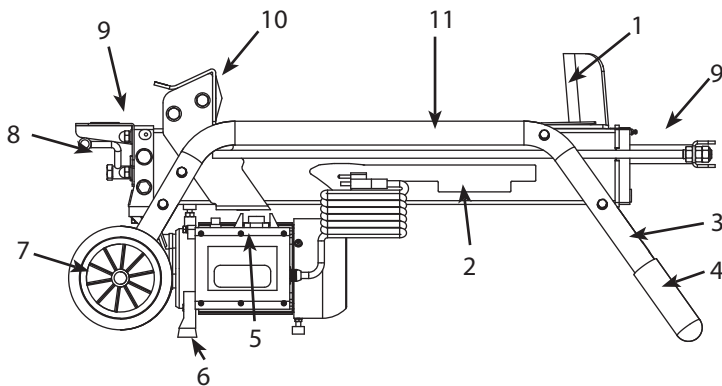


Figure 1

Before attempting to use, familiarize yourself with all the operating features and safety requirements of your log splitter. (SEE FIGURE 1)

- | | |
|--|--|
| 1. Wedge | 8. 2-hand operating hydraulic control lever |
| 2. Oil tank | 9. Safety guard for 2-hand operating hydraulic control lever |
| 3. Carrying handle | 10. Log pusher |
| 4. Supporting leg | 11. Log cradle |
| 5. Motor w/push switch & circuit breaker | |
| 6. Rubber feet | |
| 7. Rolling wheel | |

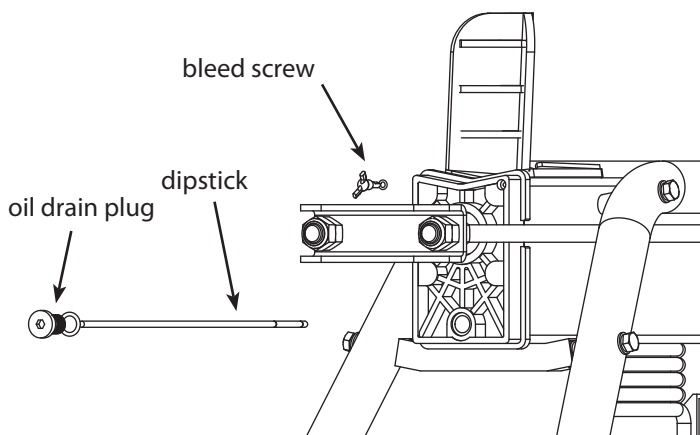


Figure 2

! WARNING

FOR YOUR OWN SAFETY, DO NOT CONNECT THE LOG SPLITTER TO THE POWER SOURCE UNTIL THE MACHINE IS COMPLETELY ASSEMBLED AND YOU READ AND UNDERSTAND THE ENTIRE INSTRUCTION MANUAL.

FOR YOUR OWN SAFETY, NEVER FORGET TO BOLT THE WHEEL BRACKET TO THE LOG SPLITTER, LIFT THE LOG SPLITTER BY THE HANDLES AT BOTH ENDS AND PLACE IT ON A 24-32IN HIGH, STABLE, FLAT AND LEVEL WORK SURFACE.

NEVER USE THE LOG SPLITTER IF IT IS NOT IN PERFECT ORDER OR IF IT NEEDS SERVICING. BEFORE STARTING WORK, CHECK CORRECT FUNCTIONING OF ALL THE CONTROLS (HYDRAULIC LEVER, PUSH BUTTON).

! CAUTION

FAILURE TO LOOSEN THE BLEED SCREW WILL RESULT IN AIR BEING COMPRESSED AND DECOMPRESSED IN THE HYDRAULIC SYSTEM. CONTINUOUS AIR COMPRESSION AND DECOMPRESSION WILL BLOW OUT THE SEALS OF THE HYDRAULIC SYSTEM AND CAUSE PERMANENT DAMAGE TO THE LOG SPLITTER.

! CAUTION

DO NOT ADJUST THE MAXIMUM PRESSURE LIMITING SCREW. THE PRESSURE LIMITING SCREW HAS BEEN SEALED AT THE FACTORY TO PREVENT UNAUTHORIZED ADJUSTING. RESETTNG THE SCREW WILL CAUSE THE HYDRAULIC PUMP TO FAIL TO OUTPUT ENOUGH SPLITTING PRESSURE OR CAUSE TOO MUCH PRESSURE, WHICH MAY RESULT IN SERIOUS INJURY, AS WELL AS DAMAGE TO THE MACHINE.

IMPORTANT

BEFORE OPERATING THE LOG SPLITTER, THE BLEED SCREW SHOULD BE LOOSENED BY 3-4 ROTATIONS SO AIR CAN GO IN AND OUT OF THE OIL TANK SMOOTHLY. AIR FLOW THRU THE BLEED SCREW HOLE SHOULD BE DETECTABLE DURING LOG SPLITTER OPERATION. BEFORE MOVING THE LOG SPLITTER, MAKE SURE THE BLEED SCREW IS TIGHTENED TO AVOID OIL LEAKAGE FROM THIS POINT. (SEE FIGURE 2)

ASSEMBLY

1. Install the wheels by inserting the axles into each leg.
2. Insert the hairpin into each of the axles. **(SEE FIGURE 3)**

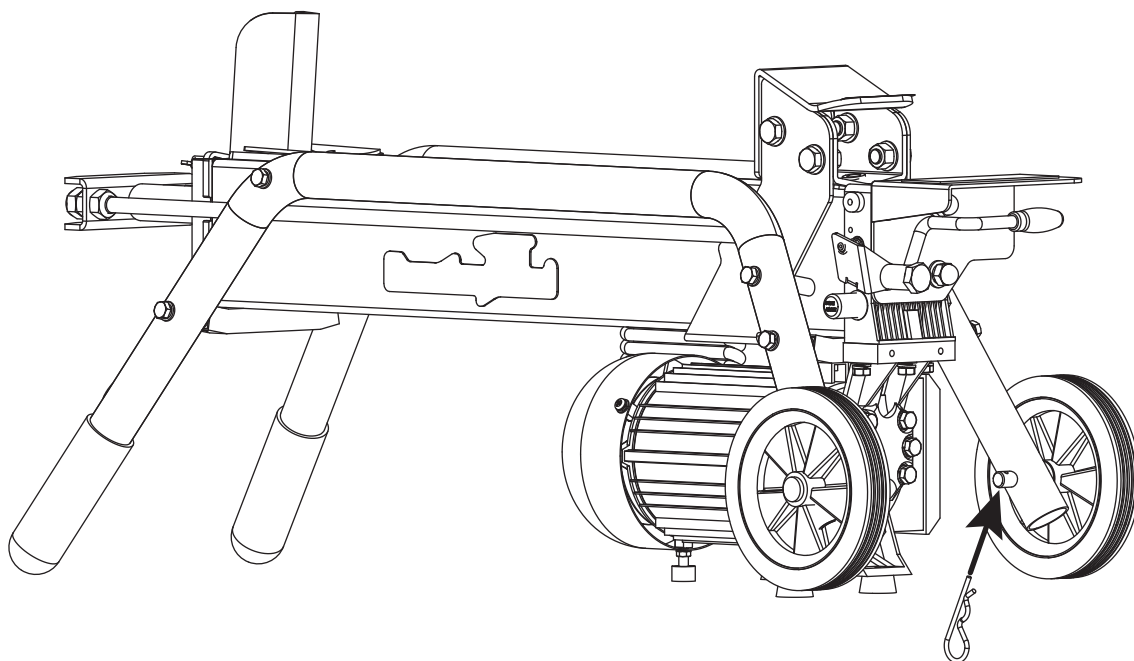


Figure 3

LOG SPLITTER OPERATION

The *Earthquake*® 5-Ton Electric Log Splitter requires the use of both hands to operate. The user's left hand controls the hydraulic control lever, while the right hand controls the push button switch. The log splitter will freeze upon absence of either hand. The log pusher will return back to the starting position only after both hands release the controls. (SEE FIGURE 4)

Split the log in the direction of its grain. Placing logs across the log splitter for splitting is dangerous and may seriously damage the machine. Do not attempt to split two logs at the same time.

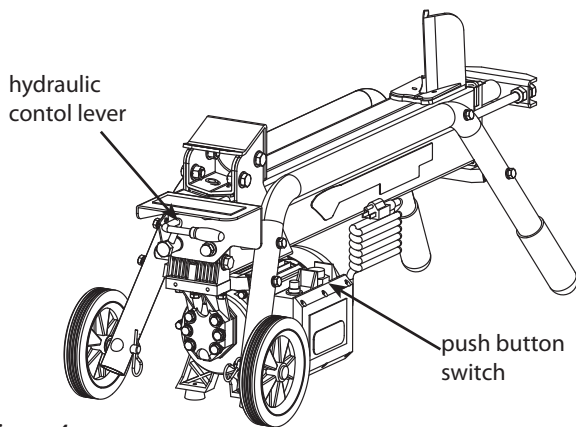


Figure 4

FREEING A JAMMED LOG

1. Release both controls.
2. Once the log pusher completely stops at its starting position, insert a wood wedge under the jammed log. (SEE FIGURE 5)
3. Start the log splitter to push the wood wedge under the jammed log.
4. Repeat above procedure with sharper sloped wood wedges until the log is completely freed.

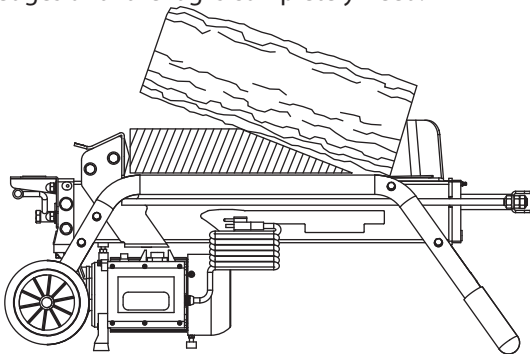


Figure 5

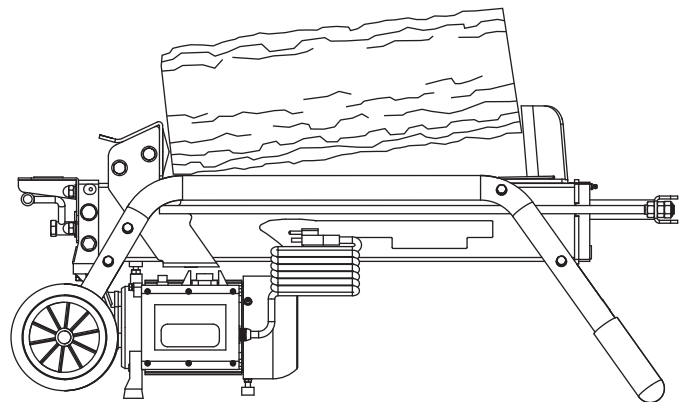


Figure 6

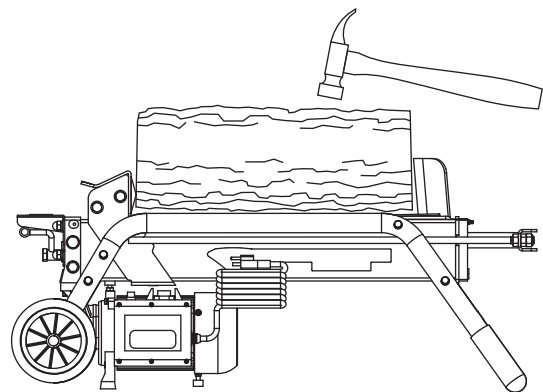


Figure 7

CAUTION

NEVER FORCE PRESSURE ON THE LOG SPLITTER FOR MORE THAN 5 SECONDS IN ORDER TO SPLIT EXCESSIVELY HARD WOOD.

CAUTION

ALWAYS SET LOGS FIRMLY ON THE LOG CRADLE AND WORK TABLE. MAKE SURE LOGS WILL NOT TWIST, ROCK OR SLIP WHILE BEING SPLIT. DO NOT FORCE THE WEDGE BY SPLITTING THE UPPER PART OF THE LOG. THIS WILL BREAK THE WEDGE OR DAMAGE THE MACHINE. (SEE FIGURE 6)

CAUTION

DO NOT TRY TO KNOCK THE JAMMED LOG OFF THE WEDGE USING A HAMMER OR OTHER DEVICE. (SEE FIGURE 7)

MAINTENANCE

REPLACING HYDRAULIC OIL

Replace the hydraulic oil in the log splitter after every 150 hours of use. Take the following steps to replace the oil.

1. Make sure all moving parts are stopped and the log splitter is unplugged.
2. Remove oil drain bolt and dipstick. Make sure bleed screw is closed tight. **(SEE FIGURE 8)**
3. Turn the log splitter on the support leg side over using a one gallon or larger capacity container to drain the hydraulic oil. **(SEE FIGURE 9)**
4. Turn the log splitter on the motor side. **(SEE FIGURE 10)**
5. Refill with 3.75 quarts of fresh hydraulic oil.
6. While keeping the log splitter vertical, clean the surface of dipstick on the oil drain bolt and put it back into the oil tank.
7. Make sure the level of the refilled oil is between the two grooves around the dipstick.
8. Clean the oil drain bolt before re-threading it back in. Make sure the bolt is tightened to avoid leakage before placing the log splitter horizontally.

IMPORTANT: LOOSEN BLEED SCREW 3-4 TURNS BEFORE OPERATION.

Periodically check oil level to ensure it is between the two grooves around the dipstick. If the level is below the lower limit, fill until level is correct.

The following hydraulic oils, or equivalent, are recommended for the log splitter's hydraulic pump:

SHELL Tellus 22

MOBIL DTE 11

ARA Vitam GF 22

BP Energol HLP-HM 22

SHARPENING WEDGE

When the log splitter wedge becomes dull and/or worn, sharpen the wedge using a fine-toothed file and smooth any burrs or crushed areas along the cutting edge.

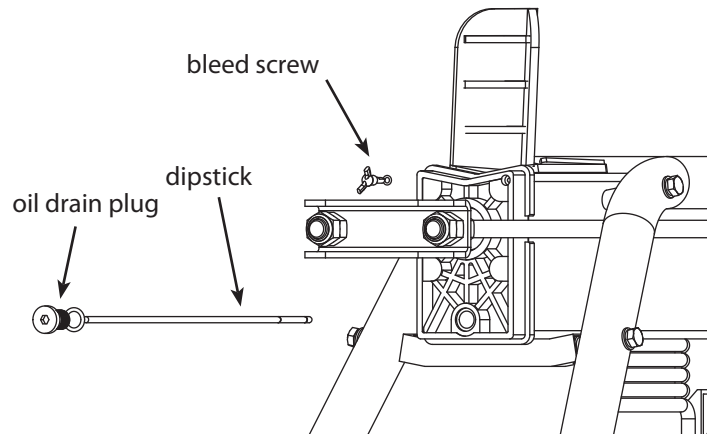


Figure 8

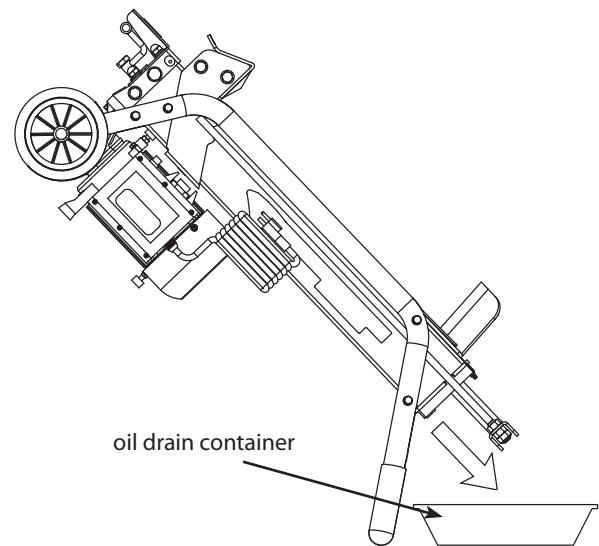


Figure 9

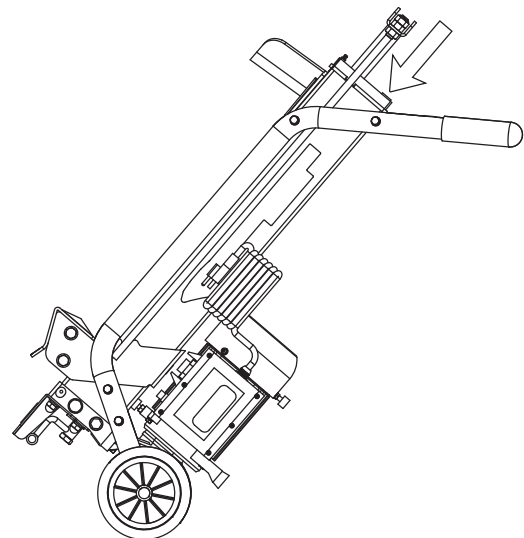


Figure 10

SERVICE, TROUBLESHOOTING AND REPAIR

SERVICE INFORMATION

IMPORTANT

IN CASE OF A SERVICE PROBLEM, DO NOT SEND UNIT BACK TO RETAILER. CONTACT ARDISAM, INC., AT 1-800-345-6007, ANY TIME MONDAY THROUGH FRIDAY FROM 8 A.M. TO 5 P.M. WE WELCOME YOUR CALL.

In the event you experience trouble operating your log splitter, follow the suggestions in the troubleshooting guide in this section.

The guide will help you pinpoint the causes of common problems and identify remedies.

For more complicated repairs you may want to rely on your retailer, an authorized mechanic, or Ardisam, Inc. (Contact your retailer for a list of authorized mechanics in your area). A parts catalog is included in this section.

We will always be glad to answer any questions you have, or help you find suitable assistance. To order parts or inquire about warranty, call or write us at the address found in the next column, under the section ordering repair parts.

ORDERING REPAIR PARTS

Parts can be obtained from the store where your log splitter was purchased or direct from the factory. To order from the factory, call or write to:

Ardisam, Inc.
1160 Eighth Avenue, Cumberland, WI 54829
Phone 800-345-6007 Main Fax (715) 822-2223
E-mail: info@getearthquake.com

Please include the following information with your order:

1. Part numbers
2. Part description
3. Quantity
4. Model number and serial number

Minimum Order.....\$10

TROUBLESHOOTING

PROBLEM	POSSIBLE CAUSE	REMEDY/ACTION
Fails to split logs	1. Log is improperly positioned	1. Refer to Log Splitter Operation Section for log loading
	2. The size or hardness of the log exceeds the capacity of the machine	2. Reduce the log size before splitting on the log splitter
	3. Wedge cutting edge is blunt	3. Refer to Sharpening Wedge Section to sharpen the cutting edge
	4. Oil leaks	4. Locate leak(s) and contact Customer Service
	5. Unauthorized adjustment was made to the maximum pressure limiting screw	5. Contact Customer Service
The log pusher moves with a jerking motion, makes an unfamiliar noise or vibrates excessively	1. Lack of hydraulic oil and excessive air in the hydraulic system	1. Check oil level for possible oil refilling. Contact Customer Service.
Oil leak occurs around cylinder ram or from other points	1. Air sealed in hydraulic system while operating	1. Loosen bleed screw 3-4 rotations before operating the log splitter
	2. Bleed screw is not tightened before moving the log splitter	2. Tighten the bleed screw before moving the log splitter
	3. Oil drain bolt with dipstick is not tight	3. Tighten the oil drain bolt with dipstick
	4. Hydraulic control valve assembly and/or seal(s) worn	4. Contact Customer Service

Contact Customer Service at 800-435-6007 M-F 8-5.



ARRÊTEZ! ACTIVEZ LA GARANTIE AVANT UTILISATION

Tous les produits doivent être enregistrés *dans les 30 jours* à compter de la date d'achat pour être couverts par la garantie. Pour plus d'information sur la garantie et l'enregistrement, veuillez consulter les modalités et conditions de la garantie et de l'enregistrement figurant dans l'encart de garantie.

INTRODUCTION

Merci d'avoir acheté ce produit Earthquake®. Nous nous sommes attachés à ce que ce produit réponde aux plus hautes normes d'utilisation et de durabilité. Moyennant des soins corrects, votre achat offrira de nombreuses années de service fiable.

Lire ce manuel en entier avant de l'installer et de l'utiliser. Earthquake® se réserve le droit de changer, modifier ou améliorer ce produit et cette documentation à tout moment sans préavis. En raison des constantes améliorations de nos produits, les représentations du produit peuvent être inexactes. Un certain assemblage peut être requis.

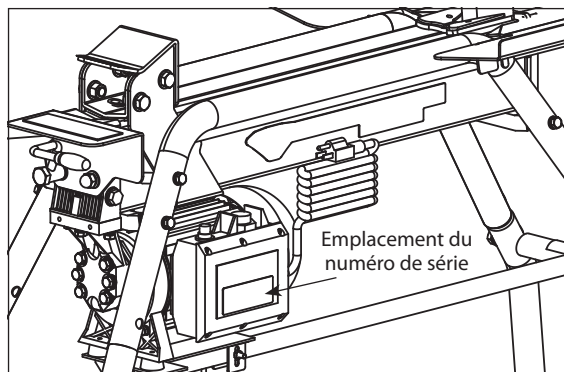
Lire ce manuel et le conserver pour toute consultation ultérieure. Ce manuel contient des renseignements importants concernant la sécurité, l'assemblage, l'utilisation et l'entretien. Le propriétaire doit veiller à ce que toute la documentation sur le produit soit fournie avec l'appareil. Cette documentation comprend le manuel, la liste des pièces de rechange et les garanties. Cette documentation doit être fournie en vertu de la réglementation en vigueur. Toutes les personnes à qui cette machine est louée/prêtée doivent avoir accès à ces informations et les comprendre. Le présent manuel doit rester avec le produit, notamment s'il est revendu.

SOMMAIRE

Introduction / Sommaire	12
Avertissements et mesures de précaution.....	13-14
Caractéristiques	15-16
Assemblage.....	17
Utilisation	18
Entretien et entreposage.....	19
Dépannage et réparation	20

ENREGISTREMENT ET SERVICE APRÈS-VENTE

Consigner le numéro de modèle et le numéro de série du produit dans l'espace prévu pour y accéder facilement lors des commandes de pièces détachées ou des demandes d'assistance technique. À l'exception des articles couverts par la garantie sur le contrôle des émissions, la garantie est valable uniquement si l'enregistrement dûment rempli est reçu par Ardisam dans les 30 jours après l'achat. L'enregistrement de la garantie peut se faire en ligne à www.GetEarthquake.com ou par courrier à : Ardisam, 1160 8th Avenue, Cumberland, WI 54829, États-Unis. Il est aussi possible d'appeler notre Service après-vente au (800) 345-6007 du lundi au vendredi de 8h00 à 17h00 HNC.



SÉCURITÉ ET RÈGLES DE SÉCURITÉ

RESPONSABILITÉ DU PROPRIÉTAIRE

L'utilisation sûre et efficace de la fendeuse de bûches électrique 5 tonnes relève de la responsabilité de l'utilisateur.

- Lire et respecter toutes les instructions de sécurité.
- Entretien de la fendeuse de bûches conformément aux instructions et au calendrier figurant dans le manuel de l'utilisateur *Earthquake*®.
- Contrôler la fendeuse de bûches avant de la mettre en marche. Maintenir les protections en place et en bon état de marche. Changer les pièces endommagées, manquantes ou défectueuses avant de l'utiliser.
- S'assurer que quiconque utilise la fendeuse de bûches est familiarisé avec toutes les commandes et mesures de précaution.

MESSAGES SPÉCIAUX

Ce manuel contient des messages spéciaux attirant l'attention sur des problèmes de sécurité et dommages potentiels à la machine, ainsi que des informations utiles sur l'utilisation et l'entretien. Veiller à lire toutes ces informations avec attention pour éviter les blessures et les dommages à la machine.

REMARQUE : Des informations générales sont fournies à travers ce manuel pouvant aider l'opérateur dans l'utilisation ou l'entretien de la machine.

MESURES DE PRÉCAUTION IMPORTANTES

Veiller à lire cette section avec attention. Utiliser la fendeuse de bûches électrique conformément aux instructions et conseils de sécurité fournis ici et tout au long du manuel. Quiconque utilise cette fendeuse de bûches doit lire les instructions et être familiarisé avec les commandes.



Ce symbole signale des instructions de sécurité importantes qui doivent être respectées pour ne pas mettre en danger la sécurité des personnes. Lire et respecter toutes les instructions du manuel avant de tenter de faire fonctionner ce matériel.

- Ne pas transporter la fendeuse avec le moteur en marche.
- Porter une tenue adaptée à l'utilisation de la fendeuse. Toujours porter des chaussures robustes. Ne pas porter de sandales, de chaussures de sport ni de chaussures ouvertes et ne jamais utiliser la fendeuse de bûches pieds nus. Ne pas porter de vêtements amples ni de bijoux susceptibles d'être happés dans les pièces en mouvement. Toujours porter des lunettes de sécurité pour protéger les yeux. Les lunettes courantes comportent uniquement des verres antichoc et ne constituent pas des lunettes de sécurité efficaces.



AVERTISSEMENT

AVERTISSEMENT INDIQUE UN DANGER QUI, S'IL N'EST PAS ÉVITÉ, PEUT PROVOQUER LA MORT OU DES BLESSURES CORPORELLES ET/OU DÉGÂTS MATÉRIELS GRAVES.



ATTENTION

ATTENTION INDIQUE UN RISQUE DE BLESSURES OU DE DOMMAGES AU MATÉRIEL SI LES INSTRUCTIONS DE SÉCURITÉ QUI SUIVENT CE MOT-INDICATEUR NE SONT PAS RESPECTÉES.

IMPORTANT

SIGNELE DES INFORMATIONS UTILES CONCERNANT L'ASSEMBLAGE, L'UTILISATION OU L'ENTRETIEN DU MATÉRIEL.

- Veiller à toujours être attentif aux mouvements du poussoir de bûche. Ne pas tenter de charger la bûche sur la fendeuse avant l'arrêt complet du poussoir. Toujours tenir les mains, les pieds, les cheveux et les vêtements amples à l'écart de toute pièce en mouvement de la fendeuse de bûches.
- Ne pas laisser d'enfant utiliser cette fendeuse. Les adultes ne doivent pas utiliser cette fendeuse sans instruction appropriée.
- Ne pas utiliser de machine à moteur alors qu'on est sous l'emprise de drogue, d'alcool ou de tout médicament susceptible d'altérer les capacités à utiliser la machine correctement.
- Toujours maintenir la zone de travail propre et bien éclairée.
- Maintenir tous les boulons, vis et écrous bien serrés.
- Toujours vérifier que les bûches à fendre ne contiennent pas de clous ou autres objets étrangers. Les extrémités des bûches doivent être coupées d'équerre. Les branches doivent être coupées au ras du tronc.
- Ne pas trop se pencher vers l'avant. Garder le pied ferme et un bon équilibre en toutes circonstances. Ne jamais se tenir sur la fendeuse de bûches. Ne pas utiliser la fendeuse en guise de marchepied.
- Ne pas utiliser la fendeuse de bûches au niveau du sol. Placer la fendeuse à une hauteur confortable (60 à 80 cm [24 à 32 po]), sur une surface de travail stable, plane et de niveau offrant suffisamment de place pour manipuler les matériaux. Attacher la fendeuse à la surface de travail si elle a tendance à se déplacer.
- Ne pas utiliser la fendeuse dans des endroits mouillés ou humides ni l'exposer à la pluie.

- Ne jamais tenter de fendre des bûches plus grosses que celles indiquées dans les données techniques. Cela peut endommager la machine. Ne pas utiliser la fendeuse autrement que pour fendre des bûches. Ne pas forcer la bûche à travers la fendeuse.
- Ne jamais utiliser de cordon de rallonge qui n'est pas conçu pour être utilisé à l'extérieur. Le cordon ne doit pas dépasser 9 m (30 pi) de longueur. Le cordon doit être de fabrication robuste (12 à 10 AWG).
- Vérifier que le circuit électrique est suffisamment protégé et correspond à la puissance, la tension et la fréquence du moteur. Vérifier qu'il y a une mise à la terre et un sectionneur différentiel en amont. Mettre la fendeuse de bûches à la terre. Éviter tout contact du corps avec des surfaces reliées à la terre : tuyaux, radiateurs, cuisinières, réfrigérateurs, etc. Ne jamais ouvrir le boîtier de bouton-poussoir sur le moteur. Veiller à ne pas toucher les broches métalliques de la fiche avec les doigts lorsqu'on branche ou débranche la fendeuse de bûches.
- Ne pas retirer les bûches coincées avec les mains. Si un objet s'est logé dans le vérin, débrancher le moteur électrique avant de tenter d'extraire l'objet étranger.
- Ne pas utiliser la fendeuse dans des endroits où des vapeurs de peinture, de solvants ou de liquides inflammables présentent un risque d'incendie ou d'explosion.
- Utiliser exclusivement des pièces d'origine Ardisam, Inc., y compris tous les écrous et boulons.
- Débrancher le cordon électrique pour couper l'alimentation lorsque la machine n'est pas utilisée ou avant d'effectuer des réglages, de changer des pièces, de nettoyer ou de travailler sur la fendeuse.
- Entretenir la fendeuse et la garder propre pour assurer un fonctionnement optimal et sécuritaire.

POUR TRAVAILLER SUR LA FENDEUSE DE BÛCHES ÉLECTRIQUE

1. Mettre l'interrupteur du moteur en position d'arrêt. Débrancher le moteur.
2. Remplacer ou réparer la pièce défectueuse sur la fendeuse.
3. Vérifier que toutes les pièces réparées ou démontées durant la réparation sont correctement remontées et bien serrées.

REMARQUE : Toutes les pièces de rechange doivent provenir de l'usine. Ne jamais utiliser de pièces de rechange qui ne sont pas spécifiquement conçues pour fendeuse de bûches.

AUTOCOLLANT DE SÉCURITÉ

Cette fendeuse de bûches électrique *Earthquake*® est conçue et fabriquée pour offrir toute la sécurité et la fiabilité qu'on est en droit d'attendre d'un leader du marché de l'outillage motorisé pour travaux extérieurs.

Le présent manuel et les instructions de sécurité qu'il contient fournissent les connaissances nécessaires pour utiliser ce matériel efficacement et en toute sécurité. Nous avons apposé un autocollant de sécurité sur la fendeuse de bûches pour rappeler certaines des informations importantes à l'opérateur durant l'utilisation de la machine.

Cet important autocollant est illustré ci-dessous afin de familiariser l'opérateur avec l'emplacement et le contenu des messages de sécurité visibles durant les opérations normales de fendage de bûches. Veiller à l'examiner maintenant et, en cas de doute concernant sa signification ou le respect de ces instructions, relire complètement les instructions de sécurité du manuel ou s'adresser au concessionnaire local.

Les symboles de mise en garde ci-dessous figurent sur l'autocollant apposé sur le protège-main du levier de commande. Veiller à respecter les mesures de précaution nécessaires à une utilisation sécuritaire et efficace de la fendeuse de bûches.

DONNÉES TECHNIQUES ET ALIMENTATION ÉLECTRIQUE

CONDITIONS D'EXPLOITATION

La fendeuse de bûches électrique 5 tonnes *Earthquake*® est destinée à une utilisation domestique seulement. Elle est conçue pour fonctionner à des températures ambiantes comprises entre 4 °C et 41 °C (40 °F et 130 °F). La fendeuse de bûches peut être entreposée ou transportée à des températures ambiantes comprises entre -23 °C et 54 °C (-10 °F et 130 °F).

DONNÉES TECHNIQUES

Numéro de modèle		32228	32229
Moteur		120 V~ 60 Hz 1500 W IP54	
Protection de circuit requise		20 A (ampères)	
Bûche admissible	Diamètre *	5 à 25 cm (2 à 10 po)	
	Longueur	50 cm (20 po)	
Force de fendage		5 tonnes	
Pression hydraulique		2300 psi	
Capacité de liquide hydraulique		3,55 l (3,75 pte)	
Dimensions hors tout	Longueur	1029 mm (40,5 po)	1245 mm (49,0 po)
	Largeur	353 mm (13,9 po)	940 mm (37,0 po)
	Hauteur	460 mm (18,1 po)	991 mm (39,0 po)
Poids		47,6 kg (105 lb)	61,2 kg (135 lb)

*Diamètre recommandé des bûches - une petite bûche peut être difficile à fendre si elle contient des nœuds ou une fibre particulièrement résistante. Par contre, il peut être facile de fendre des bûches aux fibres régulières, même si leur diamètre dépasse le maximum indiqué dans les données techniques.

ALIMENTATION ÉLECTRIQUE

Raccorder le câble principal à une alimentation électrique 110 V $\pm 10\%$ standard équipée de dispositifs de protection contre les sous-tension, les surtensions et les surintensités, ainsi que d'un disjoncteur différentiel (GFCI ou GFI) de courant résiduel maximal de 0,03 A.

INSTALLATION ET PRÉPARATION À L'UTILISATION

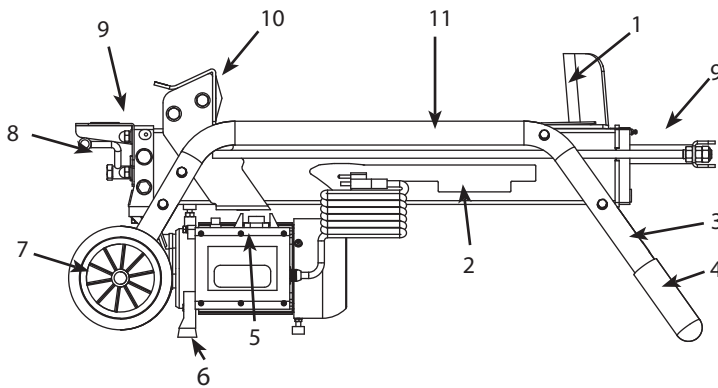


Figure 1

Avant d'utiliser la fendeuse de bûches, veiller à se familiariser avec toutes ses caractéristiques de fonctionnement et exigences de sécurité. **(VOIR FIGURE 1)**

- | | |
|---|--|
| 1. Coin | 8. Levier de commande hydraulique d'actionnement à 2 mains |
| 2. Réservoir d'huile | 9. Protège-main du levier de commande hydraulique |
| 3. Poignée de transport | 10. Poussoir de bûche |
| 4. Pied d'appui | 11. Repose-bûche |
| 5. Moteur avec bouton-poussoir et disjoncteur | |
| 6. Pieds en caoutchouc | |
| 7. Roue de transport | |

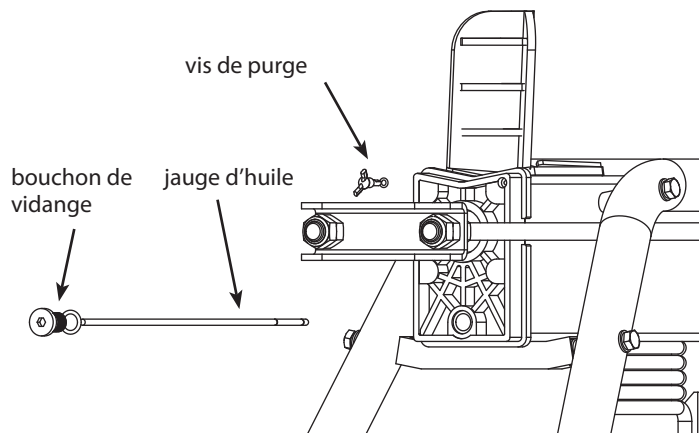


Figure 2

AVERTISSEMENT

PAR MESURE DE SÉCURITÉ, NE PAS BRANCHER LA FENDEUSE DE BÛCHES SUR UNE SOURCE D'ALIMENTATION ÉLECTRIQUE AVANT D'AVOIR COMPLÈTEMENT ASSEMBLÉ LA MACHINE ET D'AVOIR LU ET COMPRIS LE MANUEL D'INSTRUCTIONS EN ENTIER.

PAR MESURE DE SÉCURITÉ, VEILLER À BIEN BOULONNER LE SUPPORT DE ROUE À LA FENDEUSE DE BÛCHES, À SOULEVER LA FENDEUSE PAR LES POIGNÉES AUX DEUX EXTRÉMITÉS ET À LA POSER SUR UNE SURFACE DE TRAVAIL STABLE, PLANE ET DE NIVEAU À UNE HAUTEUR DE 60 À 80 CM (24 À 32 PO).

NE JAMAIS UTILISER LA FENDEUSE DE BÛCHES SI ELLE N'EST PAS EN PARFAIT ÉTAT DE MARCHÉ OU QU'ELLE NÉCESSITE UN ENTRETIEN OU UNE RÉPARATION. AVANT DE COMMENCER À TRAVAILLER, VÉRIFIER LE BON FONCTIONNEMENT DE TOUTES LES COMMANDES (LEVIER HYDRAULIQUE, BOUTON-POUSOIR).

ATTENTION

VEILLER À BIEN DESSERRER LA VIS DE PURGE POUR ÉVITER QUE DE L'AIR SOIT COMPRIMÉ ET DÉTENDU DANS LE CIRCUIT HYDRAULIQUE. LA COMPRESSION ET LA DÉTENTE D'AIR EN CONTINU PEUVENT DÉLOGER LES JOINTS DU CIRCUIT HYDRAULIQUE ET PROVOQUER DES DOMMAGES IRRÉVERSIBLES À LA FENDEUSE.

ATTENTION

NE PAS MODIFIER LE RÉGLAGE DE LA VIS DE LIMITE DE PRESSION MAXIMALE. LA VIS DE LIMITE DE PRESSION A ÉTÉ SCELLÉE À L'USINE POUR EMPÊCHER TOUTE MODIFICATION NON AUTORISÉE. SI LE RÉGLAGE DE LA VIS EST MODIFIÉ, LA POMPE PEUT NE PAS PRODUIRE UNE PRESSION DE FENDAGE SUFFISANTE OU ELLE PEUT PRODUIRE UNE PRESSION EXCESSIVE SUSCEPTIBLE DE PROVOQUER DES BLESSURES GRAVES ET D'ENDOMMAGER LA MACHINE.

IMPORTANT

AVANT D'UTILISER LA FENDEUSE DE BÛCHES, DESSERRER LA VIS DE PURGE DE 3 À 4 TOURS POUR QUE L'AIR PUISSE ENTRER ET SORTIR AISÉMENT DU RÉSERVOIR D'HUILE. L'ÉCOULEMENT D'AIR À TRAVERS L'ORIFICE DE LA VIS DE PURGE DOIT ÊTRE DÉTECTABLE DURANT LA MARCHÉ DE LA FENDEUSE DE BÛCHES. AVANT DE DÉPLACER LA FENDEUSE DE BÛCHES, S'ASSURER QUE LA VIS DE PURGE EST SERRÉE POUR ÉVITER TOUTE FUITE DE LIQUIDE À CET ENDROIT. (VOIR FIGURE 2)

ASSEMBLAGE

1. Pour monter les roues, engager les axes dans les pieds.
2. Insérer une goupille en épingle dans chacun des axes. **(VOIR FIGURE 3)**

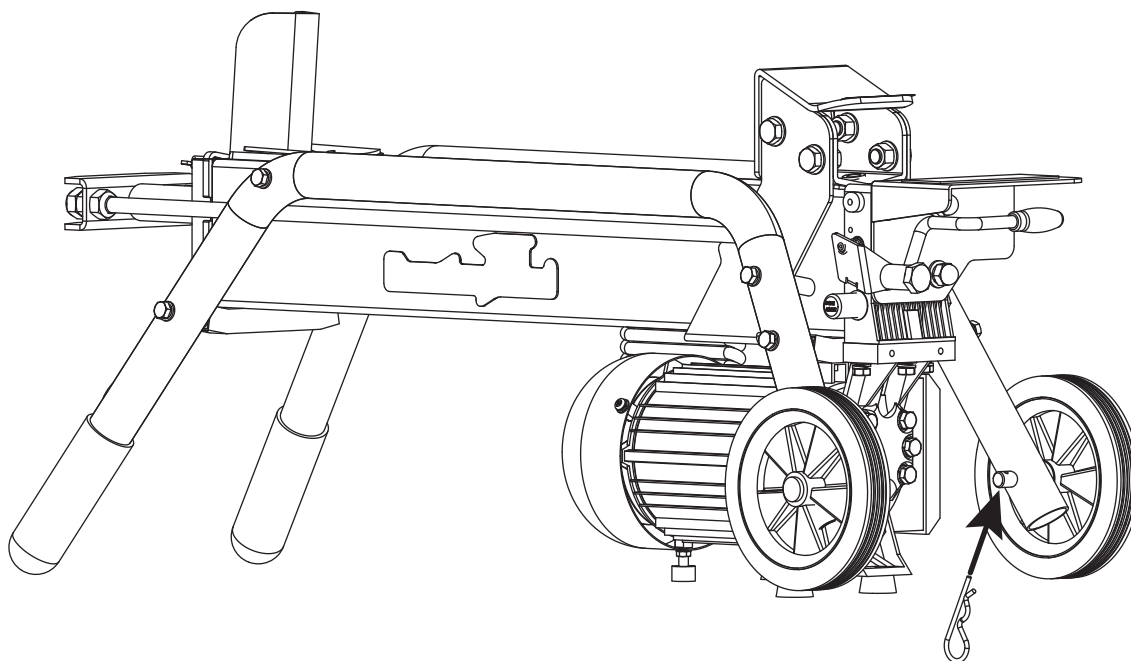


Figure 3

FONCTIONNEMENT DE LA FENDEUSE DE BÛCHES

L'actionnement de la fendeuse de bûches électrique 5 tonnes *Earthquake®* nécessite les deux mains. La main gauche de l'utilisateur actionne le levier de commande hydraulique, pendant que la main droite appuie sur l'interrupteur à bouton-poussoir. La fendeuse de bûches s'immobilise en l'absence de l'une ou l'autre main. Le poussoir de bûche revient en position initiale uniquement après que les deux mains ont relâché les commandes. (VOIR FIGURE 4)

Fendre la bûche dans le sens du fil. Placer les bûches perpendiculairement à la fendeuse est dangereux et peut gravement endommager la machine. Ne pas tenter de fendre deux bûches en même temps.

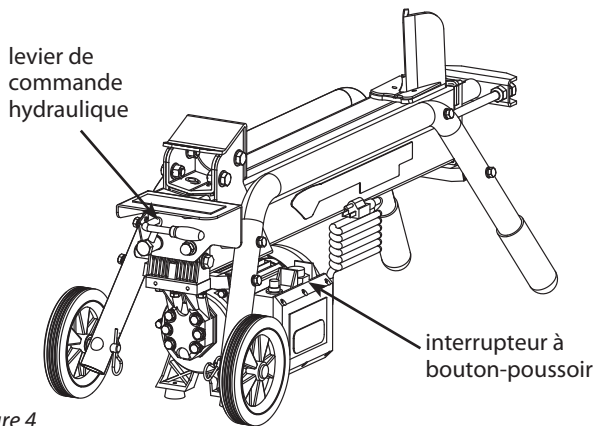


Figure 4

DÉGAGER UNE BÛCHE COINCÉE

1. Relâcher les deux commandes.
2. Une fois le poussoir de bûche est à l'arrêt complet dans sa position initiale, placer un coin en bois sous la bûche coincée. (VOIR FIGURE 5)
3. Démarrer la fendeuse pour pousser le coin en bois sous la bûche coincée.
4. Répéter la procédure ci-dessus avec des coins d'angle plus grand jusqu'à dégager complètement la bûche.

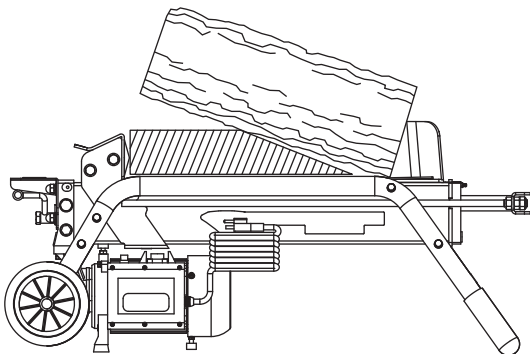


Figure 5

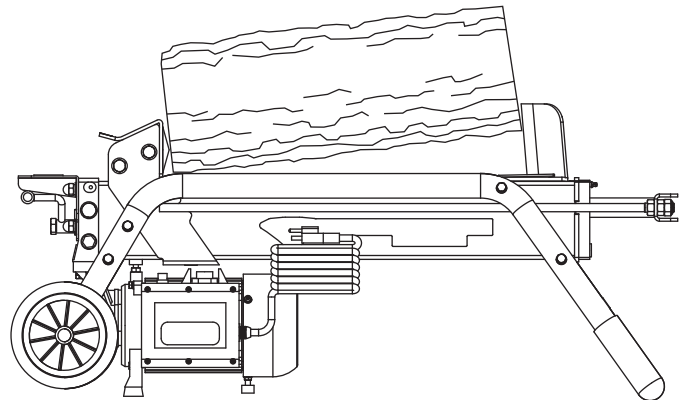


Figure 6

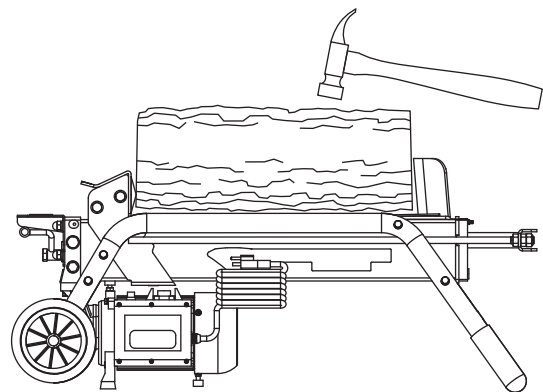


Figure 7

⚠ ATTENTION

NE JAMAIS APPLIQUER LA PRESSION DE LA FENDEUSE DE BÛCHES PENDANT PLUS DE 5 SECONDES POUR FENDRE DU BOIS PARTICULIÈREMENT DUR.

⚠ ATTENTION

TOUJOURS POSER LES BÛCHES FERMEMENT SUR LE REPOSE-BÛCHE ET L'ÉTABLI. VEILLER À EMPÊCHER LES BÛCHES DE TOURNER, BASCULER OU GLISSER DURANT LE FENDAGE. NE PAS FORCER SUR LE COIN EN FENDANT LA PARTIE SUPÉRIEURE DE LA BÛCHE. CELA CASSERAIT LE COIN OU ENDOMMAGERAIT LA MACHINE. (VOIR FIGURE 6)

⚠ ATTENTION

NE PAS TENTER DE DÉCOINCER LA BÛCHE DU COIN À L'AIDE D'UN MARTEAU OU AUTRE MOYEN. (VOIR FIGURE 7)

ENTRETIEN

CHANGER LE LIQUIDE HYDRAULIQUE

Changer le liquide hydraulique de la fendeuse de bûches toutes les 150 heures d'utilisation. Procéder comme suit pour changer le liquide hydraulique.

1. S'assurer que toutes les pièces mobiles sont à l'arrêt et que la fendeuse de bûches est débranchée.
2. Retirer la vis de vidange et la jauge d'huile. S'assurer que la vis de purge est serrée de façon étanche. **(VOIR FIGURE 8)**
3. Basculer la fendeuse vers le côté des pieds d'appui au-dessus d'un récipient d'une capacité de 4 litres (1 gallon) ou plus pour vider le liquide hydraulique. **(VOIR FIGURE 9)**
4. Basculer la fendeuse vers le côté moteur. **(VOIR FIGURE 10)**
5. Remplir de 3,55 litres (3,75 pte) de liquide hydraulique frais.
6. Tout en maintenant la fendeuse de bûches verticale, nettoyer la surface de la jauge d'huile sur la vis de vidange puis la remettre dans le réservoir.
7. Vérifier que le niveau de remplissage est entre les deux rainures de la jauge d'huile.
8. Nettoyer la vis de vidange avant de la revisser en place. S'assurer que la vis est bien serrée pour éviter les fuites avant remettre la fendeuse à l'horizontale.

IMPORTANT : DESSERRER LA VIS DE PURGE DE 3 À 4 TOURS AVANT UTILISATION.

Vérifier régulièrement le niveau de liquide hydraulique pour s'assurer qu'il est entre les deux rainures de la jauge d'huile. Compléter le niveau comme il se doit s'il est en dessous de la limite inférieure.

Les liquides hydrauliques suivants, ou leurs équivalents, sont recommandés pour la pompe hydraulique de la fendeuse de bûches :

SHELL Tellus 22

MOBIL DTE 11

ARA Vitam GF 22

BP Energol HLP-HM 22

AFFÛTER LE COIN

Lorsque le coin de la fendeuse de bûches est émoussé ou usé, l'affûter avec une lime à grain fin et lisser les ébarbures ou déformations le long de l'arête de coupe.

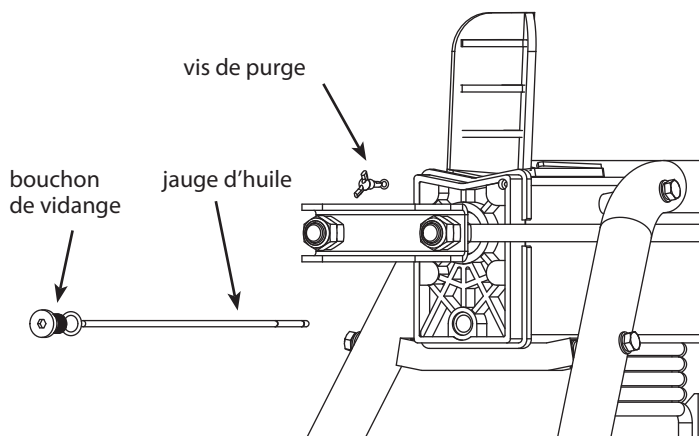


Figure 8

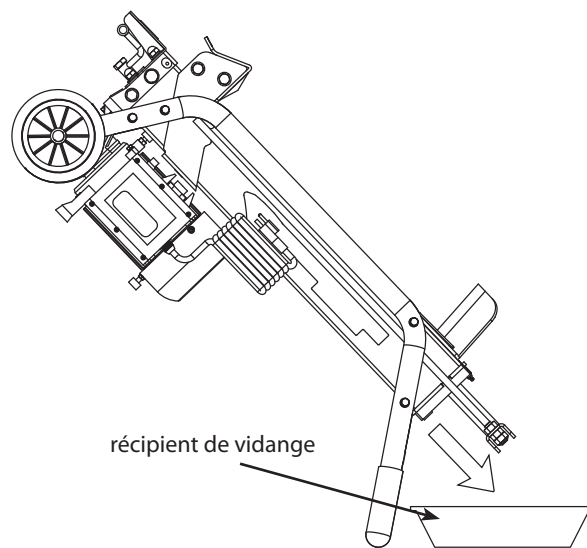


Figure 9

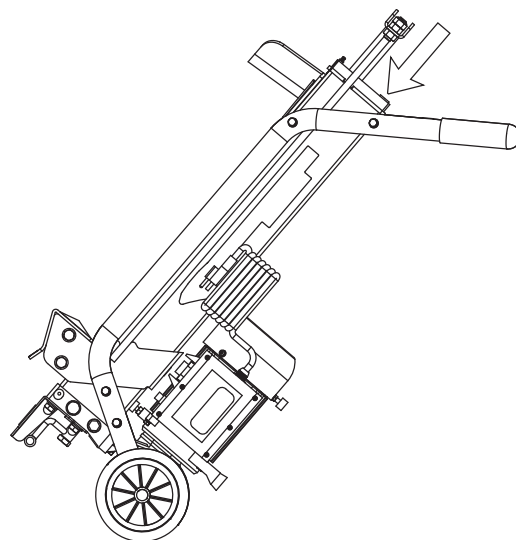


Figure 10

SERVICE APRÈS-VENTE, DÉPANNAGE ET RÉPARATION

INFORMATION CONCERNANT LE DÉPANNAGE

IMPORTANT

POUR RECOURIR AU SERVICE APRÈS-VENTE, NE PAS RENVOYER LA MACHINE AU REVENDEUR. COMMUNIQUER AVEC ARDISAM, INC., AU 1-800-345-6007, DU LUNDI AU VENDREDI DE 8 H À 17 H. NOUS SOMMES HEUREUX D'APPORTER NOTRE ASSISTANCE.

En cas de problèmes de fonctionnement de la fendeuse de bûches, suivre les suggestions figurant dans le guide de dépannage dans cette section.

Ce guide aide à diagnostiquer les causes des problèmes les plus courants et à identifier leurs solutions.

Pour les réparations plus compliquées, il est préférable de s'adresser au revendeur, à un mécanicien autorisé ou à Ardisam, Inc. (obtenir la liste des mécaniciens autorisés dans la région auprès du revendeur). La présente section comporte un catalogue de pièces détachées.

Nous sommes toujours heureux de répondre à toute question ou d'aider à trouver l'assistance nécessaire. Pour commander des pièces ou se renseigner sur la garantie, communiquer avec nous par téléphone ou par courrier à l'adresse indiquée à la colonne ci-contre, sous la section « Commander des pièces de rechange ».

COMMANDER DES PIÈCES DE RECHANGE

Les pièces peuvent s'obtenir dans le magasin où la fendeuse de bûches a été achetée ou directement auprès de l'usine. Pour commander des pièces auprès de l'usine, appeler ou écrire à :

Ardisam, Inc.

1160 Eighth Avenue, Cumberland, WI 54829

Téléphone 800-345-6007 Télécopieur principal (715) 822-2223

Courriel : info@getearthquake.com

Veiller à inclure les informations suivantes avec la commande :

1. Numéro de référence des pièces
2. Description des pièces
3. Quantité
4. Numéro de modèle et numéro de série

Commande minimale 10 \$

DÉPANNAGE

PROBLÈME	CAUSE POSSIBLE	SOLUTION / MESURE CORRECTIVE
Les bûches ne sont pas fendues	1. Bûche mal placée	1. Voir le chargement des bûches sous Fonctionnement de la fendeuse de bûches
	2. La taille ou la dureté de la bûche dépasse la capacité de la machine	2. Réduire la taille de la bûche avant de la fendre sur la fendeuse
	3. L'arête de coupe du coin est émoussée	3. Voir comment affûter l'arête de coupe sous Affûter le coin
	4. Fuite de liquide hydraulique	4. Identifier la ou les fuites et communiquer avec le service après-vente
	5. Modification non autorisée du réglage de la vis de limite de pression maximale	5. Communiquer avec le service après-vente
Le poussoir de bûche a un mouvement saccadé, émet un bruit inhabituel ou vibre de façon excessive	1. Pas assez de liquide hydraulique ou trop d'air dans le circuit hydraulique	1. Vérifier le niveau de liquide et le compléter s'il y a lieu. Communiquer avec le service après-vente.
Fuite de liquide autour du poussoir de vérin ou en d'autres points	1. Air piégé dans le circuit hydraulique durant la marche	1. Desserrer la vis de purge de 3 à 4 tours avant de faire fonctionner la fendeuse
	2. Vis de purge pas serrée avant de déplacer la fendeuse de bûches	2. Serrer la vis de purge avant de déplacer la fendeuse
	3. Vis de vidange à jauge d'huile pas étanche	3. Serrer la vis de vidange à jauge
	4. Vanne de commande hydraulique ou joint(s) usés	4. Communiquer avec le service après-vente

Appeler le service après-vente au 800-435-6007 L-V 8-17.



¡ALTO! ACTIVE SU GARANTÍA ANTES DE USAR

Todos los productos se deben registrar *dentro de los 30 días* posteriores a la fecha de compra para tener la cobertura de la garantía. Para obtener más información sobre garantía e inscripción, revise los términos y las condiciones de la garantía y la inscripción señalados en el encarte de la garantía.

INTRODUCCIÓN

Gracias por comprar un producto Earthquake®. Hemos trabajado para garantizar que este producto cumpla con las normas más exigentes de uso y durabilidad. Con el cuidado adecuado, su compra le proporcionará muchos años de servicio.

Lea el manual completo antes de la instalación y uso. Earthquake® se reserva el derecho de cambiar, alterar o mejorar el producto y este documento en cualquier momento y sin previo aviso. Debido a las constantes mejoras en los productos, las imágenes de estos podrían no ser exactas. Es posible que se requiera montar algunas piezas.

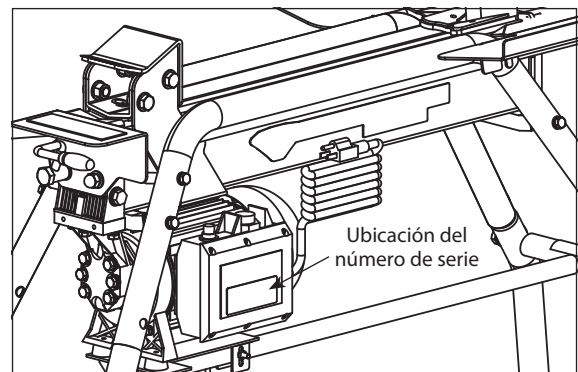
Lea y conserve este manual para futuras consultas. Este manual contiene información importante sobre seguridad, montaje, operación y mantenimiento. El propietario debe asegurarse de que toda la información del producto venga incluida con la unidad. Esta información incluye el manual, las piezas de repuesto y las garantías. Esta información debe estar incluida para asegurarse de que se cumplan las leyes estatales y otras leyes. Todas las personas que arrienden o pidan la unidad en préstamo deben tener acceso a esta información y comprenderla. Este manual debe permanecer con el producto, incluso si se revende.

CONTENIDO

Introducción y contenido.....	22
Advertencias y precauciones de seguridad.....	23-24
Características.....	25-26
Montaje.....	27
Operación.....	28
Mantenimiento y almacenamiento.....	29
Solución de problemas y reparación.....	30

INSCRIPCIÓN Y SERVICIO

Registre el número de modelo y número de serie del producto en el espacio que se proporciona para facilitar su consulta cuando solicite piezas o asistencia técnica. Con excepción de los elementos de la garantía relacionados con las emisiones, la garantía es válida solo si Ardisam recibe la inscripción llena dentro de 30 días a partir de la compra. Puede inscribir su garantía en línea en www.GetEarthquake.com o puede enviarla por correo a: Ardisam, 1160 8th Avenue, Cumberland, WI 54829. También puede comunicarse con el Departamento de Servicio al Cliente al (800) 345-6007 de lunes a viernes, desde las 8:00 a. m. hasta las 5:00 p. m. CST.



SEGURIDAD Y REGLAS DE SEGURIDAD

RESPONSABILIDAD DEL PROPIETARIO

El propietario es responsable del uso seguro y eficaz del partidor de leña eléctrico de 5 toneladas.

- Lea y siga todas las instrucciones de seguridad.
- Realice mantenimiento al partidor de leña de acuerdo con las indicaciones y el programa que se incluyen en *este manual del operador de Earthquake®*.
- Revise el partidor de leña antes de encenderlo. Mantenga las protecciones instaladas y en buenas condiciones de funcionamiento. Reemplace las piezas dañadas, faltantes o defectuosas antes de usarlo.
- Asegúrese de que las personas que usen el partidor de leña conozcan todos los controles y las precauciones de seguridad.

MENSAJES ESPECIALES

Su manual contiene mensajes especiales para llamar la atención respecto de posibles problemas de seguridad o daños a la máquina, al igual que información útil de operación y mantenimiento. Lea cuidadosamente toda la información para evitar lesiones y daños a la máquina.

NOTA: En el manual se entrega información general que puede ayudar al operador en la operación o el mantenimiento de la máquina.

PRECAUCIONES IMPORTANTES DE SEGURIDAD

Lea cuidadosamente esta sección. Opere el partidor de leña eléctrico de acuerdo con las instrucciones y recomendaciones de seguridad que se describen aquí y que se encuentran en el texto. Toda persona que use este partidor de leña debe leer atentamente las instrucciones y debe estar familiarizada con los controles.



Este símbolo indica instrucciones importantes de seguridad que, si no se siguen, podrían poner en peligro su seguridad personal. Lea y siga las instrucciones de este manual antes de intentar usar este equipo.

- No transporte el partidor de leña con el motor en funcionamiento.
- Vístase adecuadamente cuando opere el partidor de leña. Siempre use calzado resistente. No use sandalias, zapatillas ni zapatos abiertos y nunca opere el partidor de leña con los pies descalzos. No use ropa suelta ni joyas que puedan quedar atrapadas en las piezas móviles. Siempre use gafas de seguridad para protegerse los ojos. Las gafas cotidianas solo tienen lentes resistentes al impacto y no son gafas de seguridad efectivas.



ADVERTENCIA

ADVERTENCIA INDICA UN PELIGRO QUE, SI NO SE EVITA, PUEDE PROVOCAR LA MUERTE, LESIONES GRAVES O DAÑOS A LA PROPIEDAD.



PRECAUCIÓN

PRECAUCIÓN INDICA QUE SE PUEDE LESIONAR O SU EQUIPO PUEDE RESULTAR DAÑADO SI NO SE SIGUEN LAS INSTRUCCIONES DE SEGURIDAD A CONTINUACIÓN DE ESTA PALABRA DE SEÑALIZACIÓN.

IMPORTANTE

INDICA INFORMACIÓN ÚTIL PARA UN ADECUADO MONTAJE, OPERACIÓN O MANTENIMIENTO DE SU EQUIPO.

- Siempre preste total atención al movimiento del impulsor de leños. No intente cargar un leño en el partidor de leña a menos que el impulsor de leños se haya detenido por completo. Siempre mantenga las manos, los pies, el cabello y la ropa suelta lejos de las piezas móviles del partidor de leña.
- No permita que los niños operen este partidor de leña. Los adultos no deben operar este partidor de leña sin instrucciones adecuadas.
- No opere ningún equipo eléctrico bajo la influencia de las drogas, el alcohol ni ningún medicamento que pueda afectar su capacidad para usar el equipo adecuadamente.
- Siempre mantenga limpia y bien iluminada el área de trabajo.
- Mantenga apretados todos los tornillos, tuercas y pernos.
- Siempre inspeccione los leños que partirá en busca de clavos u otros objetos. Los extremos de los leños deben tener cortes rectos. Las ramas se deben cortar a ras del tronco.
- No se estire para usar la máquina. Mantenga los pies bien apoyados y un buen equilibrio en todo momento. Nunca se pare en el partidor de leña. No use el partidor de leña como un peldaño.
- No opere el partidor de leña desde el nivel del suelo. Coloque el partidor de leña a una altura cómoda (24 a 32" [610 a 813 mm]) en una superficie de trabajo estable, plana y nivelada donde haya un gran espacio para manipular material. Fije el partidor de leña a la superficie de trabajo si tiende a resbalarse, moverse o deslizarse.
- No use el partidor de leña en áreas húmedas o mojadas ni lo exponga a la lluvia.

- Nunca intente partir leños más grandes que los señalados en la tabla de especificaciones. Si no sigue esta indicación, puede dañar la máquina. No use el partidor de leña para nada más que para partir leños. No fuerce el avance de un leño por el partidor.
- Nunca use un alargador que no esté clasificado para uso en exteriores. El cable no debe medir más de 30 pies (9 metros). El cable debe estar fabricado para servicio pesado (12 a 10 AWG).
- Revise que el circuito eléctrico esté correctamente protegido y que corresponda a la potencia, el voltaje y la frecuencia del motor. Revise si hay conexión a tierra y un interruptor diferencial de regulación corriente arriba. Conecte el partidor de leña a tierra. Evite el contacto físico con superficies conectadas a tierra: tuberías, radiadores, estufas, gabinetes de refrigeradores, etc. Nunca abra la caja del botón pulsador en el motor. Asegúrese de no tocar con los dedos las puntas metálicas del enchufe cuando conecte o desconecte el partidor de leña.
- No quite los leños atascados con las manos. Si un objeto se atasca en el pistón, desconecte el motor eléctrico antes de tratar de sacar el objeto extraño.
- No use el partidor de leña en áreas donde los vapores de pinturas, solventes o líquidos inflamables supongan el peligro potencial de incendio o explosiones.
- Use solo piezas de equipos originales de Ardisam, Inc., lo que incluye todos los pernos y las tuercas.
- Para desconectar la corriente, desenchufe el cable de alimentación cuando no esté en uso, antes de hacer ajustes, cambiar piezas, limpiar o trabajar en el partidor de leña.
- Realice el mantenimiento y mantenga limpio el partidor de leña para tener un rendimiento mejor y más seguro.

PASOS PARA TRABAJAR EN EL PARTIDOR DE LEÑA ELÉCTRICO

1. Apague el interruptor del motor. Desconecte el motor.
2. Reemplace o repare la pieza del partidor de leña.
3. Revise que todas las piezas que se repararon o retiraron durante la reparación estén firmes e instaladas correctamente.

NOTA: Todas las piezas de repuesto deben provenir de la fábrica. Nunca reemplace piezas que no estén específicamente diseñadas para este partidor de leña.

CALCOMANÍA DE SEGURIDAD

Este partidor de leña eléctrico *Earthquake*® está diseñado y fabricado para proporcionarle la seguridad y confiabilidad que esperaría de una empresa líder en la industria de la fabricación de equipos de potencia para exteriores.

Leer este manual y las instrucciones de seguridad que contiene le entregará el conocimiento necesario para operar este equipo de manera segura y eficaz. Colocamos una calcomanía de seguridad en el partidor de leña para recordarle parte de esta información importante mientras opera la unidad.

Esta calcomanía importante de seguridad aparece a continuación y se muestra para ayudarlo a familiarizarse con la ubicación y el contenido de los mensajes de seguridad que verá mientras realiza operaciones normales para partir leños. Revise esta calcomanía ahora y, si tiene alguna pregunta respecto a su significado o al cumplimiento de estas instrucciones, vuelva a leer el texto de instrucciones de seguridad completo en este manual o comuníquese con su distribuidor local.

Los símbolos de advertencia a continuación se encuentran en la etiqueta adherida a la protección de la palanca de control. Siga las instrucciones de seguridad necesarias para la operación segura y eficaz del partidor de leña.

ESPECIFICACIONES Y REQUISITOS ELÉCTRICOS

CONDICIONES DE LA APLICACIÓN

El partidor de leña eléctrico de 5 toneladas *Earthquake*® está diseñado como un modelo solo de uso doméstico. Está diseñado para funcionar a temperaturas ambiente entre 40 °F (4 °C) y 105 °F (41 °C). El partidor de leña se puede almacenar o transportar a temperaturas ambiente entre -10 °F (-23 °C) y 130 °F (54 °C).

ESPECIFICACIONES

Número de modelo		32228	32229
Motor		120 V~60 Hz 1500 W IP54	
Requisitos de protección del circuito		20 A (amperios)	
Capacidad de leños	Diámetro *	2 a 10" (51 a 254 mm)	
	Longitud	20" (508 mm)	
Fuerza de corte		5 toneladas	
Presión hidráulica		2,300 psi (159 bar)	
Capacidad de aceite hidráulico		3.75 qt (3.5 L)	
Tamaño total	Longitud	40.5" (1029 mm)	49.0" (1245 mm)
	Ancho	13.9" (353 mm)	37.0" (940 mm)
	Alto	18.1" (460 mm)	39.0" (991 mm)
Peso		105 lb (47,6 kg)	135 lb (61,2 kg)

*Diámetro recomendado del leño; un leño pequeño puede ser difícil de partir cuando contiene nudos o una fibra particularmente dura. Por otro lado, es posible que no sea difícil partir leños con fibras regulares, incluso si su diámetro excede el diámetro máximo descrito en la tabla de especificaciones.

REQUISITOS ELÉCTRICOS

Conecte los conductores principales a un suministro eléctrico estándar de 110 V ±10 % que tenga dispositivos de protección de subvoltaje, sobrevoltaje y sobrecorriente, además de un interruptor de circuito por falla a tierra (GFCI) o un interruptor de falla a tierra (GFI) con una corriente máxima residual de 0.03 A.

INSTALACIÓN Y PREVIA A LA OPERACIÓN

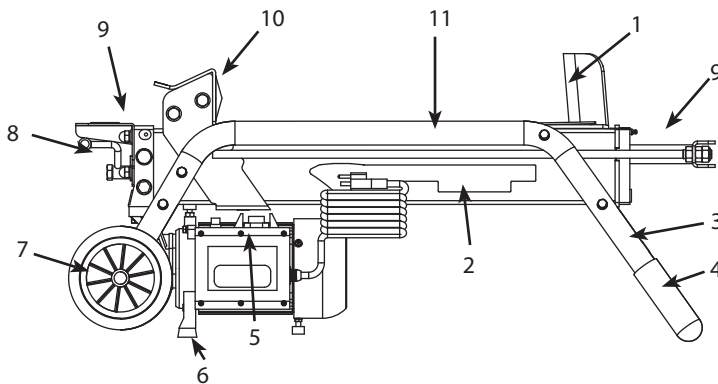


Figura 1

Antes de intentar usarlo, familiarícese con todas las características de funcionamiento y los requisitos de seguridad del partidor de leña. **(CONSULTE LA FIGURA 1)**

- | | |
|---|--|
| 1. Cuña | 8. Palanca de control hidráulico de accionamiento con 2 manos |
| 2. Tanque de aceite | 9. Dispositivo de seguridad para la palanca de control hidráulico de accionamiento con 2 manos |
| 3. Manillar de transporte | 10. Impulsor de leños |
| 4. Pata de apoyo | 11. Bastidor de leños |
| 5. Motor con interruptor pulsador y disyuntor | |
| 6. Patas de goma | |
| 7. Rueda giratoria | |

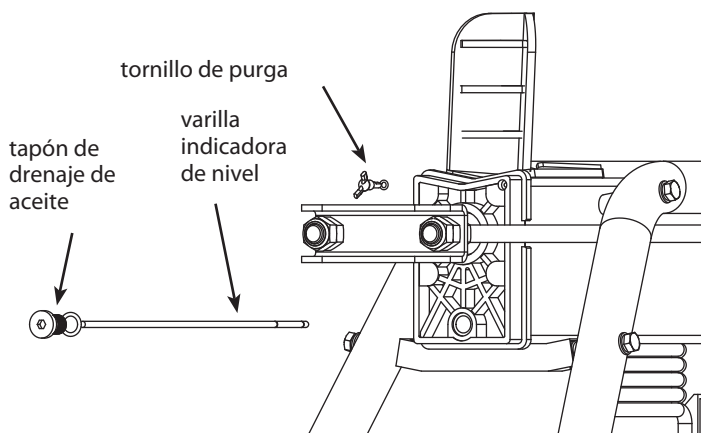


Figura 2

⚠ ADVERTENCIA

POR SU PROPIA SEGURIDAD, NO CONECTE EL PARTIDOR DE LEÑA A LA FUENTE DE ALIMENTACIÓN HASTA QUE LA MÁQUINA ESTÉ COMPLETAMENTE ARMADA Y HAYA LEÍDO Y COMPRENDIDO TODO EL MANUAL DE INSTRUCCIONES.

POR SU PROPIA SEGURIDAD, NUNCA OLVIDE EMPERNAR EL SOPORTE DE LA RUEDA AL PARTIDOR DE LEÑA, LEVANTE EL PARTIDOR DE LEÑA POR LOS MANILLARES EN AMBOS EXTREMOS Y COLÓQUELO EN UNA SUPERFICIE DE TRABAJO ALTA, ESTABLE, PLANA Y NIVELADA DE 24" A 32" (610 A 813 MM).

NUNCA USE EL PARTIDOR DE LEÑA SI NO ESTÁ EN CONDICIONES PERFECTAS O SI SE LE DEBE REALIZAR MANTENIMIENTO. ANTES DE COMENZAR A TRABAJAR, REVISE EL FUNCIONAMIENTO CORRECTO DE TODOS LOS CONTROLES (PALANCA HIDRÁULICA, BOTÓN PULSADOR).

⚠ PRECAUCIÓN

NO SOLTAR EL TORNILLO DE PURGA PROVOCARÁ QUE EL AIRE SE COMPRIMA Y DESCOMPRIMA EN EL SISTEMA HIDRÁULICO. LA COMPRESIÓN Y DESCOMPRESIÓN CONTINUA DEL AIRE ROMPERÁ LOS SELLOS DEL SISTEMA HIDRÁULICO Y CAUSARÁ DAÑOS PERMANENTES EN EL PARTIDOR DE LEÑA.

⚠ PRECAUCIÓN

NO AJUSTE EL TORNILLO LIMITADOR DE PRESIÓN MÁXIMA. EL TORNILLO LIMITADOR DE PRESIÓN ESTÁ SELLADO DE FÁBRICA PARA EVITAR LOS AJUSTES NO AUTORIZADOS. CAMBIAR EL AJUSTE DEL TORNILLO CAUSARÁ QUE LA BOMBA HIDRÁULICA NO GENERE SUFICIENTE PRESIÓN DE CORTE O GENERE DEMASIADA PRESIÓN, LO QUE PUEDE PROVOCAR LESIONES GRAVES, ADEMÁS DE DAÑOS A LA MÁQUINA.

IMPORTANTE

ANTES DE OPERAR EL PARTIDOR DE LEÑA, SE DEBE SOLTAR EL TORNILLO DE PURGA 3 A 4 VUELTAS, DE MODO QUE EL AIRE PUEDA ENTRAR Y SALIR DEL TANQUE DE ACEITE SIN PROBLEMAS. EL FLUJO DE AIRE A TRAVÉS DEL ORIFICIO DEL TORNILLO DE PURGA DEBE SER DETECTABLE DURANTE LA OPERACIÓN DEL PARTIDOR DE LEÑA. ANTES DE MOVER EL PARTIDOR DE LEÑA, ASEGÚRESE DE APRETAR EL TORNILLO DE PURGA PARA EVITAR LAS FUGAS DE ACEITE DESDE ESTE PUNTO. (CONSULTE LA FIGURA 2)

MONTAJE

1. Para instalar las ruedas, inserte los ejes en cada pata.
2. Inserte el pasador de horquilla en cada uno de los ejes. **(CONSULTE LA FIGURA 3)**

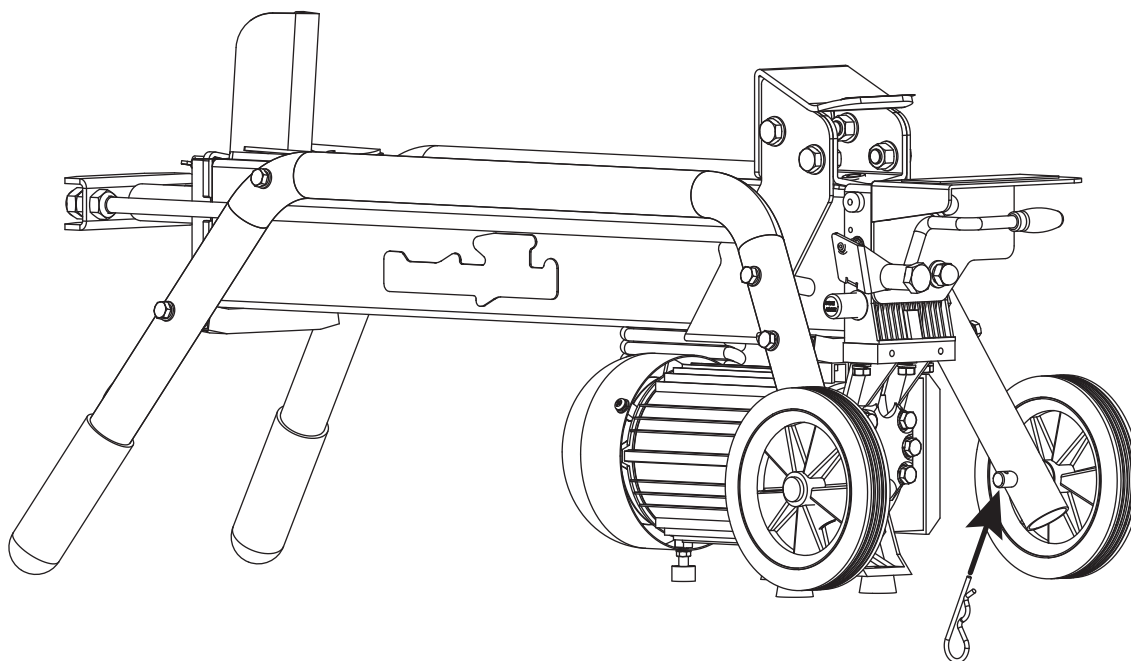


Figura 3

OPERACIÓN DEL PARTIDOR DE LEÑA

La operación del partidor de leña eléctrico de 5 toneladas *Earthquake®* requiere el uso de ambas manos. La mano izquierda del usuario controla la palanca de control hidráulico, mientras que la mano derecha controla el interruptor de botón pulsador. El partidor de leña dejará de funcionar cuando falte cualquiera de las manos. El impulsor de leños volverá a la posición inicial solo después de que ambas manos suelten los controles. **(CONSULTE LA FIGURA 4)**

Parta el leño en la dirección del grano. Colocar los leños a través del partidor de leña para cortarlos es peligroso y puede causar daños graves a la máquina. No intente partir dos leños al mismo tiempo.

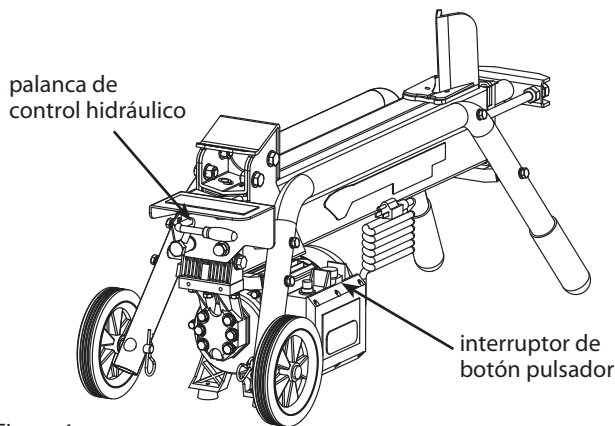


Figura 4

LIBERACIÓN DE UN LEÑO ATASCADO

1. Suelte ambos controles.
2. Una vez que el impulsor de leños se detenga completamente en su posición inicial, inserte una cuña de madera bajo el leño atascado. **(CONSULTE LA FIGURA 5)**
3. Arranque el partidor de leña para empujar la cuña de madera bajo el leño atascado.
4. Repita el procedimiento anterior con cuñas de madera con mayor inclinación hasta que se libere completamente el leño.

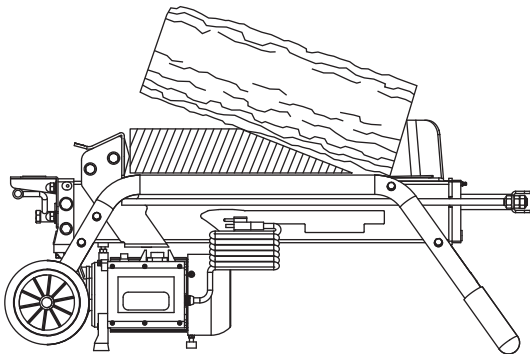


Figura 5

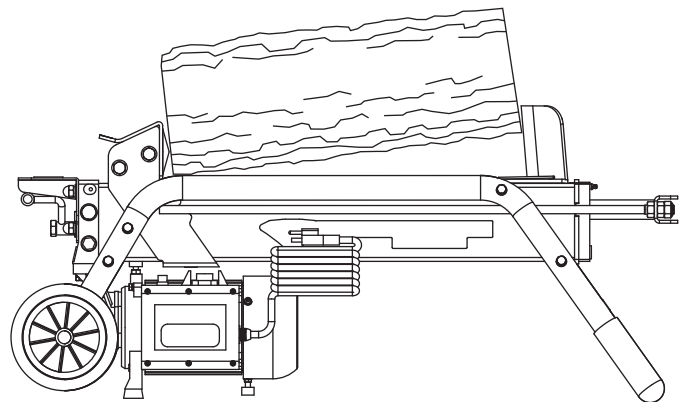


Figura 6

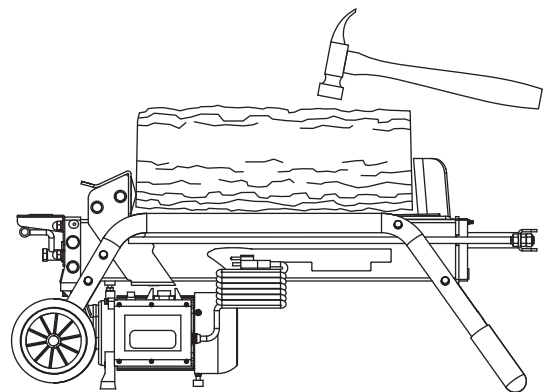


Figura 7

⚠ PRECAUCIÓN

NUNCA FUERCE PRESIÓN EN EL PARTIDOR DE LEÑA DURANTE MÁS DE 5 SEGUNDOS PARA PARTIR MADERA EXCESIVAMENTE DURA.

⚠ PRECAUCIÓN

SIEMPRE COLOQUE LOS LEÑOS FIRMEMENTE EN EL BASTIDOR DE LEÑOS Y LA MESA DE TRABAJO. ASEGÚRESE DE QUE LOS LEÑOS NO SE GIREN, BALANCEEN O DESLICEN MIENTRAS LOS ESTÁ PARTIENDO. NO PARTA LA PARTE SUPERIOR DEL LEÑO PARA FORZAR LA CUÑA. ESTO ROMPERÁ LA CUÑA O DAÑARÁ LA MÁQUINA. (CONSULTE LA FIGURA 6)

⚠ PRECAUCIÓN

NO INTENTE GOLPEAR EL LEÑO ATASCADO PARA SACARLO DE LA CUÑA CON UN MARTILLO U OTRO DISPOSITIVO. (CONSULTE LA FIGURA 7)

MANTENIMIENTO

REEMPLAZO DEL ACEITE HIDRÁULICO

Reemplace el aceite hidráulico en el partidor de leña después de 150 horas de uso. Realice los siguientes pasos para reemplazar el aceite.

1. Asegúrese de que todas las piezas móviles estén detenidas y el partidor de leña esté desenchufado.
2. Retire el perno de drenaje de aceite y la varilla indicadora de nivel. Asegúrese de que el tornillo de purga esté cerrado firmemente. **(CONSULTE LA FIGURA 8)**
3. Voltee el partidor de leña sobre el lado de la pata de apoyo y use un recipiente con capacidad de un galón (4 litros) para drenar el aceite hidráulico. **(CONSULTE LA FIGURA 9)**
4. Voltee el partidor de leña sobre el lado del motor. **(CONSULTE LA FIGURA 10)**
5. Rellene con 3.75 qt (3.5 L) de aceite hidráulico fresco.
6. Mientras mantiene el partidor de leña en posición vertical, limpie la superficie de la varilla indicadora de nivel en el perno de drenaje de aceite y vuelva a colocarla en el tanque de aceite.
7. Asegúrese de que el nivel del aceite rellenado esté entre las dos ranuras de la varilla indicadora de nivel.
8. Limpie el perno de drenaje de aceite antes de volver a enroscarlo. Asegúrese de que el perno esté apretado para evitar las fugas antes de poner el partidor de leña en posición horizontal.

IMPORTANTE: SUELTE EL TORNILLO DE PURGA 3 A 4 VUELTAS ANTES DEL FUNCIONAMIENTO.

Revise periódicamente el nivel de aceite para asegurarse de que esté entre las dos ranuras de la varilla indicadora de nivel. Si el nivel está bajo el límite inferior, llene hasta que el nivel sea correcto.

Se recomienda el uso de los siguientes aceites hidráulicos, u otros equivalentes, para la bomba hidráulica del partidor de leña:

SHELL Tellus 22

MOBIL DTE 11

ARA Vitam GF 22

BP Energol HLP-HM 22

AFILADO DE LA CUÑA

Cuando la cuña del partidor de leña se desafilé o se desgaste, afilé la cuña con una lima de dientes finos y pula las rebabas o las áreas trituradas a lo largo del borde de corte.

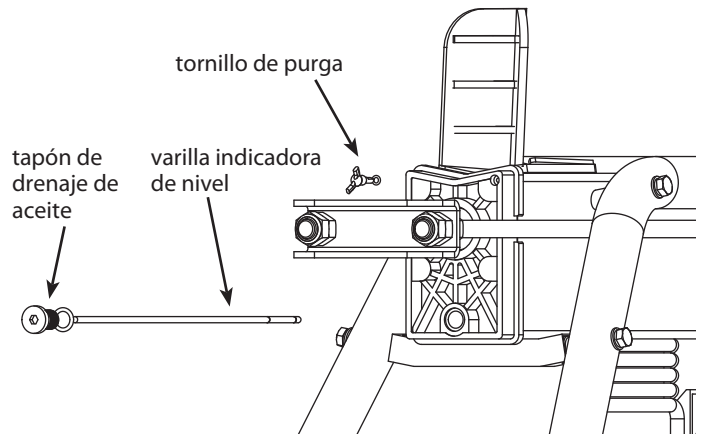


Figura 8

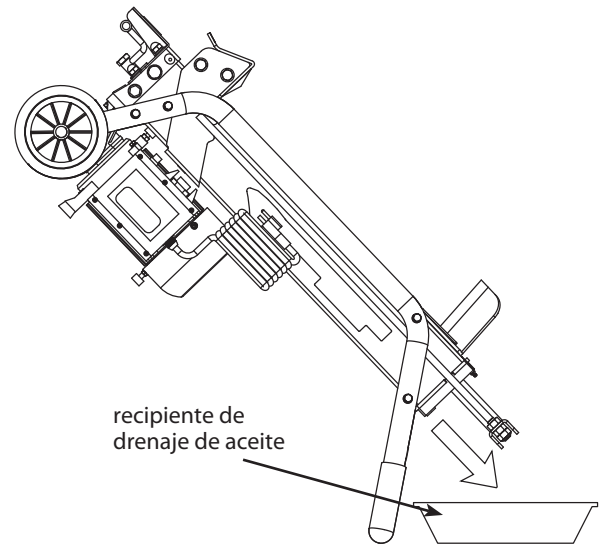


Figura 9

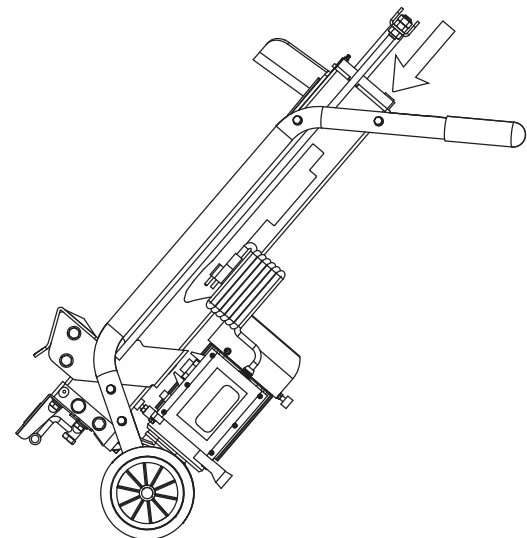


Figura 10

MANTENIMIENTO, SOLUCIÓN DE PROBLEMAS Y REPARACIÓN

INFORMACIÓN DE SERVICIO

IMPORTANTE

EN CASO DE UN PROBLEMA DE MANTENIMIENTO, NO ENVÍE EL PRODUCTO DE VUELTA AL DISTRIBUIDOR. COMUNÍQUESE CON ARDISAM, INC., AL 1-800-345-6007, EN CUALQUIER MOMENTO DE LUNES A VIERNES, DE 8 A. M. A 5 P. M. CON GUSTO ATENDEREMOS SU LLAMADA.

En caso de que surjan problemas con la operación del partidor de leña, siga las sugerencias de la guía de solución de problemas de esta sección.

Esta guía le ayudará a localizar las causas de problemas comunes y a identificar soluciones.

En caso de tener que realizar reparaciones más complicadas, es posible que deba recurrir al distribuidor, un mecánico autorizado o a Ardisam, Inc. (Comuníquese con su distribuidor para obtener una lista de mecánicos autorizados en su área). Se incluye una lista de piezas en esta sección.

Siempre estaremos encantados de responder cualquier pregunta que tenga o de ayudarlo a encontrar la ayuda apropiada. Para pedir piezas o realizar consultas sobre la garantía, llámenos o escribanos a la dirección que se encuentra en la siguiente columna, en la sección de pedido de piezas de reparación.

SOLICITUD DE PIEZAS DE REPARACIÓN

Las piezas se pueden obtener de la tienda donde adquirió el partidor de leña o directamente de la fábrica. Para solicitar desde la fábrica, llame o escriba a:

Ardisam, Inc.

1160 Eighth Avenue, Cumberland, WI 54829

Teléfono 800-345-6007 Fax principal (715) 822-2223

Correo electrónico: info@getearthquake.com

Incluya la siguiente información con la solicitud:


1. Números de las piezas
2. Descripción de las piezas
3. Cantidad
4. Número de modelo y de serie

Pedido mínimo.....USD 10

SOLUCIÓN DE PROBLEMAS

PROBLEMA	CAUSA POSIBLE	SOLUCIÓN O ACCIÓN
No parte leños	1. El leño está colocado de manera incorrecta	1. Consulte la sección de Operación del partidor de leña para ver la carga de leños
	2. El tamaño o la dureza del leño exceden la capacidad de la máquina	2. Reduzca el tamaño del leño antes de partirlo en el partidor de leña
	3. El borde de corte de la cuña está desafilado	3. Consulte la sección Afilado de la cuña para afilar el borde de corte
	4. Fugas de aceite	4. Ubique las fugas y comuníquese con Servicio al Cliente
	5. Se realizó un ajuste no autorizado al tornillo limitador de presión máxima	5. Comuníquese con Servicio al Cliente
El impulsor de leños se mueve con un movimiento brusco, hace un ruido no familiar o vibra excesivamente	1. Falta aceite hidráulico o hay demasiado aire en el sistema hidráulico	1. Revise el nivel de aceite para ver si hay que rellenar. Comuníquese con Servicio al Cliente.
Ocurren fugas de aceite alrededor del pistón del cilindro o desde otros puntos	1. Hay aire sellado en el sistema hidráulico mientras funciona	1. Suelte el tornillo de purga 3 a 4 vueltas antes de operar el partidor de leña
	2. No se apretó el tornillo de purga antes de mover el partidor de leña	2. Apriete el tornillo de purga antes de mover el partidor de leña
	3. El perno de drenaje de aceite con varilla indicadora de nivel no está apretado	3. Apriete el perno de drenaje de aceite con varilla indicadora de nivel
	4. El conjunto o los sellos de la válvula de control hidráulico están desgastados	4. Comuníquese con Servicio al Cliente

Comuníquese con Servicio al Cliente al 1-800-435-6007, de lunes a viernes de 8:00 a. m. a 5:00 p. m.



Earthquake®

ARDISAM, INC.
1160 Eighth Avenue
PO Box 755
Cumberland, WI 54829

Phone, Téléphone, Teléfono:
(800) 345-6007

Fax, Télécopieur:
(715) 822-2124

www.getearthquake.com