

# Earthquake<sup>®</sup>

Groundbreaking Power Equipment

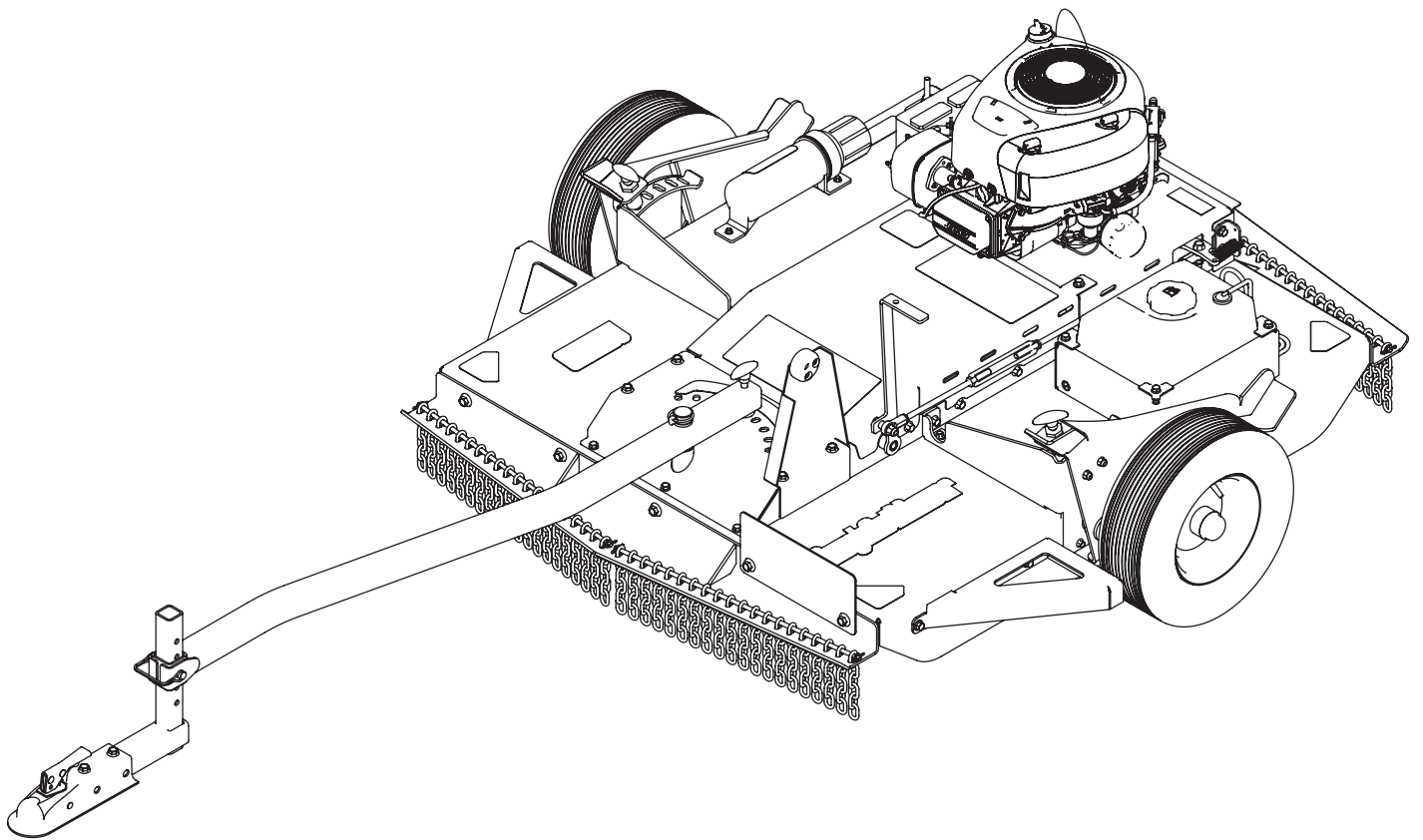
Operator Manual  
Manuel de l'utilisateur

**Acreage<sup>™</sup>**  
Rough Cut Mower

**Model Number, Numéros de modèle :  
42795**

ENGLISH

FRANÇAIS



Get parts or technical assistance online at  
**[www.getearthquake.com](http://www.getearthquake.com) or call (800) 345-6007**  
Pièces détachées et assistance technique en ligne à  
**[www.getearthquake.com](http://www.getearthquake.com) ou composer le (800) 345-6007**

© 2023 Ardisam  
All Rights Reserved  
Tous droits réservés  
P/N: 42912  
ECN: 14074  
REV 1: 11/03/2022



THIS INSTRUCTION BOOKLET CONTAINS IMPORTANT SAFETY INFORMATION. PLEASE READ AND KEEP FOR FUTURE REFERENCE.  
CE LIVRET D'INSTRUCTIONS CONTIENT DES INFORMATIONS IMPORTANTES SUR LA SÉCURITÉ. VEUILLEZ LE LIRE ET LE CONSERVER POUR TOUTE CONSULTATION EXTÉRIEURE.



## ACTIVATE YOUR WARRANTY BEFORE USE

All products must be registered within 30 days from the date of purchase in order to be covered under warranty. For more information regarding Warranty and Registration please review the Warranty and Registration terms and conditions expressed in the warranty insert.

## TABLE OF CONTENTS

Introduction/Contents . . . . .	2
Warnings and Safety Precautions. . . . .	3
Features . . . . .	10
Assembly. . . . .	11
Operation . . . . .	13
Maintenance, Service, and Storage . . . . .	18
Troubleshooting and Repair . . . . .	19

## INTRODUCTION

Thank you for purchasing your product from Earthquake®. We have worked to ensure that this product meets the highest standards for usability and durability. With proper care, your purchase will provide many years of service.

Please read this entire manual before installation and use. Earthquake® reserves the right to change, alter or improve the product and this document at any time without prior notice. Due to continuous product improvements, product images may not be exact. Some assembly may be required.

Read and keep this manual for future reference. This manual contains important information regarding safety, assembly, operation and maintenance. The owner must be certain that all the product information is included with the unit. This information includes the manual, the replacement parts and the

warranties. This information must be included to make sure state laws and other laws are followed. All persons to whom rent/loan this unit must have access to and understand this information. This manual should remain with the product even if it is resold. This manual can be stored on the machine in the included storage container located on the deck.

## REGISTRATION & SERVICE

Record the product model number and serial number in the space provided for easy reference when ordering parts or requesting technical support. Excluding emissions-related warranty items, the warranty is valid only if the completed registration is received by Ardisam within 30 days of purchase. You can register your warranty online by visiting [www. GetEarthquake.com](http://www.GetEarthquake.com), or by mailing it to: Ardisam, 1730 Industrial Avenue, Cumberland, WI 54829. You may also call our Customer Service department at (800) 345-6007 Mondays through Fridays from 8 a.m. to 4:30 p.m. CST.

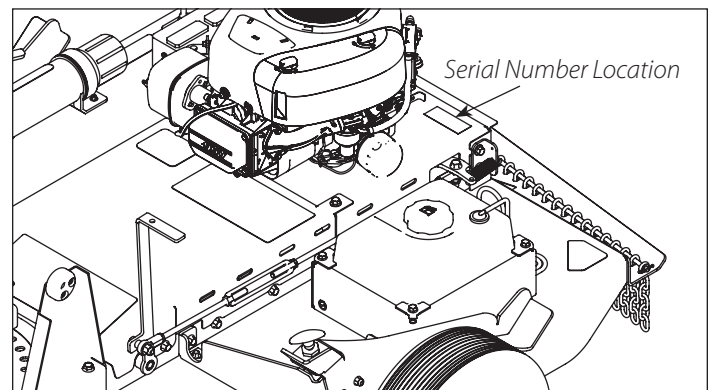


Figure 1

Serial Number

---

Date of Purchase

---

### **! DANGER**

**▲ CALIFORNIA PROPOSTION 65 WARNING - ENGINE EXHAUST FROM THIS PRODUCT CONTAINS CHEMICALS KNOWN TO THE STATE OF CALIFORNIA TO CAUSE CANCER, BIRTH DEFECTS, OR OTHER REPRODUCTIVE HARM.**

## WARNINGS & SAFETY PRECAUTIONS

### OWNER'S RESPONSIBILITY

Accurate assembly and safe and effective use of the machine is the owner's responsibility.

- Read and follow all safety instructions.
- Carefully follow all assembly instructions.
- Maintain the machine according to directions and schedule included in this Earthquake® operator's manual.
- Ensure that anyone who uses the machine is familiar with all controls and safety precautions.

### SPECIAL MESSAGES

Your manual contains special messages to bring attention to potential safety concerns, machine damage as well as helpful operating and servicing information. Please read all the information carefully to avoid injury and machine damage.

**NOTE:** General information is given throughout the manual that may help the operator in the operation or service of the machine.

▲ This symbol points out important safety instructions which if not followed could endanger your personal safety. Read and follow all instructions in this manual before attempting to operate this equipment.

### BEFORE OPERATING EQUIPMENT:

**PLEASE READ THIS SECTION CAREFULLY.** Read entire operating and maintenance instructions for this product. Failure to follow instructions could result in serious injury or death. Operate the machine according to the safety instructions outlined here and inserted throughout the text. Anyone who uses this machine must read the instructions and be familiar with the controls.

### INTENDED USE / FORESEEABLE MISUSE

**IMPORTANT:** This is a pull behind rotary mower that mows grass, brush, and trees up to 3" in diameter. The blades are manually engaged and disengaged by the user and are powered by a belt and gasoline-fueled internal combustion engine. It shall not be used for any other purpose.

### ▲ DANGER

**KEEP AWAY FROM ROTATING BLADES.  
ROTATING BLADES WILL CAUSE INJURY OR DEATH.**



### NOTICE

**NOTICE INDICATES YOUR EQUIPMENT CAN BE DAMAGED IF THE SAFETY INSTRUCTIONS THAT FOLLOW THIS SIGNAL WORD ARE NOT OBEYED.**

### IMPORTANT

**IMPORTANT INDICATES HELPFUL INFORMATION FOR PROPER ASSEMBLY, OPERATION OR MAINTENANCE OF YOUR EQUIPMENT.**

### ▲ CAUTION

**▲ CAUTION INDICATES A HAZARD WHICH, IF NOT AVOIDED, COULD RESULT IN PERSONAL INJURY AND/OR PROPERTY DAMAGE.**

### ▲ WARNING

**▲ WARNING INDICATES A HAZARD WHICH, IF NOT AVOIDED, COULD RESULT IN DEATH OR SERIOUS INJURY AND/OR PROPERTY DAMAGE.**

### ▲ DANGER

**▲ DANGER INDICATES A HAZARD WHICH, IF NOT AVOIDED, CERTAINLY WILL RESULT IN DEATH OR SERIOUS INJURY AND/OR PROPERTY DAMAGE.**

### ▲ WARNING

**▲ YOU MUST READ, UNDERSTAND AND COMPLY WITH ALL SAFETY AND OPERATING INSTRUCTIONS IN THIS MANUAL BEFORE ATTEMPTING TO SETUP AND OPERATE YOUR MACHINE. FAILURE TO COMPLY WITH ALL SAFETY AND OPERATING INSTRUCTIONS CAN RESULT IN LOSS OF MACHINE CONTROL, SERIOUS PERSONAL INJURY TO YOU AND/OR BYSTANDERS, AND RISK OF EQUIPMENT AND PROPERTY DAMAGE. THE TRIANGLE IN THE TEXT SIGNIFIES IMPORTANT CAUTIONS OR WARNINGS WHICH MUST BE FOLLOWED.**

## GENERAL SAFETY RULES

- Read, understand, and follow all instructions on the machine and in the manual(s). Be thoroughly familiar with the controls and the proper use of the mower before starting. Know how to disengaged the controls quickly and stop the machine.
- Familiarize yourself with all of the safety and operating decals on this equipment and on any of its attachments or accessories.
- Do not put hands or feet near or under rotating parts.
- Only allow responsible individuals, who are familiar with the instructions, to operate the mower.
- Thoroughly inspect the area where the machine is to be used and remove all foreign objects. Your equipment can propel small objects at high speed causing personal injury or property damage. Stay away from breakable objects, such as house windows, automobile, greenhouses, etc.
- Keep the area of operation clear of all persons, particularly small children, and pets.
- Wear appropriate clothing such as a long-sleeved shirt or jacket. Also wear long trousers or pants. Do not wear shorts.
- Do not wear loose clothing or jewelry. They can get caught in moving parts.
- Always wear safety goggles or safety glasses with side shields when operating mower to protect your eyes from foreign objects which can be thrown from the unit.
- Always wear work gloves and sturdy footwear. Wear footwear that will improve footing on slippery surfaces. Leather work shoes or short boots work well for most people. These will protect the operator's ankles and shins from small sticks, splinters, and other debris.
- It is advisable to wear protective headgear to prevent the possibility of being struck by small flying particles, or being struck by low hanging branches, twigs, or other objects which may be unnoticed by the operator.
- Do not operate the mower without proper guards or other safety protective devices in place.
- Use this equipment for its intended purpose only.
- See manufacturer's instructions for proper operation and installation of accessories. Only use accessories approved by the manufacturer.
- Operate only in daylight or good artificial light.
- Do not operate product when fatigued or under the influence of alcohol, drugs or other medication which can cause drowsiness or affect your ability to operate this machine safely.
- Never operate mower in wet grass. Always be sure of your vehicle's traction; keep a steady pace and do not exceed the recommended maximum speed in this manual.
- Stop the rotating cutting head and blades when crossing gravel drives, walks, or roads. Wait for the cutting blades to stop rotating before crossing.
- Watch for traffic when operating near, or when crossing roads.
- Stop the engine (motor) whenever you leave the equipment, before cleaning, repairing or inspecting the unit, be sure the mower and all moving parts have stopped. Let the engine cool, disconnect the spark plug wire, move it away from the spark plug and remove the ignition key.
- If the equipment should start to vibrate abnormally, stop the engine (motor), disconnect the spark plug wire, prevent it from touching the spark plug and remove the ignition key. Check immediately for cause. Vibration is generally a symptom of a larger issue.
- After striking a foreign object, stop the engine (motor). Remove the wire from the spark plug and remove the ignition key. Inspect the mower for damage. If damaged, repair before starting and operating the mower.
- Never leave the mower unattended when the engine is running.
- Regularly inspect the mower. Make sure parts are not bent, damaged or loose.
- Temperature of muffler and nearby areas may exceed 150° F (65°C). Allow muffler and nearby areas to cool before touching.
- Never pick up or carry machine while engine is running.
- Never operate or have engine running without having mower attached to suitable tow vehicle.

- Prolonged exposure to noise and vibration from gasoline engine powered equipment should be avoided. Take intermittent breaks and/or wear ear protection from engine noise.
- Check local regulations for age restrictions on use of this machine.
- If the noise or vibrations of the machine increase, stop immediately and perform an inspection.
- The fuel used in this machine is considered extremely flammable and should be handled with care. When storing extra fuel be sure that it is in an appropriate container and away from any fire hazards.
- Never attempt to make any adjustments while the engine is running (except where specifically recommended by the manufacturer).
- Blades of the mower should not rotate while the engine is running, and blade control handle is disengaged. If cutting blades rotate when blade control handle is disengaged, contact Earthquake customer service for instructions.
- Caution - Cutting head and blades will continue to rotate for a short period of time after blade control handle is disengaged. If cutting head and blades fail to stop rotating after 1 minute contact Earthquake customer service for instruction.

#### **BEFORE OPERATING EQUIPMENT:**

- Slopes are a major factor related to slip-and-fall or roll-over accidents which can result in severe injury. All slopes require extra caution. If you feel uneasy on a slope, do not mow it. Do mow up and down; never across the face of slopes. Do not mow slopes greater than 20 degrees, or as specified by the towing vehicle, which ever is less. Do not mow areas where the ground is very rough. See the "Slope Guide" in the back of this manual to check a slope. Exercise extreme caution when changing direction on slopes.
- Remove objects such as rocks, tree limbs, fence posts, etc.
- Watch for holes, ruts, or bumps. Tall grass can hide obstacles or foreign objects.

#### **IMPORTANT NOTES:**

***Do not mow near drop-offs, ditches, or embankments. The towing vehicle could lose traction or balance.***

***Do not mow excessively steep slopes.***

***Do not mow on wet grass. Reduced traction could cause slipping or roll-over. Wet piles of grass can also cause fire due to spontaneous combustion.***

***Do not mow in extremely dry or drought conditions. Sparks generated by the machine may cause ignition of grass and leaves.***

#### **CHILDREN:**

Tragic accidents can occur if the operator is not alert to the presence of children. Children are often attracted to the mower and the mowing activity. Never assume that children will remain where you last saw them.

- Keep children out of the mowing area and under the watchful care of a responsible adult that is not performing mower operation.
- Be alert and turn mower off if children enter the area.
- Before and while moving backwards, look behind and down for small children.
- Never allow children to operate the mower or be a passenger on the tow vehicle.
- Use extra care when approaching blind corners, shrubs, trees, or other objects that may obscure vision.

#### **SERVICE:**

- Use extra care in handling gasoline and other fuels. They are flammable and vapors are explosive.
- Fill fuel tank outdoors with extreme care. Never fill fuel tank indoors or near appliances with pilot lights, heaters, or other ignition sources. Replace fuel cap securely. If fuel is spilled, do not start the engine but move product and fuel container from area. Clean up spilled fuel and allow to evaporate.
- If the fuel has to be drained, this should be done outdoors. The drained fuel should be stored in a container specifically designed for fuel storage or it should be disposed of carefully and according to local regulations.

- Engines give off carbon monoxide, an odorless, colorless, poison gas. Breathing carbon monoxide can cause nausea, fainting or death. Always start and run engine outdoors. Do not start or run engine in an enclosed area, even if doors or windows are open.
- Never make adjustments or repairs with the engine (motor) running. Disconnect the spark plug wire, keep the wire away from the plug to prevent accidental starting, and remove the ignition key. Always wear eye protection when you make adjustments or repairs.
- Check the mower head and engine mounting bolts at frequent intervals for proper tightness.
- Keep all nuts and bolts tight and keep equipment in good condition. Check mounting hardware on mower prior to each use.
- Never tamper with safety devices. Check their proper operation regularly.
- When servicing or repairing the mower, do not tip the machine over or up unless specifically instructed to do so in this manual. Service and repair procedures can be done with the mower in an upright position. Some procedures will be easier if the machine is lifted on a raised platform or working surface.
- To reduce fire hazard, keep mower free of grass, leaves, or other debris build-up. Clean up oil or fuel spillage. Allow mower to cool before storing.
- Stop and inspect the equipment if you strike an object. Repair, if necessary, before restarting.
- Always disconnect spark plug wire and remove the ignition key before cleaning, repairing, or adjusting.
- Do not change the engine governor setting or over-speed the engine.
- Clean and replace safety and instruction decals as necessary.
- To guard against engine over-heating, always have engine debris filter mounted and clean.
- Inspect cooling fins on engine.

- Inspect mower before storage. When not in use, disconnect spark plug wire, remove ignition key and store indoors in a dry place locked or otherwise inaccessible to children.
- Use only original equipment or authorized replacement parts.
- Always follow the manufacturers instructions on operation of the tow vehicle.
- Always remove built up debris on the mower before storage. If build up is noticed during operation, stop immediately and remove debris following safety precautions in this manual.

## ENGINE SAFETY PRECAUTIONS

***If your product comes with a separate engine manual, be sure to read and follow all safety and warning precautions outlined there, in addition to any in this manual.***

## PREVENTING CARBON MONOXIDE POISONING

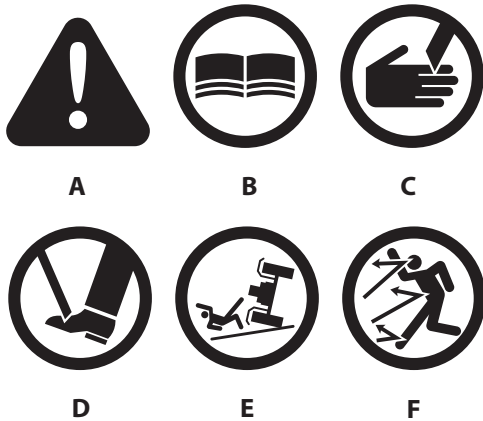
- Always start and run engine outdoors. Do not start or run engine in an enclosed area, even if doors or windows are open.
- Never try to ventilate engine exhaust indoors. Carbon monoxide can reach dangerous levels very quickly.
- Never run engine outdoors where exhaust fumes may be pulled into a building.
- Never run engine outdoors in a poorly ventilated area where the exhaust fumes may be trapped and not easily taken away. (Examples include: in a large hole or areas where hills surround your working area.)
- Never run engine in an enclosed or partially enclosed area. (Examples include: buildings that are enclosed on one or more sides, under tents, car ports or basements.)
- Never point the exhaust muffler towards anyone. People should always be many feet away from the operation of the engine and its attachments.
- Do not change the engine governor settings or over-speed the engine.

## **SAFE HANDLING OF GASOLINE**

- Use extra care in handling gasoline and other fuels. They are extremely flammable and vapors are explosive.
- Extinguish all cigarettes, cigars, pipes and other sources of ignition.
- Never remove gas cap or add fuel with the engine running. Allow engine to cool before refueling.
- Never store the machine or fuel container where there is an open flame, spark, or pilot light such as on a water heater or on other appliances.
- Never fill containers inside a vehicle or on a truck or trailer bed with a plastic liner. Always place containers on the ground away from your vehicle before filling.
- Remove gas powered equipment from the truck or trailer and refuel it on the ground. If this is not possible, then refuel such equipment with a portable container, rather than from a gasoline dispenser nozzle.
- Keep the nozzle in contact with the rim of the fuel tank or container opening at all times until fueling is complete. Do not use a nozzle lock open device.
- If fuel is spilled on clothing, change clothing immediately.
- Never overfill fuel tank. Replace gas cap and tighten securely.
- If fuel is spilled do not attempt to start the engine but move the machine away from the area of spillage and avoid creating any source of ignition until fuel vapors have dissipated.
- Prevent fire and explosion caused by static electric discharge.
- Use only nonmetal, portable fuel containers approved by the Underwriter's Laboratory (U.L.) or the American Society for Testing & Materials (ASTM).
- Always fill fuel tank outside in a well ventilated area. Never fill your fuel tank with fuel indoors. (Examples include: basement, garage, barn, shed, house, porch, etc.).
- Test the fuel cap for proper installation before starting and using engine.
- Always run the engine with fuel cap properly installed on the engine.

## SAFETY DECALS AND WARNINGS

Pictured below are safety and hazard symbols on the unit or in this manual. Before you operate your unit, learn and understand the purpose for each symbol.



### HAZARD SYMBOLS AND MEANINGS

- a: Warning!
- b: Read Owner's Manual Before Operating Machine
- c: Keep Hands Clear, Contact Can Injure
- d: Keep Feet Clear, Contact Can Injure
- e: Go Up And Down Slopes, Not Across Slopes Sideways
- f: Remove Objects That Could Be Thrown By The Blade

Should any of the safety labels become unreadable because of being worn, faded, or otherwise damaged during the use of your mower, please use the part number information provided to order a replacement label.



Part Number: 21433  
Decal Danger Spinning Blades



Part Number: 21429  
Decal Danger Keep Hands And Feet Away



Part Number: 21432  
Decal Caution Do Not Exceed 5 MPH

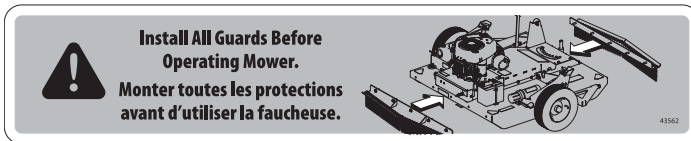


Part Number: 21430  
Decal Mower Warnings





Part Number: 42909  
Decal Danger Flying Debris Guard Not Installed



Part Number: 43562  
Decal Install All Guards Before Operating Mower

## FEATURES

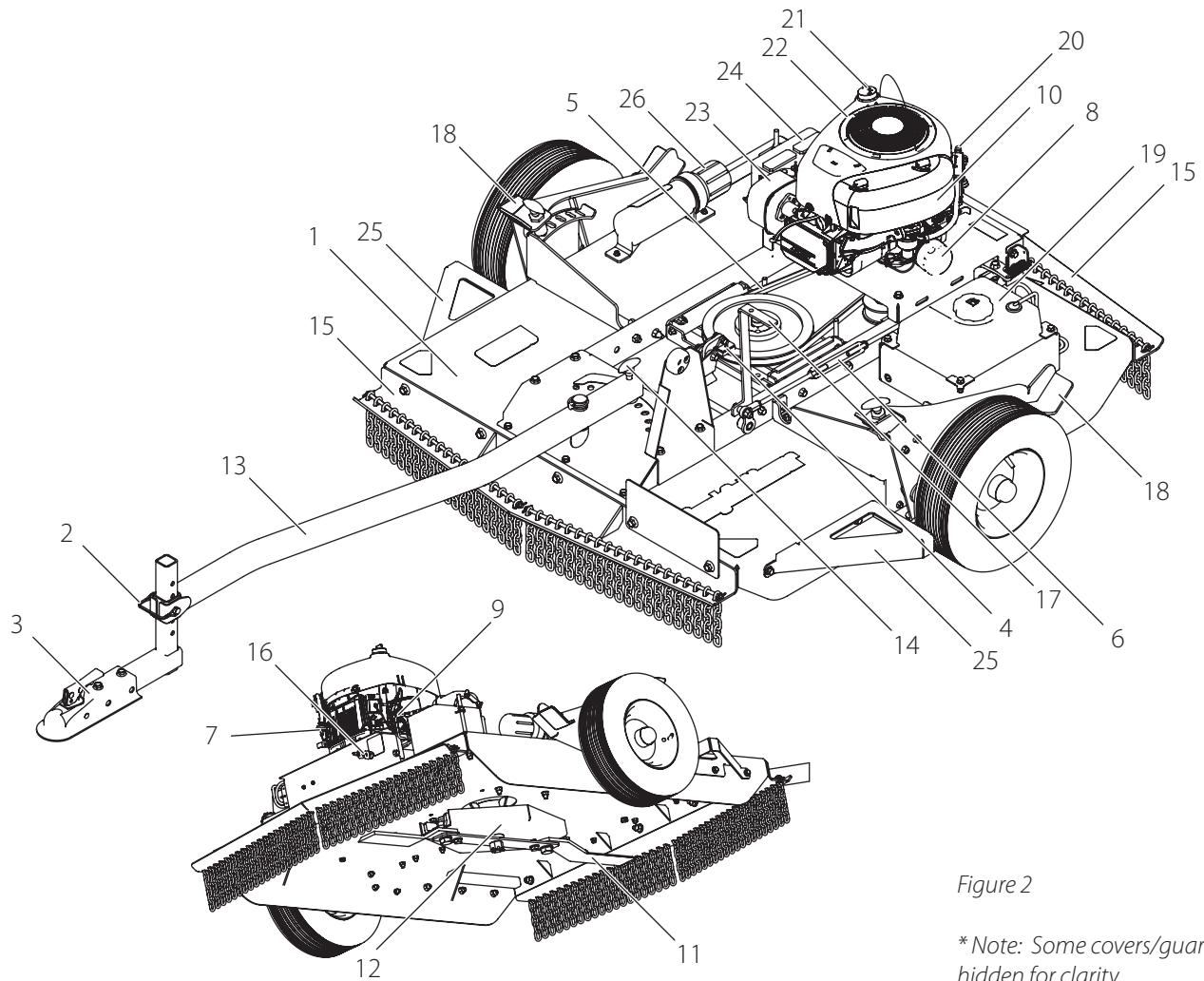


Figure 2

\* Note: Some covers/guards hidden for clarity.

FEATURE	LOCATION	FEATURE	LOCATION
Adjustable Ball Coupler Hitch . . . . .	3	Exhaust Muffler . . . . .	23
Air Filter Element (Under Cover) . . . . .	10	Fuel Pump . . . . .	20
Battery . . . . .	24	Fuel Tank (1.72 Gallon) . . . . .	19
Blade Control Handle . . . . .	17	Hitch Height Adjustment Pin . . . . .	2
Blade Belt Adjustment Turnbuckle . . . . .	6	Key Start Ignition . . . . .	16
Break-away Cutting Blades . . . . .	11	Mower Deck . . . . .	1
Choke Control . . . . .	7	Oil Fill Port . . . . .	21
Cutting Head . . . . .	12	Oil Filter . . . . .	8
Cutting Head Brake . . . . .	4	Storage Canister . . . . .	26
Cutting Head Drive Belt . . . . .	5	Tongue Locking Pin . . . . .	14
Debris Guards (Front and Rear) . . . . .	15	Tool-less Adjustable Tongue (9 Towing Positions) . . . . .	13
Electric Start Gasoline Air-Cooled Engine . . . . .	22	Tool-less Step-and-Drop Wheel Adjusters (5 Positions) . . . . .	18
Engine Oil Drain . . . . .	9	Wheel Brush Guard . . . . .	25

## ⚠ WARNING

**▲ USE THE CORRECT PERSONAL PROTECTION. WEAR SAFETY GLASSES OR FACE SHIELDS WHILE ASSEMBLING OR OPERATING THE MOWER.**

**BE CAREFUL OF SHARP EDGES. THE CUTTER BLADE ASSEMBLY CAN ROTATE AS THE DECK IS MANEUVERED. WEAR GLOVES WHEN HANDLING THE MOWER DECK AND CUTTER BLADES.**

**REMOVE SPARK PLUG WIRE FROM SPARK PLUG AND KEY FROM IGNITION BEFORE DOING ANY ASSEMBLY OR MAINTENANCE TO THE MOWER.**

**MULTIPLE PERSON OR MECHANICAL LIFT REQUIRED. THE RC4432 MOWER WEIGHS 675 LBS. DO NOT TRY TO LIFT ALONE.**

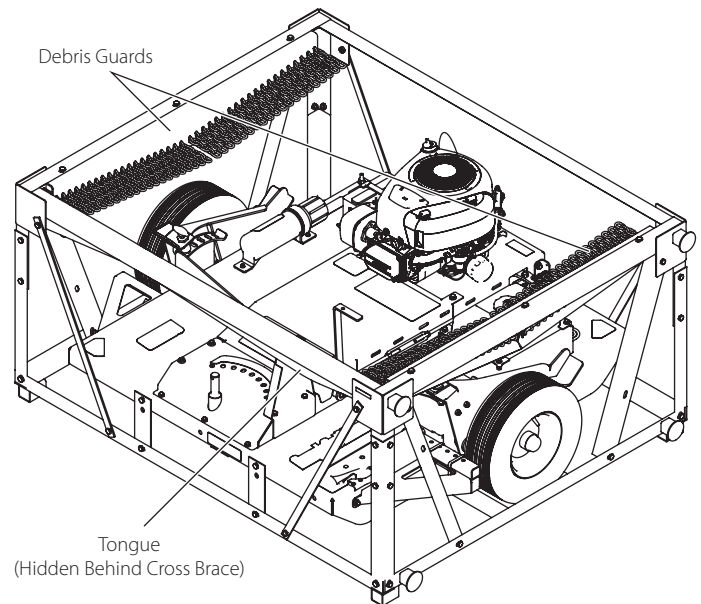


Figure 3

## ASSEMBLY

### TOOLS REQUIRED

- Wrenches
- Tire Pressure Gauge
- Side Cutter or Industrial Scissors
- Safety Goggles and Gloves
- Tow Vehicle

### REMOVE THE MOWER FROM THE SHIPPING CRATE

1. Remove any loose parts or packaging from the crate.
2. Remove debris guards and tongue from crate.
3. Remove parts bags from storage canister.
4. Remove bolts and nuts from legs and braces securing top frame of crate to bottom frame. Use two people to lift top frame off and set aside.
5. Remove nuts, bolts and tabs securing mower deck to lower crate frame.
6. Using the supplied M12 nuts and bolts (quantity 10), install front and rear debris guards and deflector to mower deck. Torque bolts to 70 ft-lbs (95 Nm).

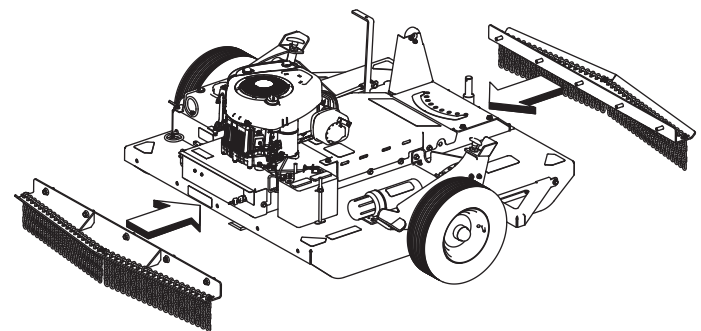


Figure 4

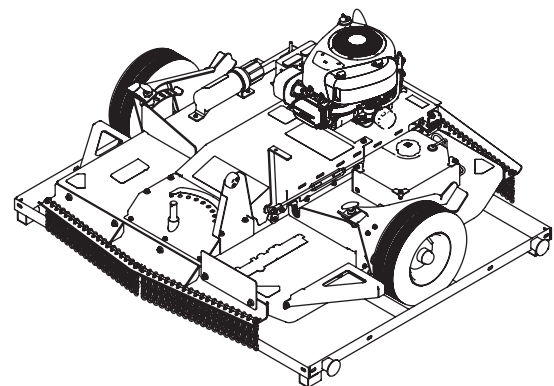


Figure 5

**DANGER: Do Not Operate Without Both Front and Rear Debris Guards Installed. Failure to install debris guards may result in serious injury or death. If you need help, have any questions, or are missing parts, contact Earthquake customer service before continuing.**

7. Assemble and install hitch and tongue onto machine. Use the tongue locking pin to secure the tongue into the center or straight position.
8. Raise the cutter deck to the highest height position (see cutter height adjustment on page 13) to clear the crate. The mower can now be slowly rolled or pulled off the shipping crate frame.
9. Remove any additional packaging materials and inspect the mower.

## ENGINE PREPARATION

See the engine manufacturer's instructions for the type of gasoline and oil to use. Before you use the unit, read the information on safety, operation, maintenance, and storage.

### WARNING

**▲ USE THE CORRECT PERSONAL PROTECTION. GASOLINE AND ENGINE OIL ARE HAZARDOUS TO YOUR HEALTH.**

**ALWAYS USE A SAFETY APPROVED GASOLINE CONTAINER.**

**DO NOT SMOKE WHEN ADDING GASOLINE TO THE ENGINE.**

**DO NOT FILL WITH GASOLINE WHEN INSIDE AN ENCLOSURE. ALWAYS MOVE OUTDOORS WHERE FUEL VAPORS WILL NOT COLLECT.**

**THE ENGINE AND MUFFLER CAN BE VERY HOT AND CAUSE BURNS. BEFORE YOU ADD GASOLINE, STOP THE ENGINE. LET THE ENGINE COOL FOR SEVERAL MINUTES.**

### FILL CRANKCASE WITH OIL

See engine manual for oil fill instructions.

### CAUTION

**▲ ENGINE DOES NOT CONTAIN OIL OR GASOLINE WHEN SHIPPED FROM THE FACTORY. YOU MUST SERVICE THE ENGINE BEFORE OPERATION.**

**FOLLOW THE ENGINE MANUFACTURER'S INSTRUCTIONS FOR THE TYPE OF GASOLINE AND OIL TO USE.**

### FILL FUEL TANK WITH GASOLINE

See the engine manufacturer's instructions for the type of gasoline to use.

## BATTERY PREPARATION

The Rough Cut Mower is supplied with a 12 volt, maintenance free lead acid battery. When the battery is properly maintained and charged, it will provide years of dependable service.

## ⚠ WARNING

**▲ USE THE CORRECT PERSONAL PROTECTION. BATTERY CONTAINS SULFURIC ACID AND IS CORROSIVE. YOU MUST WEAR SAFETY GOGGLES AND GLOVES WHEN SERVICING THE BATTERY.**

**DO NOT DROP THE BATTERY. BATTERY IS HEAVY AND CAN CAUSE DAMAGE TO EQUIPMENT OR CAUSE PERSONAL INJURY IF DROPPED.**

**USE THE CORRECT CHARGER AND ALWAYS INSPECT THE BATTERY AND TERMINALS FOR DAMAGE OR WEAR. REPLACE ANY DAMAGED OR WORN ITEMS.**

**DO NOT LIFT OR CARRY THE BATTERY BY THE TERMINALS OR CABLES. DO NOT SHORT CIRCUIT THE BATTERY TERMINALS. DAMAGE TO THE BATTERY OR FIRE CAN OCCUR. SERIOUS INJURY OR DEATH CAN RESULT.**

## ⚠ WARNING

**▲ MAKE SURE YOU READ AND UNDERSTAND THE OPERATORS MANUAL BEFORE ATTEMPTING TO OPERATE THIS MACHINE. KNOW HOW TO QUICKLY SHUT DOWN THE MOWER AND TOW VEHICLE BEFORE ATTEMPTING TO OPERATE THIS MACHINE.**

**BE CAREFUL AROUND MOVING PARTS. THE MOWER HEAD WILL CONTINUE TO ROTATE FOR SEVERAL SECONDS AFTER THE ENGINE HAS STOPPED.**

**DO NOT ATTEMPT TO CRANK OR START THE ENGINE BEFORE IT HAS BEEN PROPERLY SERVICED WITH THE RECOMMENDED OIL. THIS MAY RESULT IN AN ENGINE FAILURE.**

**DO NOT MODIFY, REMOVE, CUT, BEND, OR WELD THE PARTS OF THE MOWER OR THE SHIELD GUARDS. MODIFICATION OF YOUR MACHINE WILL VOID YOUR WARRANTY AND CAN CAUSE PROPERTY DAMAGE, SERIOUS INJURY AND/OR DEATH.**

**ALWAYS BE AWARE OF THE MOWER POSITION. THE MOWER CAN BE TOWED AT AN OFF SET AND MAY NOT ALWAYS BE DIRECTLY BEHIND THE TOW VEHICLE.**

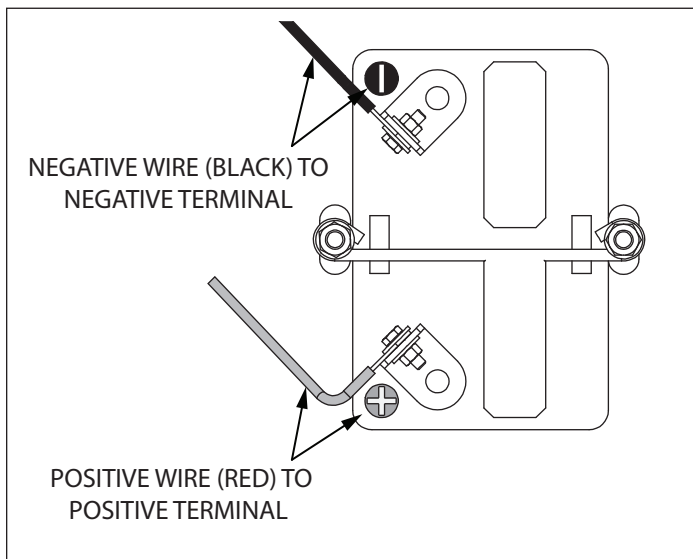


Figure 6

1. The Rough Cut Mower is shipped with the negative battery terminal disconnected. This is to prevent battery discharge while in shipping. If necessary, connect the terminal and charge the battery.

## WHEEL PREPARATION

Use a tire pressure gauge to check the tire pressure. Fill tires to a maximum of 28psi.

## OPERATION

### HOW TO START THE MOWER

1. Make sure the battery is connected and grounded. See Figure 6.
2. Make sure the blade control handle is in the DISENGAGED position. See Figure 7.
3. Review engine starting instructions in engine manual
4. Pull out choke on engine. If restarting a hot engine, choke may not be necessary.
5. Turn the key switch to the center position RUN position and then to the START position for no more than 5 seconds. Repeat up to 3 times until the engine starts. (If engine fails to start after 3 attempts, refer to Trouble Shooting Guide). When the engine starts, release the key to the RUN position.
6. Push in choke control once engine starts.

**⚠ WARNING**

**▲ IF DURING OPERATION THE MOWER MAKES UNUSUAL NOISES OR VIBRATIONS, SHUT OFF THE TOW VEHICLE THEN SHUT OFF THE ROUGH CUT MOWER ENGINE. WAIT FOR THE ENGINE AND MOWER PARTS TO COOL. REMOVE THE SPARK PLUG AND KEY FROM IGNITION BEFORE INSPECTING THE MOWER.**

**INSPECT MOWER FOR LOOSE, WORN, DAMAGED, OR MISSING HARDWARE. REPAIR OR REPLACE ANY DAMAGED PARTS BEFORE OPERATION OF THE MOWER. ALWAYS USE APPROVED REPLACEMENT PARTS AND HARDWARE.**

**CLEAR ALL OBSTRUCTIONS FROM THE MOWER DECK, AIR FILTER, AND EXHAUST MUFFLER AREAS.**

**MOWER BLADES ARE SHARP. MAKE SURE YOU WRAP THE BLADES OR USE GLOVES WHEN SERVICING.**

**DO NOT ALLOW PEOPLE OR PETS TO RIDE ON THE MOWER WHEN RUNNING OR STOPPED.**

**DISENGAGE THE MOWER BLADES AND USE EXTREME CAUTION WHEN CROSSING DRIVEWAYS, SIDEWALKS, OR ROADWAYS. BE ALERT FOR TRAFFIC AND HIDDEN ROAD HAZARDS.**

**NEVER LEAVE TOW VEHICLE OR MOWER RUNNING UNATTENDED. MAKE SURE TO SHUT DOWN THE TOW VEHICLE PER MANUFACTURERS INSTRUCTIONS. SET THE PARKING BRAKE AND REMOVE THE KEY. DISENGAGE THE MOWER CUTTING BLADES, SHUT DOWN THE ROUGH CUT MOWER ENGINE AND REMOVE THE KEY.**

**SHUT OFF ENGINE BEFORE ADJUSTING DECK HEIGHT. KEEP HANDS AND FEET FROM UNDER THE DECK. MAKE SURE BLADES ARE STOPPED. THE MOWER IS HEAVY AND COULD CAUSE INJURY.**

**DO NOT PLACE HANDS OR FEET UNDER DECK OF MOWER WHEN ENGINE IS RUNNING OR BLADES ARE TURNING.**

**FAILURE TO FOLLOW WARNINGS CAN RESULT IN SERIOUS INJURY OR DEATH.**

**HOW TO STOP THE MOWER**

1. Make sure the blade control handle is in the DISENGAGED position.
2. Turn the key to the STOP position. Always remove the key for safety.

**ENGAGE/DISENGAGE THE CUTTING BLADES**

1. Engage the cutter blades by pulling the blade control handle towards the front of the mower. The handle should stay in forward/down position on its own.
2. Disengage the cutter blades by pushing the blade control handle towards the rear of the mower or by pulling the rope attached to the blade control handle. The handle should snap back to backward/up position.

**CUTTER DECK HEIGHT ADJUSTMENT**

1. To adjust the cutting height:
  - a. Apply foot pressure to the deck height adjuster foot pad. See Figure 7.
  - b. While holding foot pressure on the foot pad, lift the spring loaded deck height adjustment knob to disengage and allow movement of the deck height adjuster.
  - c. Apply or release foot pressure on the deck height adjuster foot pad to align the index holes on the top deck height adjuster to achieve the desired height.
  - d. Release the spring loaded deck height adjustment knob into the appropriate hole to secure the mower deck at the required height.
2. Repeat Steps 1 a. - d. to adjust the other side.

**NOTE: Make sure the left and right sides of the mower deck height adjustment is the same on both sides. Cutting height is between 3.5 to 7.5 inches.**

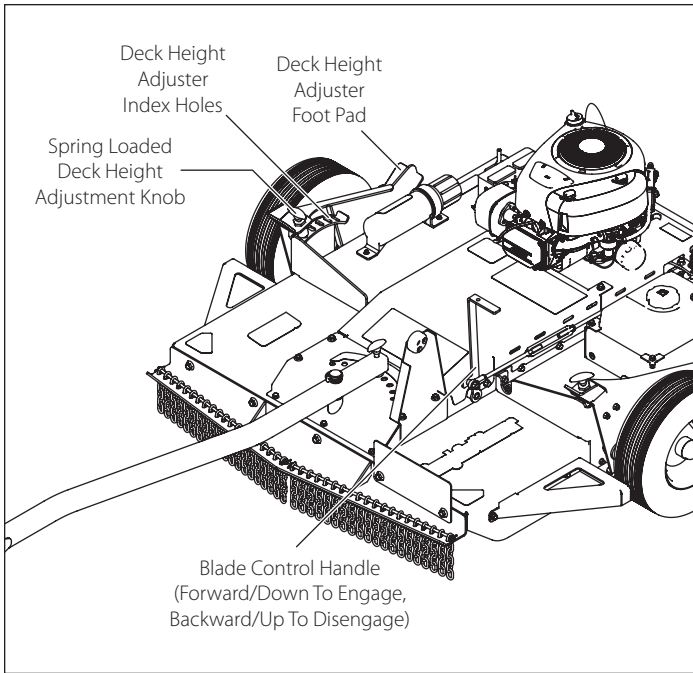


Figure 7

## TONGUE OFFSET ADJUSTMENT

1. Offset the tongue as follows:
  - a. Lift the spring loaded tongue locking pin knob and turn 90 degrees to lock in the up/disengaged position.
  - b. Position the tow bar at the desired numbered offset hole on the deck mount degree plate. See Figure 9 and Table 1.
  - c. Lift the spring loaded tongue locking pin knob and turn 90 degrees to lock in the down/engaged position. Make sure the pin engages completely.

**NOTE: Hitch point of towing vehicle should be beyond edge of rear tires for best towing performance.**

## BALL COUPLER HITCH ADJUSTMENT

1. Remove hitch height adjustment pin and slide hitch up or down in tube to reach desired height. See Figure 8.

**NOTE: Ball coupler can be reversed on hitch to accommodate different height ranges.**

2. Line up desired hole and replace pin.

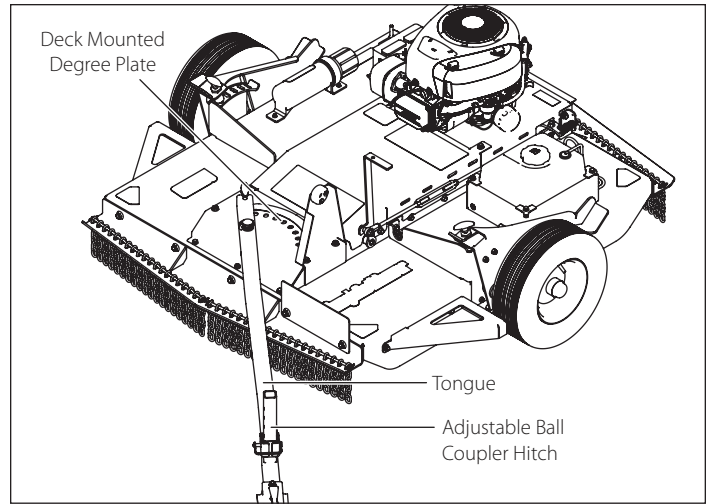


Figure 8

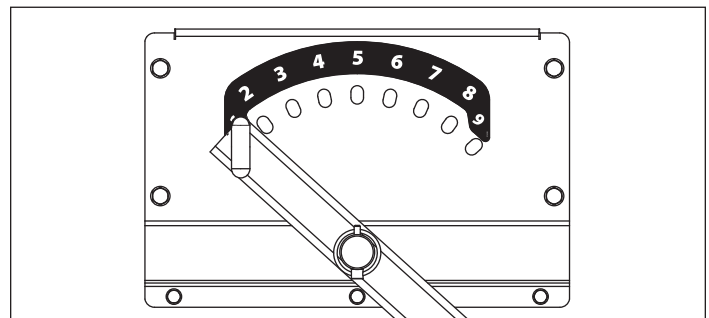


Figure 9

Table 1	Tongue Offset Guide
Position	Offset (in)
1	49.8
2	39.4
3	27.0
4	14.0
5	0.0
6	14.0
7	27.0
8	39.4
9	49.8

**⚠ WARNING**

**▲ DO NOT MAKE ADJUSTMENTS TO MOWER WHILE ENGINE IS RUNNING.**

**DO NOT LEAVE MOWER UNATTENDED WHILE ENGINE OR TOW VEHICLE IS RUNNING. SET THE TOW VEHICLE PARKING BRAKE, SHUT OFF THE TOW VEHICLE. DISENGAGE THE MOWER CUTTING BLADES, SHUT OFF THE ROUGH CUT MOWER ENGINE. WAIT FOR THE MOWER BLADES TO STOP ROTATING.**

**NEVER RUN THE ENGINE INDOORS OR IN A POORLY VENTILATED AREA. ENGINE EXHAUST CONTAINS CARBON MONOXIDE, AN ODORLESS AND DEADLY GAS.**

**KEEP HANDS, FEET, HAIR AND LOOSE CLOTHING AWAY FROM THE MOWER AND ANY MOVING PARTS ON THE ENGINE.**

**DO NOT TOUCH THE MUFFLER OR SURROUNDING AREAS. TEMPERATURES MAY EXCEED 150 DEGREES FAHRENHEIT.**

**DEBRIS SUCH AS STICKS, GRAVEL OR ROCKS CAN BE THROWN WITH SUFFICIENT FORCE TO CAUSE PERSONAL INJURY OR PROPERTY DAMAGE.**

**CHECK THE TOW VEHICLE OWNERS MANUAL TO DETERMINE THE TOWING CAPACITY ON SLOPES AND HILLS. USE EXTREME CAUTION WHEN OPERATING THE MOWER HILLY, UNEVEN, OR WET TERRAIN. MAKE SURE YOU FOLLOW RECOMMENDATIONS SO YOU DO NOT TIP THE MOWER OVER.**

**NEVER USE THE MOWER ON SLOPES GREATER THAN 20 DEGREES.**

**FOR BETTER CONTROL ON SLOPES, MOW UP AND DOWN AND NEVER ACROSS THE SLOPE.**

**DRIVE BELT TENSION ADJUSTMENT**

1. Loosen jamb nut by turnbuckle on engagement rod.
2. Turn turnbuckle to increase or decrease length or engagement rod.

**Note: Increasing length of rod reduces belt tension, decreasing length of rod increases belt tension.**

3. Once desired belt tension is reached, tighten jamb nut against turnbuckle.

**Note: Belt should be tight enough to not slip during use, but loose enough that engaging blades is easy. Belt slip can be noticed by excessive belt wear, belt shavings in drive area, hot belt after minimal use, cutting performance decreases without engine RPM decreasing, smell of rubber during use.**

**CUTTING BLADES**

- Check cutting blades for damage before each use.
- Blades with large dents, blade wear or other damage should be replaced.
- Always replace blades in pairs to maintain cutting head balance.
- Dull undamaged blades can be sharpened with a file or grinder.
- Remove blades from mower before sharpening.
- Sharpen blades evenly to maintain balance.
- Edge should not be sharpened to a point for best blade life. Leave 1/16" blunt edge.
- Reinstall blades and torque bolts to 600nm (443 ft-lbs).
- Replace any damaged hardware.

**MOWER TIPS**

- Never operate outside of tow vehicle recommendations or limitations.
- If the weeds or grass are tall and thick, operate the mower at a slower towing speed.
- Frequently clean the underside of the mower to remove any



grass build up. See the “Maintenance, Service and Storage” section for details.

- Do not mow on excessively steep slopes. Never use the mower on slopes greater than 20 degrees using any type of tow vehicle. Do not mow on slopes when the ground is slippery or wet. Mow up and down the face of the slope, not across.
- Do not operate tow vehicle over 5 mph on flat terrain, or 4 mph on rough terrain while towing the mower.
- When cutting larger wooded sections like small saplings, allow the mower to ride up over the material slowly. Use a slower speed to adjust for various conditions.
- After the first pass of cutting large saplings, mow the section again to clean additional debris. Mow from the trunk towards the top as the brush lays on the ground.
- Do not use a commercial or non-commercial automobile, truck, sport utility vehicle (SUV) or motorcycle, as defined by the Wisconsin Department of Motor Vehicles, to tow the Rough Cut Mower. These vehicles make it difficult to see and control the mower. Use of these tow vehicle types will void the warranty.
- Adjust height of hitch to pitch mower back front upward to get better mulching of debris.

Note: This increases engine load and slower ground speed is recommended.

- Mowing of grass in a position that offsets out of the towing vehicle wheel tracks will result in more even cut due to lack of matting of grass from towing vehicle.
- Lower deck settings result in better single pass cuts in grass.
- Attach blade engagement handle rope to towing vehicle in location that can easily be removed. Pull rope to disengage blades and prevent engine stall or blade damage by foreign objects.

**Note: Remember to remove rope before unhitching mower.**

## TOW VEHICLE RECOMMENDATIONS

Earthquake® recommends a tow vehicle be either two or four wheel drive. Some suitable suggestions are listed below:

- Compact or Sub-compact tractor
- Utility Vehicle (UTV)
- All-Terrain Vehicle (ATV)
- Lawn/Garden Tractor (17 HP and above and weighing at least 500 lbs.)
- Riding lawn mowers with engines under 17 HP and weighing less than 500 lbs. are not suitable for use on slopes greater than 5 degrees.

**NOTE: Do not operate the tow vehicle out side of the manufacturers recommended operating instructions or conditions. Lawn and garden tractors work best as tow vehicles when the cutting deck is removed.**

## MAINTENANCE, SERVICE, AND STORAGE

### How to Change Engine Oil

See engine manual for manufacturer's recommendations.

### WARNING

**▲ BEFORE YOU INSPECT, CLEAN OR SERVICE THE MOWER, STOP THE ENGINE. MAKE SURE THAT ALL MOVING PARTS HAVE STOPPED. DISCONNECT THE WIRE FROM THE SPARK PLUG AND REMOVE KEY FROM THE IGNITION.**

## MAINTENANCE SCHEDULE

**NOTE: Maintenance, replacement or repair of the emissions control devices and systems may be performed by any non-road engine repair establishment or individuals. However, items must be serviced by an authorized dealer to obtain "no charge" emissions control service. Good maintenance is essential to help reduce air pollution and for safe, economical and trouble-free operation.**

Service Records	Before Each Use	Every 25 Hours	As Noted
Check Engine Oil Level	X		
Check Mower Blades	X		
Check Tire Pressure	X		
Engine/Machine Cleaning	X		1
Check Nuts And Bolts	X		
Check Spark Plug		X	2
Change Engine Oil		X	2
Service Air Filter		X	2
Check Belt Tension	X		

Table 2

**NOTE 1 - Clean daily if used in extremely dusty or dirty conditions.**

**NOTE 2 - Change more often if used in extremely dusty or dirty conditions. Follow engine manufacturer's recommendation.**

## STORAGE

When the mower is put in storage for thirty days or more, follow the steps below to make sure the mower is in good condition the following season.

### MOWER:

1. Store the mower in a building that is well-ventilated.
2. Completely clean the mower, including dirt and debris from the cylinder cooling fins and the engine housing.
3. Fully charge battery. After complete charge, disconnect negative battery terminal and move away from battery post.
4. When not in use, disconnect spark plug wire, remove key from ignition and store in a well-ventilated area inaccessible to children.

**NOTE: A yearly check-up or tune-up at an authorized service dealer will ensure that the mower will provide maximum performance for the next season.**

### ENGINE:

1. Follow manufacturer's recommendation for engine long-term storage.

## TROUBLESHOOTING & REPAIR

At Earthquake®, we build quality and durability into the design of our products; but no amount of careful design by us, and careful maintenance by you, can guarantee a repair-free life for your Rough Cut Mower. Most repairs will be minor, and easily fixed by following the suggestions in the troubleshooting guide in this section.

The guide will help you pinpoint the causes of common problems and identify remedies.

For more complicated repairs, you may want to rely on an authorized service center. A parts breakdown is located in a separate manual.

We will always be glad to answer any questions you have, or help you find suitable assistance. To order parts or inquire about warranty, call or email us using the contact information found below.

## WARNING

**▲ DO NOT REMOVE GASOLINE WHILE INSIDE A BUILDING, NEAR A FIRE, OR WHILE YOU SMOKE. GASOLINE FUMES CAN CAUSE AN EXPLOSION OR A FIRE.**

## ORDERING REPLACEMENT PARTS

Parts can be obtained from the store where the rough cut mower was purchased or direct from the factory. To order parts visit [www.getearthquake.com](http://www.getearthquake.com) or call 800-345-6007.

For other general questions, you can e-mail us at [info@getearthquake.com](mailto:info@getearthquake.com).

Please include the following information with your order:

- 1) Part numbers
- 2) Part description
- 3) Quantity
- 4) Model number and serial number

## GENERAL RECOMMENDATIONS

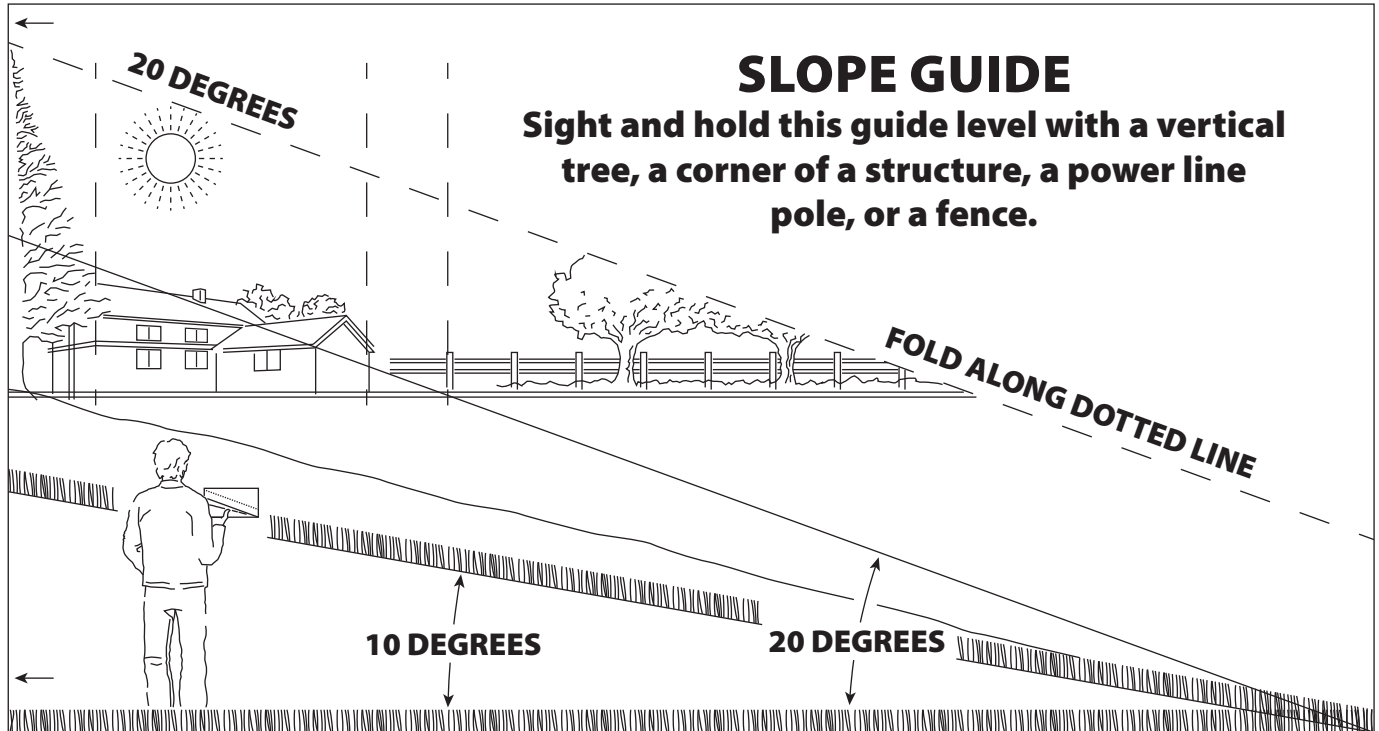
The warranty on this mower does not cover items that have been subjected to operator abuse or negligence. To receive full value from the warranty, the operator must maintain the mower as instructed in this manual.

Some adjustments must be made periodically to properly maintain your mower. All adjustments in the "Service and Adjustments" section of this manual must be checked at least once each season.

**TROUBLESHOOTING GUIDE** *NOTE: Please see the engine manual for a full troubleshooting guide for any engine issues.*

Trouble	Cause	Correction
Engine does not start	Spark plug wire disconnected	Connect spark plug wire
	Defective or incorrectly gapped spark plug	See engine manual
	Fuel tank empty	Add fuel
	Dirty carburetor or fuel line	See engine manual
	Dirty air filter	See engine manual
	Carburetor out of adjustment	For carburetor adjustment, take the unit to an authorized service center
	Engine flooded	Wait several minutes before starting
	Stale gasoline	Drain old gasoline and add fresh gas
	Defective ignition	See engine manual
	Battery has no charge	Charge and replace if dead, damaged, or defective
Engine runs poorly	Bad spark plug	Replace spark plug
	Dirty air filter	See engine manual
	Carburetor out of adjustment	For carburetor adjustment, take the unit to an authorized service center
	Stale gasoline	Drain old gasoline and add fresh gas
	Engine cooling system clogged	Clean debris screen and engine cooling fins
Engine overheats	Engine cooling system clogged	Clean debris screen and engine cooling fins
	Carburetor out of adjustment	For carburetor adjustment, take the unit to an authorized service center
	Oil level is low	Add oil
Engine will not stop running	Ignition failed	Inspect and replace damaged parts
	Wire disconnected from ignition	Inspect, repair, or replace damaged parts
Poor Mower Performance	Cutter Blades Dull	Sharpen or replace mower blades
	Belt Tension Loose	Adjust Belt Tension
Mower Vibrates	Loose nuts or bolts	Check all bolts and nuts, including engine bolts
	Broken mower head / blades	Replace broken parts
Blades Won't Spin	Blade engagement handle in backward/up position	Lower handle to the forward/down position
	Broken drive belt	Replace belt
	Belt tension loose	Adjust belt tension

## SLOPE GUIDE



Use this guide to determine slope angle.

### **DO NOT MOW ON A SLOPE GREATER THAN 20 DEGREES.**

- A 10 degree slope is a hill that increases in height at approximately 1.76 feet (53.6 cm) in 10 feet (304.5 cm).
- A 20 degree slope is a hill that increases in height at approximately 3.64 feet (110.9 cm) in 10 feet (304.5 cm).

### **⚠ WARNING**

**▲ USE EXTREME CARE AT ALL TIMES AND AVOID SUDDEN TURNS OR MANEUVERS. FOLLOW OTHER INSTRUCTIONS IN THIS MANUAL FOR SAFETY IN MOWING ON SLOPES. OPERATE A MOWER UP AND DOWN SLOPES, NEVER ACROSS SLOPES. USE EXTRA CARE WHEN OPERATING ON OR NEAR SLOPES AND OBSTRUCTIONS.**



## ACTIVEZ LA GARANTIE AVANT UTILISATION

Tous les produits doivent être enregistrés dans les 30 jours à compter de la date d'achat pour être couverts par la garantie. Pour plus d'information sur la garantie et l'enregistrement, veuillez consulter les modalités et conditions de la garantie et de l'enregistrement figurant dans l'encart de garantie.

## TABLE DES MATIÈRES

Introduction / Sommaire . . . . .	22
Avertissements et mesures de précaution . . . . .	23
Caractéristiques. . . . .	30
Assemblage . . . . .	31
Utilisation . . . . .	33
Maintenance, entretien et entreposage. . . . .	38
Dépannage et réparation . . . . .	39

## INTRODUCTION

Merci d'avoir acheté ce produit Earthquake®. Nous nous sommes attachés à ce que ce produit réponde aux plus hautes normes d'utilisation et de durabilité. Moyennant des soins corrects, votre achat offrira de nombreuses années de service fiable.

Veuillez lire ce manuel en entier avant de l'installer et de l'utiliser. Earthquake® se réserve le droit de changer, modifier ou améliorer ce produit et cette documentation à tout moment sans préavis. En raison des constantes améliorations de nos produits, les représentations du produit peuvent être inexactes. Un certain assemblage peut être requis.

Veuillez lire ce manuel et le conserver pour toute consultation ultérieure. Ce manuel contient des renseignements importants concernant la sécurité, l'assemblage, l'utilisation et l'entretien. Le propriétaire doit veiller à ce que toute la documentation sur le produit soit fournie avec l'appareil. Cette documentation comprend le manuel, la liste des pièces de rechange et les garanties. Cette documentation doit être fournie en vertu de la réglementation en vigueur. Toutes les personnes à qui cette machine est louée ou prêtée doivent avoir accès à ces informations et les comprendre.

Le présent manuel doit rester avec le produit, notamment s'il est revendu. Ce manuel peut être rangé sur la machine dans le coffret de rangement sur le dessus du carter.

## ENREGISTREMENT ET SERVICE APRÈS-VENTE

Consigner le numéro de modèle et le numéro de série du produit dans l'espace prévu pour y accéder facilement lors des commandes de pièces détachées ou des demandes d'assistance technique. À l'exception des articles couverts par la garantie sur le contrôle des émissions, la garantie est valable uniquement si l'enregistrement dûment rempli est reçu par Ardisam dans les 30 jours après l'achat. L'enregistrement de la garantie peut se faire en ligne à [www.GetEarthquake.com](http://www.GetEarthquake.com) ou par courrier à : Ardisam, 1730 Industrial Avenue, Cumberland, WI 54829, États-Unis. Il est aussi possible d'appeler notre Service après-vente au (800) 345-6007 du lundi au vendredi de 8h00 à 16h30 HNC.

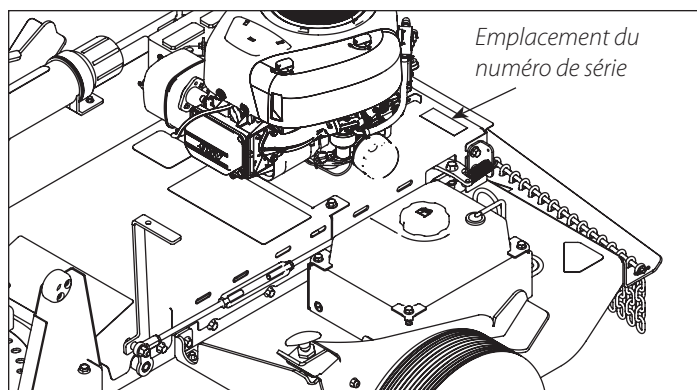


Figure 1

Numéro de série

\_\_\_\_\_

Date d'achat

**⚠ DANGER**

**▲ AVERTISSEMENT PROPOSITION 65 DE CALIFORNIEN - L'ÉCHAPPEMENT DU MOTEUR DE CE PRODUIT CONTIENT DES SUBSTANCES CHIMIQUES DÉCLARÉES RESPONSABLES DE CANCER, MALFORMATIONS CONGÉNITALES OU AUTRES ANOMALIES DE LA REPRODUCTION PAR L'ÉTAT DE CALIFORNIE.**

## AVERTISSEMENTS ET MESURES DE PRÉCAUTION

### RESPONSABILITÉ DU PROPRIÉTAIRE

L'assemblage correct et l'utilisation sûre et efficace de la machine relèvent de la responsabilité de l'utilisateur.

- Lire et respecter toutes les instructions de sécurité.
- Suivre avec attention toutes les instructions d'assemblage.
- Entretien la machine conformément aux instructions et au calendrier figurant dans le manuel de l'utilisateur Earthquake®.
- S'assurer que quiconque utilise la machine est bien familiarisé avec toutes les commandes et mesures de précaution.

### MESSAGES SPÉCIAUX

Ce manuel contient des messages spéciaux attirant l'attention sur des problèmes de sécurité et dommages potentiels à la machine, ainsi que des informations utiles sur l'utilisation et l'entretien. Veiller à lire toutes ces informations avec attention pour éviter les blessures et les dommages à la machine.

**REMARQUE :** Des informations générales sont fournies à travers ce manuel pouvant aider l'opérateur dans l'utilisation ou l'entretien de la machine.

▲ Ce symbole signale des instructions de sécurité importantes qui doivent être respectées pour ne pas mettre en danger la sécurité des personnes. Lire et respecter toutes les instructions du manuel avant de tenter de faire fonctionner cette machine.

### AVANT D'UTILISER LA MACHINE :

**VEILLER À LIRE CETTE SECTION AVEC ATTENTION.** Lire l'ensemble des instructions d'utilisation et d'entretien de ce produit. Tout manquement à respecter ces instructions peut entraîner des blessures graves ou la mort. Utiliser la machine conformément aux instructions de sécurité fournies ici et tout au long du manuel. Quiconque utilise cette machine doit lire les instructions et être familiarisé avec les commandes.

### EMPLOI PRÉVU / EMPLOI DÉTOURNÉ PRÉVISIBLE

**IMPORTANT :** Cette machine est une faucheuse rotative tractée permettant de faucher les herbes, broussailles et arbustes jusqu'à 76 mm (3 po) de diamètre. Ses lames sont engagées et débrayées manuellement par l'utilisateur et entraînées au moyen d'une courroie par un moteur à combustion interne à essence. Elle ne doit être utilisée à aucune autre fin.

## ▲ DANGER

**RESTER À L'ÉCART DES LAMES EN ROTATION. LES LAMES EN ROTATION PEUVENT PROVOQUER DES BLESSURES OU LA MORT.**



## AVIS

**AVIS INDIQUE QUE LE MATÉRIEL PEUT ÊTRE ENDOMMAGÉ SI LES INSTRUCTIONS DE SÉCURITÉ QUI SUIVENT CE MOT-INDICATEUR NE SONT PAS RESPECTÉES.**

## IMPORTANT

**IMPORTANT SIGNALE DES INFORMATIONS UTILES CONCERNANT L'ASSEMBLAGE, L'UTILISATION OU L'ENTRETIEN DU MATÉRIEL.**

## ▲ ATTENTION

**▲ ATTENTION INDIQUE UN DANGER QUI, S'IL N'EST PAS ÉVITÉ, PEUT PROVOQUER DES BLESSURES CORPORELLES ET DES DÉGÂTS MATÉRIELS.**

## ▲ AVERTISSEMENT

**▲ AVERTISSEMENT INDIQUE UN DANGER QUI, S'IL N'EST PAS ÉVITÉ, PEUT PROVOQUER LA MORT OU DES BLESSURES CORPORELLES ET DÉGÂTS MATÉRIELS GRAVES.**

## ▲ DANGER

**▲ DANGER INDIQUE UN DANGER QUI, S'IL N'EST PAS ÉVITÉ, PROVOQUERA IMMANQUABLEMENT LA MORT OU DES BLESSURES CORPORELLES ET DES DÉGÂTS MATÉRIELS GRAVES.**

## ▲ AVERTISSEMENT

**▲ VEILLER À LIRE, À COMPRENDRE ET À RESPECTER TOUTES LES INSTRUCTIONS DE SÉCURITÉ ET D'UTILISATION FIGURANT DANS CE MANUEL AVANT DE TENTER D'INSTALLER ET DE FAIRE FONCTIONNER LA MACHINE. TOUT MANQUEMENT À OBSERVER LES INSTRUCTIONS DE SÉCURITÉ ET D'UTILISATION PEUT PROVOQUER DES BLESSURES CORPORELLES GRAVES POUR L'UTILISATEUR ET D'AUTRES PERSONNES PRÉSENTES ET DES DÉGÂTS MATÉRIELS. LE TRIANGLE DANS LE TEXTE INDIQUE DES MISES EN GARDE ET AVERTISSEMENTS IMPORTANTS QUI DOIVENT ÊTRE SUIVIS.**

## CONSIGNES GÉNÉRALES DE SÉCURITÉ

- Lire, comprendre et respecter toutes les instructions figurant sur la machine et dans le(s) manuel(s). Veiller à bien se familiariser avec les commandes et la bonne utilisation de la faucheuse avant de la démarrer. Savoir comment débrayer rapidement les commandes et arrêter la machine.
- Veiller à se familiariser avec tous les autocollants de sécurité et d'exploitation apposés sur ce matériel et sur tous ses outils ou accessoires.
- Ne pas placer les mains ni les pieds sous ou à proximité d'une pièce en rotation.
- Permettre l'utilisation de la faucheuse uniquement à des personnes responsables familiarisées avec les instructions.
- Examiner avec soin la zone où la machine doit être utilisée et éliminer tous les objets étrangers. Ce matériel peut projeter violemment de petits objets et provoquer des dégâts matériels ou des blessures graves. Rester à l'écart des objets fragiles tels que les fenêtres de maison, automobiles, serres, etc.
- Tenir toutes les personnes présentes à l'écart de la zone de travail, en particulier les jeunes enfants et les animaux.
- Porter une tenue adaptée, notamment un blouson ou une chemise à manches longues. Porter également un pantalon long. Ne pas porter de pantalon court.
- Ne pas porter de vêtements flottants ni de bijoux. Ils peuvent être happés par les pièces en mouvement.
- Toujours porter des lunettes à coques ou des lunettes de sécurité à écrans latéraux durant l'utilisation de la faucheuse pour protéger les yeux des objets étrangers susceptibles d'être projetés par la machine.
- Toujours porter des gants de travail et des chaussures robustes. Porter des chaussures offrant une bonne adhérence sur les surfaces glissantes. Les chaussures de chantier ou bottines en cuir conviennent généralement bien. Elles protègent les chevilles et les tibias de l'utilisateur contre les petits bouts de bois, échardes et autres débris.
- Il est conseillé de porter une protection de la tête contre les projections de matières et les branches basses et autres objets auxquels on n'aurait pas prêté attention.
- Ne pas utiliser la faucheuse si tous les carters de protection et autres dispositifs de sécurité ne sont pas en place.
- Utiliser ce matériel exclusivement aux fins prévues.
- Voir les instructions du fabricant concernant l'utilisation et la pose d'accessoires. Utiliser exclusivement des accessoires homologués par le fabricant.
- Travailler uniquement durant la journée ou sous une bonne lumière artificielle.
- Ne pas utiliser ce produit alors qu'on est fatigué ou sous l'emprise de l'alcool, de drogues ou de médicaments susceptibles de provoquer une somnolence ou d'altérer la capacité à utiliser la machine en toute sécurité.
- Ne jamais utiliser la faucheuse dans de l'herbe mouillée. Toujours s'assurer de la bonne adhérence du véhicule de remorquage; maintenir une avance régulière et ne pas dépasser la vitesse maximum recommandée dans ce manuel.
- Interrompre la rotation de la tête de coupe et des lames pour traverser des allées, chemins ou routes en gravier. Attendre l'arrêt complet des lames de coupe avant de traverser.
- Prendre garde à la circulation lors de travaux à proximité d'une chaussée ou en traversant une rue.
- Couper le moteur avant de s'éloigner de la machine, de la nettoyer, la réparer ou la contrôler; s'assurer de l'arrêt complet de la faucheuse et de toutes les pièces en mouvement. Laisser le moteur refroidir, débrancher le câble de la bougie, l'éloigner de la bougie et retirer la clé de contact.
- Si la machine commence à vibrer anormalement, arrêter le moteur, débrancher le câble de bougie, l'empêcher de toucher la bougie et retirer la clé de contact. Rechercher immédiatement la cause. Les vibrations sont habituellement l'indication d'un problème plus important.
- Après avoir heurté un objet étranger, arrêter le moteur. Débrancher le câble de la bougie et retirer la clé de contact. Contrôler l'état de la faucheuse. En cas de dommages, réparer avant de démarrer et d'utiliser la faucheuse.
- Ne jamais laisser la faucheuse sans surveillance avec le moteur en marche.
- Inspecter régulièrement la faucheuse. Vérifier qu'aucune pièce n'est déformée, endommagée ni desserrée.
- La température du silencieux et des surfaces avoisinantes peut dépasser 65 °C (150 °F). Laisser le silencieux et les surfaces avoisinantes refroidir avant de les toucher.
- Ne jamais soulever ni porter la machine avec le moteur en marche.
- Ne jamais utiliser la faucheuse ni laisser le moteur en marche si la faucheuse n'est pas attelée à un véhicule de traction adapté.
- L'exposition prolongée au bruit et aux vibrations produits par du matériel à moteur à essence doit être évitée. Faire des pauses intermittentes et/ou porter une protection auditive contre le bruit du moteur.
- Consulter la réglementation en vigueur concernant les restrictions d'âge pour l'utilisation de cette machine.
- Si le bruit ou les vibrations de la machine augmentent, l'arrêter immédiatement et la contrôler.



- Le carburant utilisé dans cette machine est considéré extrêmement inflammable et doit être manipulé avec précaution. Veiller à bien entreposer la réserve de carburant dans un bidon approprié et à l'écart de tout risque d'incendie.
- Ne jamais tenter d'effectuer des réglages avec le moteur en marche (sauf si cela est spécifiquement recommandé par le fabricant).
- Les lames de la faucheuse ne doivent pas tourner lorsque le moteur est en marche et que le levier de commande des lames est débrayé. Si les lames de coupe tournent alors que le levier de commande des lames est débrayé, communiquer avec le service après-vente Earthquake pour obtenir des instructions.
- Attention - La tête de coupe et les lames continuent à tourner pendant un court moment après le débrayage du levier de commande des lames. Si la tête de coupe et les lames n'ont pas cessé de tourner après 1 minute, communiquer avec le service après-vente Earthquake pour obtenir des instructions.

### **AVANT D'UTILISER LA MACHINE :**

- Les pentes sont un important facteur de risque de glissement et de chute ou de renversement pouvant entraîner des blessures graves. Toutes les pentes exigent des précautions supplémentaires. Ne pas faucher une pente si on manque d'assurance. Faucher dans le sens de la pente, jamais perpendiculairement à la pente. Ne pas faucher dans des pentes à plus de 20 degrés ou au maximum celle indiquée pour le véhicule tracteur si elle est inférieure. Ne pas faucher un terrain très accidenté. Pour évaluer une pente, voir le Guide de pente au dos de ce manuel. Faire preuve de beaucoup de précaution lors des changements de direction dans les pentes.
- Retirer les objets tels que les roches, branches d'arbre, poteaux de clôture, etc.
- Prendre garde aux trous, aux ornières et aux bosses. Les herbes hautes peuvent masquer des obstacles ou autres objets.

### **REMARQUES IMPORTANTES :**

***Ne pas faucher à proximité de forts dénivelés, fossés ou remblais. Le véhicule tracteur pourrait perdre de l'adhérence ou l'équilibre.***

***Ne pas faucher des pentes très raides.***

***Ne pas faucher dans de l'herbe mouillée. Une réduction d'adhérence peut entraîner un glissement ou un renversement. Les tas d'herbe humide peuvent également provoquer un incendie par combustion spontanée.***

***Ne pas faucher dans des conditions extrêmement sèches ou durant une sécheresse. Les étincelles produites par la machine peuvent enflammer l'herbe et les feuilles.***

### **ENFANTS :**

Des accidents graves sont possibles si l'utilisateur n'est pas conscient de la présence d'enfants. Les enfants sont souvent attirés par la faucheuse et le fauchage. Ne jamais supposer que les enfants restent toujours au même endroit.

- Tenir les enfants à l'écart de la zone à faucher et sous la garde d'un adulte responsable qui n'est pas occupé à conduire la faucheuse.
- Rester alerte et arrêter la faucheuse si des enfants s'approchent.
- Avant et durant les déplacements en marche arrière, regarder derrière soi et vers le bas pour vérifier qu'il n'y a pas de petits enfants.
- Ne jamais laisser d'enfant utiliser la faucheuse ni être passager sur le véhicule de remorquage.
- Faire preuve de beaucoup de prudence lors de l'approche de virages sans visibilité, d'arbustes, d'arbres ou autres objets susceptibles de bloquer la vue.

### **ENTRETIEN :**

- Faire preuve d'extrême prudence lors de la manipulation de l'essence et de tout autre carburant. Ils sont inflammables et les vapeurs sont explosives.
- Faire le plein du réservoir de carburant à l'extérieur avec beaucoup de précaution. Ne jamais remplir le réservoir de carburant à l'intérieur ou près d'appareils à veilleuse, réchauffeurs et autres sources d'inflammation. Bien refermer le bouchon de carburant. En cas de déversement accidentel, ne pas démarrer le moteur mais éloigner le produit et le bidon de carburant. Nettoyer le carburant déversé et laisser évaporer.
- Si le réservoir doit être vidangé, le faire à l'extérieur. Le carburant vidangé doit être conservé dans un bidon spécifiquement conçu pour le carburant ou il doit être éliminé avec précaution conformément à la réglementation en vigueur.
- Les moteurs dégagent du monoxyde de carbone, un gaz toxique inodore et incolore. Respirer du monoxyde de carbone peut causer des nausées, un évanouissement ou la mort. Toujours démarrer et faire tourner le moteur à l'extérieur. Ne pas démarrer ni faire tourner le moteur dans un espace fermé, même avec des portes ou des fenêtres ouvertes.
- Ne jamais effectuer des réglages ou des réparations avec le moteur en marche. Débrancher le câble de bougie et le tenir à l'écart de la bougie pour éviter tout démarrage accidentel. Toujours porter une protection oculaire pour effectuer des réglages ou des réparations.
- Contrôler fréquemment le serrage de la visserie de fixation de la tête de fauchage et du moteur.
- Maintenir tous les écrous et vis bien serrés et le matériel en bon état. Contrôler la visserie de fixation de la faucheuse avant chaque utilisation.

- Ne jamais altérer les dispositifs de sécurité. Vérifier régulièrement leur bon fonctionnement.
- Lors de l'entretien ou des réparations, ne pas basculer ni retourner la faucheuse sauf sur instruction spécifique dans ce manuel. Les procédures d'entretien et de réparation peuvent se faire avec la faucheuse en position verticale. Certaines procédures sont plus faciles à effectuer si la machine est sur une plateforme surélevée ou un plan de travail.
- Pour réduire le risque d'incendie, éviter toute accumulation d'herbes, de feuilles et autres débris sur la faucheuse. Nettoyer les déversements d'huile ou de carburant. Laisser la faucheuse refroidir avant de l'entreposer.
- Arrêter et contrôler le matériel après avoir heurté un objet. Réparer, le cas échéant, avant de redémarrer.
- Toujours débrancher le câble de la bougie et retirer la clé de contact avant de nettoyer, réparer ou régler la machine.
- Ne pas modifier le réglage du régulateur de moteur ni faire tourner le moteur en surrégime.
- Nettoyer et remplacer les autocollants de sécurité et d'instruction comme il se doit.
- Pour protéger le moteur contre la surchauffe, s'assurer que la grille à débris du moteur est toujours en place et propre.
- Contrôler les ailettes de refroidissement du moteur.
- Contrôler la faucheuse avant de l'entreposer. Lorsqu'elle n'est pas utilisée, débrancher le câble de bougie, retirer la clé de contact et entreposer la machine à l'intérieur dans un endroit sec verrouillé ou autrement inaccessible aux enfants.
- Utiliser uniquement du matériel d'origine ou des pièces de rechange autorisées.
- Toujours respecter les instructions du fabricant concernant l'utilisation du véhicule de remorquage.
- Toujours éliminer les débris accumulés sur la faucheuse avant de l'entreposer. Si une accumulation est constatée pendant l'utilisation, arrêter immédiatement et enlever les débris en respectant les mesures de précaution figurant dans ce manuel.

## MESURES DE PRÉCAUTIONS CONCERNANT LE MOTEUR

***Si le produit est fourni avec un manuel séparé pour le moteur, veiller à bien le lire et à suivre toutes les mises en garde et mesures de précaution qu'il contient, en plus de celles de ce manuel.***

## POUR ÉVITER L'INTOXICATION AU MONOXYDE DE CARBONE

- Toujours démarrer et faire tourner le moteur à l'extérieur. Ne pas démarrer ni faire tourner le moteur dans un espace fermé, même avec des portes ou des fenêtres ouvertes.
- Ne jamais essayer de ventiler l'échappement du moteur à l'intérieur. Le monoxyde de carbone peut atteindre des niveaux dangereux très rapidement.
- Ne jamais faire fonctionner le moteur à l'extérieur à un endroit où les gaz d'échappement peuvent être aspirés dans un bâtiment.
- Ne jamais faire fonctionner le moteur à l'extérieur dans un endroit mal aéré où les gaz d'échappement peuvent être piégés et difficiles à dissiper (exemples : fond de fouille ou aires de travail entourées de collines).
- Ne jamais faire fonctionner le moteur dans un endroit fermé ou partiellement fermé (exemples : bâtiments fermés sur un ou plusieurs côtés, sous une tente, abri à voiture ou sous-sol).
- Ne jamais diriger le silencieux d'échappement vers des personnes. Les personnes présentes doivent toujours se tenir à plusieurs mètres de distance du moteur en marche et de ses accessoires.
- Ne pas modifier les réglages du régulateur de moteur ni faire tourner le moteur en surrégime.

## **MANIPULATION SÉCURITAIRE DU CARBURANT**

- Faire preuve d'extrême prudence lors de la manipulation de l'essence et de tout autre carburant. Ils sont extrêmement inflammables et leurs vapeurs sont explosives.
- Éteindre les cigarettes, cigares, pipes et autres sources d'inflammation.
- Ne jamais ouvrir le bouchon d'essence ni ajouter du carburant avec le moteur en marche. Laisser le moteur refroidir avant de refaire le plein.
- Ne jamais entreposer la machine ou un récipient de carburant en présence de flammes nues, étincelles ou veilleuses, telles que dans un chauffe-eau ou autre appareil domestique.
- Ne jamais remplir les récipients à l'intérieur d'un véhicule ou sur un plateau de camion ou de remorque à doublure en plastique. Toujours placer les récipients sur le sol à l'écart du véhicule avant de les remplir.
- Décharger la machine à essence du camion ou de la remorque et refaire le plein sur le sol. Si cela n'est pas possible, refaire le plein de ce matériel avec un bidon portable plutôt qu'avec un pistolet de pompe à essence.
- Maintenir le pistolet au contact du rebord de l'ouverture du réservoir ou du récipient en permanence jusqu'à ce que le plein soit terminé. Ne pas utiliser de mécanisme de maintien d'ouverture du pistolet.
- Si du carburant est déversé sur les vêtements, changer les vêtements immédiatement.
- Ne jamais trop remplir le réservoir de carburant. Remettre le bouchon d'essence en place et le serrer.
- Si du carburant est déversé, ne pas tenter de démarrer le moteur mais éloigner la machine de la zone du déversement et éviter de créer une quelconque source d'inflammation avant que les vapeurs de carburant se soient dissipées.
- Empêcher tout incendie ou explosion sous l'effet d'une décharge d'électricité statique.
- Utiliser exclusivement des bidons à carburant portables non métalliques homologués par Underwriter's Laboratory (U.L.) ou par l'American Society for Testing & Materials (ASTM).
- Toujours faire le plein du réservoir de carburant à l'extérieur, dans un endroit bien aéré. Ne jamais faire le plein de carburant à l'intérieur (exemples : sous-sol, garage, grange, remise, maison, galerie, etc.).
- Vérifier que le bouchon du réservoir est correctement en place avant de démarrer le moteur.
- Toujours faire fonctionner le moteur avec le bouchon du réservoir correctement fermé.

## AUTOCOLLANTS DE SÉCURITÉ ET MISES EN GARDE

Les symboles de sécurité et de danger figurant sur la machine et dans le manuel sont illustrés ci-dessous. Avant d'utiliser la machine, veiller à apprendre et à comprendre la signification de chaque symbole.



### SYMBOLES DE SÉCURITÉ ET SIGNIFICATIONS

- a : Avertissement!
- b : Lire le manuel de l'utilisateur avant d'utiliser la machine
- c : Tenir les mains à l'écart, risque de blessure par contact
- d : Tenir les pieds à l'écart, risque de blessure par contact
- e : Aller dans le sens de la pente, par perpendiculairement
- f : Enlever les objets susceptibles d'être projetés par la lame

Si l'une quelconque des étiquettes de sécurité devient illisible en raison de son usure, sa décoloration ou autre dommage subi pendant l'utilisation de la faucheuse, utiliser le numéro de référence indiqué pour commander une étiquette de rechange.



Numéro de référence : 21433  
Autocollant Danger Lames rotatives



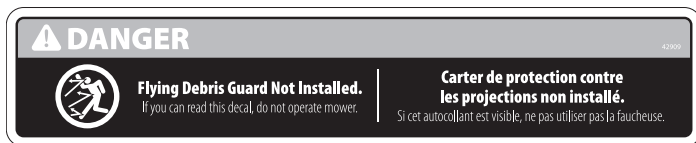
Numéro de référence : 21429  
Autocollant Danger Tenir les mains et les pieds à l'écart



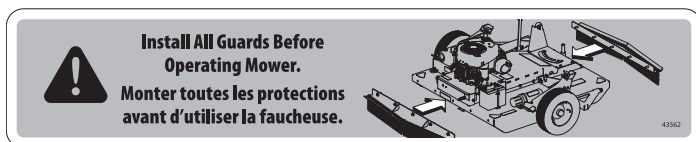
Numéro de référence : 21432  
Autocollant Attention Ne pas dépasser 8 kph (5 mph)



Numéro de référence : 21430  
Autocollant Avertissements concernant la faucheuse



Numéro de référence : 42909  
Autocollant Danger Carter de protection  
contre les projections non installé



Numéro de référence : 43562  
Autocollant Monter toutes les protections  
avant d'utiliser la faucheuse.

## CARACTÉRISTIQUES

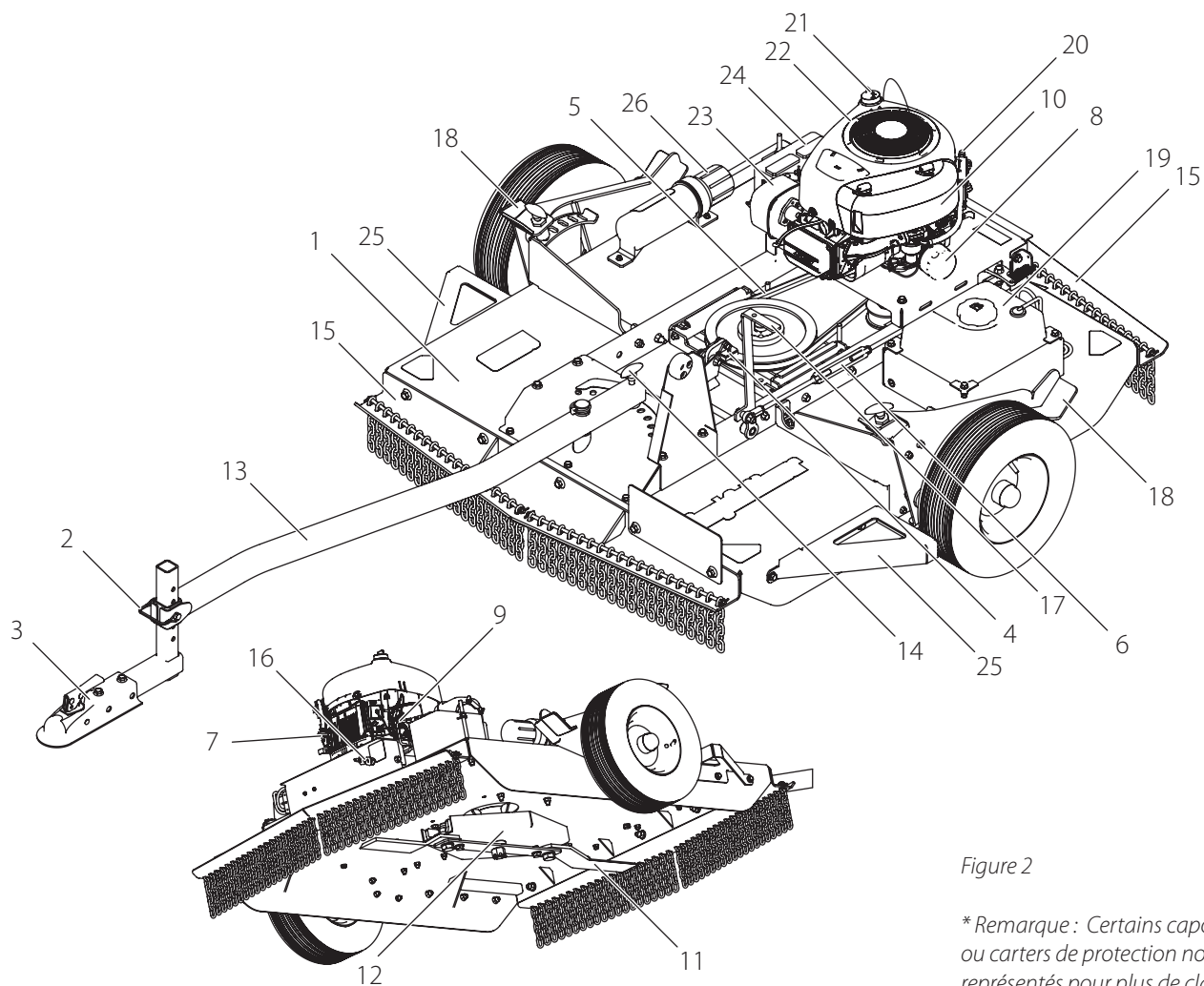


Figure 2

\* Remarque : Certains capots ou carters de protection non représentés pour plus de clarté.

### CARACTÉRISTIQUE

### EMPLACEMENT

Tête d'attelage à rotule réglable . . . . .	3
Élément de filtre à air (sous le capot) . . . . .	10
Batterie. . . . .	24
Levier de commande des lames . . . . .	17
Tendeur de réglage de la courroie des lames . . . . .	6
Lames de coupe à rupture . . . . .	11
Commande du volet de départ . . . . .	7
Tête de coupe . . . . .	12
Frein de tête de coupe . . . . .	4
Courroie d'entraînement de la tête de coupe . . . . .	5
Rideaux antiprojection (avant et arrière) . . . . .	15
Moteur à essence refroidi par air à démarrage électrique. . . . .	22
Vidange de l'huile moteur . . . . .	9

### CARACTÉRISTIQUE

### EMPLACEMENT

Silencieux d'échappement. . . . .	23
Pompe à carburant . . . . .	20
Réservoir de carburant (6,5 l / 1,72 gal) . . . . .	19
Goupille de réglage de hauteur de l'attelage . . . . .	2
Contact de démarrage à clé . . . . .	16
Carter de faucheuse. . . . .	1
Orifice de remplissage d'huile . . . . .	21
Filtre à huile. . . . .	8
Boîte de rangement. . . . .	26
Goupille de blocage de la flèche . . . . .	14
Flèche réglable sans outil (9 positions de remorquage) . . . . .	13
Réglages de roue à crans sans outil (5 positions) . . . . .	18
Pare-broussailles de roue . . . . .	25

## ⚠ AVERTISSEMENT

**UTILISER L'ÉQUIPEMENT DE PROTECTION INDIVIDUELLE QUI CONVIENT. PORTER DES LUNETTES DE SÉCURITÉ OU UN MASQUE FACIAL DURANT L'ASSEMBLAGE ET L'UTILISATION DE LA FAUCHEUSE.**

**PRENDRE GARDE AUX ARÊTES COUPANTES. LES LAMES DE COUPE PEUVENT TOURNER LORSQUE LA MACHINE EST MANŒVRÉE. PORTER DES GANTS POUR MANIPULER LE CARTER ET LES LAMES DE COUPE DE LA FAUCHEUSE.**

**DÉBRANCHER LE CÂBLE DE LA BOUGIE ET RETIRER LA CLÉ DE CONTACT AVANT DE PROCÉDER À TOUT ASSEMBLAGE OU ENTRETIEN DE LA FAUCHEUSE.**

**LE LEVAGE NÉCESSITE PLUSIEURS PERSONNES OU UN MOYEN MÉCANIQUE. LA FAUCHEUSE RC4432 PÈSE 306 KG (675 LB). NE PAS TENTER DE LA SOULEVER SEUL.**

## ASSEMBLAGE

### OUTILLAGE NÉCESSAIRE

- Clés
- Manomètre pour pneus
- Pince coupante ou ciseaux industriels
- Lunettes et gants de sécurité
- Véhicule de remorquage

### SORTIR LA FAUCHEUSE DE LA CAISSE D'EXPÉDITION

1. Sortir tous les matériaux d'emballage et pièces en vrac de la caisse.
2. Sortir les rideaux antiprojection et la flèche d'attelage de la caisse.
3. Retirer les sachets de pièces de la boîte de rangement.
4. Retirer les vis et écrous des montants et des traverses qui attachent le cadre supérieur au cadre inférieur de la caisse. À deux personnes, soulever le cadre supérieur et le mettre de côté.
5. Retirer les écrous, les vis et les languettes qui attachent le carter de fauchonneuse au cadre inférieur de la caisse.
6. À l'aide des vis et des écrous M12 fournis (quantité 10), monter les rideaux antiprojection avant et arrière et le déflecteur sur le carter de la fauchonneuse. Serrer à un couple de 95 Nm (70 pi-lb).

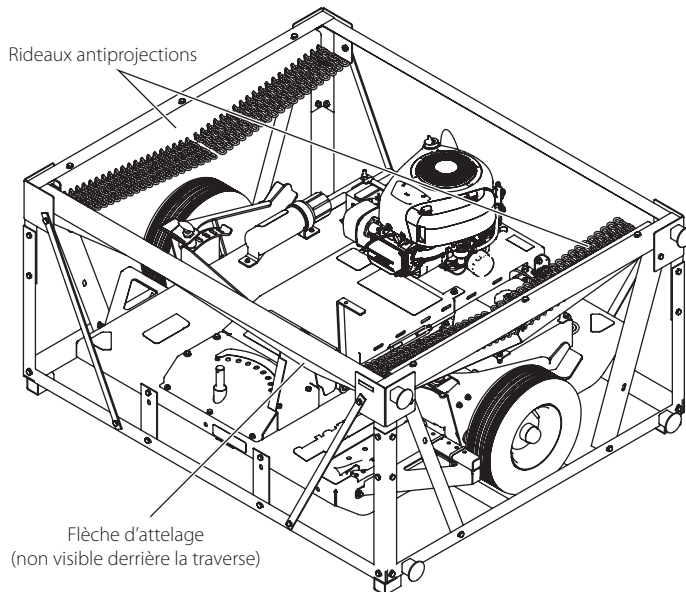


Figure 3

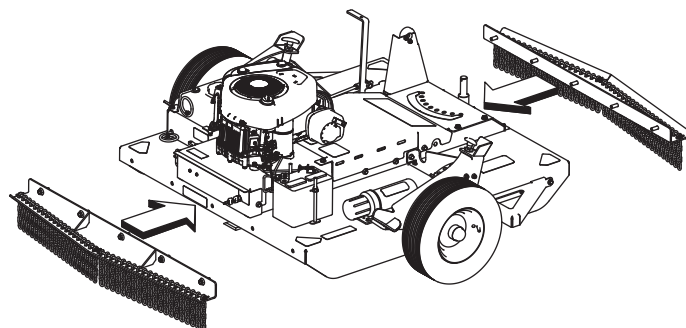


Figure 4

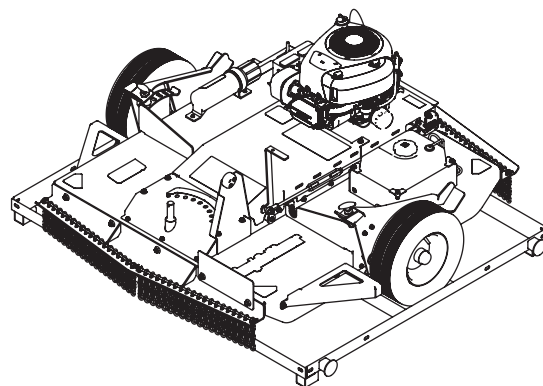


Figure 5

**DANGER : Ne pas utiliser sans les rideaux antiprojection avant et arrière en place. L'utilisation sans rideaux antiprojection peut provoquer des blessures graves ou la mort. Pour tout besoin d'assistance, de questions ou de pièces manquantes, s'adresser au service après-vente Earthquake avant de continuer.**

7. Assembler et monter la tête et la flèche d'attelage sur la machine. Utiliser la goupille de blocage pour immobiliser langue d'attelage en position centrale.
8. Relever le carter de coupe jusqu'à sa position la plus haute (voir le réglage de la hauteur de coupe à la page 13) pour le dégager de la caisse. La faucheuse peut alors être roulée ou tirée lentement hors de la caisse d'expédition.
9. Retirer tout matériau d'emballage restant et inspecter la faucheuse.

## PRÉPARATION DU MOTEUR

Voir le type d'essence et d'huile à utiliser dans les instructions du fabricant du moteur. Avant d'utiliser la machine, lire les informations sur la sécurité, l'utilisation, l'entretien et l'entreposage.

### AVERTISSEMENT

**▲ UTILISER L'ÉQUIPEMENT DE PROTECTION INDIVIDUELLE QUI CONVIENT. L'ESSENCE ET L'HUILE MOTEUR SONT DANGEREUSES POUR LA SANTÉ.**

**TOUJOURS UTILISER UN RÉCIPIENT DE SÉCURITÉ HOMOLOGUÉ POUR L'ESSENCE.**

**NE PAS FUMER LORSQU'ON FAIT LE PLEIN D'ESSENCE DE LA MACHINE.**

**NE PAS FAIRE LE PLEIN D'ESSENCE À L'INTÉRIEUR D'UN ESPACE FERMÉ. TOUJOURS SE PLACER À L'EXTÉRIEUR, À UN ENDROIT OÙ LES VAPEURS DE CARBURANT NE PEUVENT PAS S'ACCUMULER.**

**LE MOTEUR ET LE SILENCIEUX PEUVENT ÊTRE TRÈS CHAUDS ET PROVOQUER DES BRÛLURES. AVANT DE FAIRE LE PLEIN D'ESSENCE, ARRÊTER LE MOTEUR. LAISSER LE MOTEUR REFROIDIR PENDANT PLUSIEURS MINUTES.**

## REEMPLIR LE CARTER D'HUILE

Voir les instructions de remplissage d'huile dans le manuel du moteur.

### ATTENTION

**▲ LE MOTEUR NE CONTIENT PAS D'HUILE NI D'ESSENCE LORSQU'IL EST EXPÉDIÉ DE L'USINE. UN ENTRETIEN DU MOTEUR EST NÉCESSAIRE AVANT UTILISATION.**

**RESPECTER LES INSTRUCTIONS DU FABRICANT DU MOTEUR CONCERNANT LE TYPE D'ESSENCE ET D'HUILE À UTILISER.**

## REEMPLIR LE RÉSERVOIR DE CARBURANT

Voir le type d'essence à utiliser dans les instructions du fabricant du moteur.

## PRÉPARATION DE LA BATTERIE

La faucheuse tractée est fournie avec une batterie au plomb 12 V sans entretien. Correctement entretenue et chargée, la batterie offrira des années de service fiable.



## ⚠ AVERTISSEMENT

▲ UTILISER L'ÉQUIPEMENT DE PROTECTION INDIVIDUELLE QUI CONVIENT. LA BATTERIE CONTIENT DE L'ACIDE SULFURIQUE ET EST CORROSIVE. PORTER DES GANTS ET DES LUNETTES DE SÉCURITÉ POUR EFFECTUER L'ENTRETIEN DE LA BATTERIE.

NE PAS LAISSER TOMBER LA BATTERIE. LA BATTERIE EST LOURDE ET PEUT PROVOQUER DES DÉGÂTS MATÉRIELS OU DES BLESSURES CORPORELLES EN CAS DE CHUTE.

UTILISER LE CHARGEUR CORRECT ET TOUJOURS CONTRÔLER L'ÉTAT GÉNÉRAL ET L'USURE DE LA BATTERIE ET DES COSSES. CHANGER TOUS LES ARTICLES ENDOMMAGÉS OU USÉS.

NE PAS SOULEVER NI PORTER LA BATTERIE PAR SES COSSES OU SES CÂBLES. NE PAS COURT-CIRCUITER LES COSSES DE BATTERIE. CELA PEUT ENDOMMAGER LA BATTERIE OU PROVOQUER UN INCENDIE, DES BLESSURES GRAVES, VOIRE LA MORT.

## ⚠ AVERTISSEMENT

▲ VEILLER À BIEN LIRE ET COMPRENDRE LE MANUEL DE L'UTILISATEUR AVANT DE TENTER DE FAIRE FONCTIONNER CETTE MACHINE. VEILLER À SAVOIR COMMENT ARRÊTER RAPIDEMENT LA FAUCHEUSE ET LE VÉHICULE DE REMORQUAGE AVANT DE TENTER DE FAIRE FONCTIONNER CETTE MACHINE.

FAIRE PREUVE DE PRÉCAUTION À PROXIMITÉ DES PIÈCES EN MOUVEMENT. LA TÊTE DE FAUCHAGE CONTINUE DE TOURNER PENDANT PLUSIEURS SECONDES APRÈS L'ARRÊT DU MOTEUR.

NE PAS TENTER DE LANCER OU DE DÉMARRER LE MOTEUR AVANT DE L'AVOIR PRÉPARÉ COMME IL SE DOIT AVEC L'HUILE RECOMMANDÉE, SOUS PEINE DE DÉFAILLANCE DU MOTEUR.

NE PAS MODIFIER, RETIRER, COUPER, DÉFORMER NI SOUDER LES PIÈCES DE LA FAUCHEUSE OU LES CARTERS DE PROTECTION. LA MODIFICATION DE LA MACHINE INVALIDE LA GARANTIE ET PEUT PROVOQUER DES DÉGÂTS MATÉRIELS, DES BLESSURES GRAVES OU LA MORT.

VEILLER À TOUJOURS ÊTRE CONSCIENT DE LA POSITION DE LA FAUCHEUSE. LA FAUCHEUSE PEUT ÊTRE TRACTÉE EN POSITION DÉCALÉE ET N'EST PAS TOUJOURS DIRECTEMENT DERRIÈRE LE VÉHICULE DE REMORQUAGE.

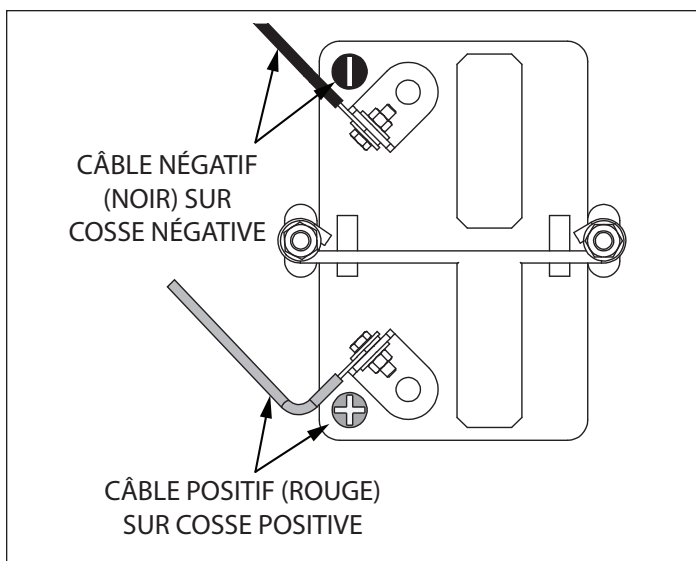


Figure 6

1. La faucheuse tractée est livrée avec la cosse négative de la batterie débranchée. Cela empêche la batterie de se décharger durant le transport. S'il y a lieu, raccorder la cosse et charger la batterie.

## PRÉPARATION DES ROUES

Utiliser un manomètre adapté pour vérifier la pression de gonflage des pneus. Gonfler les pneus à un maximum de 28 psi.

## UTILISATION

### COMMENT DÉMARRER LE MOTEUR

1. S'assurer que la batterie est branchée et mise à la masse. Voir Figure 6
2. S'assurer que le levier de commande des lames est en position DÉBRAYÉE. Voir Figure 7
3. Lire les instructions de démarrage dans le manuel du moteur
4. Tirer la commande du volet de départ sur le moteur. Si le moteur est déjà chaud, le volet de départ peut ne pas être nécessaire.
5. Mettre l'interrupteur à clé en position RUN (marche) au centre puis en position START (démarrage) pendant un maximum de 5 secondes. Répéter un maximum de 3 fois jusqu'à ce que le moteur démarre (si le moteur ne démarre pas au bout de 3 tentatives, consulter le Guide de dépannage). Lorsque le moteur démarre, laisser la clé revenir en position RUN (marche).
6. Renfoncer la commande de volet de départ une fois que le moteur a démarré.

## AVERTISSEMENT

**▲ SI LA FAUCHEUSE PRODUIT DES BRUITS OU VIBRATIONS INHABITUELS DURANT LA MARCHÉ, COUPER LE MOTEUR DU VÉHICULE DE REMORQUAGE PUIS COUPER LE MOTEUR DE LA FAUCHEUSE. LAISSER LES PIÈCES DU MOTEUR ET DE LA FAUCHEUSE REFROIDIR. DÉBRANCHER LA BOUGIE ET RETIRER LA CLÉ DE CONTACT AVANT DE CONTRÔLER LA FAUCHEUSE.**

**VÉRIFIER QU'IL N'Y A PAS DE VISSERIE DESSERRÉE, USÉE, ENDOMMAGÉE OU MANQUANTE SUR LA FAUCHEUSE. RÉPARER OU CHANGER TOUTES LES PIÈCES ENDOMMAGÉES AVANT D'UTILISER LA FAUCHEUSE. TOUJOURS UTILISER DE LA VISSERIE ET DES PIÈCES DE RECHANGE HOMOLOGUÉES.**

**DÉGAGER TOUTES LES OBSTRUCTIONS DU CARTER DE FAUCHEUSE, DU FILTRE À AIR ET DU SILENCIEUX D'ÉCHAPPEMENT.**

**LES LAMES DE FAUCHAGE SONT COUPANTES. VEILLER À LES ENVELOPPER OU À UTILISER DES GANTS DURANT LEUR ENTRETIEN.**

**NE PAS PERMETTRE À DES PERSONNES OU DES ANIMAUX DE SE METTRE SUR LA FAUCHEUSE DURANT LA MARCHÉ OU À L'ARRÊT.**

**DÉBRAYER LES LAMES DE FAUCHAGE ET FAIRE PREUVE DE TRÈS GRANDE PRUDENCE POUR TRAVERSER DES ALLÉES DE GARAGE, TROTTOIRS OU CHAUSSÉES. PRENDRE GARDE À LA CIRCULATION ET AUX DANGERS CACHÉS SUR LA ROUTE.**

**NE JAMAIS LAISSER LE VÉHICULE DE REMORQUAGE OU LA FAUCHEUSE EN MARCHÉ SANS SURVEILLANCE. VEILLER À METTRE LE VÉHICULE DE REMORQUAGE À L'ARRÊT CONFORMÉMENT AUX INSTRUCTIONS DU CONSTRUCTEUR. SERRER LE FREIN DE STATIONNEMENT ET RETIRER LA CLÉ. DÉBRAYER LES LAMES DE FAUCHAGE, METTRE LE MOTEUR DE LA FAUCHEUSE À L'ARRÊT ET RETIRER LA CLÉ.**

**COUPER LE MOTEUR AVANT DE RÉGLER LA HAUTEUR DU CARTER. TENIR LES MAINS ET LES PIEDS À L'ÉCART DU DESSOUS DU CARTER. S'ASSURER QUE LES LAMES SONT À L'ARRÊT COMPLET. LA FAUCHEUSE EST LOURDE ET PEUT PROVOQUER DES BLESSURES.**

**NE PAS PLACER LES MAINS OU LES PIEDS SOUS LE CARTER DE FAUCHEUSE LORSQUE LE MOTEUR EST EN MARCHÉ OU QUE LES LAMES TOURNENT.**

**TOUT MANQUEMENT À RESPECTER CES MISES EN GARDE PEUT ENTRAÎNER DES BLESSURES GRAVES OU LA MORT.**

## COMMENT ARRÊTER LA FAUCHEUSE

1. S'assurer que le levier de commande des lames est en position DÉBRAYÉE.
2. Mettre la clé en position STOP (arrêt). Pour plus de sécurité, toujours retirer la clé.

## EMBRAYER ET DÉBRAYER LES LAMES DE COUPE

1. Pour embrayer les lames de coupe, tirer le levier de commande des lames vers l'avant de la faucheuse. Le levier doit rester de lui-même en position avant ou arrière.
2. Pour débrayer les lames de coupe, pousser le levier de commande des lames vers l'arrière de la faucheuse ou tirer sur le cordon attaché au levier de commande des lames. Le levier doit se réenclencher en position arrière ou haute.

## RÉGLAGE DE HAUTEUR DU CARTER DE FAUCHEUSE.

1. Pour régler la hauteur de coupe :
  - a. Appuyer du pied sur la pédale de réglage de hauteur du carter. Voir Figure 7
  - b. Tout en maintenant la pression du pied sur la pédale, soulever le bouton à ressort de réglage de hauteur du carter pour le dégager et permettre le mouvement de réglage de hauteur du carter.
  - c. Appliquer plus ou moins de pression du pied sur la pédale de réglage de hauteur et aligner les trous sur le dessus du mécanisme de réglage de façon à obtenir la hauteur souhaitée.
  - d. Relâcher le bouton à ressort de réglage de hauteur du carter dans le trou approprié afin de bloquer le carter de faucheuse à la hauteur choisie.
2. Répéter les étapes 1 a. à d. pour régler l'autre côté.

**REMARQUE :** S'assurer que les réglages de hauteur du carter de faucheuse sont les mêmes des deux côtés. La hauteur de coupe est comprise entre 8,9 et 19 cm (3,5 à 7,5 po).

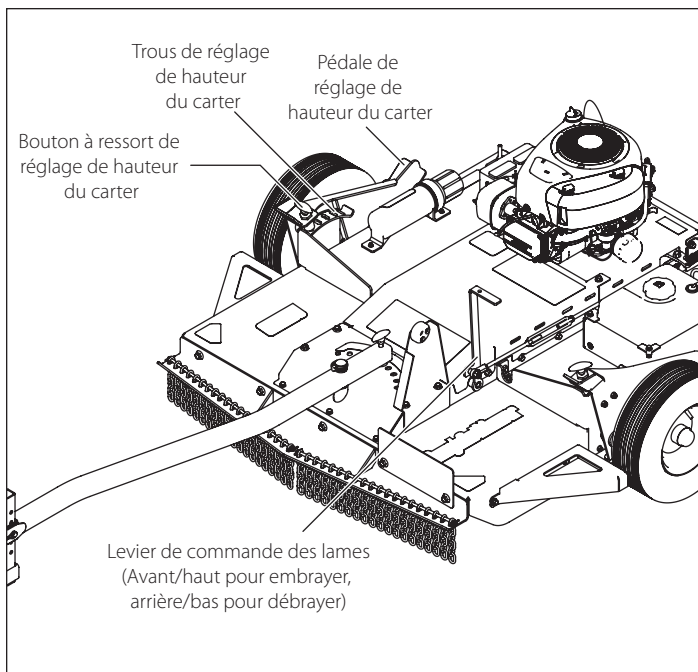


Figure 7

## RÉGLAGE DE DÉCALAGE DE LA FLÈCHE D'ATTELAGE

1. Pour décaler la flèche d'attelage :
  - a. Soulever le bouton de la goupille d'arrêt à ressort de la flèche d'attelage et le tourner de 90 degrés pour bloquer la goupille en position haute/dégagée.
  - b. Placer la flèche d'attelage au-dessus du trou de décalage latéral souhaité sur le plateau d'angle du carter. Voir Figure 9 et Table 1.
  - c. Soulever le bouton de la goupille d'arrêt à ressort de la flèche d'attelage et le tourner de 90 degrés pour bloquer la goupille en position basse/engagée. Vérifier que la goupille s'engage complètement.

**REMARQUE :** Pour assurer un remorquage optimal, le point d'attelage du véhicule de remorquage doit se trouver au-delà du bord des roues arrière.

## RÉGLAGE DE LA TÊTE D'ATTELAGE À ROTULE

1. Retirer la goupille de réglage de hauteur de l'attelage et faire coulisser la tête vers le haut ou le bas jusqu'à la hauteur souhaitée. Voir Figure 8.

**REMARQUE :** La tête d'attelage peut être retournée sur la flèche pour étendre la plage de hauteur.

2. Aligner le trou souhaité et remettre la goupille en place.

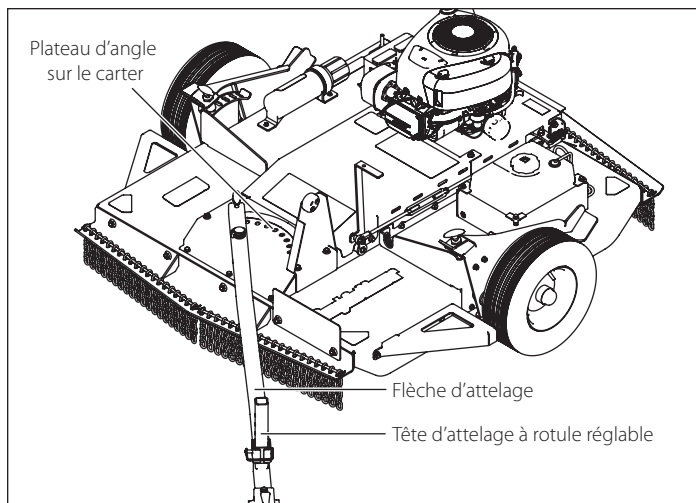


Figure 8

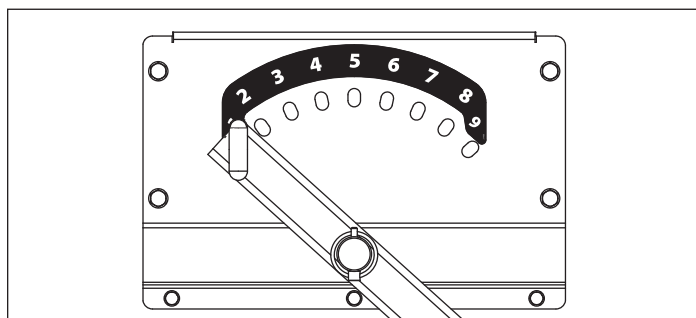


Figure 9

Table 1	Guide de décalage de la flèche
Position	Décalage, cm (po)
1	126,5 (49,8)
2	100,1 (39,4)
3	68,6 (27,0)
4	35,6 (14,0)
5	0,0 (0,0)
6	35,6 (14,0)
7	68,6 (27,0)
8	100,1 (39,4)
9	126,5 (49,8)

## **AVERTISSEMENT**

**⚠ NE PAS EFFECTUER DE RÉGLAGES SUR LA FAUCHEUSE AVEC LE MOTEUR EN MARCHÉ.**

**NE PAS LAISSER LA FAUCHEUSE SANS SURVEILLANCE AVEC LE MOTEUR OU LE VÉHICULE DE REMORQUAGE EN MARCHÉ. SERRER LE FREIN DE STATIONNEMENT DU VÉHICULE DE REMORQUAGE ET COUPER LE MOTEUR DU VÉHICULE. DÉBRAYER LES LAMES DE COUPE DE LA FAUCHEUSE ET METTRE LE MOTEUR DE LA FAUCHEUSE À L'ARRÊT. ATTENDRE L'ARRÊT COMPLET DES LAMES DE FAUCHAGE.**

**NE JAMAIS FAIRE FONCTIONNER LE MOTEUR À L'INTÉRIEUR OU DANS UN ESPACE MAL AÉRÉ. L'ÉCHAPPEMENT DU MOTEUR CONTIENT DU MONOXYDE DE CARBONE, UN GAZ INODORE ET MORTEL.**

**TENIR LES MAINS, LES PIEDS, LES CHEVEUX ET LES VÊTEMENTS AMPLES À L'ÉCART DE LA FAUCHEUSE ET DE TOUTE PIÈCE MOBILE SUR LE MOTEUR.**

**NE PAS TOUCHER LE SILENCIEUX NI LES SURFACES AVOISINANTES. LES TEMPÉRATURES PEUVENT DÉPASSER 65 °C (150 °F).**

**DES DÉBRIS TELS QUE DES BRANCHES, DU GRAVIER OU DES PIERRES PEUVENT ÊTRE PROJETÉS AVEC SUFFISAMMENT DE FORCE POUR PROVOQUER DES BLESSURES OU DES DÉGÂTS MATÉRIELS.**

**CONSULTER LE MANUEL DE L'UTILISATEUR DU VÉHICULE DE REMORQUAGE POUR DÉTERMINER SA CAPACITÉ DE REMORQUAGE DANS LES PENTES ET LES CÔTES. FAIRE PREUVE DE TRÈS GRANDE PRUDENCE LORS DE L'UTILISATION DE LA FAUCHEUSE SUR DES TERRAINS EN PENTE, ACCIDENTÉS OU HUMIDES. VEILLER À BIEN RESPECTER LES RECOMMANDATIONS POUR NE PAS RENVERSER LA FAUCHEUSE.**

**NE JAMAIS UTILISER LA FAUCHEUSE DANS DES PENTES DE PLUS DE 20 DEGRÉS.**

**POUR MAINTENIR UN MEILLEUR CONTRÔLE DANS LES PENTES, FAUCHER VERS LE HAUT ET LE BAS DANS LE SENS DE LA PENTE, JAMAIS PERPENDICULAIREMENT À LA PENTE.**

## **RÉGLAGE DE TENSION DE LA COURROIE D'ENTRAÎNEMENT**

1. Desserrer le contre-écrou sur le tendeur de la tige d'engagement.
2. Tourne le tendeur de façon à allonger ou raccourcir la tige d'engagement.

**Remarque : L'allongement de la tige réduit la tension de la courroie, le raccourcissement de la tige augmente la tension de la courroie.**

3. Une fois que la courroie a la tension souhaitée, serrer le contre-écrou sur le tendeur.

**Remarque : La courroie doit être suffisamment tendue pour ne pas patiner durant l'utilisation, mais pas trop pour ne pas résister à l'engagement des lames. Le patinage se traduit par une usure excessive de la courroie, des fragments de courroie dans la zone d'entraînement, un échauffement rapide de la courroie chaude durant l'utilisation, une baisse d'efficacité de la coupe sans qu'on réduise le régime moteur et une odeur de caoutchouc pendant l'utilisation.**

## **LAMES DE COUPE**

- Vérifier l'état des lames de coupe avant chaque utilisation.
- Les lames présentant de grosses bosses, une usure du tranchant ou d'autres dommages doivent être changées.
- Toujours changer les lames par paires pour préserver l'équilibrage de la tête de coupe.
- Les lames en bon état mais émoussées peuvent être affûtées avec une lime ou une meule.
- Démontez les lames de la faucheuse avant de les affûter.
- Affûter les lames uniformément pour maintenir l'équilibrage.
- Pour optimiser la durée de service des lames, il est préférable de ne pas les affûter le tranchant en pointe. Garder le tranchant émoussé à 1,5 mm (1/16 po).
- Remonter les lames et serrer les vis à un couple de 600 Nm (443 pi-lb).
- Changer toute la visserie endommagée.

## CONSEILS DE FAUCHAGE

- Ne jamais travailler en dehors des conditions ou limites recommandées pour le véhicule de remorquage.
- Si l'herbe est haute et dense, tracter la faucheuse à une vitesse plus lente.
- Nettoyer fréquemment le dessous de la faucheuse pour éliminer toute accumulation d'herbe. Voir les détails à la section « Maintenance, entretien et entreposage ».
- Ne pas faucher sur des pentes très raides. Ne jamais utiliser la faucheuse dans des pentes de plus de 20 degrés, quel que soit le type de véhicule de remorquage. Ne pas faucher en pente si le sol est glissant ou mouillé. Faucher vers le haut et le bas face à la pente, pas perpendiculairement.
- Ne pas conduire le véhicule de remorquage à plus de 8 km/h (5 mph) sur terrain plat ou 6,5 km/h (4 mph) sur terrain accidenté avec la faucheuse en remorque.
- Lors du fauchage de pousses en bois telles que de jeunes arbustes, laisser la faucheuse passer lentement sur ces matières. Ralentir la vitesse en fonction des conditions.
- Après une première passe de fauchage de jeunes arbustes, faucher une nouvelle fois la zone pour éliminer plus de débris. Faucher du tronc vers la couronne alors que l'arbuste est à plat sur le sol.
- Ne pas utiliser de véhicule automobile commercial ou non commercial de type voiture, camion, véhicule utilitaire sport (VUS) ou motocyclette, tels que définis par le Wisconsin Department of Motor Vehicles pour remorquer la faucheuse tractée. Avec ces véhicules, il est difficile de voir et de contrôler la faucheuse. L'utilisation de ces types de véhicule de remorquage invalide la garantie.
- Régler la hauteur de l'attelage de façon à incliner la faucheuse vers l'arrière avec l'avant relevé pour assurer un meilleur broyage des débris.

Remarque : Cela accroît la charge sur le moteur et il est conseillé de réduire la vitesse de déplacement.

- Le fauchage de l'herbe dans une position décalée par rapport aux traces de roues du véhicule de remorquage produit une coupe plus régulière car l'herbe n'est pas écrasée par le véhicule de remorquage.
- Les réglages bas du carter permettent d'obtenir de meilleurs fauchages en une seule passe dans l'herbe.
- Attacher le cordon du levier d'embrayage des lames sur le véhicule de remorquage à un endroit où il peut être facilement détaché. Tirer sur le cordon pour débrayer les lames et éviter que le moteur cale ou que les lames soient endommagées par des objets étrangers.

**Remarque : Penser à bien détacher le cordon avant de déteiler la faucheuse.**

## VÉHICULES DE REMORQUAGE RECOMMANDÉS

Earthquake® recommande un véhicule de remorquage à deux ou quatre roues motrices. Voici quelques suggestions de véhicules adaptés :

- Tracteur compact ou sous-compact
- Véhicule utilitaire
- Véhicule tout-terrain
- Tracteur de jardin/pelouse (17 HP et plus, pesant au moins 225 kg [500 lb])
- Les tondeuses autoportées à moteur de moins de 17 HP et pesant moins de 225 kg (500 lb) ne conviennent pas pour les pentes de plus de 5 degrés.

**REMARQUE : Ne pas utiliser le véhicule de remorquage en dehors des conditions et consignes d'exploitation recommandées par le constructeur. Les tracteurs de pelouse et jardin fonctionnent d'autant mieux pour le remorquage que leur carter de coupe a été enlevé.**

## MAINTENANCE, ENTRETIEN ET ENTREPOSAGE

### Changer l'huile moteur

Voir les conseils du fabricant dans le manuel du moteur.

### AVERTISSEMENT

**⚠ AVANT TOUT CONTRÔLE, NETTOYAGE OU ENTRETIEN DE LA FAUCHEUSE, ARRÊTER LE MOTEUR. S'ASSURER QUE TOUTES LES PIÈCES EN MOUVEMENT SONT À L'ARRÊT. DÉBRANCHER LE CÂBLE DE LA BOUGIE ET RETIRER LA CLÉ DE CONTACT.**

## CALENDRIER D'ENTRETIEN

**REMARQUE :** *L'entretien, le remplacement et la réparation des dispositifs et systèmes de contrôle des émissions peuvent être effectués par tout mécanicien ou atelier de réparation de moteurs hors route. Toutefois, ces éléments doivent être confiés à un concessionnaire agréé pour bénéficier d'un service de contrôle des émissions « sans frais ». Un bon entretien est essentiel pour réduire la pollution atmosphérique et assurer un fonctionnement sûr, économique et sans panne.*

Registre d'entretien	Avant chaque utilisation	Toutes les 25 heures	Voir note
Contrôler le niveau d'huile moteur	X		
Contrôler les lames de fauchage	X		
Vérifier la pression des pneus	X		
Nettoyer le moteur et la machine	X		1
Contrôler les vis et écrous	X		
Contrôler la bougie		X	2
Changer l'huile moteur		X	2
Entretien du filtre à air		X	2
Vérifier la tension de la courroie	X		

Table 2

**NOTE 1 - Nettoyer chaque jour en cas d'utilisation dans des conditions extrêmement sales ou poussiéreuses.**

**NOTE 2 - Changer plus souvent en cas d'utilisation dans des conditions extrêmement sales ou poussiéreuses. Suivre les conseils du fabricant du moteur.**

## ENTREPOSAGE

Si la faucheuse doit être entreposée pendant trente jours ou plus, suivre les instructions ci-dessous pour assurer le bon état de la faucheuse la saison suivante.

### FAUCHEUSE :

1. Entreposer la faucheuse dans un bâtiment bien aéré.
2. Nettoyer complètement la faucheuse, y compris la saleté et les débris des ailettes de refroidissement du cylindre et du carter du moteur.
3. Charger complètement la batterie. Après la charge complète, débrancher le câble négatif de la batterie et le placer à l'écart de la cosse de batterie.
4. Lorsque la machine n'est pas utilisée, débrancher le câble de bougie, retirer la clé de contact et entreposer dans un endroit bien aéré inaccessible aux enfants.

**REMARQUE : UNE MISE AU POINT OU UN CONTRÔLE ANNUEL PAR UN CONCESSIONNAIRE-RÉPARATEUR AGRÉÉ PERMET D'ASSURER UN FONCTIONNEMENT OPTIMAL DE LA FAUCHEUSE LA SAISON SUIVANTE.**

### MOTEUR :

1. Suivre les conseils du fabricant concernant l'entreposage de longue durée du moteur.

## DÉPANNAGE ET RÉPARATION

Chez Earthquake®, nous intégrons la qualité et la durabilité dans la conception de nos produits; mais toute la conception soignée et tout l'entretien attentionné ne sauraient garantir une existence totalement exempte de réparation de cette faucheuse tractée. La majorité des problèmes sont mineurs et aisément résolus en suivant les indications du guide de dépannage de cette section.

Ce guide aide à diagnostiquer les causes des problèmes les plus courants et à identifier leurs solutions.

Pour les réparations plus compliquées, il est préférable de s'adresser à un centre de réparation agréé. Une liste des pièces détachées est fournie dans un manuel séparé.

Nous sommes toujours heureux de répondre à toute question ou d'aider à trouver l'assistance nécessaire. Pour commander des pièces ou se renseigner sur la garantie, communiquer avec nous par téléphone ou par courriel en utilisant les coordonnées indiquées ci-dessous.

## AVERTISSEMENT

**▲ NE PAS VIDER L'ESSENCE À L'INTÉRIEUR D'UN BÂTIMENT, À PROXIMITÉ D'UNE FLAMME OU EN FUMANT UNE CIGARETTE. LES VAPEURS D'ESSENCE PEUVENT PROVOQUER UNE EXPLOSION OU UN INCENDIE.**

## COMMANDE DE PIÈCES DE RECHANGE

Les pièces peuvent s'obtenir dans le magasin où la faucheuse tractée a été achetée ou directement auprès de l'usine. Pour commander des pièces, visiter [www.getearthquake.com](http://www.getearthquake.com) ou appeler le 800-345-6007.

Pour les autres questions d'ordre général, envoyer un courriel à [info@getearthquake.com](mailto:info@getearthquake.com).

Veiller à inclure les informations suivantes avec la commande :

- 1) Numéro de référence des pièces
- 2) Description des pièces
- 3) Quantité
- 4) Numéro de modèle et numéro de série

## CONSEILS GÉNÉRAUX

La garantie de cette faucheuse ne couvre pas les pièces qui ont fait l'objet d'emploi abusif ou de négligence. Pour bénéficier pleinement de la garantie, la faucheuse doit être entretenue conformément aux instructions de ce manuel.

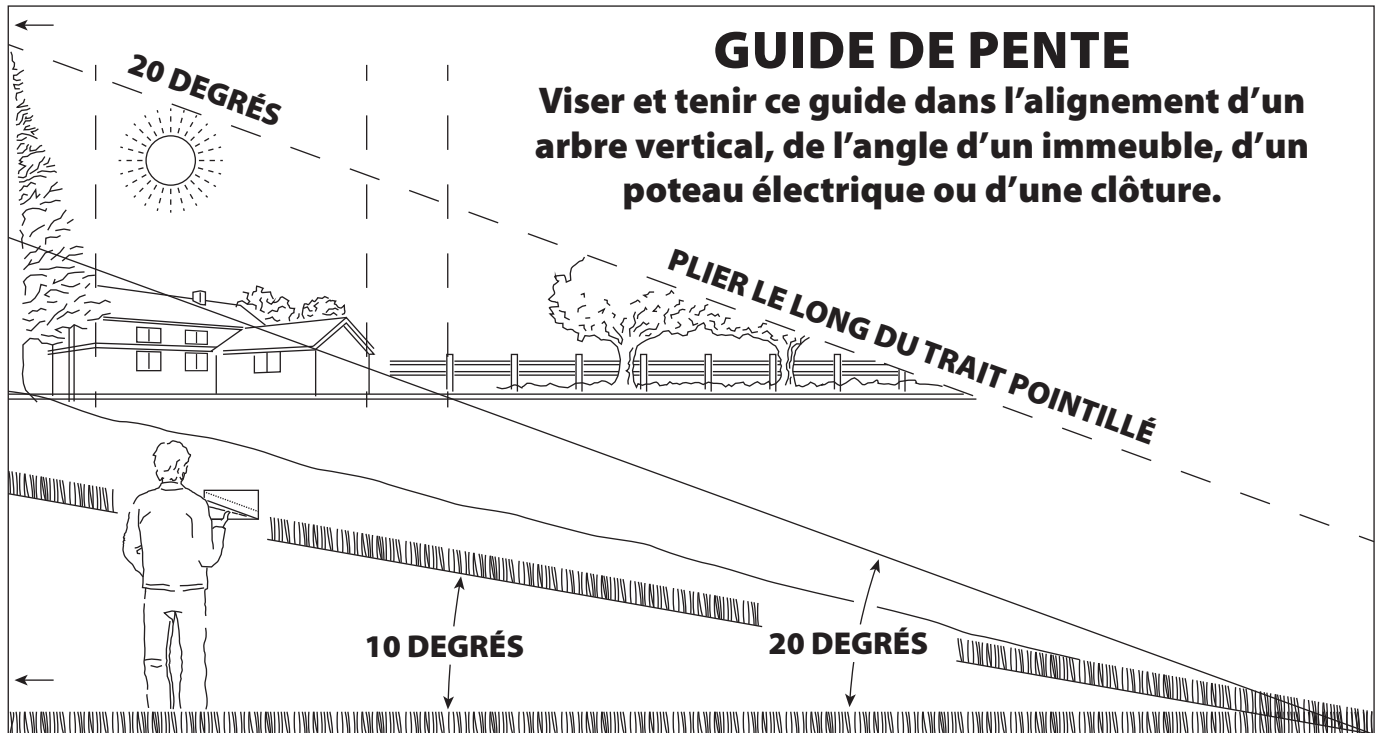
Certains ajustements périodiques sont nécessaires pour entretenir correctement la faucheuse. Tous les réglages de la section « Réparations et réglages » de ce manuel doivent être vérifiés au moins une fois par saison.

**GUIDE DE DÉPANNAGE** REMARQUE : Pour tout problème de moteur, consulter le guide de dépannage complet dans le manuel du moteur.

Problème	Cause	Correction
Le moteur ne démarre pas	Câble de bougie débranché	Brancher le câble de bougie
	Bougie défectueuse ou d'écartement incorrect	Voir le manuel du moteur
	Réservoir de carburant vide	Ajouter du carburant
	Carburateur ou tuyau de carburant sale	Voir le manuel du moteur
	Filtre à air sale	Voir le manuel du moteur
	Carburateur déréglé	Pour régler le carburateur, apporter la machine à un centre de réparation agréé
	Moteur noyé	Attendre quelques minutes avant de le démarrer
	Essence viciée	Vidanger l'essence usagée et remplir d'essence fraîche
	Allumage défectueux	Voir le manuel du moteur
	Batterie déchargée	Charger ou changer si elle est morte, endommagée ou défectueuse
Le moteur tourne mal	Bougie défectueuse	Changer la bougie
	Filtre à air sale	Voir le manuel du moteur
	Carburateur déréglé	Pour régler le carburateur, apporter la machine à un centre de réparation agréé
	Essence viciée	Vidanger l'essence usagée et remplir d'essence fraîche
	Système de refroidissement du moteur encrassé	Nettoyer le tamis filtrant et les ailettes de refroidissement du moteur
Le moteur surchauffe	Système de refroidissement du moteur encrassé	Nettoyer le tamis filtrant et les ailettes de refroidissement du moteur
	Carburateur déréglé	Pour régler le carburateur, apporter la machine à un centre de réparation agréé
	Niveau d'huile insuffisant	Compléter le niveau d'huile
Le moteur ne s'arrête pas	Défaillance de l'allumage	Contrôler et changer les pièces endommagées
	Fil d'allumage débranché	Contrôler, réparer ou changer les pièces endommagées
Fauchage peu satisfaisant	Lames de coupe émoussées	Affûter ou changer les lames de fauchage
	Courroie détendue	Régler la tension de la courroie
La faucheuse vibre	Vis et écrous desserrés	Vérifier le serrage des vis et écrous, y compris des vis du moteur
	Tête de fauchage ou lames cassées	Changer les pièces cassées
Les lames ne tournent pas	Levier de commande des lames en position arrière/haute	Amener le levier en position avant/basse
	Rupture de la courroie d'entraînement	Changer la courroie
	Courroie détendue	Régler la tension de la courroie



## GUIDE DE PENTE



Utiliser ce guide pour déterminer l'angle de la pente.

### NE PAS FAUCHER DANS UNE PENTE SUPÉRIEURE À 20 DEGRÉS.

Une pente de 10 degrés est un terrain qui s'élève d'environ 1,76 m en hauteur sur 10 mètres de distance.

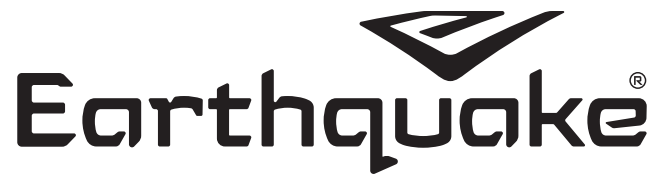
Une pente de 20 degrés est un terrain qui s'élève d'environ 3,64 m en hauteur sur 10 mètres de distance.

### ⚠ AVERTISSEMENT

▲ FAIRE PREUVE DE GRANDE PRUDENCE EN PERMANENCE ET ÉVITER LES VIRAGES OU MANŒUVRES BRUSQUES. RESPECTER LES AUTRES INSTRUCTIONS DANS CE MANUEL CONCERNANT LA SÉCURITÉ DU FAUCHAGE DANS LES PENTES. UTILISER LA FAUCHEUSE VERS LE HAUT ET LE BAS DANS LE SENS DE LA PENTE, JAMAIS PERPENDICULAIREMENT. FAIRE PREUVE DE BEAUCOUP DE PRÉCAUTION LORS DE L'UTILISATION SUR OU À PROXIMITÉ DE PENTES OU D'OBSTRUCTIONS.







GROUNDBREAKING POWER EQUIPMENT

1730 Industrial Avenue  
PO Box 666  
Cumberland, WI 54829

Phone, Téléphone : (800) 345-6007  
Fax, Télécopieur : (715) 822-2124  
[www.getearthquake.com](http://www.getearthquake.com)