

Earthquake®

Groundbreaking Power Equipment

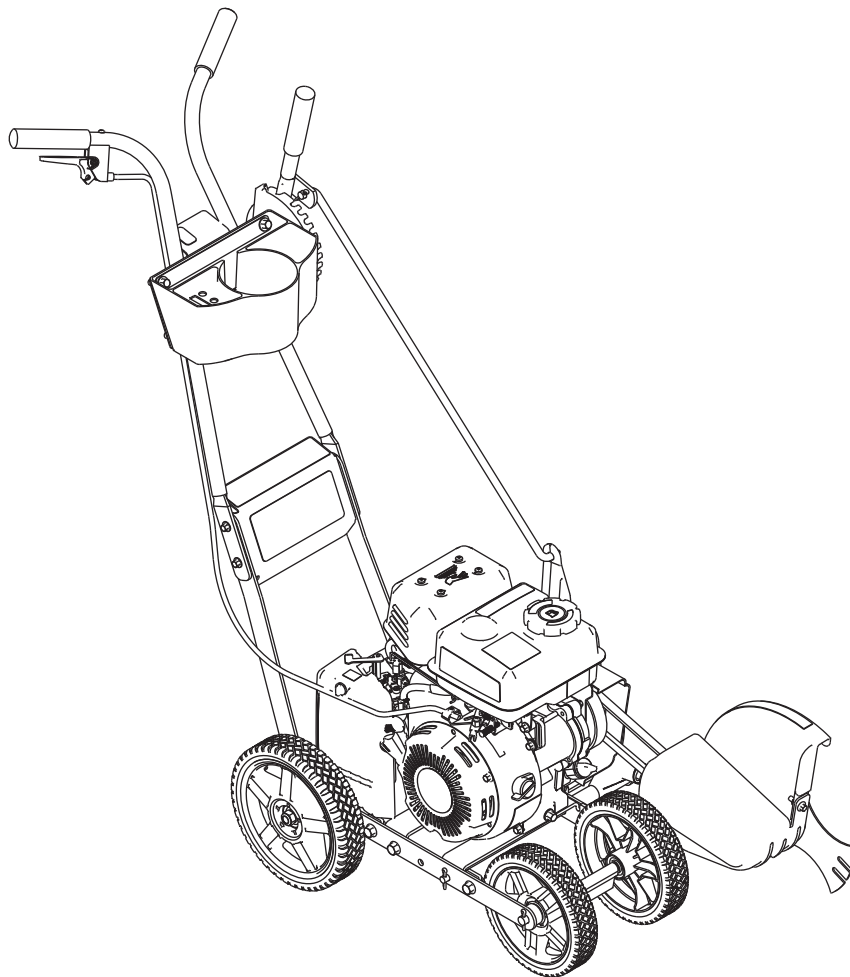
Operator Manual
Manuel de l'utilisateur

Edger

Model Number, Numéros de modèle :
41273

ENGLISH

FRANÇAIS



Get parts or technical assistance online at
www.getearthquake.com or call (800) 345-6007
Pièces détachées et assistance technique en ligne à
www.getearthquake.com ou composer le (800) 345-6007

© 2023 Ardisam
All Rights Reserved
Tous droits réservés
P/N: 41487
ECN: 14064
REV 3: 10/18/2022



THIS INSTRUCTION BOOKLET CONTAINS IMPORTANT SAFETY INFORMATION. PLEASE READ AND KEEP FOR FUTURE REFERENCE.
CE LIVRET D'INSTRUCTIONS CONTIENT DES INFORMATIONS IMPORTANTES SUR LA SÉCURITÉ. VEUILLEZ LE LIRE ET LE CONSERVER POUR TOUTE CONSULTATION EXTÉRIEURE.

INTRODUCTION

Congratulations on your investment in quality. Thank you for purchasing an edger from *Earthquake*®. We have worked to ensure that your product meets the highest standards for usability and durability. With proper care, your edger will provide many years of service.

Please read this entire manual before installation and use. Earthquake reserves the right to change, alter or improve the product and this document at any time without prior notice.

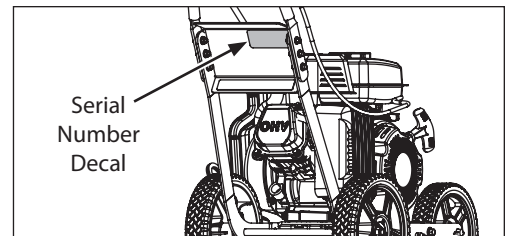
CONTENTS

Introduction/Registration and Service	2
Warnings.....	3
General Safety Rules.....	4
Safety Precautions.....	5
Service Safety/Symbols.....	6
Safety Decals.....	7
Features and Controls.....	8
Specifications.....	9
Assembly.....	10-12
General Operation	13-14
Edging Tips	15
Slope Guide.....	15
Maintenance	16
Transporting and Storage	17
Troubleshooting	17
Troubleshooting Guide	18

When contacting your authorized dealer or Earthquake for replacement parts, service, or information you MUST have these numbers. Do not take this product back to the store from which it was purchased.

Record your model name/number, manufacturer's serial number, and engine serial number in the space provided for easy access.

NOTE: For location of engine serial number, refer to the engine owner's manual.



REGISTRATION AND SERVICE

Record the product number and serial number in the space provided for easy reference when ordering parts or requesting technical support. Excluding emissions-related warranty items, the warranty is valid only if the completed registration is received by Earthquake within 30 days of purchase. **(SEE WARRANTY STATEMENT FOR MORE INFORMATION.)** You can register your warranty online by visiting www.getearthquake.com, or by mailing it to: Warranty Department, 1730 Industrial Avenue, Cumberland, WI 54829. If you do not have access to www.getearthquake.com, call our customer service department at (800) 345-6007 Mondays through Fridays from 8 a.m. to 4:30 p.m. CST.

OWNERSHIP RECORDS		
Owner's Name:		
Owner's Address:		
City:	State/Province:	Zip Code/Postal Code:
Model Number:	Serial Number:	
Engine Model:	Engine Serial Number:	
Date of Purchase:	Notes:	

This manual may contain information for several models. Read and keep this manual for future reference. This manual contains important information on SAFETY, ASSEMBLY, OPERATION, AND MAINTENANCE. The owner must be certain that all the product information is kept with the unit. This information includes the MANUAL(s), the ILLUSTRATED PARTS BREAKDOWN and the WARRANTY STATEMENTS. This information must be included to make sure state laws and other laws are followed. This manual should remain with the unit even if it is resold.

WARNINGS AND SAFETY PRECAUTIONS

Owner's Responsibility

Accurate assembly, and safe and effective use of the edger is the owner's responsibility.

- Read and follow all safety instructions.
- Carefully follow all assembly instructions.
- Maintain the edger according to directions and schedule included in this operator's manual.
- Ensure that anyone who uses the edger is familiar with all controls and safety precautions.

Special Messages

Your manual contains special messages to bring attention to potential safety concerns, machine damage as well as helpful operating and servicing information. Please read all the information carefully to avoid injury and machine damage.

NOTE: General information is given throughout the manual that may help the operator in the operation or service of the machine.

Important Safety Precautions

Please read this section carefully. Operate the edger according to the safety instructions and recommendations outlined here and inserted throughout the text. Anyone who uses this edger must read the instructions and be familiar with the controls. Learn how to control the edger at all times.



This symbol points out important safety instructions which if not followed could endanger your personal safety. Read and follow all instructions in this manual before attempting to operate this equipment.



WARNING

WARNING INDICATES A HAZARD WHICH, IF NOT AVOIDED, COULD RESULT IN DEATH OR SERIOUS INJURY AND/OR PROPERTY DAMAGE.



CAUTION

CAUTION INDICATES YOU CAN BE HURT OR YOUR EQUIPMENT DAMAGED IF THE SAFETY INSTRUCTIONS THAT FOLLOW THIS SIGNAL WORD ARE NOT OBEYED.



IMPORTANT

INDICATES HELPFUL INFORMATION FOR PROPER ASSEMBLY, OPERATION, OR MAINTENANCE OF YOUR EQUIPMENT.



WARNING

CALIFORNIA PROPOSITION 65 WARNING

ENGINE EXHAUST FROM THIS PRODUCT CONTAINS CHEMICALS KNOWN TO THE STATE OF CALIFORNIA TO CAUSE CANCER, BIRTH DEFECTS, OR OTHER REPRODUCTIVE HARM.



WARNING

YOU MUST READ, UNDERSTAND AND COMPLY WITH ALL SAFETY AND OPERATING INSTRUCTIONS IN THIS MANUAL BEFORE ATTEMPTING TO SETUP AND OPERATE YOUR MACHINE.

FAILURE TO COMPLY WITH ALL SAFETY AND OPERATING INSTRUCTIONS CAN RESULT IN LOSS OF MACHINE CONTROL, SERIOUS PERSONAL INJURY TO YOU AND/OR BYSTANDERS, AND RISK OF EQUIPMENT AND PROPERTY DAMAGE. THE TRIANGLE IN THE TEXT SIGNIFIES IMPORTANT CAUTIONS OR WARNINGS WHICH MUST BE FOLLOWED.

C E Intended Use / Foreseeable Misuse

This is a motorized, walk-behind edger used for maintaining and trimming unwanted weeds and grass from areas next to concrete or other landscaping items. This edger is not to be used to cut wood or concrete. It is pedestrian controlled. It has a petrol-fuelled internal combustion engine that powers the cutting wheel. It shall not be used for any other purpose.

GENERAL SAFETY RULES

- Read, understand, and follow all instructions on the machine and in the manual(s). Be thoroughly familiar with the controls and the proper use of the machine before starting.
- Use this equipment for its intended purpose only.
- Familiarize yourself with all of the safety and operating decals on this equipment and on any of its attachments or accessories.
- Do not put hands or feet near or under rotating parts.
- Only allow responsible individuals who are familiar with the instructions to operate the machine. Do not allow children to operate this machine. Keep small children away from the area while in use. Do not allow adults to operate the machine without proper instruction.
- Thoroughly inspect the area where the machine is to be used and remove all foreign objects. Your equipment can propel small objects at high speed causing personal injury or property damage. Stay away from breakable objects, such as house windows, automobiles, greenhouses, etc.
- Wear appropriate clothing such as a long-sleeved shirt or jacket. Also wear long trousers or slacks. Do not wear shorts. Never wear sandals, sneakers, or open shoes, and never operate the machine with bare feet.
- Do not wear loose clothing or jewelry. They can get caught in moving parts. Always keep hands, feet, hair and loose clothing away from any moving parts on engine and machine.
- Always wear safety goggles or safety glasses with side shields when operating the machine to protect your eyes from foreign objects which can be thrown from the unit. Always wear protective hearing equipment.
- Always wear work gloves and safety shoes during operation. Wear footwear that will improve footing on slippery surfaces. Leather work shoes or short boots work well for most people. These will protect the operator's ankles and shins from small sticks, splinters, and other debris.
- It is advisable to wear protective headgear to prevent the possibility of being struck by small flying particles, or being struck by low hanging branches, twigs, or other objects which may be unnoticed by the operator.
- Do not operate the machine without proper guards or other safety protective devices in place.
- See manufacturer's instructions for proper operation and installation of accessories. Only use accessories approved by the manufacturer.
- Operate only in daylight or good artificial light.
- Do not operate product when fatigued or under the influence of alcohol, drugs or other medication which can cause drowsiness or affect your ability to operate this machine safely.
- Never operate machine in wet grass. Always be sure of your footing; keep a firm hold on the handle and walk; never run.

- Watch for traffic whenever you are operating near, or when crossing roads.
- If the equipment should start to vibrate abnormally, stop the engine (motor), disconnect the spark plug wire and prevent it from touching the spark plug. Check immediately for cause. Vibration is generally a warning of trouble. If the noise or vibrations of the machine increase, stop immediately and perform an inspection.
- Never leave the machine unattended when the engine is running.
- Regularly inspect the machine. Make sure parts are not bent, damaged or loose.
- Temperature of muffler and nearby areas may exceed 150° F (65° C). Allow muffler and engine areas to cool before touching. Never pick up or carry the machine while the engine is running.
- Prolonged exposure to noise and vibration from gasoline engine-powered equipment should be avoided. Take intermittent breaks and/or wear ear protection from engine noise as well as heavy work gloves to reduce vibration in the hands.
- Keep all screws, nuts and bolts tight.
- Do not transport the machine from one place to another with the engine running.
- When moving the packaged machine, always do so with a partner.
- Check local regulations for age restrictions on use of this machine.
- Stay away from rotating parts. Place protective covers over rotating parts.

PRODUCT-SPECIFIC SAFETY RULES

- Do not edge above underground utilities, including water lines, gas lines, electric cables, or pipes. Do not operate the machine on terrain/soil with large rocks and foreign objects which can damage the equipment.
- After striking a foreign object, stop the engine. Remove the wire from the spark plug. Inspect the machine for damage. If damaged, repair before starting and operating the machine.
- The blade of the edger should not rotate when the engine is idling. If it does rotate when engine is idling, contact *Earthquake®* for instructions.
- If an object becomes lodged in the blade guard area, turn engine off, remove the wire from the spark plug and secure, allow to cool before attempting to remove the foreign object.
- Use edger only for edging along flower beds, terraces, sidewalks and curbs.

ENGINE SAFETY PRECAUTIONS

Preventing Carbon Monoxide Poisoning

- Never try to ventilate engine exhaust indoors. Carbon monoxide can reach dangerous levels very quickly.
- Never run engine outdoors where exhaust fumes may be pulled into a building.
- Never run engine outdoors in a poorly ventilated area where the exhaust fumes may be trapped and not easily taken away. (Examples include: in a large hole or areas where hills surround your working area.)
- Never run engine in an enclosed or partially enclosed area. (Examples include: buildings that are enclosed on one or more sides, under tents, car ports or basements.)
- Never point the exhaust muffler towards anyone. People should always be many feet away from the operation of the engine and its attachments.
- Do not change the engine governor settings or over-speed the engine.
- Always keep materials and debris clear of muffler guard and other hot engine parts.
- Always make sure the exhaust pipe is free of foreign objects.

Gasoline Fires and Handling Fuel Safely

- Use extra care in handling gasoline and other fuels. They are flammable and vapors are explosive.
- When storing extra fuel be sure that it is in an appropriate container and away from any fire hazards. Prevent fire and explosion caused by static electric discharge. Use only nonmetal, portable fuel containers approved by the Underwriter's Laboratory (U.L.) or the American Society for Testing & Materials (ASTM).
- Always fill fuel tank outside in a well ventilated area. Never fill your fuel tank with fuel indoors. (Examples include: basement, garage, barn, shed, house, porch, etc.) Never fill tank near appliances with pilot lights, heaters, or other ignition sources. If the fuel has to be drained, this should be done outdoors and with the proper equipment. The drained fuel should be stored in a container specifically designed for fuel storage or it should be disposed of carefully.
- Never remove the fuel cap or add fuel with the engine running. Stop engine and allow to cool before removing the fuel cap/and or refilling the engine.
- Do not smoke near or while handling engine fuel.
- Never drain fuel from engine in an enclosed area.
- During storage, tightly screw down fuel cap.
- Never pour fuel from engine fuel tank.
- Never siphon fuel by mouth to drain fuel tank.
- Always have an adult fill the fuel tank and never allow children to fill the engine with fuel.

WARNING

ENGINES GIVE OFF CARBON MONOXIDE, AN ODORLESS, COLORLESS, POISONOUS GAS. CARBON MONOXIDE MAY BE PRESENT EVEN IF YOU DO NOT SMELL OR SEE ANY ENGINE EXHAUST. BREATHING CARBON MONOXIDE CAN CAUSE NAUSEA, FAINTING OR DEATH, IN ADDITION TO DROWSINESS, DIZZINESS AND CONFUSION.

IF YOU EXPERIENCE ANY OF THESE SYMPTOMS, SEEK FRESH AIR AND MEDICAL ATTENTION IMMEDIATELY.

START AND RUN ENGINE OUTDOORS. DO NOT START OR RUN ENGINE IN ENCLOSED AREA, EVEN IF DOORS OR WINDOWS ARE OPEN.

HOT GASES ARE A NORMAL BY-PRODUCT OF COMBUSTION. FOLLOW ALL SAFETY INSTRUCTIONS TO PREVENT BURNS AND FIRES.

DO NOT ALTER/MODIFY ENGINE:

NEVER ALTER OR MODIFY THE ENGINE FROM THE FACTORY. SERIOUS INJURY OR DEATH MAY OCCUR IF ENGINE IS MODIFIED OR ALTERED.

WHEN WORKING ON OR REPLACING PARTS FOR THE ENGINE OR PRODUCT, YOU MUST ALWAYS DISCONNECT SPARK PLUG WIRE FROM THE SPARK PLUG AND KEEP IT AWAY FROM THE SPARK PLUG.

- Never allow an adult or anyone under the influence of drugs or alcohol to fill the engine with fuel.
- When storing gasoline or equipment with fuel in the tank, store away from furnaces, stoves, water heaters or other appliances that have a pilot light or other ignition source because they can ignite gasoline vapors.

Prevention of Burns and Fires

- Never remove the muffler guard from the engine.
- Never touch the muffler guard because it is extremely hot and will cause severe burns.
- Never touch parts of the engine that become hot after operation.
- Always keep materials and debris away from muffler guard and other hot parts of the engine to avoid fires.

Burns and Fires

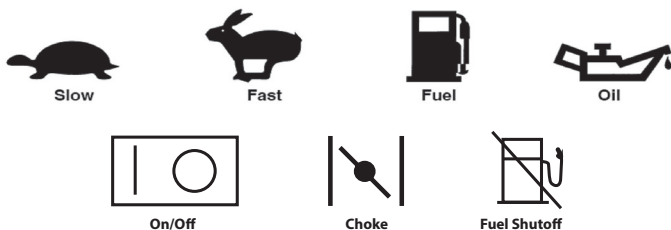
- The muffler, muffler guard and other parts of the engine become extremely hot during the operation of the engine. These parts remain extremely hot after the engine has stopped.
- Do not use engine around dry brush, cloth rags, or other flammable materials.
- Never operate the engine without the muffler guard in place.
- The engine exhaust becomes very hot during operation. Keep engine at least three feet away from buildings and other equipment during operation.

SERVICE SAFETY

- Always stop the engine whenever you leave the equipment, before cleaning, repairing or inspecting the unit. Engine should be turned off and cool, spark plug wire must be removed from spark plug before any repairs or adjustments are attempted. Never make adjustments or repairs with the engine (motor) running. Disconnect the spark plug wire, and keep the wire away from the plug to prevent accidental starting.
- Always wear eye protection when you make adjustments or repairs.
- Keep all nuts and bolts tight and keep equipment in good condition. Never tamper with safety devices. Check their proper operation regularly.
- When servicing or repairing the engine, do not tip the engine over or up unless specifically instructed to do so in this manual. Service and repair procedures can be done with the engine in an upright position. Some procedures will be easier if the engine is lifted on a raised platform or working surface.
- To reduce fire hazard, keep engine free of grass, leaves, or other debris build-up. Clean up oil or fuel spillage. Allow engine to cool before storing.
- Stop and inspect the equipment if you strike an object. Repair, if necessary, before restarting.
- Clean and replace safety and instruction decals as necessary.
- Inspect engine before storage. When not in use, disconnect spark plug lead and store indoors in a dry place locked or otherwise inaccessible to children.
- Use only original equipment parts from *Earthquake®*, including all nuts and bolts.

CONTROL AND OPERATING SYMBOLS

Pictured below are control and operating symbols on the unit or in this manual. Before you operate your unit, learn and understand the purpose for each symbol.



SAFETY OR HAZARD SYMBOLS



- A. Warning!
- B. Read Owner's Manual Before Operating Machine.
- C. Only Operate When at a Safe Distance From Others.
- D. Remove Objects that Could Be Thrown By This Machine.
- E. Dangerous Moving Parts.
- F. Be Aware of Moving Parts.
- G. Wear Hearing and Eye Protection At All Times.
- H. Do Not Service or Adjust Moving Parts Unless Engine is Stopped and Spark Plug Wire is Disconnected.
- I. Dress Appropriately And Wear Sturdy Footwear.
- J. Toxic Fumes—Do Not Operate in Unventilated Areas.
- K. Hot Surfaces.
- L. Fire Hazards.
- M. Do Not Use In Thunderstorms—For severe weather, stop operation of this machine and seek shelter.
- N. Keep Hands at a Safe Distance from Blade.
- O. Keep Feet at a Safe Distance from Blade.
- P. Do Not Use Above Underground Utility Lines And Pipes.
- Q. Shock Hazard.
- R. Hot! Do Not Touch!

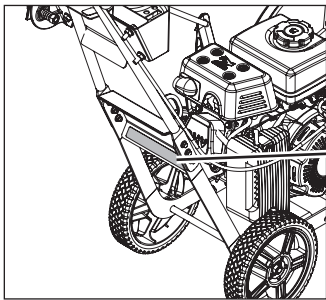
SAFETY DECALS

This unit has been designed and manufactured to provide you with the safety and reliability you would expect from an industry leader in outdoor power equipment manufacturing.

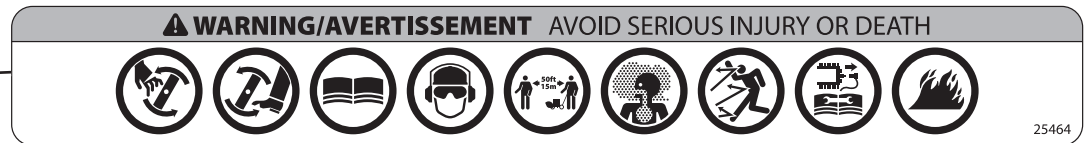
Although reading this manual and the safety instructions it contains will provide you with the necessary basic knowledge to operate this equipment safely and effectively, we have placed several safety labels on the unit to remind you of this important information while you are operating your unit.

All DANGER, WARNING, CAUTION and instructional messages on your unit should be carefully read and obeyed. Personal bodily injury can result when these instructions are not followed. The information is for your safety and it is important! The safety decals below are on your unit.

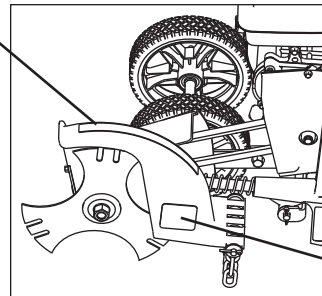
If any of these decals are lost or damaged, replace them at once. See your local dealer or contact *Earthquake®* directly for replacements. These labels are easily applied and will act as a constant visual reminder to you, and others who may use the equipment, to follow the safety instructions necessary for safe, effective operation.



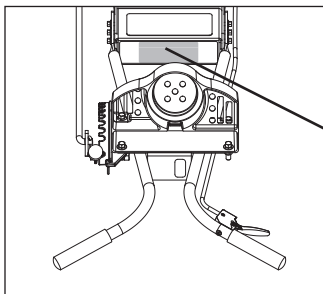
25464
DECAL EDGER PICTORIAL SAFETY



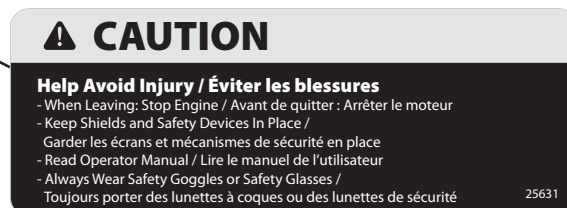
26770
DECAL EDGER BLADE SHIELD



24940
DECAL DANGER KEEP HANDS FEET AWAY



25631
DECAL CAUTION

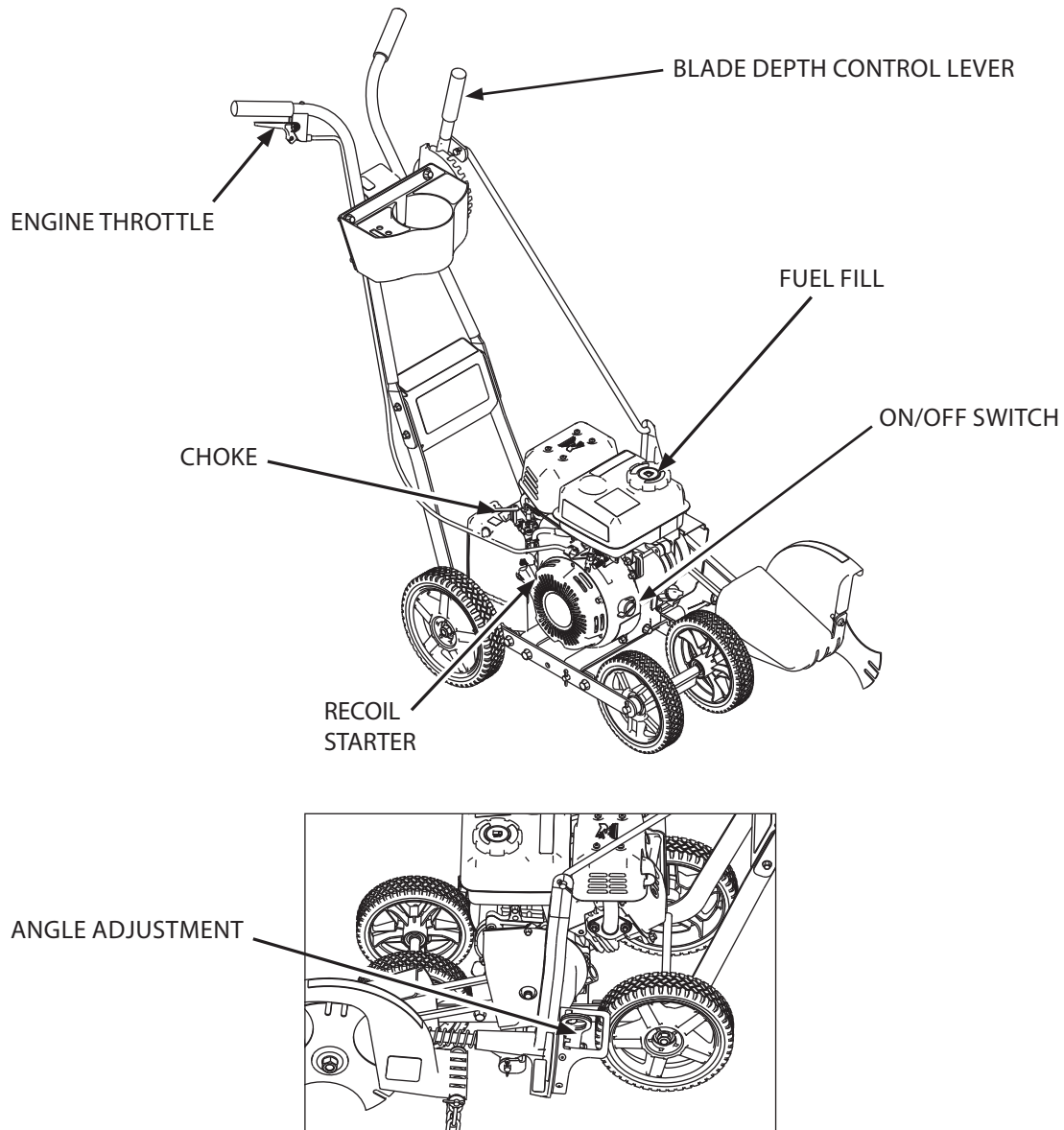


FEATURES & CONTROLS

Control Functions

The information below briefly describes the function of individual controls. Operating requires the combined use of several controls applied in specific sequences. To learn what combination and sequence of controls to use for various tasks see the OPERATION section.

*For engine features and controls see engine manual.



Engine Throttle: Located on the right side handle, as engine throttle is depressed against the handle the engine speed will increase and start the edger blade. When engine throttle is released the engine will go back to idle and blade will stop turning.

Blade Depth Control Lever: The blade depth control lever is located on the left side of the upper handle. It is used to control the depth of the cut. The further forward the blade depth control lever is moved, the deeper into the soil the edger blade will cut.

Recoil Starter: The recoil starter is used to start the engine.

Curb Wheel (Optional): The Curb Wheel Kit offers on the go height adjustment.

SPECIFICATIONS

ENGINE BRAND	VIPER®
ENGINE DISP, TYPE	79CC, 4-CYCLE
ENGINE RATING	3.3 FT-LB MAX TORQUE
FUEL CAPACITY	0.53 GAL
CUTTING DEPTH	3.5 IN
BLADE DIAMETER	9 IN
ADJUSTABLE CUTTING DEPTH	YES
ASSEMBLY REQUIRED	YES
TOOL & CUP HOLDER	YES
CENTRIFUGAL CLUTCH	YES
BALL BEARING WHEELS	YES
CA (CARB) COMPLIANT (50 STATE)	CARB COMPLIANT
TIRE DIAMETER	7.5 IN REAR, 6.5 IN FRONT
TIRE WIDTH	2.0 IN
TIRE MATERIAL	PVC
WHEEL TYPE	AIRLESS
NET WEIGHT	57 LB
GROSS WEIGHT	64 LB
ASSEMBLED DIMENSIONS	42.2" x 19.5" x 37.7"
BOXED DIMENSIONS (IN)	29.0" x 15.3" x 20.9"
START TYPE	RECOIL (MANUAL)
MANUFACTURER WARRANTY	5-YEAR LIMITED PRODUCT
MANUFACTURER ENGINE WARRANTY	5-YEAR LIMITED ENGINE

NOTE: Specifications are correct at time of printing and are subject to change without notice.

ACCESSORIES

Accessories are available from your authorized *Earthquake*® dealer or directly from *Earthquake*. Always use genuine *Earthquake* accessories.

ASSEMBLY

UNPACKING

1. Set aside the operator's manual and parts bag. Carefully lift the top foam out of the box, remove all loose parts from both the top and bottom foam packaging.
2. Parts Bags Contents

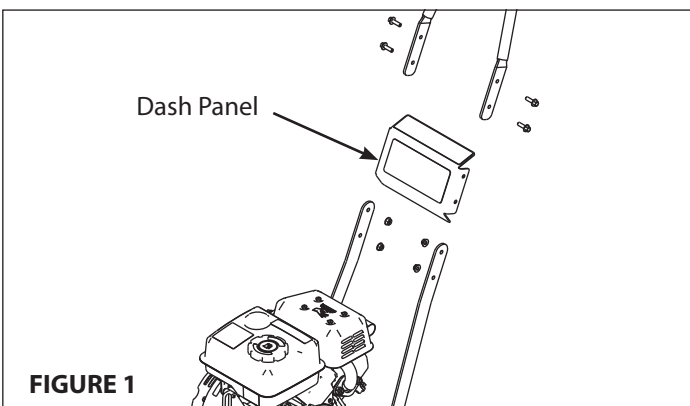
KEY	DESCRIPTION	23275 QTY.
1	BOLT M8 X 25	3
2	BOLT M8 X 30	1
3	BOLT M6 X 20	4
4	BOLT M8 X 20	1
5	NUT M8	5
6	NUT M6	4
7	NUT M10	2
8	COTTER PIN 2 MM	6
9	SPACER AXLE	4
10	SPACER WHEEL POSITION	1
11	DOUBLE ANGLE BRACKET	1
12	STRAP CUP HOLDER	1

Note: Ensure that all parts have been removed from inside and underside slots of foam packaging.

ASSEMBLY INSTRUCTIONS

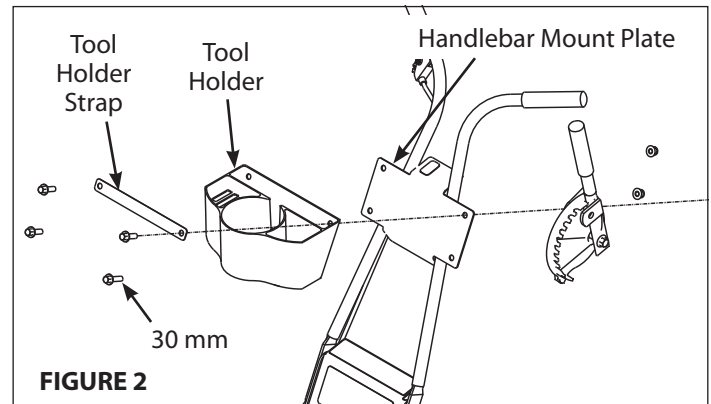
INSTALL HANDLEBAR

1. Position dash panel between the lower handlebar attach points. Position the upper handlebar outside of the lower handlebar attach points. Attach handlebars and dash panel to the handlebar mount with 4 x M6X20 bolts and 4 x M6 nuts. **SEE FIGURE 1.**



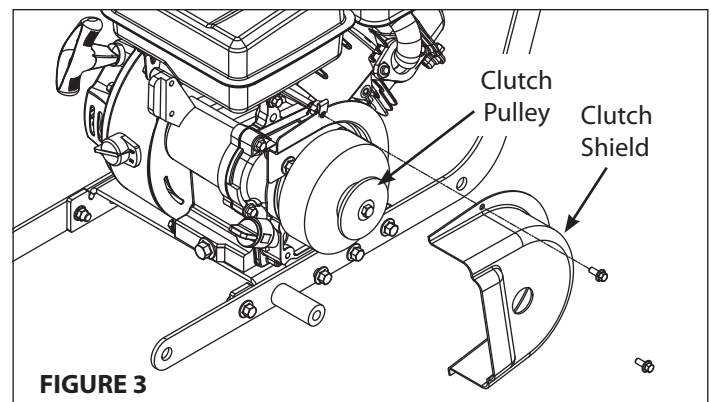
INSTALL TOOL HOLDER AND HEIGHT ADJUSTMENT CONTROLS

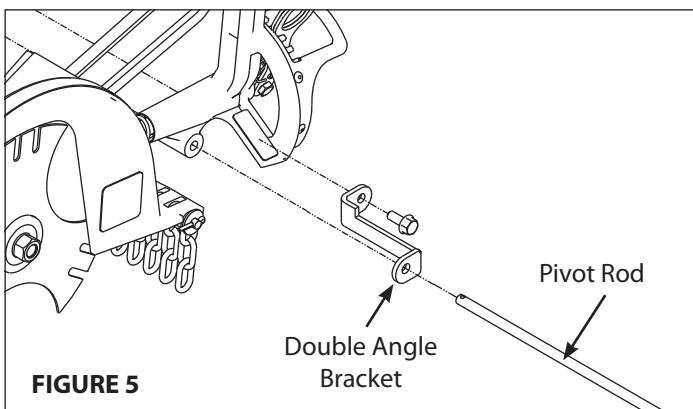
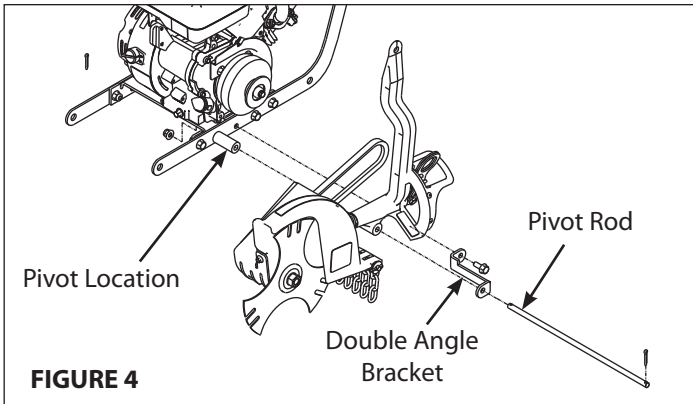
2. Position the tool holder strap onto the front of the tool holder. Then position the tool holder onto the front of the handlebar mount plate. Position the blade height control on the backside of the handlebar mount plate. Attach tool holder strap, tool holder and blade height controls to the handlebars with 3 x M8X25 bolts, 1 x M8X30 and 4 x M8 nuts. The M8x30mm long bolt is attached through the lower left hand side mount point on the tool holder, when standing at the operator's position. **SEE FIGURE 2.**



INSTALL CUTTING HEAD ASSEMBLY

3. Remove the clutch shield. Connect the engine belt to the clutch pulley, and position the cutting head assembly onto the pivot location on the engine mount. Belt should be installed on engine and cutting head. **SEE FIGURE 3.** Position the double angle bracket onto the cutting head assembly. Insert the pivot rod through the double angle bracket, cutting head assembly and engine mount. Attach the pivot rod to the engine mount with 2 x 2mm cotter pins on each end of the rod. Attach the double angle bracket to the engine mount with 1 x M8 x 20 bolt and 1 x M8 nut. **SEE FIGURE 4 AND FIGURE 5. NOTE THE ORIENTATION OF THE DOUBLE ANGLE BRACKET IN FIGURE 5.**

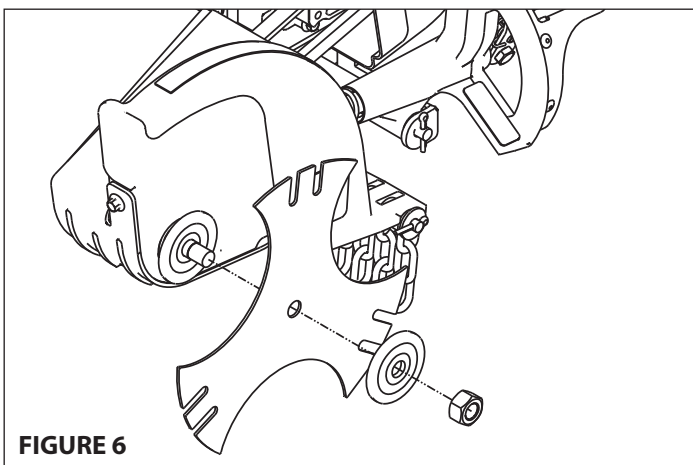




4. Reattach clutch shield.

INSTALL BLADE

5. Remove nut and blade washer from cutting head.
6. Slide blade onto cutting head shaft.
7. Install blade washer and nut. Blade washer should be installed with concave dish toward blade. Tighten nut, to prevent cutting head shaft from spinning, pinch center of belt together with one hand while tightening nut with other hand. **SEE FIGURE 6.**

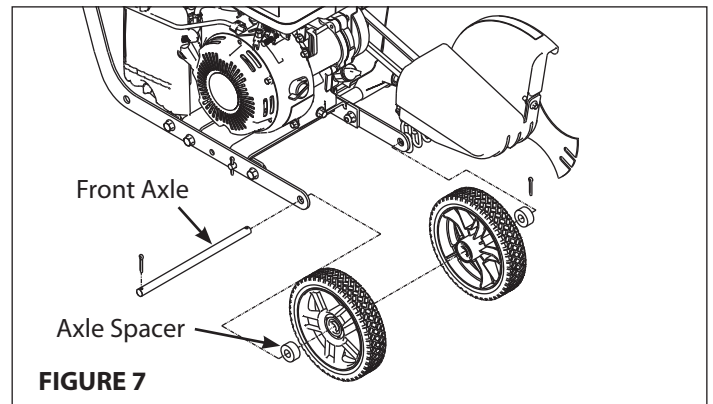


INSTALL WHEELS

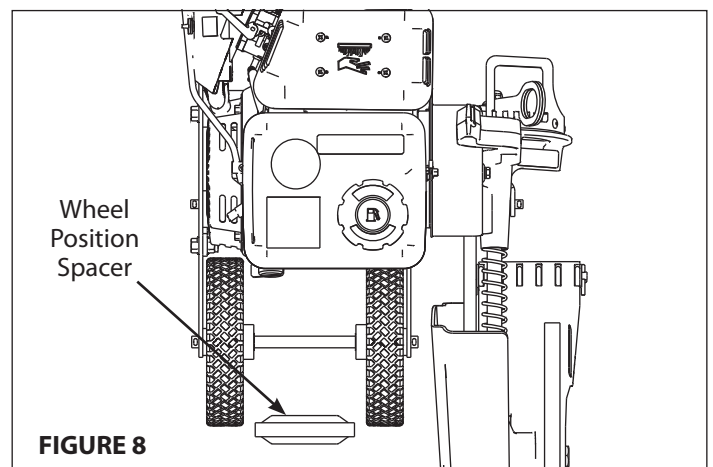
8. Position the front axle with the front mount points on the engine mount. Insert the front axle into the engine mount. Assemble the front wheels in the following order:

1. Axle spacer
2. Front wheel (bearing side facing the spacer)
3. Front wheel (bearing side facing away from the other wheel)
4. Axle spacer

SEE FIGURE 7. Attach the front axle to the engine mount with 2 x M12 washers and 2 x 2mm cotter pins

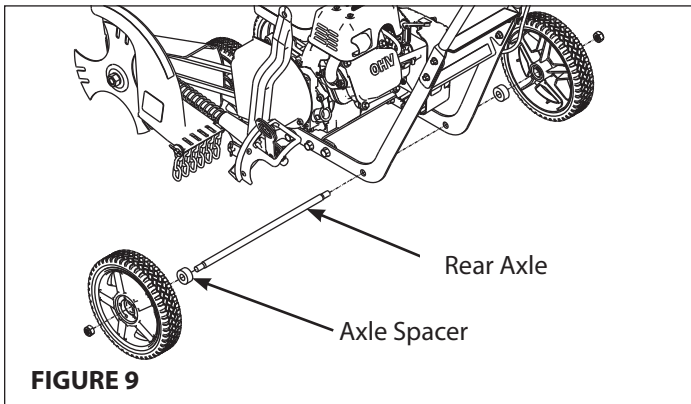


9. Slide the front wheels, one to each end of the front axle. Clip the wheel position spacer onto the front axle between the front wheels. **SEE FIGURE 8.**



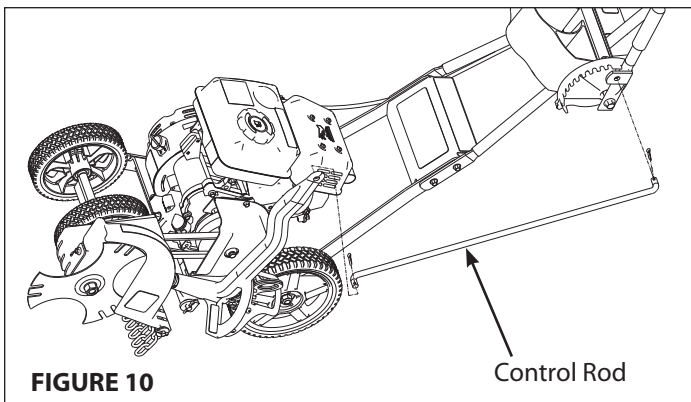
10. Slide a rear wheel onto the rear axle. Slide an axle spacer onto the rear axle up to the rear wheel. The rear wheel should have the bearing side facing the spacer. Position the rear axle

with the rear mount points on the engine mount. Insert the rear axle into the engine mount and through the other side. Slide an axle spacer onto the rear axle and then another rear wheel. Attach the rear axle with 2 x M10 nuts on each end. **SEE FIGURE 9.**



INSTALL CONTROL ROD

8. Insert the control rod into the cutting head assembly so that the hole for the cotter pin is on the outside of the cutting head assembly facing away from the engine. Insert the other end of the control rod into the height adjustment handle. Attach both ends of the control rod with 2 x M10 washers and 2 x 2mm cotter pins. **SEE FIGURE 10.**



GENERAL OPERATION

CUTTING HEAD ANGLE ADJUSTMENT

The angle of the blade can be adjusted using the cutting head angle adjustment handle. The blade can be adjusted $\pm 20^\circ$, $\pm 10^\circ$ from vertical. Pull handle to allow head to pivot. Ensure handle is seated in a notch before operation.

WARNING

CARBON MONOXIDE GAS IS TOXIC. MOVE THE ENGINE TO A WELL-VENTILATED AREA OUTDOORS, TO PREVENT CARBON MONOXIDE POISONING. INHALATION CAN CAUSE UNCONSCIOUSNESS AND DEATH.

NEVER LEAVE THE ENGINE RUNNING WHILE UNATTENDED. TURN ENGINE OFF AFTER USE.

MOVE ENGINE TO A WELL-VENTILATED AREA, ALWAYS OUTDOORS, TO PREVENT CARBON MONOXIDE POISONING.

MOVE TO AN AREA AWAY FROM FLAMES OR SPARKS, TO AVOID IGNITION OF VAPORS IF PRESENT.

STARTING AND STOPPING THE ENGINE

Note: Operating engine on a steep angle will cause the engine to lose lubrication and seize. SEE SLOPE GUIDE ON PAGE 15.

Review "safety and warning precautions" and "pre-operation inspection" sections before starting engine.

Note: Fill with fuel and check oil.

Engine Start

1. Remove all debris from intake and cooling fins to ensure proper air flow. **SEE FIGURE 13.**
2. Move the choke lever as follows:
 - If the engine is cold or the ambient temperature is low, move choke lever to the **FULL CHOKE** position. **SEE FIGURE 14.**
 - If the engine is warm or the ambient temperature is high, move choke lever to the **HALF CHOKE** position or **RUN** position. **SEE FIGURES 15 AND 16.**

CAUTION

DO NOT STOP ENGINE BY MOVING CHOKE CONTROL TO CHOKE. BACKFIRE OR ENGINE DAMAGE MAY OCCUR

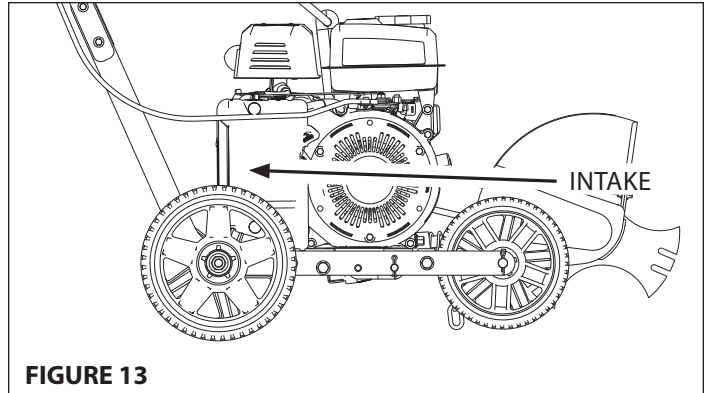


FIGURE 13

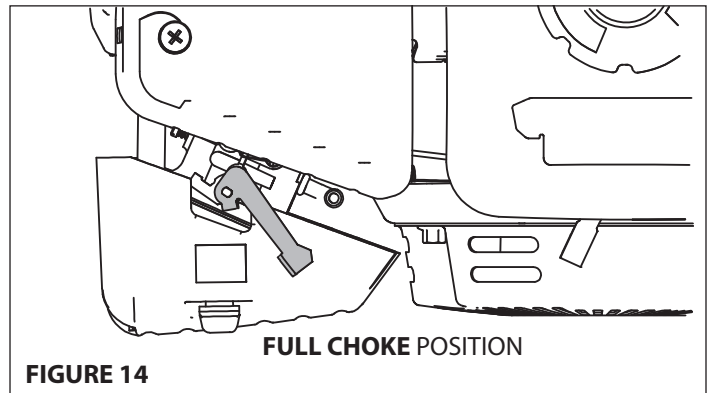


FIGURE 14

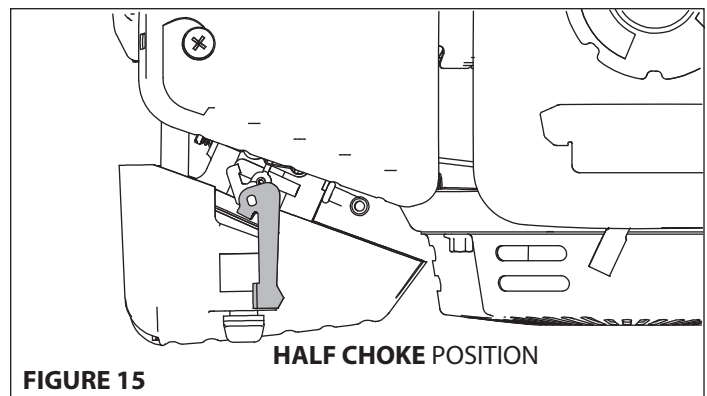


FIGURE 15

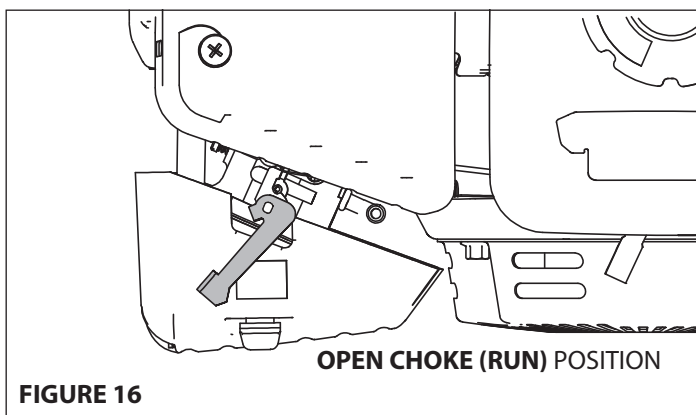


FIGURE 16

3. Turn the On/Off switch to the **ON** position. **SEE FIGURE 17.**
4. Grasp starter handle and pull out slowly, until resistance is felt. Without letting it retract, pull rope with a rapid stroke. **DO NOT** pull out the rope all of the way. Let it return to its original position very slowly. Repeat this step until engine starts.
5. After engine begins operating, move the choke lever to **HALF CHOKE**. **SEE FIGURE 15.**
6. Run engine for 5 to 10 seconds at "Half Choke" position until engine warms up.
7. After starting engine slowly move the choke lever to **RUN** position. **SEE FIGURE 16.**

To Stop the Engine:

1. Move ON/OFF switch to OFF position. **SEE FIGURE 18.**
2. Pull the starter handle slowly and return the handle to its original position when resistance is felt. This operation will prevent outside moisture from entering the combustion chamber.

Edger Operation:

1. Pull throttle on handlebar to increase engine RPM. Increase in engine RPM will cause the blade to begin to spin.
2. Allow blade to reach full speed before engaging into cut.
3. Release throttle trigger to stop blade from spinning. Engine will remain running when blade is not spinning. If blade remains spinning with throttle released, contact customer service for adjustment.
4. Do not force the cut. Allow the blade to cut by slowly advancing forward during cutting. Excessive engine load will cause damage to machine.

CAUTION

IF ENGINE FAILS TO START AFTER ATTEMPTING STARTING PROCEDURES, PLEASE CONTACT OUR CUSTOMER SERVICE DEPARTMENT AT 800-345-6007.

STARTER ROPE CAN CAUSE AN UNANTICIPATED JERK TOWARDS ENGINE. PLEASE FOLLOW INSTRUCTIONS TO AVOID INJURY.

NEVER LEAVE ENGINE RUNNING WHILE UNATTENDED. TURN OFF AFTER EVERY USE.

NEVER CARRY THE MACHINE FROM ONE LOCATION TO ANOTHER WHILE THE ENGINE IS RUNNING.

ALWAYS WEAR A PROTECTIVE HEARING DEVICE.

DO NOT START ENGINE IF FUEL IS SPILLED. WIPE OFF EXCESS FUEL AND ALLOW TO DRY.

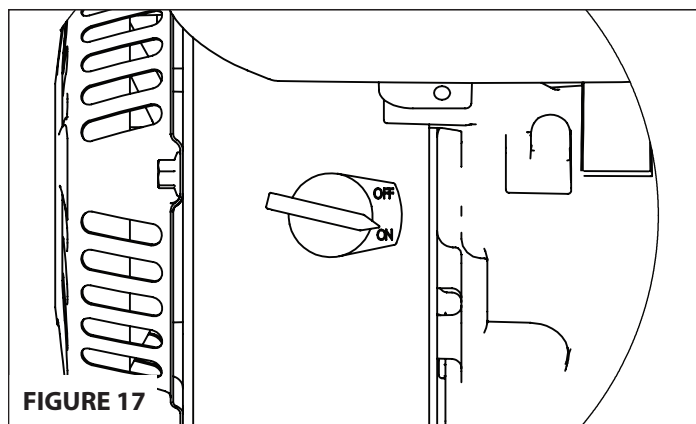


FIGURE 17

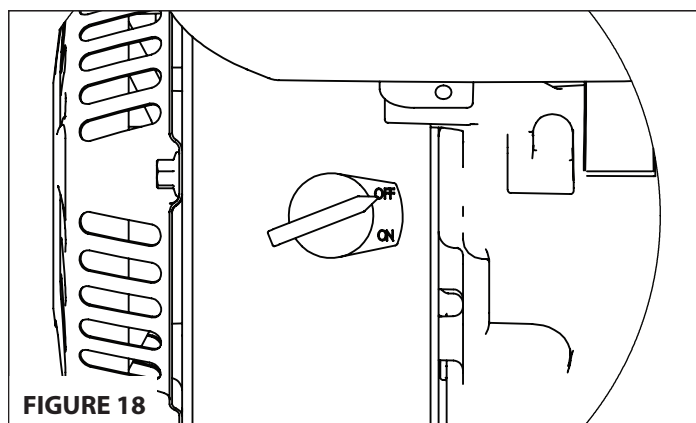


FIGURE 18

EDGING TIPS

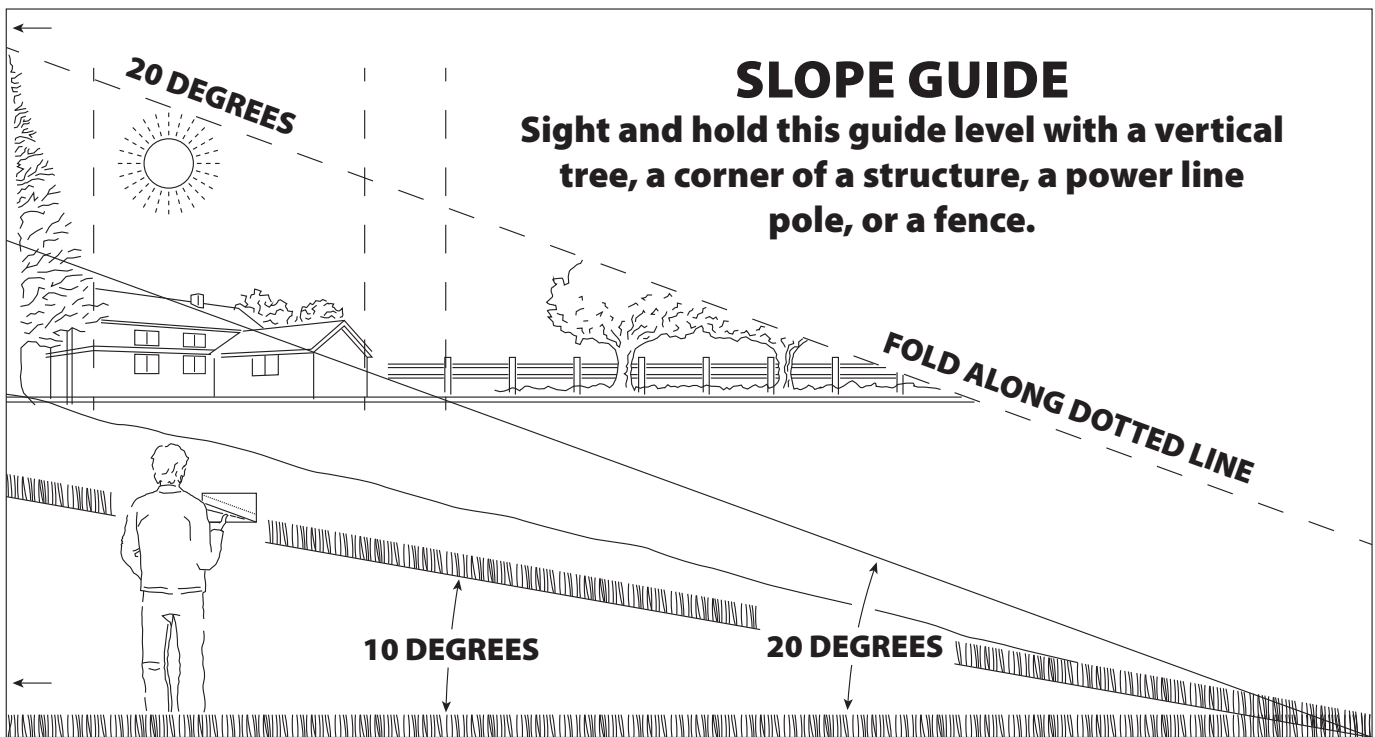
1. Move edger to a desired area to begin edging, making sure that the left rear wheel is on a hard surface and the blade is over area to be cut.
2. Lower blade control lever to achieve depth of cut desired. The further the forward blade depth control lever is moved, the deeper or lower the blade will cut into the ground.
3. For newly edged lawns, multiple passes may be needed to achieve desired depth by lowering depth of cut incrementally.
4. For best results, proceed slowly along the path being edged. Slowly moving edger forward and backward through cutting area, making sure to keep the left rear wheel on the hard surface and the blade in the cutting path, close to but not touching the edge of the hard surface.
5. Once you have finished edging selected area, raise the blade control lever back in to the TOP position, move to the next area to be edged, and proceed again from step 1.

! WARNING!

ROTATING CUTTING BLADE MAY THROW OBJECTS CAUSING PERSONAL INJURY. KEEP AREA CLEAR OF BYSTANDERS AND DO NOT OPERATE WITHOUT GUARDS IN PLACE.

! WARNING!

DO NOT LOWER BLADE IF BLADE IS OVER CONCRETE, ASPHALT, ROCKS OR THE LIKE. BLADE CAN STRIKE SUPPORTING SURFACE, RESULTING IN PERSONAL INJURY OR PROPERTY DAMAGE.



Use this guide to determine slope angle. **Do Not edge on a slope greater than 15 degrees.**

- A 10 degree slope is a hill that increases in height at approximately 1.76 feet (53.6 cm) in 10 feet (304.5 cm).
- A 15 degree slope is a hill that increases in height at approximately 2.68 feet (81.7 cm) in 10 feet (304.5 cm).

! WARNING

USE EXTREME CARE AT ALL TIMES AND AVOID SUDDEN TURNS OR MANEUVERS. FOLLOW OTHER INSTRUCTIONS IN THIS MANUAL FOR SAFETY IN EDGING ON SLOPES. USE EXTRA CARE WHEN OPERATING ON OR NEAR SLOPES AND OBSTRUCTIONS.

MAINTENANCE

ENGINE MAINTENANCE

Refer to the Engine Operator's Manual included with your edger for a detailed description of all engine-related service specifications.

REPLACING DAMAGED OR WORN BLADE:

⚠ CAUTION

SHARP EDGES OF EDGE-TRIMMER BLADE CAN CUT YOU DURING BLADE MAINTENANCE OR ADJUSTMENT. USE SUITABLE COVERING OVER CUTTING EDGES OF BLADE TO PREVENT BODILY HARM.

1. Turn off the engine switch.
2. Disconnect the spark plug wire from the spark plug and set it aside.
3. Loosen the nut holding blade in place. Remove the nut and clamp washer. **See Figure 19.**
4. Replace blade with a new blade and secure it with a clamp washer and nut.
5. Reconnect the spark plug wire.

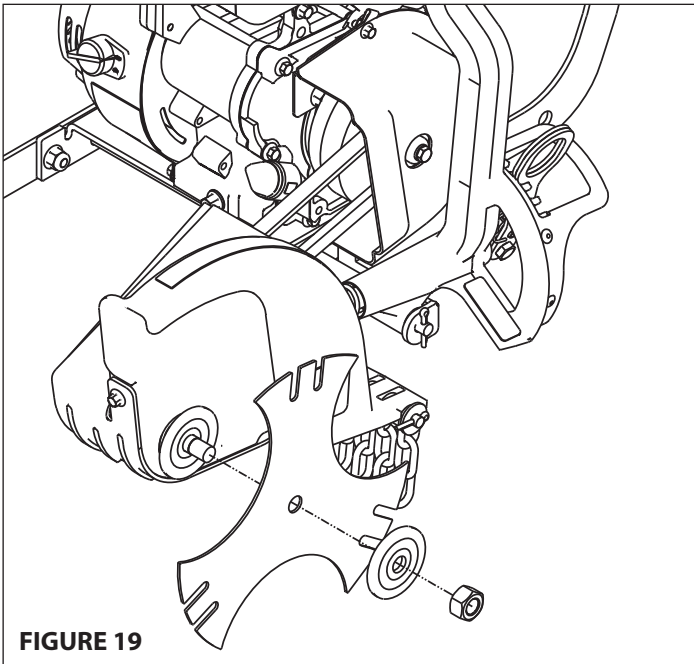


FIGURE 19

LUBRICATION

WHEELS

Lubricate the wheels and bearings at least once a season with a light oil. Also if the wheels are removed for any reason, lubricate the surface of the axle bolt and the inner surface of the wheel with light oil.

PIVOT POINTS

Lubricate the pivot points on the blade depth control lever and, if applicable, the curb height adjustment lever with light oil at least once a season.

⚠ WARNING

IMPROPER MAINTENANCE, OR FAILURE TO CORRECT A PROBLEM BEFORE OPERATION CAN CAUSE A MALFUNCTION. ALWAYS FOLLOW THE INSPECTION AND MAINTENANCE RECOMMENDATIONS AND SCHEDULES INCLUDED WITH THIS OPERATOR'S MANUAL.

CHECK ENGINE REGULARLY FOR LOOSE NUTS AND BOLTS. KEEP THESE ITEMS TIGHTENED.

TEMPERATURE OF MUFFLER AND NEARBY AREAS MAY EXCEED 150° F (65° C). AVOID THESE AREAS.

PREVENT ACCIDENTAL STARTING:

- **ENGINE MUST BE TURNED OFF AND COOL.**
- **SPARK PLUG WIRE MUST BE REMOVED FROM SPARK PLUG BEFORE CHECKING AND ADJUSTING ENGINE OR EQUIPMENT.**

FAILURE TO FOLLOW THESE WARNINGS CAN RESULT IN SERIOUS INJURY OR DEATH.

TRANSPORTING AND STORAGE

1. If fuel is present in the fuel tank, transport in an open vehicle in an upright position.
2. If an enclosed vehicle must be used, remove fuel into an approved red fuel container. DO NOT siphon by mouth.
3. Wipe away any spilled fuel from engine and edger. Allow to dry.

LONG-TERM STORAGE (30 DAYS OR MORE WITHOUT USE)

If your edger will not be used for more than one month, prepare it for long term storage.

STEPS FOR LONG-TERM STORAGE

1. Add fuel stabilizer according to manufacturer's instructions.
2. Run engine for 10-15 minutes to ensure that the stabilizer reaches the carburetor.
3. Remove the remainder of the fuel from the gas tank into an approved fuel container.
4. Remove all debris from the edger engine and blade guard area.



CAUTION

TO AVOID INJURY OR DEATH, NEVER SIPHON FUEL BY MOUTH.

NEVER STORE ENGINE WITH FUEL IN THE TANK INSIDE A BUILDING. POTENTIAL SPARKS MAY BE PRESENT FOR IGNITION OF FUEL AND FUEL VAPORS.

TROUBLESHOOTING

At *Earthquake*®, we build quality and durability into the design of our products; but no amount of careful design by us, and careful maintenance by you, can guarantee a repair-free life for your *Earthquake*® Edger. Most repairs will be minor, and easily fixed by following the suggestions in the troubleshooting guide in this section.

The troubleshooting guide will help you pinpoint the causes of common problems and identify remedies.

For more complicated repairs, you may want to rely on an authorized service center or Earthquake. Earthquake will make the necessary repairs if a service center is not available.

We will always be glad to answer any questions you have, or help you find suitable assistance. To order parts or inquire about warranty, call or e-mail us using the contact information found in this section.

SPARE PARTS

Only use approved *Earthquake*® service parts.

ORDERING REPLACEMENT PARTS

Parts can be obtained directly from the factory. To order parts visit www.getearthquake.com or call 1-800-345-6007.

For other general questions, you can e-mail us at info@ardisam.com.

Please include the following information with your order:

- 1) Part numbers
- 2) Part description
- 3) Quantity
- 4) Model number and serial number

TROUBLESHOOTING GUIDE

PROBLEM	POSSIBLE CAUSE	REMEDY/ACTION
Engine will not start	1. Power switch off	1. Flip switch to ON position
	2. Spark plug wire disconnected	2. Connect spark plug wire to spark plug
	3. Out of fuel	3. Refuel
	4. Spark plug wet, faulty or improperly gapped	4. Clean, replace or gap spark plug
	5. Stale fuel	5. Drain old fuel and replace with fresh. Use fuel stabilizer as a future preventative measure.
Engine runs rough, floods during operation	1. Dirty air filter	1. Clean or replace air filter
	2. Choke partially engaged	2. Turn off choke
	3. Dirty carburetor	3. Call Customer Service
Engine is hard to start	1. Stale fuel	1. Drain old fuel and replace with fresh. Use fuel stabilizer as a future preventative measure.
	2. Spark plug wire loose	2. Make sure spark wire is securely attached to spark plug
	3. Dirty carburetor	3. Call Customer Service
Engine misses or lacks power	1. Clogged fuel tank or fuel filter	1. Remove and clean
	2. Clogged air filter	2. Clean or replace
	3. Spark plug wet, faulty or improperly gapped	3. Clean, replace or gap spark plug
	4. Carburetor needle stuck open	4. Clean carburetor
Engine runs, then quits	1. Fuel cap not venting	1. Unclog, or replace fuel cap
Engine revs too high	1. Speed Adjustment Needed	1. Call customer service
Edger blade turns at idle	1. Idle speed too high	1. Adjust idle speed lower
	2. Broken clutch spring	2. Replace clutch
Edger blade fails to turn	1. Jammed, foreign object in blade area	1. Clear obstruction
Edger blade fails to cut properly	1. Blade worn out	1. Replace blade
	2. Blade wobbles	2. Replace clamp washer, tighten nut

Contact a service provider if above remedies fail.

INTRODUCTION

Nous vous félicitons pour votre investissement dans la qualité. Merci d'avoir acheté un dresse-bordure *Earthquake®*. Nous nous sommes attachés à ce que ce produit réponde aux plus hautes normes d'utilisation et de durabilité. Moyennant des soins corrects, votre dresse-bordure offrira de nombreuses années de service fiable.

Veillez lire ce manuel en entier avant de l'installer et de l'utiliser. Earthquake se réserve le droit de changer, modifier ou améliorer ce produit et cette documentation à tout moment sans préavis.

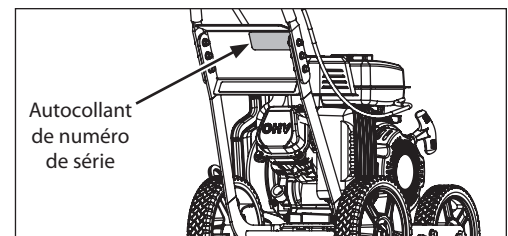
SOMMAIRE

Introduction / Enregistrement et service après-vente.....	19
Avertissements.....	20
Consignes générales de sécurité.....	21
Mesures de précaution.....	22
Sécurité de l'entretien / symboles.....	23
Autocollants de sécurité.....	24
Fonctionnalités et commandes.....	25
Données techniques.....	26
Assemblage.....	27-29
Fonctionnement général.....	30-31
Conseils de dressage des bordures.....	32
Guide de pente.....	32
Entretien.....	33
Transport et entreposage.....	34
Dépannage.....	34
Guide de dépannage.....	35

Lors des commandes de pièces de rechange ou demandes de réparation ou de renseignements auprès d'un concessionnaire agréé ou d'Earthquake, les numéros suivants DOIVENT être à disposition. Ne pas ramener le produit au magasin où il a été acheté.

Consigner le nom/numéro de modèle, le numéro de série du fabricant et le numéro de série du moteur dans l'espace prévu pour y accéder facilement.

REMARQUE : Voir l'emplacement du numéro de série du moteur dans le manuel de l'utilisateur du moteur.



ENREGISTREMENT ET SERVICE APRÈS-VENTE

Consigner le numéro de produit et le numéro de série dans l'espace prévu pour y accéder facilement lors des commandes de pièces détachées ou demandes d'assistance technique. À l'exception des articles couverts par la garantie sur le contrôle des émissions, la garantie est valable uniquement si l'enregistrement dûment rempli est reçu par Earthquake dans les 30 jours après l'achat. **(POUR PLUS DE RENSEIGNEMENTS, VOIR LA DÉCLARATION DE GARANTIE.)** L'enregistrement de la garantie peut se faire en ligne à www.getearthquake.com ou par courrier à : Warranty Department, 1730 Industrial Avenue, Cumberland, WI 54829, États-Unis. S'il n'est pas possible d'accéder à www.getearthquake.com, appeler notre service après-vente au (800) 345-6007 du lundi au vendredi de 8h00 à 16h30 HNC.

RENSEIGNEMENTS SUR LE PROPRIÉTAIRE		
Nom du propriétaire :		
Adresse du propriétaire :		
Ville :	État/Province :	Code postal :
Numéro de modèle :	Numéro de série :	
Modèle de moteur :	Numéro de série du moteur :	
Date d'achat :	Notes :	

Le présent manuel peut contenir des informations concernant plusieurs modèles. Lire ce manuel et le conserver pour toute consultation ultérieure. Ce manuel contient des renseignements importants sur la SÉCURITÉ, l'ASSEMBLAGE, l'UTILISATION et l'ENTRETIEN. Le propriétaire doit veiller à ce que toute la documentation sur le produit soit conservée avec l'appareil. Cette documentation comprend le(s) MANUEL(s), l'ILLUSTRATION DES PIÈCES DÉTACHÉES et les DÉCLARATIONS DE GARANTIE. Cette documentation doit être fournie en vertu de la réglementation en vigueur. Le présent manuel doit rester avec la machine, même lorsqu'elle est revendue.

AVERTISSEMENTS ET MESURES DE PRÉCAUTION

Responsabilité du propriétaire

L'assemblage correct et l'utilisation sûre et efficace du dresse-bordure relèvent de la responsabilité de l'utilisateur.

- Lire et respecter toutes les instructions de sécurité.
- Suivre avec attention toutes les instructions d'assemblage.
- Entretien du dresse-bordure conformément aux instructions et au calendrier figurant dans le manuel de l'utilisateur.
- S'assurer que quiconque utilise le dresse-bordure est familiarisé avec toutes les commandes et mesures de précaution.

Messages spéciaux

Ce manuel contient des messages spéciaux attirant l'attention sur des problèmes de sécurité et dommages potentiels à la machine, ainsi que des informations utiles sur l'utilisation et l'entretien. Veiller à lire toutes ces informations avec attention pour éviter les blessures et les dommages à la machine.

REMARQUE : Des informations générales sont fournies à travers ce manuel pouvant aider l'opérateur dans l'utilisation ou l'entretien de la machine.

Mesures de précaution importantes

Veiller à lire cette section avec attention. Utiliser le dresse-bordure conformément aux instructions et conseils de sécurité fournis ici et tout au long du manuel. Quiconque utilise ce dresse-bordure doit lire les instructions et être familiarisé avec les commandes. Veiller à apprendre à contrôler le dresse-bordure dans toutes les situations.



Ce symbole signale des instructions de sécurité importantes qui doivent être respectées pour ne pas mettre en danger la sécurité des personnes. Lire et respecter toutes les instructions du manuel avant de tenter de faire fonctionner ce matériel.



AVERTISSEMENT

AVERTISSEMENT INDIQUE UN DANGER QUI, S'IL N'EST PAS ÉVITÉ, PEUT PROVOQUER LA MORT OU DES BLESSURES CORPORELLES ET/OU DÉGÂTS MATÉRIELS GRAVES.



ATTENTION

ATTENTION INDIQUE UN RISQUE DE BLESSURES OU DE DOMMAGES AU MATÉRIEL SI LES INSTRUCTIONS DE SÉCURITÉ QUI SUIVENT CE MOT-INDICATEUR NE SONT PAS RESPECTÉES.



IMPORTANT

SIGNELE DES INFORMATIONS UTILES CONCERNANT L'ASSEMBLAGE, L'UTILISATION OU L'ENTRETIEN DU MATÉRIEL.



AVERTISSEMENT

AVERTISSEMENT PROPOSITION 65 DE CALIFORNIE

L'ÉCHAPPEMENT DU MOTEUR DE CE PRODUIT CONTIENT DES SUBSTANCES CHIMIQUES DÉCLARÉES RESPONSABLES DE CANCER, MALFORMATIONS CONGÉNITALES OU AUTRES ANOMALIES DE LA REPRODUCTION PAR L'ÉTAT DE CALIFORNIE.



AVERTISSEMENT

VEILLER À LIRE, À COMPRENDRE ET À RESPECTER TOUTES LES INSTRUCTIONS DE SÉCURITÉ ET D'UTILISATION FIGURANT DANS CE MANUEL AVANT DE TENTER D'INSTALLER ET DE FAIRE FONCTIONNER LA MACHINE.

TOUT MANQUEMENT À OBSERVER LES INSTRUCTIONS DE SÉCURITÉ ET D'UTILISATION PEUT PROVOQUER DES BLESSURES CORPORELLES GRAVES POUR L'UTILISATEUR ET D'AUTRES PERSONNES PRÉSENTES ET DES DÉGÂTS MATÉRIELS. LE TRIANGLE DANS LE TEXTE INDIQUE DES MISES EN GARDE ET AVERTISSEMENTS IMPORTANTS QUI DOIVENT ÊTRE SUIVIS.



Emploi prévu / emploi détourné prévisible

Ceci est un dresse-bordure motorisé à conducteur à pied utilisé pour l'entretien et la taille d'herbes indésirables au voisinage de surfaces en béton et d'autres éléments paysagers. Ce dresse-bordure ne doit pas être utilisé pour couper du bois ou du béton. Il est conçu pour un utilisateur à pied. Il est équipé d'un moteur à combustion interne à essence qui entraîne la lame de coupe. Il ne doit être utilisé à aucune autre fin.

CONSIGNES GÉNÉRALES DE SÉCURITÉ

- Lire, comprendre et respecter toutes les instructions figurant sur la machine et dans le(s) manuel(s). Veiller à bien se familiariser avec les commandes et la bonne utilisation de la machine avant de la démarrer.
- Utiliser ce matériel exclusivement aux fins prévues.
- Veiller à se familiariser avec tous les autocollants de sécurité et d'exploitation apposés sur ce matériel et sur tous ses outils ou accessoires.
- Ne pas placer les mains ni les pieds sous ou à proximité d'une pièce en rotation.
- Permettre l'utilisation de la machine uniquement à des personnes responsables familiarisées avec les instructions. Ne pas laisser d'enfant utiliser cette machine. Tenir les jeunes enfants à l'écart durant l'utilisation. Ne pas laisser d'adulte utiliser cette machine sans instruction appropriée.
- Examiner avec soin la zone où la machine doit être utilisée et éliminer tous les objets étrangers. Ce matériel peut projeter violemment de petits objets et provoquer des dégâts matériels ou des blessures graves. Rester à l'écart des objets fragiles tels que les fenêtres de maison, automobiles, serres, etc.
- Porter une tenue adaptée, notamment un blouson ou une chemise à manches longues. Porter également un pantalon long. Ne pas porter de pantalon court. Ne jamais porter de sandales, chaussures de sport ni chaussures ouvertes et ne jamais utiliser la machine pieds nus.
- Ne pas porter de vêtements amples ni de bijoux. Ils peuvent être happés par les pièces en mouvement. Toujours tenir les mains, les pieds, les cheveux et les vêtements amples à l'écart de toute pièce en mouvement du moteur et de la machine.
- Toujours porter des lunettes à coques ou des lunettes de sécurité à écrans latéraux durant l'utilisation de la machine pour protéger les yeux des objets étrangers susceptibles d'être projetés par la machine. Toujours porter une protection auditive.
- Toujours porter des gants de travail et des chaussures de sécurité durant l'utilisation. Porter des chaussures offrant une bonne adhérence sur les surfaces glissantes. Les chaussures de chantier ou bottines en cuir conviennent généralement bien. Elles protègent les chevilles et les tibias de l'utilisateur contre les petits bouts de bois, échardes et autres débris.
- Il est conseillé de porter une protection de la tête contre les projections de terre et petits cailloux et pour éviter de heurter les branches basses et autres objets auxquels l'utilisateur n'aurait pas prêté attention.
- Ne pas utiliser la machine si tous les carters de protection et autres dispositifs de sécurité ne sont pas en place.
- Voir les instructions du fabricant concernant l'utilisation et la pose d'accessoires. Utiliser exclusivement des accessoires homologués par le fabricant.
- Travailler uniquement durant la journée ou sous une bonne lumière artificielle.
- Ne pas utiliser ce produit alors qu'on est fatigué ou sous l'emprise de l'alcool, de drogues ou de médicaments susceptibles de provoquer une somnolence ou d'altérer la capacité à utiliser la machine en toute sécurité.

- Ne jamais utiliser la machine dans de l'herbe mouillée. Veiller à toujours avoir le pied ferme; tenir fermement la poignée et marcher avec la machine; ne jamais courir.
- Prendre garde à la circulation lors de travaux à proximité d'une chaussée ou en traversant une rue.
- Si la machine commence à vibrer anormalement, arrêter le moteur, débrancher le câble de bougie et l'empêcher de toucher la bougie. Rechercher immédiatement la cause. Les vibrations signalent généralement un problème. Si le bruit ou les vibrations de la machine augmentent, arrêter immédiatement et contrôler la machine.
- Ne jamais laisser la machine sans surveillance avec le moteur en marche.
- Inspecter régulièrement la machine. Vérifier qu'aucune pièce n'est déformée, endommagée ni desserrée.
- La température du silencieux et des zones avoisinantes peut dépasser 65 °C (150 °F). Laisser le silencieux et les surfaces du moteur refroidir avant de les toucher. Ne jamais soulever ni porter la machine avec le moteur en marche.
- L'exposition prolongée au bruit et aux vibrations produits par du matériel à moteur à essence doit être évitée. Faire des pauses intermittentes et/ou porter une protection auditive contre le bruit du moteur, ainsi que des gants de travail épais pour réduire les vibrations dans les mains.
- Maintenir tous les boulons, vis et écrous bien serrés.
- Ne pas transporter la machine d'un endroit à l'autre avec le moteur en marche.
- Toujours déplacer une machine emballée avec l'aide d'une autre personne.
- Consulter la réglementation en vigueur concernant les restrictions d'âge pour l'utilisation de cette machine.
- Rester à l'écart des pièces tournantes. Placer des capots protecteurs sur les pièces tournantes.

CONSIGNES DE SÉCURITÉ PROPRES AU PRODUIT

- Ne pas tailler de bordure au-dessus de canalisations souterraines, notamment conduites d'eau, conduites de gaz, câbles électriques ou autres tuyaux. Ne pas utiliser la machine dans un sol contenant de grosses roches et autres objets étrangers susceptibles d'endommager le matériel.
- Après avoir heurté un objet étranger, arrêter le moteur. Débrancher le câble de la bougie. Contrôler l'état de la machine. En cas de dommages, réparer avant de démarrer et d'utiliser la machine.
- La lame du dresse-bordure ne doit pas tourner lorsque le moteur est au ralenti. Si elle tourne avec le moteur au ralenti, communiquer avec *Earthquake*[®] pour obtenir des instructions.
- Si un objet s'est logé dans le protège-lame, couper le moteur, débrancher et attacher le câble de la bougie et laisser refroidir avant de tenter de déloger l'objet étranger.
- Utiliser le dresse-bordure uniquement pour dresser des bordures le long de parterres de fleurs, terrasses, trottoirs et bordures de chaussée.

MESURES DE PRÉCAUTIONS CONCERNANT LE MOTEUR

Pour éviter l'intoxication au monoxyde de carbone

- Ne jamais essayer de ventiler l'échappement du moteur à l'intérieur. Le monoxyde de carbone peut atteindre des niveaux dangereux très rapidement.
- Ne jamais faire fonctionner le moteur à l'extérieur à un endroit où les gaz d'échappement peuvent être aspirés dans un bâtiment.
- Ne jamais faire fonctionner le moteur à l'extérieur dans un endroit mal aéré où les gaz d'échappement peuvent être piégés et difficiles à dissiper (exemples : fond de fouille ou aires de travail entourées de collines).
- Ne jamais faire fonctionner le moteur dans un endroit fermé ou partiellement fermé (exemples : bâtiments fermés sur un ou plusieurs côtés, sous une tente, abri à voiture ou sous-sol).
- Ne jamais diriger le silencieux d'échappement vers quiconque. Les personnes présentes doivent toujours se tenir à plusieurs mètres de distance du moteur en marche et de ses accessoires.
- Ne pas modifier les réglages du régulateur de moteur ni faire tourner le moteur en surrégime.
- Toujours tenir tous matériaux et débris à l'écart du protège-silencieux et autres pièces chaudes du moteur.
- Toujours s'assurer que le tuyau d'échappement est exempt de corps étrangers.

Feux d'essence et manipulation sécuritaire du carburant

- Faire preuve d'extrême prudence lors de la manipulation de l'essence et de tout autre carburant. Ils sont inflammables et les vapeurs sont explosives.
- Veiller à bien entreposer la réserve de carburant dans un bidon approprié et à l'écart de tout risque d'incendie. Empêcher tout incendie ou explosion sous l'effet d'une décharge d'électricité statique. Utiliser exclusivement des bidons à carburant portables non métalliques homologués par Underwriter's Laboratory (U.L.) ou par l'American Society for Testing & Materials (ASTM).
- Toujours faire le plein du réservoir de carburant à l'extérieur, dans un endroit bien aéré. Ne jamais faire le plein de carburant à l'intérieur (exemples : sous-sol, garage, grange, remise, maison, galerie, etc.). Ne jamais faire le plein près d'appareils à veilleuse, réchauffeurs et autres sources d'inflammation. Si le réservoir doit être vidangé, le faire à l'extérieur et avec un équipement adapté. Le carburant vidangé doit être conservé dans un bidon spécifiquement conçu pour le carburant ou il doit être éliminé avec précaution.
- Ne jamais ouvrir le bouchon du réservoir ni ajouter du carburant avec le moteur en marche. Arrêter le moteur et le laisser refroidir avant d'enlever le bouchon du réservoir ou de refaire le plein de carburant.
- Ne pas fumer à proximité de carburant moteur ou lorsqu'on en manipule.
- Ne jamais vidanger le carburant du moteur dans un endroit fermé.
- Durant l'entreposage, serrer fermement le bouchon du réservoir.
- Ne jamais verser de carburant directement à partir du réservoir du moteur.

AVERTISSEMENT

LES MOTEURS DÉGAGENT DU MONOXYDE DE CARBONE, UN GAZ TOXIQUE INODORE ET INCOLORE. DU MONOXYDE DE CARBONE PEUT ÊTRE PRÉSENT MÊME SI ON NE PEUT NI SENTIR NI VOIR DE GAZ D'ÉCHAPPEMENT DU MOTEUR. L'INHALATION DE MONOXYDE DE CARBONE PEUT PROVOQUER LA NAUSÉE, LA PERTE DE CONSCIENCE, VOIRE LA MORT, EN PLUS D'UN ÉTAT DE SOMNOLENCE, D'ÉTOURDISSEMENT ET DE CONFUSION.

EN PRÉSENCE DE L'UN DE CES SYMPTÔMES, SORTIR À L'AIR FRAIS ET OBTENIR IMMÉDIATEMENT DES SOINS MÉDICAUX.

DÉMARRER ET FAITES TOURNER LE MOTEUR À L'EXTÉRIEUR. NE PAS DÉMARRER NI FAIRE TOURNER LE MOTEUR DANS UN ESPACE FERMÉ, MÊME AVEC DES PORTES OU DES FENÊTRES OUVERTES.

LES GAZ CHAUDS SONT UN SOUS-PRODUIT NORMAL DE LA COMBUSTION. SUIVRE TOUTES LES INSTRUCTIONS DE SÉCURITÉ POUR ÉVITER LES BRÛLURES ET LES INCENDIES.

NE PAS ALTÉRER/MODIFIER LE MOTEUR :

NE JAMAIS ALTÉRER NI MODIFIER LE MOTEUR TEL QU'IL EST LIVRÉ DE L'USINE. LA MODIFICATION OU L'ALTÉRATION DU MOTEUR PEUT ENTRAÎNER DES BLESSURES GRAVES OU LA MORT.

AVANT DE TRAVAILLER SUR LE MOTEUR OU LE PRODUIT OU DE CHANGER DES PIÈCES, VEILLER À TOUJOURS DÉBRANCHER LE CÂBLE DE BOUGIE ET À LE TENIR À L'ÉCART DE LA BOUGIE.

- Ne jamais siphonner le carburant par la bouche pour vidanger le réservoir.
- Toujours faire remplir le réservoir de carburant par un adulte, jamais par un enfant.
- Ne jamais laisser une personne sous l'emprise de l'alcool ou de drogues faire le plein de carburant du moteur.
- Entreposer l'essence ou une machine avec du carburant dans le réservoir à l'écart de chaudières, poêles, chauffe-eau et autres appareils électroménagers comportant une veilleuse ou autre source d'inflammation susceptible d'enflammer les vapeurs d'essence.

Prévention des brûlures et des incendies

- Ne jamais démonter le protège-silencieux du moteur.
- Ne jamais toucher le protège-silencieux parce qu'il est extrêmement chaud et provoquerait des blessures graves.
- Ne jamais toucher les pièces du moteur qui deviennent chaudes après la marche.
- Toujours tenir tous matériaux et débris à l'écart du protège-silencieux et autres pièces chaudes du moteur pour écarter les risques de feu.

Brûlures et feux

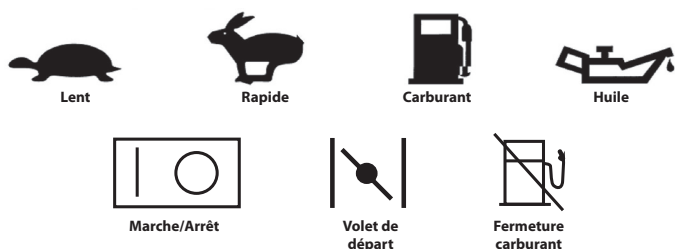
- Le silencieux, le protège-silencieux et d'autres pièces du moteur deviennent extrêmement chauds durant la marche du moteur. Ces pièces restent très chaudes après l'arrêt du moteur.
- Ne pas utiliser le moteur au voisinage d'arbustes secs, de chiffons ou autres matières inflammables.
- Ne jamais faire fonctionner le moteur sans le protège-silencieux en place.
- L'échappement du moteur devient très chaud durant la marche. Garder le moteur à un mètre au moins des bâtiments et autre équipement durant la marche.

SÉCURITÉ DE L'ENTRETIEN

- Toujours arrêter le moteur avant de s'éloigner de la machine et de la nettoyer, la réparer ou la contrôler. Le moteur doit être à l'arrêt et froid et le câble de bougie débranché de la bougie avant toute tentative de réparation ou de réglage. Ne jamais effectuer des réglages ou des réparations avec le moteur en marche. Débrancher le câble de bougie et le tenir loin de la bougie pour éviter tout démarrage accidentel.
- Toujours porter une protection oculaire pour effectuer des réglages ou des réparations.
- Maintenir tous les écrous et vis bien serrés et le matériel en bon état. Ne jamais altérer les dispositifs de sécurité. Vérifier régulièrement leur bon fonctionnement.
- Lors de l'entretien ou des réparations, ne pas basculer ni retourner le moteur sauf sur instruction spécifique dans ce manuel. Les procédures d'entretien et de réparation peuvent se faire avec le moteur en position verticale. Certaines procédures sont plus faciles à effectuer si le moteur est sur une plateforme surélevée ou un plan de travail.
- Pour réduire le risque d'incendie, éviter toute accumulation d'herbes, de feuilles et autres débris sur le moteur. Nettoyer les déversements d'huile ou de carburant. Laisser le moteur refroidir avant de l'entreposer.
- Arrêter et contrôler le matériel après avoir heurté un objet. Réparer, le cas échéant, avant de redémarrer.
- Nettoyer et remplacer les autocollants de sécurité et d'instruction comme il se doit.
- Contrôler le moteur avant de l'entreposer. Lorsqu'il n'est pas utilisé, débrancher le câble de bougie et entreposer à l'intérieur dans un endroit sec verrouillé ou autrement inaccessible aux enfants.
- Utiliser exclusivement des pièces *Earthquake®* d'origine, y compris tous les écrous et vis.

SYMBOLES DE COMMANDE ET DE FONCTIONNEMENT

Les symboles de commande et de fonctionnement figurant sur la machine et dans le manuel sont illustrés ci-dessous. Avant d'utiliser la machine, veiller à apprendre et à comprendre la signification de chaque symbole.



SYMBOLES DE SÉCURITÉ OU DE DANGER



- A. Avertissement!
- B. Lire le manuel de l'utilisateur avant d'utiliser la machine.
- C. Utiliser uniquement à une distance sécuritaire des autres.
- D. Enlever les objets susceptibles d'être projetés par cette machine.
- E. Pièces en mouvement dangereuses.
- F. Prendre garde aux pièces en mouvement.
- G. Porter en permanence une protection auditive et oculaire.
- H. Ne pas effectuer d'entretien ni de réglage de pièces en mouvement avant d'avoir coupé le moteur et débranché le câble de bougie.
- I. S'habiller comme il se doit et porter des chaussures solides.
- J. Vapeurs toxiques — Ne pas faire fonctionner dans des endroits non ventilés.
- K. Surfaces chaudes.
- L. Risques d'incendie.
- M. Ne pas utiliser durant des orages. En cas de fortes intempéries, arrêter la machine et se mettre à l'abri.
- N. Tenir les mains à une distance sécuritaire de la lame.
- O. Tenir les pieds à une distance sécuritaire de la lame.
- P. Ne pas utiliser au-dessus de canalisations et tuyaux souterrains.
- Q. Danger de choc électrique.
- R. Chaud! Ne pas toucher!

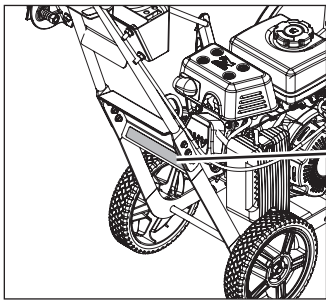
AUTOCOLLANTS DE SÉCURITÉ

Cette machine est conçue et fabriquée pour offrir toute la sécurité et la fiabilité qu'on est en droit d'attendre d'un leader du marché de l'outillage motorisé pour travaux extérieurs.

Bien que le présent manuel et les instructions de sécurité qu'il contient fournissent les connaissances de base nécessaires pour utiliser ce matériel efficacement et en toute sécurité, nous avons apposé plusieurs autocollants de sécurité sur la machine pour rappeler certaines informations importantes à l'opérateur durant l'utilisation de la machine.

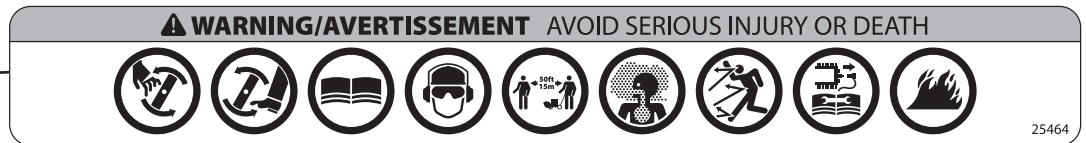
Tous les messages DANGER, AVERTISSEMENT, ATTENTION et d'instructions figurant sur la machine devront être lus avec attention et obéis. Des blessures corporelles sont possibles si ces instructions ne sont pas respectées. Ces informations de sécurité sont importantes! Les autocollants de sécurité ci-dessous sont apposés sur la machine.

Si certains manquent ou sont endommagés, veiller à les remplacer sans délai. Pour obtenir des autocollants de rechange, s'adresser au concessionnaire local ou directement à Earthquake®. Ces autocollants sont faciles à appliquer et constituent pour les utilisateurs un rappel visuel constant à respecter les mesures de précaution nécessaires à une exploitation sécuritaire et efficace de la machine.



25464

AUTOCOLLANT SYMBOLES DE SÉCURITÉ DRESSE-BORDURE

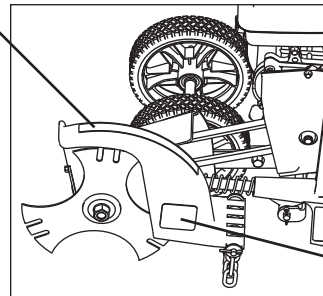


25464



26770

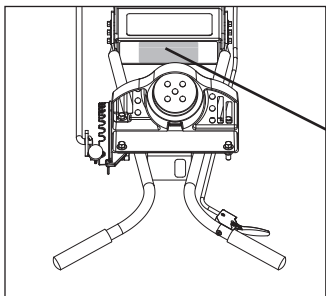
26770
AUTOCOLLANT PROTÈGE LAME
DE DRESSE-BORDURE



24940
AUTOCOLLANT
DANGER GARDER LES
MAINS ET LES PIEDS
ÉLOIGNÉS

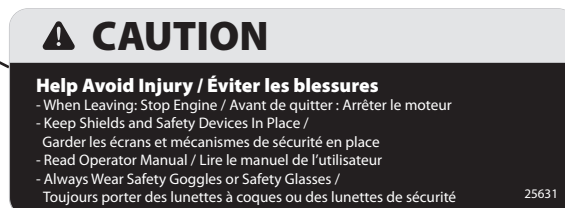


24940



25631

AUTOCOLLANT ATTENTION



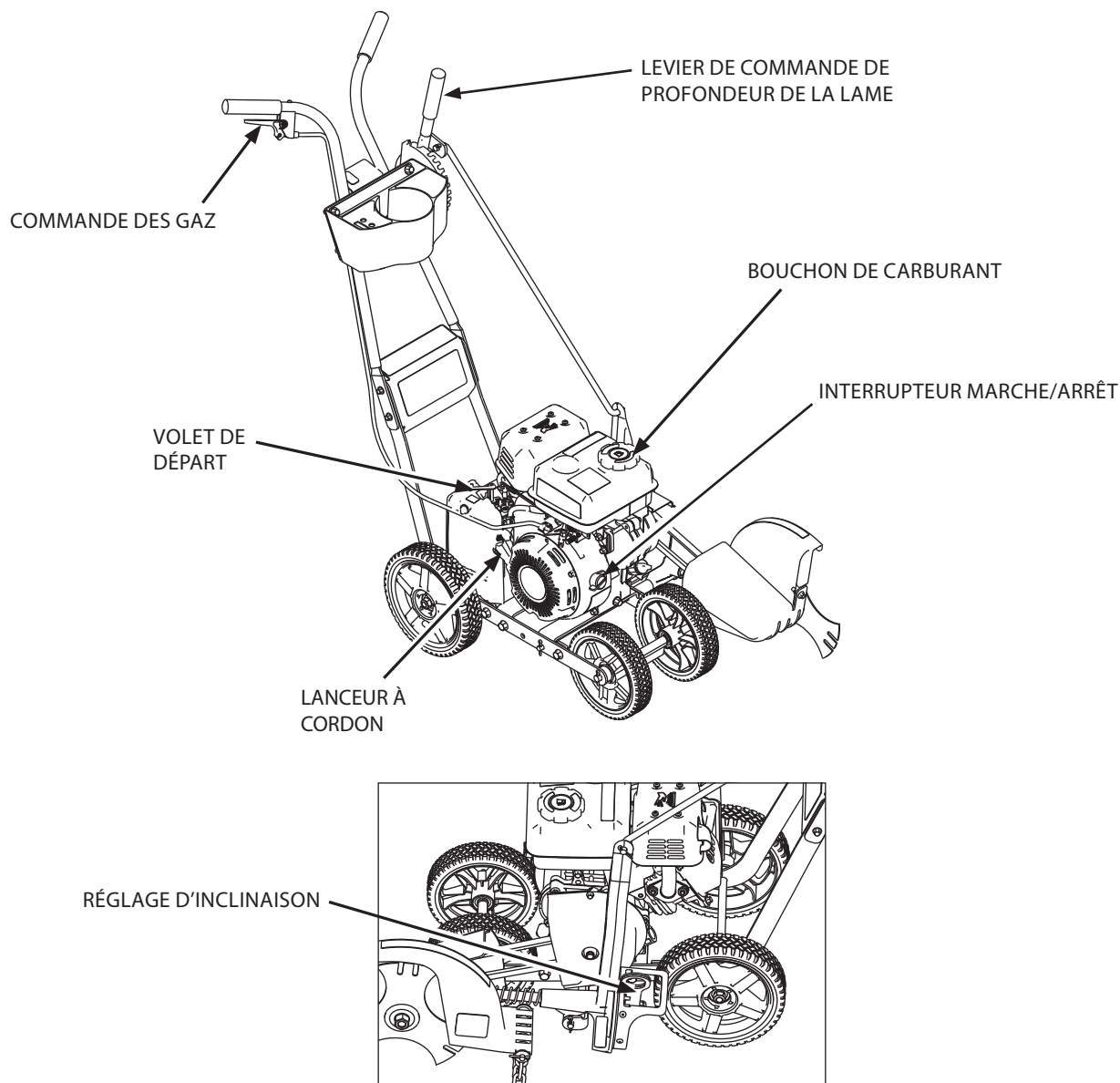
25631

FONCTIONNALITÉS ET COMMANDES

Fonctions de commande

L'information ci-dessous décrit brièvement la fonction des commandes individuelles. L'utilisation suppose une utilisation combinée de plusieurs commandes actionnées dans des ordres particuliers. Pour savoir quelle combinaison de commandes utiliser et dans quel ordre pour les diverses tâches, voir le chapitre FONCTIONNEMENT.

*Voir les caractéristiques et commandes du moteur dans le manuel de moteur.



Commande des gaz : Placée sur la poignée de droite; lorsqu'on serre la commande des gaz contre la poignée, le régime du moteur augmente et la lame du dresse-bordure se met en rotation. Lorsqu'on relâche la commande des gaz, le moteur revient au ralenti et la lame cesse de tourner.

Levier de commande de profondeur de la lame : Le levier de commande de commande de profondeur de la lame en haut à gauche sur le guidon. Elle sert à régler la profondeur de coupe. Plus le levier de commande de profondeur est poussé vers l'avant et plus la lame du dresse-bordure taille profondément dans le sol.

Lanceur à cordon : Le lanceur à cordon s'utilise pour démarrer le moteur.

Roue pour trottoir (en option) : La roue pour trottoir permet un réglage de hauteur en cours d'utilisation.

DONNÉES TECHNIQUES

MARQUE DU MOTEUR	VIPER®
CYL. MOTEUR, TYPE	79 CC, 4 TEMPS
CAPACITÉ DU MOTEUR	COUPLE MAXIMAL 4,5 Nm (3,3 PI-LB)
CAPACITÉ DU RÉSERVOIR	2,0 L (0,53 GAL)
PROFONDEUR DE COUPE	89 MM (3,5 PO)
DIAMÈTRE DE LAME	23 CM (9 PO)
PROFONDEUR DE COUPE RÉGLABLE	OUI
ASSEMBLAGE REQUIS	OUI
PORTE-OUTIL ET GOBELET	OUI
EMBAYAGE CENTRIFUGE	OUI
ROUES À ROULEMENTS À BILLES	OUI
CONFORMITÉ CA (CARB) (50 ÉTATS)	CONFORMITÉ CARB
DIAMÈTRE DES PNEUS	7,5 PO À L'ARRIÈRE, 6,5 PO À L'AVANT
LARGEUR DES PNEUS	2,0 PO
MATÉRIAU DES PNEUS	PVC
TYPE DE ROUE	SANS AIR
POIDS NET	26 kg (57 lb)
POIDS BRUT	29 kg (64 lb)
DIMENSIONS ASSEMBLÉES	107 cm x 50 cm x 96 cm (42,2 po x 19,5 po x 37,7 po)
DIMENSIONS DE L'EMBALLAGE	74 cm x 39 cm x 53 mm (29,0 po x 15,3 po x 20,9 po)
TYPE DE DÉMARREUR	LANCEUR À CORDON (MANUEL)
GARANTIE DU CONSTRUCTEUR	LIMITÉE 5 ANS SUR LE PRODUIT
GARANTIE CONSTRUCTEUR DU MOTEUR	LIMITÉE 5 ANS SUR LE MOTEUR

REMARQUE : *Les données techniques sont correctes au moment de la mise sous presse et sont sujettes à modification sans préavis.*

ACCESSOIRES

Les accessoires peuvent s'obtenir auprès d'un concessionnaire agréé *Earthquake*® ou directement auprès d'*Earthquake*. Toujours utiliser des accessoires d'origine *Earthquake*.

ASSEMBLAGE

DÉBALLAGE

1. Mettre le manuel de l'utilisateur et le sachet de pièces de côté. Avec précaution, soulever la cale en mousse supérieure hors de la caisse, sortir toutes les pièces en vrac à la fois du dessus et du dessous de l'emballage en mousse.
2. Contenu des sachets de pièces.

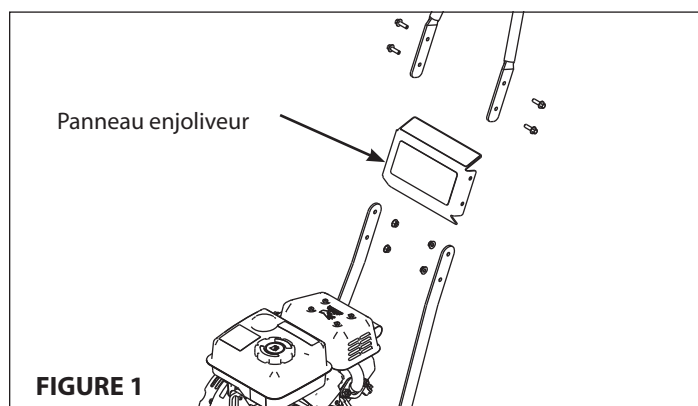
REP.	DESCRIPTION	23275 QTÉ
1	VIS M8 X 25	3
2	VIS M8 X 30	1
3	VIS M6 X 20	4
4	VIS M8 X 20	1
5	ÉCROU M8	5
6	ÉCROU M6	4
7	ÉCROU M10	2
8	GOUPILLE FENDUE 2 MM	6
9	BAGUE D'ESPACEMENT AXE	4
10	BAGUE ESPACEM. POSITION DE ROUE	1
11	ÉQUERRE DOUBLE	1
12	RONDELLE M12	1

Remarque : Veiller à bien sortir toutes les pièces des logements à l'intérieur et sur le dessous de l'emballage en mousse.

INSTRUCTIONS D'ASSEMBLAGE

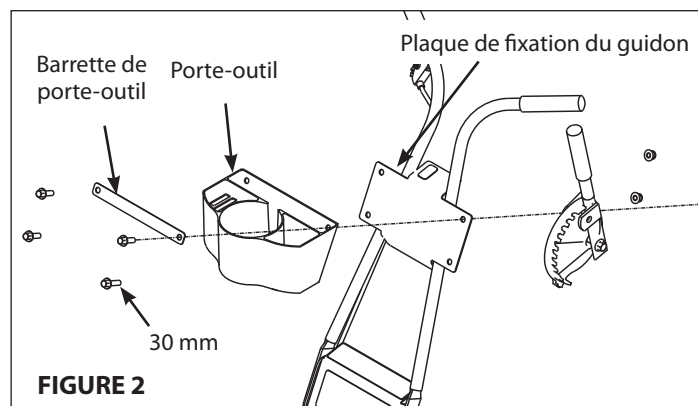
MONTER LE GUIDON

1. Placer le panneau enjoliveur entre les points de fixation du guidon inférieur. Placer les branches de guidon supérieures sur l'extérieur des points de fixation du guidon inférieur. Attacher les branches de guidon et panneau enjoliveur au support de guidon avec 4 vis M6X20 et 4 écrous M6. **VOIR FIGURE 1.**



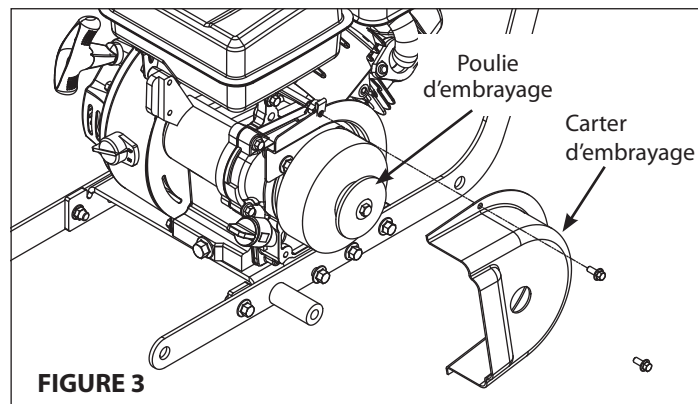
MONTER LE PORTE-OUTIL ET LES COMMANDES DE RÉGLAGE DE HAUTEUR

2. Placer la barrette de porte-outil sur l'avant du porte-outil. Placer ensuite le porte-outil sur l'avant de la plaque de fixation du guidon. Placer la commande de hauteur de lame sur l'arrière de la plaque de fixation du guidon. Attacher la barrette de porte-outil, le porte-outil et la commande de hauteur de lame au guidon avec 3 vis M8X25, 1 vis M8X30 et 4 écrous M8. La vis longue M8x30 mm se place en bas à gauche du porte-outil, vu de la position de conduite. **VOIR FIGURE 2.**



MONTER LA TÊTE DE COUPE

3. Retirer le carter d'embrayage. Raccorder la courroie du moteur à la poulie d'embrayage, puis placer la tête de coupe sur le point de pivot du support de moteur. La courroie doit être montée sur le moteur et la tête de coupe. **VOIR FIGURE 3.** Placer l'équerre double sur la tête de coupe. Enfiler la tige de pivot à travers l'équerre double, la tête de coupe et le support de moteur. Attacher la tige de pivot au support de moteur avec 2 goupilles fendues de 2 mm, de part et d'autre de la tige. Attacher l'équerre double au support de moteur avec 1 vis M8 x 20 et 1 écrou M8. **VOIR FIGURE 4 ET FIGURE 5. NOTER L'ORIENTATION DE L'ÉQUERRE DOUBLE À LA FIGURE 5.**



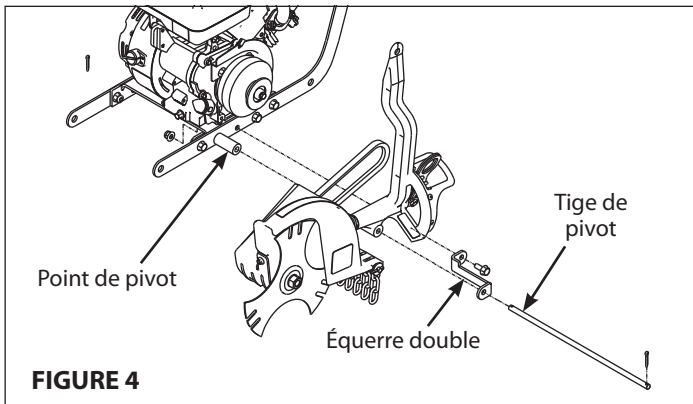


FIGURE 4

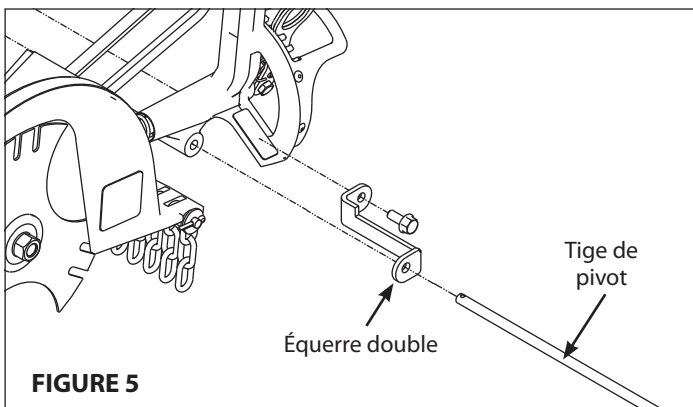


FIGURE 5

4. Remonter le carter d'embrayage.

MONTER LA LAME

5. Retirez l'écrou et la rondelle de lame de la tête de coupe.
6. Enfiler la lame sur l'arbre de la tête de coupe.
7. Poser la rondelle et l'écrou de lame. La rondelle de lame doit être placée avec la face concave vers la lame. Serrer l'écrou. Pour empêcher l'arbre de la tête de coupe de tourner, resserrer le milieu de la courroie d'une main tout en serrant l'écrou de l'autre. **VOIR FIGURE 6.**

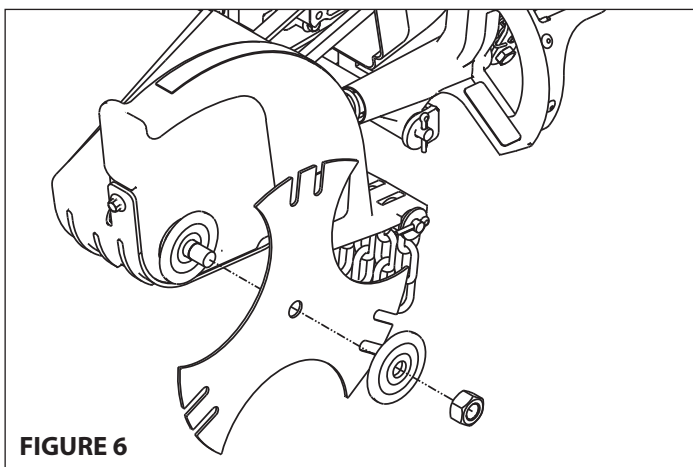


FIGURE 6

MONTER LES ROUES

8. Placer l'axe avant au niveau des points de montage avant sur le support de moteur. Enfiler l'axe avant dans le support de moteur. Assembler les roues avant dans l'ordre suivant :

1. Bague d'espacement d'axe
2. Roue avant (côté roulement face à la bague d'espacement)
3. Roue avant (côté roulement face au côté opposé à l'autre roue)
4. Bague d'espacement d'axe

VOIR FIGURE 7. Attacher l'axe avant au support de moteur avec 2 rondelles M12 et 2 goupilles fendues de 2 mm.

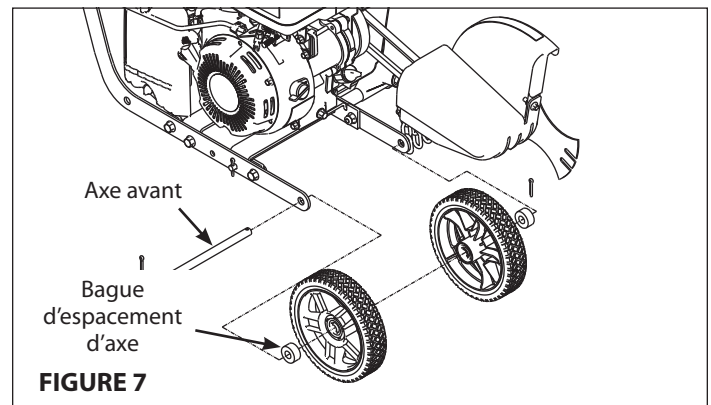


FIGURE 7

9. Glisser les roues avant vers les deux extrémités de l'axe avant. Poser l'entretoise de roues sur l'axe avant entre les deux roues. **VOIR FIGURE 8.**

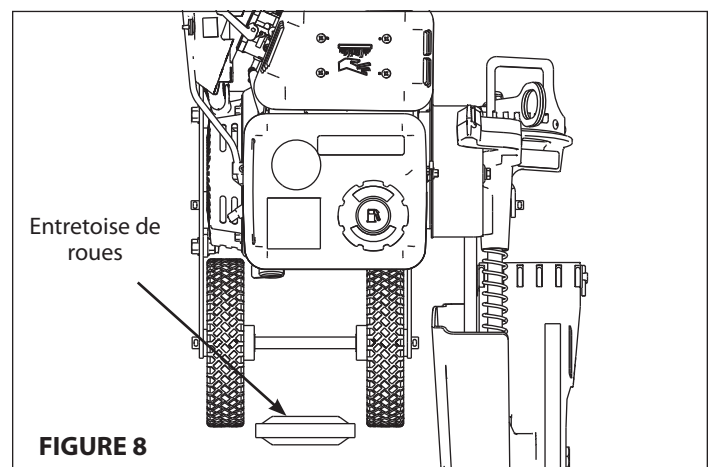
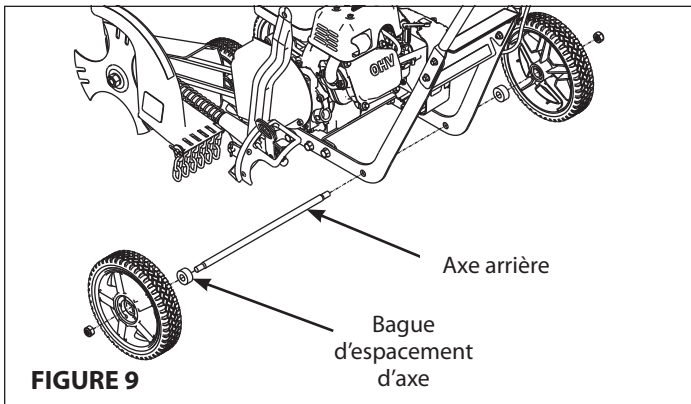


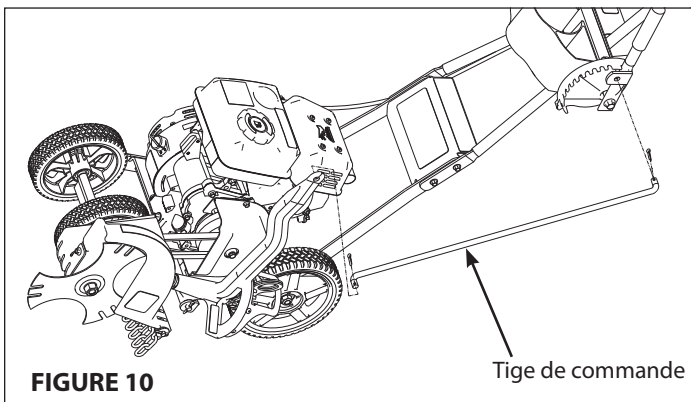
FIGURE 8

10. Enfiler une roue arrière sur l'axe arrière. Enfiler une bague d'espacement sur l'axe arrière jusqu'à la roue. La roue arrière doit avoir son côté roulement face à la bague d'espacement. Placer l'axe arrière au niveau des points de montage arrière du support de moteur. Enfiler l'axe arrière dans le support de moteur et le faire ressortir de l'autre côté. Enfiler une bague d'espacement sur l'axe arrière puis l'autre roue arrière. Attacher l'axe arrière avec 2 écrous M10, un de chaque côté. **VOIR FIGURE 9.**



MONTER LA TIGE DE COMMANDE

- Insérer la tige de commande dans la tête de coupe de telle façon que le trou pour la goupille fendue soit à l'extérieur de la tête de coupe, du côté opposé au moteur. Insérer l'autre extrémité de la tige de commande dans le levier de réglage de hauteur. Attacher les deux extrémités de la tige de commande avec 2 rondelles M10 et 2 goupilles fendues de 2 mm. **VOIR FIGURE 10.**



FONCTIONNEMENT GÉNÉRAL

RÉGLAGE D'INCLINAISON DE LA TÊTE DE COUPE

L'inclinaison de la tête de coupe peut être réglée au moyen du levier de réglage d'inclinaison de la tête de coupe. La lame peut être réglée à un angle de 110° à 70° par rapport au sol.

La lame peut aussi être placée à un angle de 0° par rapport au sol. Avant de régler la lame à un angle de 0°, les roues avant doivent être déplacées à l'écart de la tête de coupe.

Détacher l'entretoise de roues de l'axe avant. Glisser les deux roues vers le côté opposé à la tête de coupe. Remonter l'entretoise de roues sur l'axe avant entre la roue avant et la bague d'espacement d'axe la plus proche de la tête de coupe.

AVERTISSEMENT

LE MONOXYDE DE CARBONE GAZEUX EST TOXIQUE. PLACER LE MOTEUR DANS UN ENDROIT BIEN AÉRÉ, À L'EXTÉRIEUR, POUR ÉVITER TOUTE INTOXICATION AU MONOXYDE DE CARBONE. L'INHALATION PEUT PROVOQUER LA PERTE DE CONSCIENCE ET LA MORT.

NE JAMAIS LAISSER LE MOTEUR EN MARCHÉ SANS SURVEILLANCE. ARRÊTER LE MOTEUR APRÈS UTILISATION.

PLACER LE MOTEUR DANS UN ENDROIT BIEN AÉRÉ, TOUJOURS À L'EXTÉRIEUR, POUR ÉVITER TOUTE INTOXICATION AU MONOXYDE DE CARBONE.

SE METTRE À L'ÉCART DES FLAMMES OU ÉTINCELLES POUR ÉVITER D'ENFLAMMER LES VAPEURS ÉVENTUELLEMENT PRÉSENTES.

DÉMARRER ET ARRÊTER LE MOTEUR

Remarque : L'utilisation du moteur en position fortement inclinée entraîne une perte de graissage et le grippage du moteur.

VOIR LE GUIDE DE PENTE À LA PAGE 15.

Lire les sections « Avertissements et mesures de précaution » et « Contrôle avant utilisation » avant de démarrer le moteur.

Remarque : Faire le plein de carburant et vérifier le niveau d'huile.

Démarrage du moteur

1. Éliminer toutes les saletés de l'admission et des ailettes de refroidissement pour permettre une bonne circulation d'air.
VOIR FIGURE 13.
2. Régler le levier du volet de départ comme suit :
 - Si le moteur est froid ou que la température ambiante est basse, mettre le levier du volet de départ en position **ÉTRANGLÉ**. **VOIR FIGURE 14.**
 - Si le moteur est chaud ou que la température ambiante est élevée, mettre le levier du volet de départ en position **SEMI-ÉTRANGLÉ** ou **MARCHÉ**. **VOIR FIGURES 15 ET 16.**

ATTENTION

NE PAS ARRÊTER LE MOTEUR EN PLAÇANT LA COMMANDE DE VOLET DE DÉPART EN POSITION ÉTRANGLÉ. CELA PEUT PROVOQUER DES RATÉS ET ENDOMMAGER LE MOTEUR.

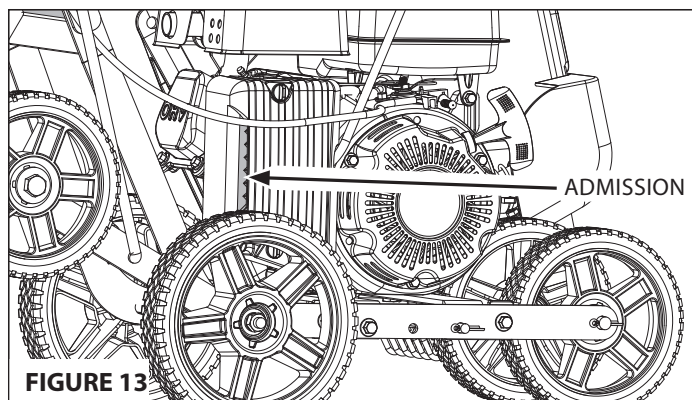


FIGURE 13

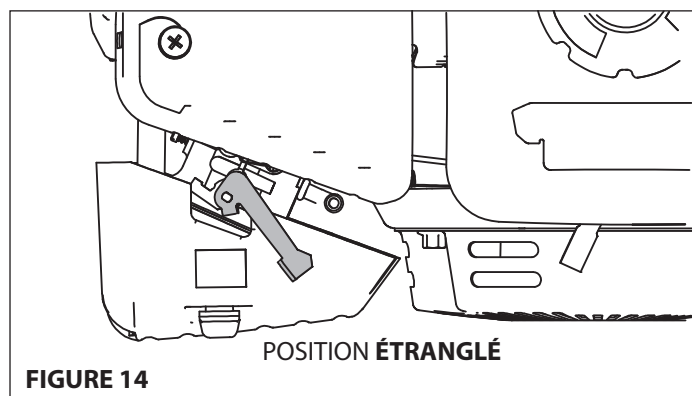


FIGURE 14

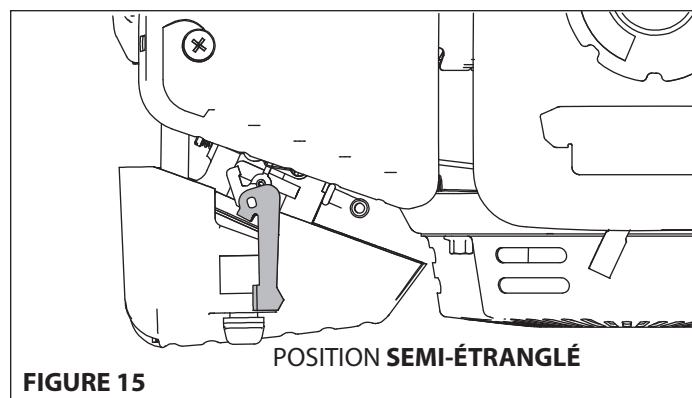


FIGURE 15

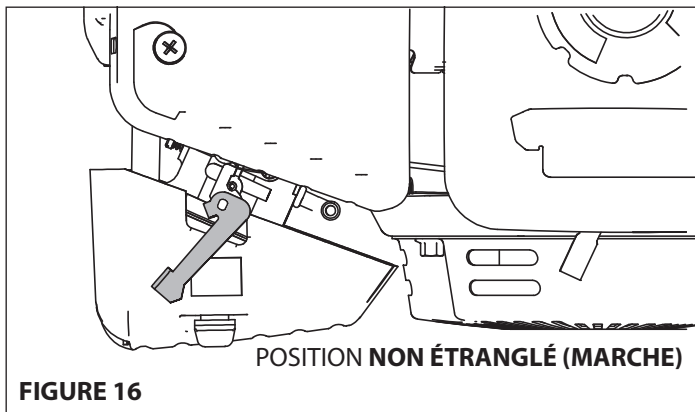


FIGURE 16

3. Mettre l'interrupteur ON/OFF (marche/arrêt) en position **ON**. **VOIR FIGURE 17.**
4. Saisir la poignée du lanceur et tirer lentement jusqu'à sentir une résistance. Sans laisser le cordon du lanceur se rétracter, le tirer d'un mouvement rapide. **NE PAS** tirer le cordon jusqu'au bout. Le laisser revenir très lentement à sa position de repos. Répéter cette étape jusqu'à ce que le moteur démarre.
5. Une fois que le moteur se met en marche, mettre le levier du volet de départ en position **SEMI-ÉTRANGLÉ**. **VOIR FIGURE 15.**
6. Laisser le moteur fonctionner pendant 5 à 10 secondes en position « semi-étranglé » jusqu'à ce qu'il ait chauffé.
7. Après avoir démarré le moteur, amener lentement le levier du volet de départ en position **MARCHÉ**. **VOIR FIGURE 16.**

Pour arrêter le moteur :

1. Mettre l'interrupteur ON/OFF (marche/arrêt) en position **OFF**. **VOIR FIGURE 18.**
2. Tirer la poignée du lanceur lentement jusqu'à sentir une résistance et la ramener en position de repos. Cela empêche l'humidité extérieure de pénétrer dans la chambre de combustion.

Fonctionnement du coupe-bordure :

1. Actionner la commande des gaz sur le guidon pour augmenter le régime du moteur. La montée en régime du moteur entraîne la rotation de la lame.
2. Laisser la lame atteindre sa vitesse maximale avant de l'engager dans la bordure à dresser.
3. Relâcher la gâchette de commande des gaz pour arrêter la lame. Le moteur reste en marche lorsque la lame ne tourne pas. Si la lame continue de tourner alors que la commande des gaz est relâchée, communiquer avec le service après-vente pour la régler.
4. Ne pas forcer durant la coupe. Avancer lentement pour permettre à la lame de bien couper. Une charge excessive sur le moteur endommagerait la machine.

ATTENTION

SI LE MOTEUR NE DÉMARRE PAS APRÈS AVOIR SUIVI LA PROCÉDURE DE DÉMARRAGE, COMMUNIQUER AVEC NOTRE SERVICE APRÈS-VENTE AU 800-345-6007.

LE CORDON DU LANCEUR PEUT PROVOQUER UNE BRUSQUE TRACTION INATTENDUE EN DIRECTION DU MOTEUR. VEILLER À SUIVRE LES INSTRUCTIONS POUR ÉVITER LES BLESSURES.

NE JAMAIS LAISSER LE MOTEUR EN MARCHÉ SANS SURVEILLANCE. L'ARRÊTER APRÈS CHAQUE UTILISATION.

NE JAMAIS PORTER LA MACHINE D'UN ENDROIT À UN AUTRE AVEC LE MOTEUR EN MARCHÉ.

TOUJOURS PORTER UNE PROTECTION AUDITIVE.

NE PAS DÉMARRER LE MOTEUR EN CAS DE DÉVERSEMENT ACCIDENTEL DE CARBURANT. ESSUYER LE CARBURANT DÉVERSÉ ET LAISSER SÉCHER.

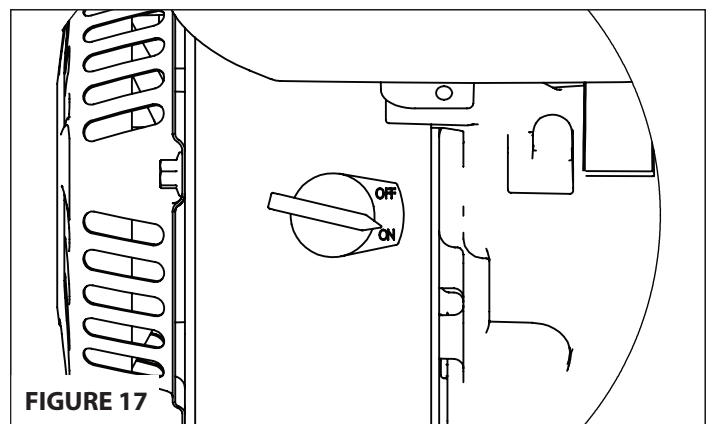


FIGURE 17

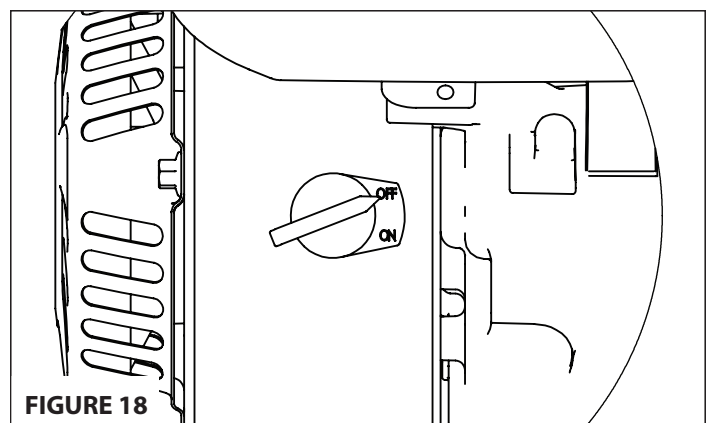


FIGURE 18

CONSEILS DE DRESSAGE DES BORDURES

1. Amener le dresse-bordure jusqu'à l'endroit souhaité pour démarrer le dressage de bordure, en veillant à placer la roue arrière gauche sur une surface dure et la lame au-dessus de la zone à trancher.
2. Abaisser le levier de commande de lame de façon à obtenir la profondeur de coupe souhaitée. Plus le levier de commande de profondeur de lame est poussé vers l'avant et plus la lame coupe bas ou profondément dans la terre.
3. Lors du dressage de nouvelles bordures de pelouse, plusieurs passes peuvent s'avérer nécessaires pour obtenir la profondeur souhaitée en abaissant progressivement la lame.
4. Pour obtenir de bons résultats, progresser lentement le long de la bordure à dresser. Déplacer lentement le dresse-bordure vers d'avant en arrière dans la surface à trancher, en veillant à bien garder la roue arrière gauche sur la surface dure et la lame dans la ligne de coupe, près du bord de la surface dure mais sans la toucher.
5. Une fois que le dressage de la bordure considérée est terminé, ramener le levier de commande de lame vers l'arrière jusqu'en position HAUT, se déplacer jusqu'à la bordure suivant à dresser et reprendre à l'étape 1.



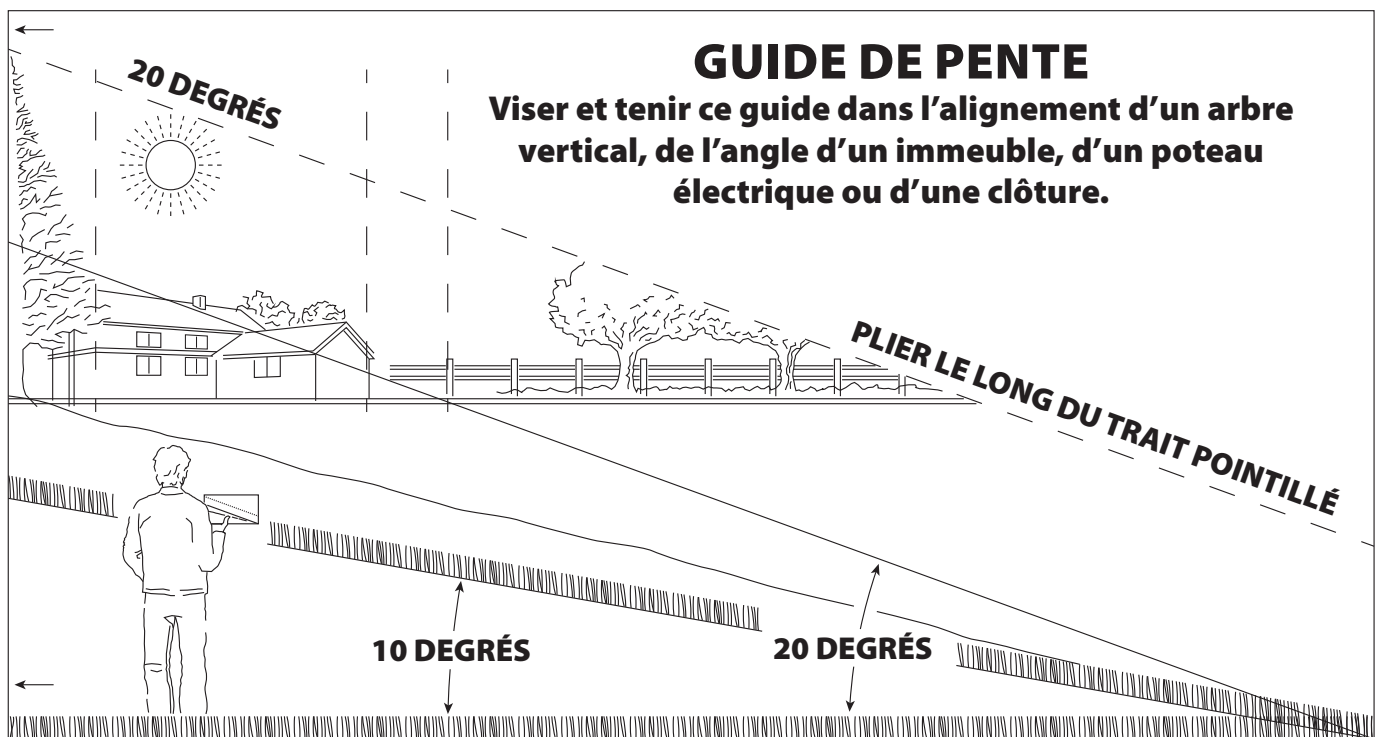
AVERTISSEMENT!

LA LAME DE COUPE EN ROTATION PEUT PROJETER DES OBJETS ET PROVOQUER DES BLESSURES CORPORELLES. TENIR LES PERSONNES PRÉSENTES À L'ÉCART ET NE PAS UTILISER LA MACHINE SANS SES CARTERS DE PROTECTION.



AVERTISSEMENT!

NE PAS ABAISSER LA LAME AU-DESSUS DE BÉTON, ASPHALTE, PIERRES OU AUTRE SURFACE SEMBLABLE. LA LAME PEUT HEURTER LA SURFACE ET PROVOQUER DES BLESSURES CORPORELLES OU DES DÉGÂTS MATÉRIELS.



Utiliser ce guide pour déterminer l'angle de la pente. **Ne pas travailler dans une pente supérieure à 15 degrés.**

- Une pente de 10 degrés est un terrain qui s'élève d'environ 1,76 m en hauteur sur 10 mètres de distance.
- Une pente de 15 degrés est un terrain qui s'élève d'environ 2,68 m en hauteur sur 10 mètres de distance.



AVERTISSEMENT

FAIRE PREUVE DE GRANDE PRUDENCE EN PERMANENCE ET ÉVITER LES VIRAGES OU MANŒUVRES BRUSQUES. RESPECTER LES AUTRES INSTRUCTIONS DANS CE MANUEL CONCERNANT LA SÉCURITÉ DU TRAVAIL EN PENTE. FAIRE PREUVE DE BEAUCOUP DE PRÉCAUTION LORS DE L'UTILISATION SUR OU À PROXIMITÉ DE PENTES OU D'OBSTRUCTIONS.

ENTRETIEN

ENTRETIEN DU MOTEUR

Voir la description détaillée de toutes les opérations d'entretien liées au moteur dans le manuel de l'utilisateur du moteur fourni avec le dresse-bordure.

CHANGER UNE LAME ENDOMMAGÉE OU USÉE :

⚠ ATTENTION

LES ARÊTES TRANCHANTES DE LA LAME DE DRESSE-BORDURE PEUVENT COUPER LA PEAU DURANT L'ENTRETIEN OU LE RÉGLAGE DE LA LAME. COUVRIR LES ARÊTES TRANCHANTES DE LA LAME COMME IL SE DOIT POUR ÉVITER LES BLESSURES CORPORELLES.

1. Mettre l'interrupteur du moteur en position d'arrêt.
2. Débrancher le câble de la bougie et le mettre de côté.
3. Desserrer l'écrou qui tient la lame en place. Retirer l'écrou et la rondelle de blocage. **Voir Figure 19.**
4. Remplacer la lame par une lame neuve et l'attacher avec une rondelle de blocage et un écrou.
5. Rebrancher le câble de bougie.

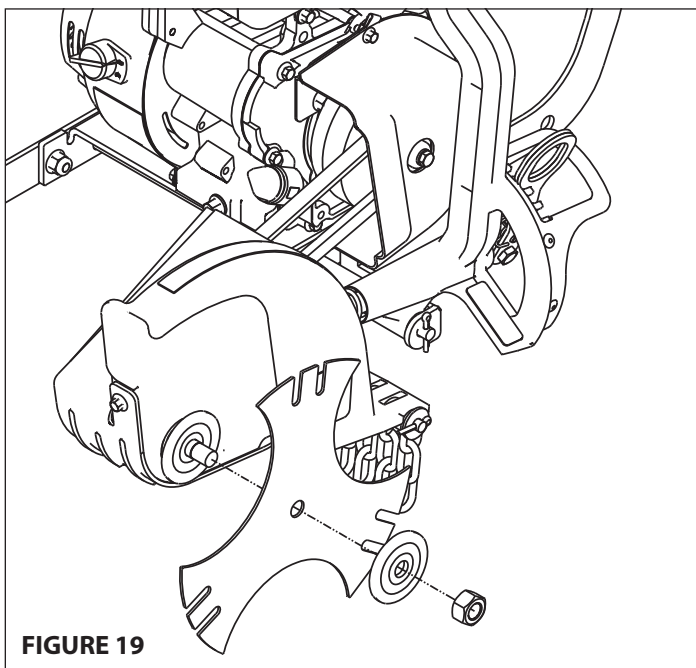


FIGURE 19

LUBRIFICATION

ROUES

Lubrifier les roues et les roulements au moins une fois par saison avec une huile fluide. En outre, si les roues sont démontées pour une raison quelconque, lubrifier les filetages de l'axe et la surface intérieure des roues avec une huile fluide.

POINTS DE PIVOT

Lubrifier les points de pivot du levier de commande de profondeur de la lame et, le cas échéant, le levier de commande de hauteur de la roue de trottoir avec une huile fluide au moins une fois par saison.

⚠ AVERTISSEMENT

UN MAUVAIS ENTRETIEN OU UN PROBLÈME NON RECTIFIÉ AVANT LA MISE EN MARCHÉ PEUVENT PROVOQUER UN MAUVAIS FONCTIONNEMENT. TOUJOURS SUIVRE LES RECOMMANDATIONS ET CALENDRIERS DE CONTRÔLE ET D'ENTRETIEN INCLUS DANS CE MANUEL DE L'UTILISATEUR.

VÉRIFIER RÉGULIÈREMENT LE SERRAGE DES VIS ET ÉCROUS DU MOTEUR. LES GARDER BIEN SERRÉS.

LA TEMPÉRATURE DU SILENCIEUX ET DES ZONES AVOISINANTES PEUT DÉPASSER 65 °C (150 °F). ÉVITER DE TOUCHER CES SURFACES.

ÉVITER LES DÉMARRAGES ACCIDENTELS :

- **LE MOTEUR DOIT ÊTRE À L'ARRÊT ET FROID.**
- **LE CÂBLE DE BOUGIE DOIT ÊTRE DÉBRANCHÉ DE LA BOUGIE AVANT TOUT CONTRÔLE OU RÉGLAGE DU MOTEUR OU DE LA MACHINE.**

POUR ÉCARTER LES RISQUES DE BLESSURE GRAVE OU DE MORT, VEILLER À RESPECTER TOUTES CES MISES EN GARDE.

TRANSPORT ET ENTREPOSAGE

1. S'il y a du carburant dans le réservoir, transporter la machine dans un véhicule ouvert en position verticale.
2. Si un véhicule fermé doit être utilisé, transférer le carburant dans un bidon d'essence rouge homologué. NE PAS siphonner par la bouche.
3. Essuyer tout déversement de carburant sur le moteur et le dresse-bordure. Laisser sécher.

ENTREPOSAGE DE LONGUE DURÉE (30 JOURS OU PLUS SANS UTILISATION)

Si le dresse-bordure ne doit pas être utilisé pendant plus d'un mois, le préparer pour l'entreposage de longue durée.

INSTRUCTIONS D'ENTREPOSAGE DE LONGUE DURÉE

1. Ajouter du stabilisateur de carburant conformément aux instructions du fabricant.
2. Faire fonctionner le moteur pendant 10 à 15 minutes afin que le stabilisateur atteigne le carburateur.
3. Vider le restant de carburant du réservoir dans un récipient à carburant homologué.
4. Nettoyer tous les débris du moteur et du protège-lame du dresse-bordure.



ATTENTION

POUR ÉCARTER LES DANGERS DE BLESSURE OU DE MORT, NE JAMAIS SIPHONNER LE CARBURANT PAR LA BOUCHE.

NE JAMAIS ENTREPOSER LE MOTEUR AVEC DU CARBURANT DANS LE RÉSERVOIR À L'INTÉRIEUR D'UN BÂTIMENT. CELA PRÉSENTE UN RISQUE D'INFLAMMATION DU CARBURANT OU DE SES VAPEURS PAR DES ÉTINCELLES POTENTIELLES.

DÉPANNAGE

Chez *Earthquake*®, nous intégrons la qualité et la durabilité dans la conception de nos produits; mais toute la conception soignée et tout l'entretien attentionné ne sauraient garantir une existence totalement exempte de réparation de ce dresse-bordure *Earthquake*®. La majorité des problèmes sont mineurs et aisément résolus en suivant les indications du guide de dépannage de cette section.

Ce guide de dépannage aide à diagnostiquer les causes des problèmes les plus courants et à identifier leurs solutions.

Pour les réparations plus compliquées, il est préférable de s'adresser à un centre de réparation agréé ou directement à *Earthquake*. *Earthquake* effectuera les réparations nécessaires si aucun centre de réparation n'est disponible.

Nous sommes toujours heureux de répondre à toute question ou d'aider à trouver l'assistance nécessaire. Pour commander des pièces ou se renseigner sur la garantie, communiquer avec nous par téléphone ou par courriel en utilisant les coordonnées dans la présente section.

PIÈCES DE RECHANGE

Utiliser exclusivement des pièces de rechange *Earthquake*® homologuées.

COMMANDER DES PIÈCES DE RECHANGE

Les pièces peuvent s'obtenir directement auprès de l'usine. Pour commander des pièces, visiter www.getearthquake.com ou appeler le 1-800-345-6007.

Pour les questions plus générales, envoyer un courriel à info@ardisam.com.

Veiller à inclure les informations suivantes avec la commande :

- 1) Numéro de référence des pièces
- 2) Description des pièces
- 3) Quantité
- 4) Numéro de modèle et numéro de série

GUIDE DE DÉPANNAGE

PROBLÈME	CAUSE POSSIBLE	SOLUTION / MESURE CORRECTIVE
Le moteur ne démarre pas	1. Interrupteur d'alimentation en position d'arrêt	1. Mettre l'interrupteur en position ON (marche).
	2. Câble de bougie débranché	2. Brancher le câble sur la bougie
	3. Panne de carburant	3. Refaire le plein
	4. Bougie humide, défectueuse ou d'écartement incorrect.	4. Nettoyer, changer ou régler la bougie
	5. Carburant vicié	5. Vidanger le carburant usagé et le remplacer par du frais. Utiliser du stabilisateur de carburant à titre préventif.
Le moteur a des ratés, se noie durant la marche	1. Filtre à air sale	1. Nettoyer ou changer le filtre à air
	2. Volet de départ partiellement engagé	2. Désengager le volet de départ
	3. Carburateur sale	3. Appeler le service après-vente
Le moteur est difficile à démarrer	1. Carburant vicié	1. Vidanger le carburant usagé et le remplacer par du frais. Utiliser du stabilisateur de carburant à titre préventif.
	2. Câble de bougie lâche	2. S'assurer que le câble de bougie est solidement attaché à la bougie
	3. Carburateur sale	3. Appeler le service après-vente
Le moteur a des ratés ou manque de puissance	1. Réservoir ou filtre à carburant encrassé	1. Enlever et nettoyer
	2. Filtre à air encrassé	2. Nettoyer ou remplacer
	3. Bougie humide, défectueuse ou d'écartement incorrect.	3. Nettoyer, changer ou régler la bougie
	4. Pointeau de carburateur coincé en position ouverte	4. Nettoyer le carburateur
Le moteur tourne, puis cale	1. Bouchon de carburant hermétique à l'air	1. Déboucher ou changer le bouchon de carburant
Régime moteur trop élevé	1. Réglage du régime nécessaire	1. Appeler le service après-vente
La lame tourne lorsque le moteur est au ralenti	1. Régime de ralenti trop élevé	1. Baisser le régime de ralenti
	2. Ressort d'embrayage cassé.	2. Changer l'embrayage
La lame ne tourne pas	1. Objet étranger coincé contre la lame	1. Dégager l'obstruction
La lame ne coupe pas correctement	1. Lame usée	1. Changer la lame
	2. La lame a du jeu	2. Changer la rondelle de blocage, serrer l'écrou

Communiquer avec un service de réparation si les solutions ci-dessus ne résolvent pas le problème.



GROUNDBREAKING POWER EQUIPMENT

1730 Industrial Avenue
PO Box 666
Cumberland, WI 54829

Phone, Téléphone : (800) 345-6007
Fax, Télécopieur : (715) 822-2124
www.getearthquake.com