

Safety and Cautions

- *Never run the model on public roads or streets, as it could interfere with traffic.
- *To prevent property damage and/or personal injury. Never run the model in crowded areas, near or toward people or animals.
- *Never run the model near rivers, ponds or lakes.
- *Make sure that no one else is using the same frequency in your running area. Using the same frequency at the same time, can cause loss of control with R/C model, resulting in serious accidents.

*To avoid a runaway R/C model or loss of control always follow the procedure below;

1. Fully extend transmitter antenna.
2. Switch the transmitter on.
3. Switch on the R/C model.

- *Follow reverse procedure to shut down.
- *Never touch or block rotating tire.
- *Never run R/C model in the rain or in puddles, as water may cause trouble with R/C model.
- *Motor and battery get very hot after running. Take care when handle them.
- *Retract transmitter antenna when not in use.
- *Remove the batteries from model and transmitter when they are not in use.



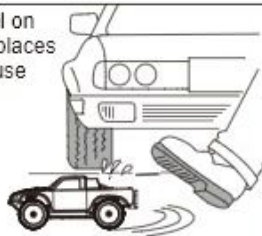
Caution when handling batteries

- *Do not dismantle the battery or charger and do not cut and battery cables. Altering the battery may cause short-circuit and/or damage to the product.
- *Charge battery with compatible charger following proper procedure outlined in the instructions. Do not modify charger or charge battery in improper way.
- *Do not recharge battery if it is still warm from use as it may damage the battery. Allow the battery to cool off prior to recharging.
- *Make sure to disconnect charger from R/C model and electrical outlet when not in use.
- *Remove transmitter battery when not using it for a long period of time as it may leak and damage transmitter.
- *Never incinerate used batteries, as they can explode causing serious accidents.



Safety precautions

Do not operate the model on public roads, in crowded places or near infants, it may cause accidents or injury.



The product includes small and sharp parts, assemble and store this product only in places out of the reach of children.



The front end of the antenna may be dangerous, do not aim it toward faces.



During and after operation, the motor will be hot. Please do not touch it until it has had time to cool down.



When multiple vehicles are being operated nearby, ensure that each vehicle and controller pair are set to different frequencies. Or else the car will lose control and may lead to damage, serious accidents or injury.



Troubleshooting

Description	Cause	Solution
The car does not operate at all.	Transmitter or receiver is off.	Turn on both transmitter and receiver.
	Batteries are not installed properly in the transmitter.	Place batteries in the transmitter properly.
	The drive battery is not charged enough.	Charge the drive battery.
The car does not follow your operation and control distance is not long enough.	Someone else is using the same radio frequency as you are using.	Change your radio frequency to the one no one else is using, wait until the driver using the same radio frequency finishes driving, or drive your car at a different place.
	There is not enough power in the transmitter or receiver batteries.	Replace the transmitter batteries with new ones and charge the drive battery.
	Antenna not fully tightened on the transmitter/not fully extend.	Make sure to insert the antenna into the transmitter and fully extend the antenna.

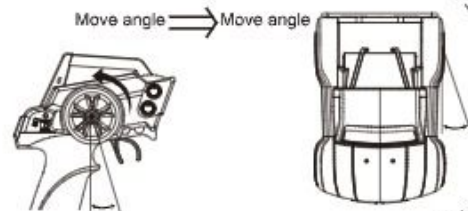


CAUTION

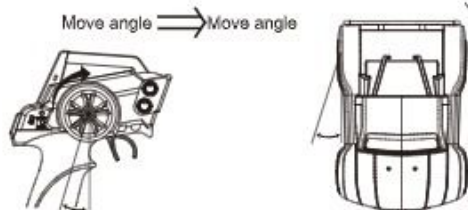
- * Please review the operation manual and packing explanation to install and use, some parts should be installed by adults.
- * The product contains small part, which may cause choking.
- * Never run the R/C model in the rain or wet areas, it may cause electronic parts to malfunction.
- * Dispose of the package appropriately and keep out of reach of children.
- * Inspect the RC car for damage to the charge, wire, plug, bodyshell or other parts prior to operation. If damage is found, repair the broken parts before use.
- * The charger, battery box and battery must be only be used with the designated Speed RC charging system.
- * This product must only be used with the original Speed RC charger.
- * This product may be dangerous to the children.

Proportional R/C Using Instruction

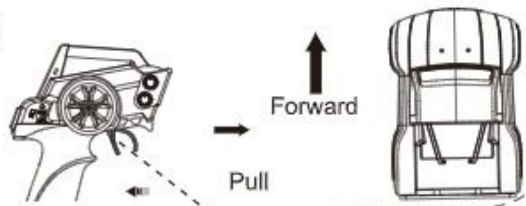
- ① Turn the steering wheel left, the car will turn left. Steering angle can be adjusted by increasing/decreasing the degree of wheel rotation.



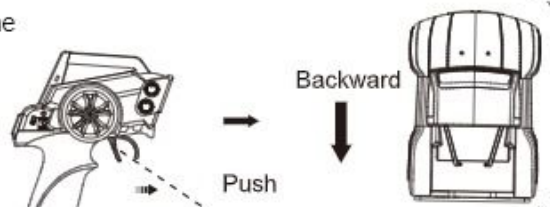
- ② Turn the steering wheel right, the car will turn right. Steering angle can be adjusted by increasing/decreasing the degree of wheel rotation.



- ③ Pull the throttle trigger backward, the car will drive forward. Adjusting the angle of throttle trigger can adjust forward speed of the car. To stop the car, quickly push the trigger forward.

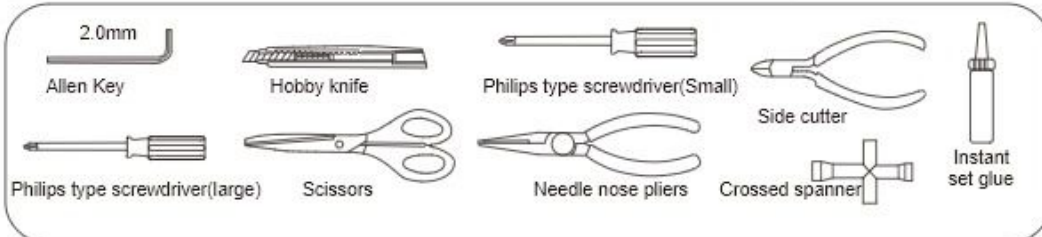


- ④ Loosen the trigger to allow it return the neutral position. Push the throttle trigger forward, the car will reverse. Adjusting forward angle of throttle trigger adjust reverse speed of the car.



Introduce the common tools and assemble the electron parts

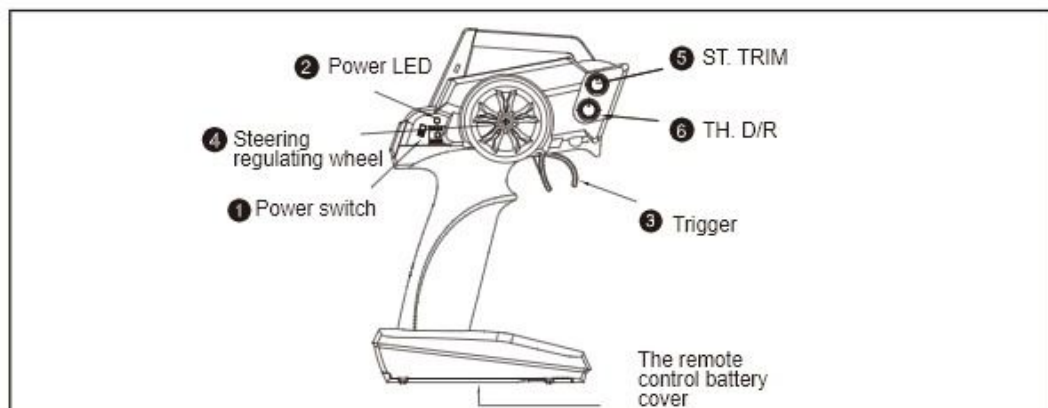
Tools needed for assembly



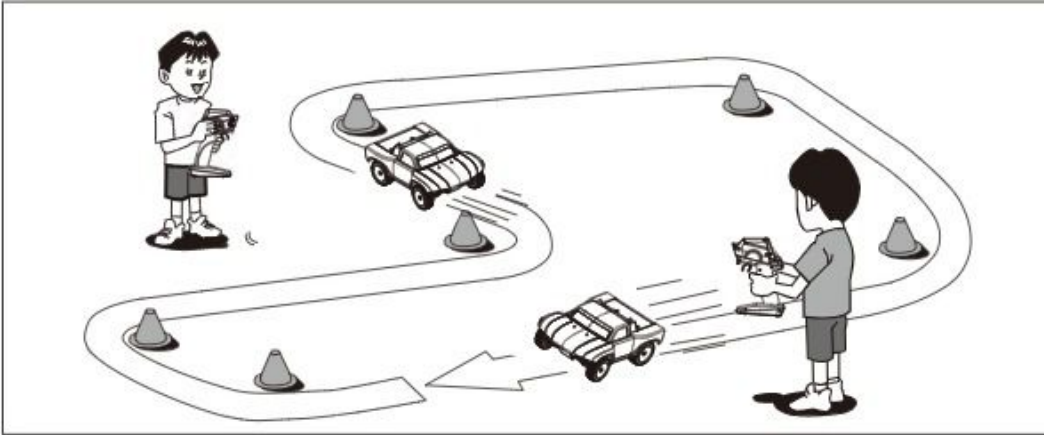
PRACTICE AND MAINTENANCE

Operating program

1. Turn on the power switch **1** on the remote and make sure the power indicator **2** flashes red, then turn on the model car's power switch.
2. Gently trigger the remote control to observe if the car can move forward and backward.
3. Turn the remote control steering wheel **4** to the left or right and make sure that the front wheel's steering follows the command.
4. The model car on the ground, and standing behind the model car, gently hook the remote control throttle trigger **3**, if the model car does not go straight, rotate the remote control front wheel trim **5**, the model car to the right side, the front wheel Turn the trim to the left, the model car leans to the left, and the front wheel trims to the right to rotate until the model car can go straight.
5. Throttle speed adjustment **6** can adjust the model car speed, rotate to the right, hook the trigger model car speed becomes faster, turn left, hook the trigger model car speed becomes slower.
6. If everything operates OK, the SPEED RC is ready to run.



Practice



Let's practice! Make an R/C car circuit at a wide and safe location using corner pylons (available separately), empty cans or such. Drive fast on straight section and slow down for curved sections.

Maintain



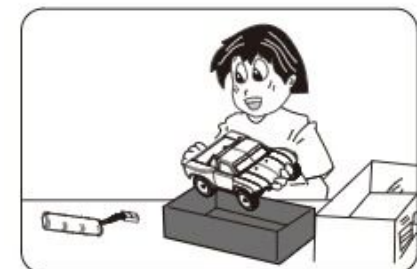
When the car is not in use, you should remove the battery from the car.



Completely remove sand, mud, dirt etc.

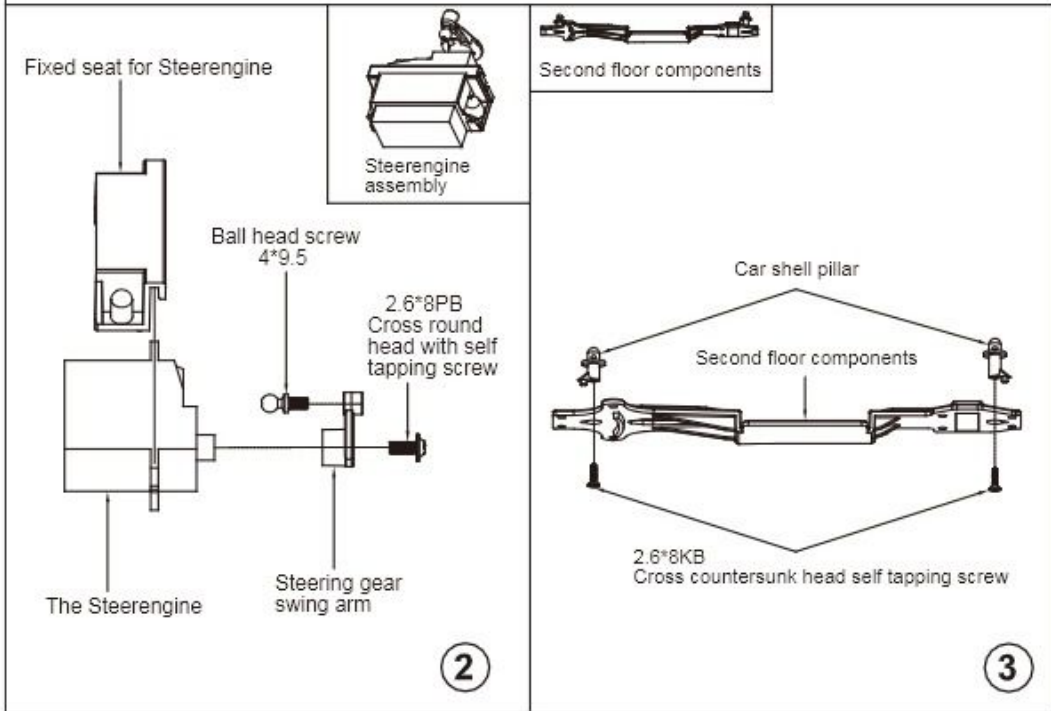
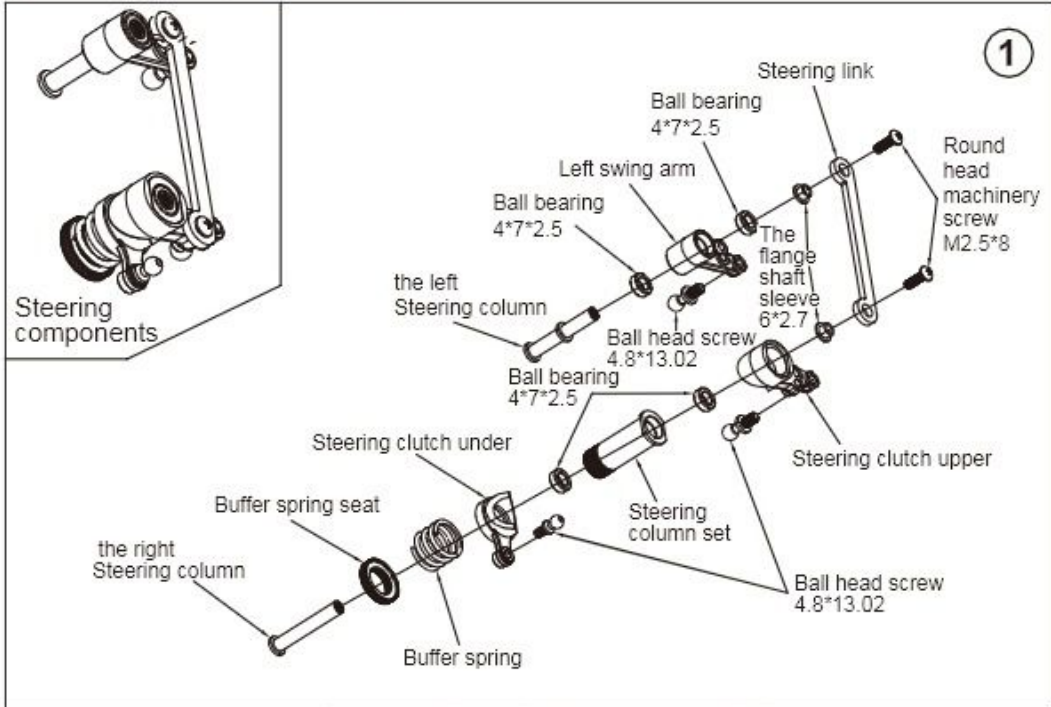


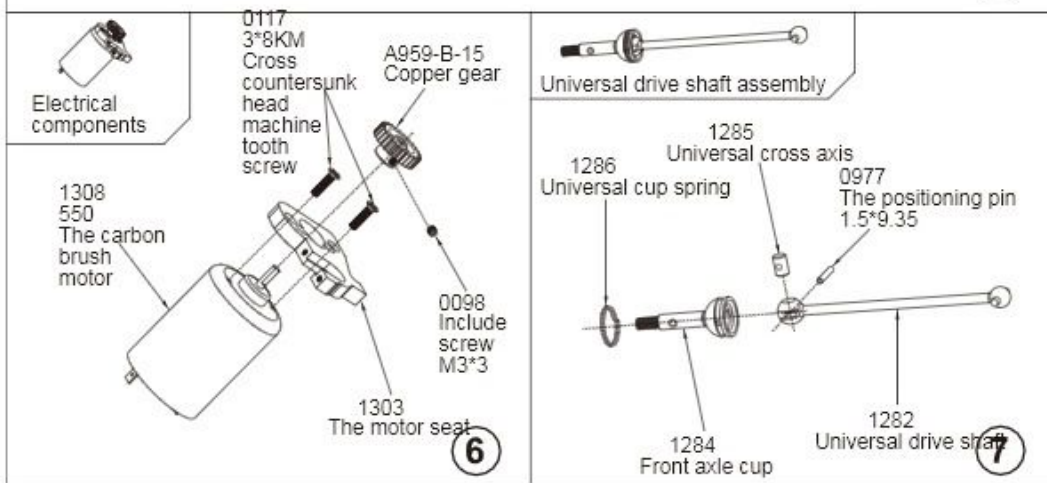
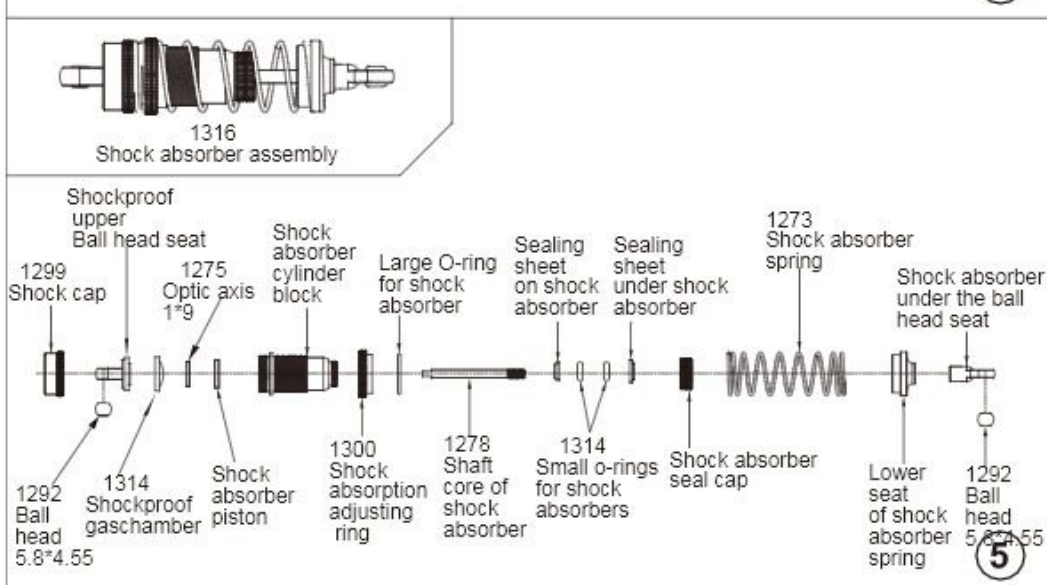
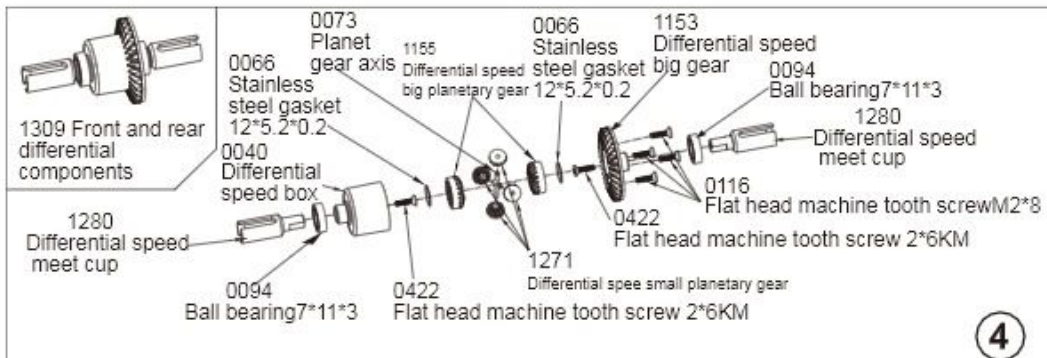
Apply the rust prevention oil to metal parts.

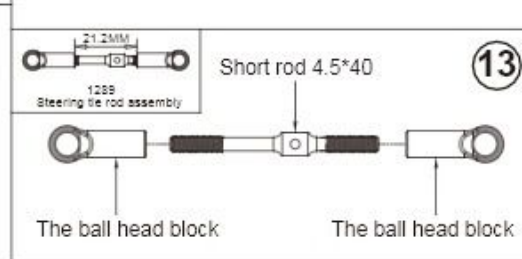
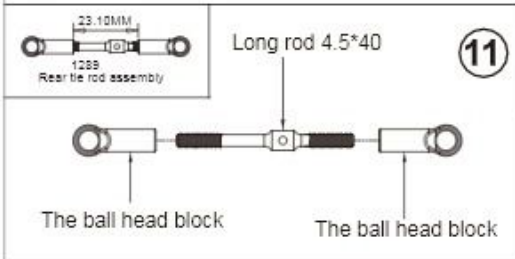
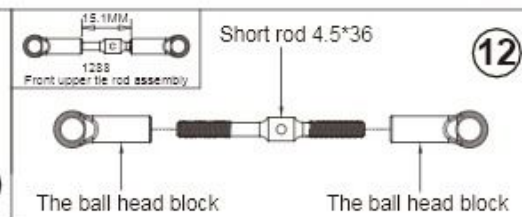
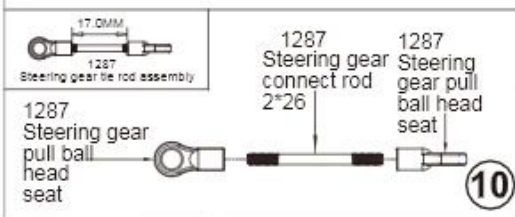
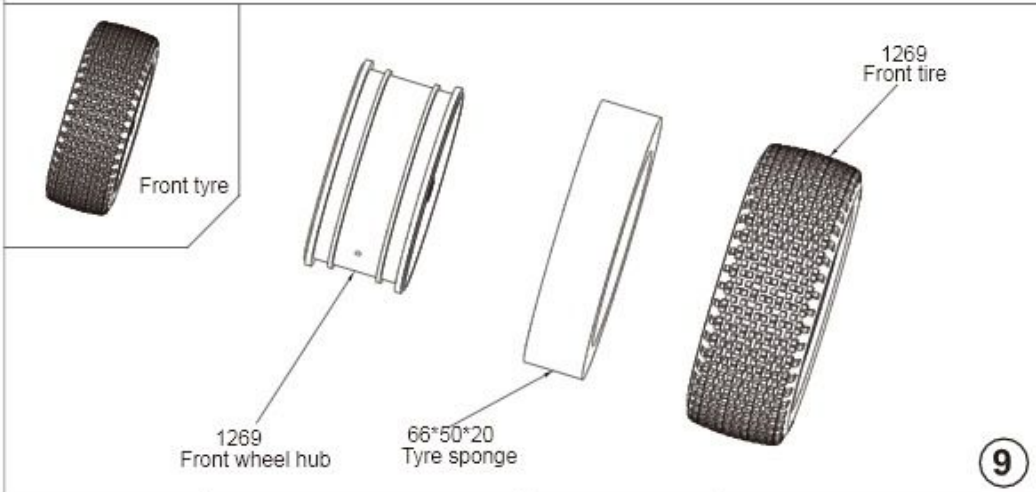
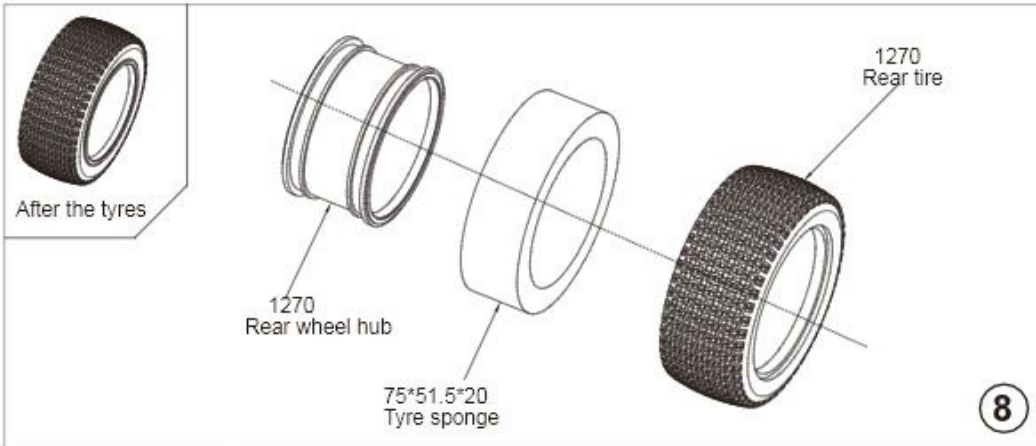


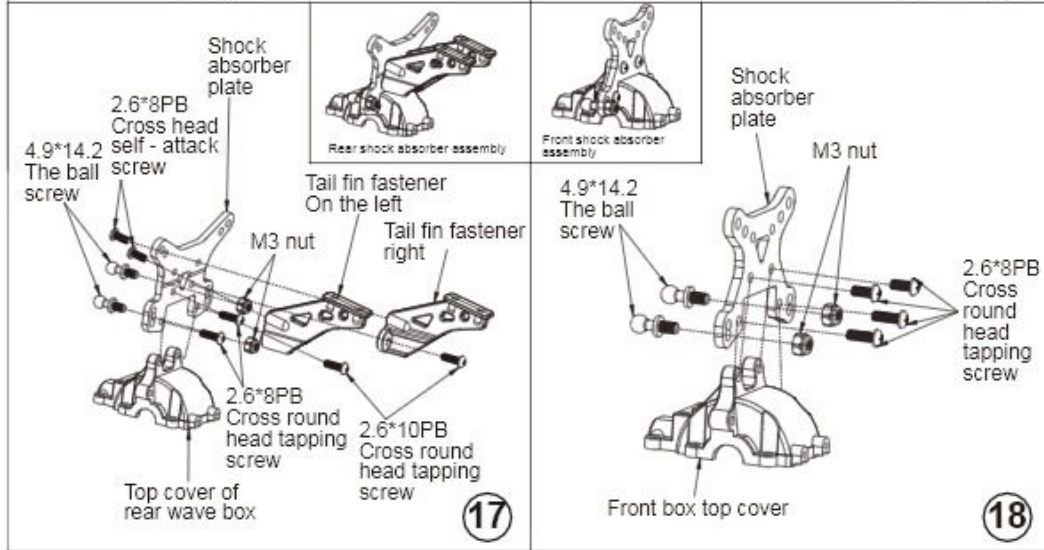
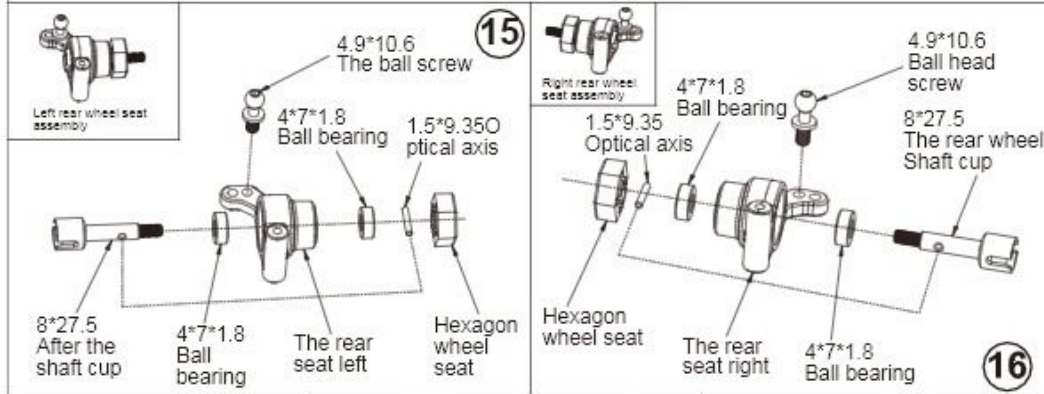
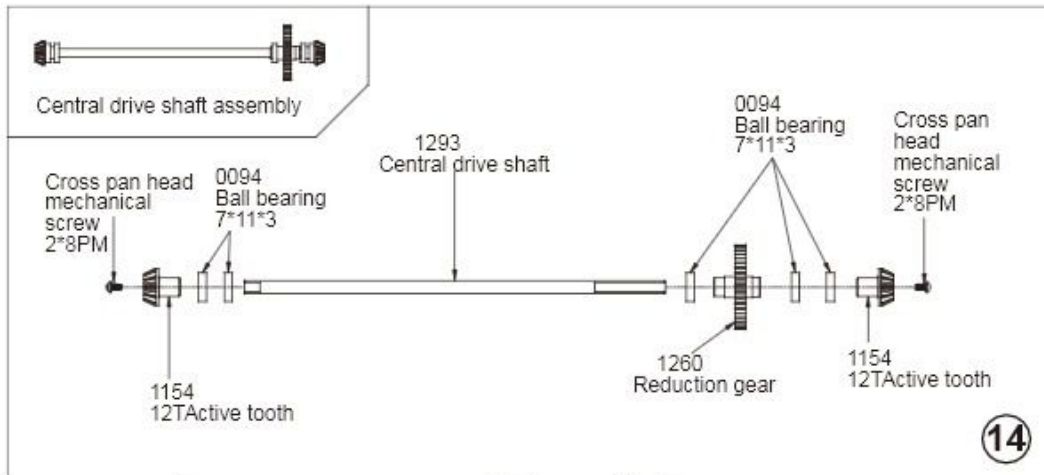
Store the car and batteries separately when not in use.

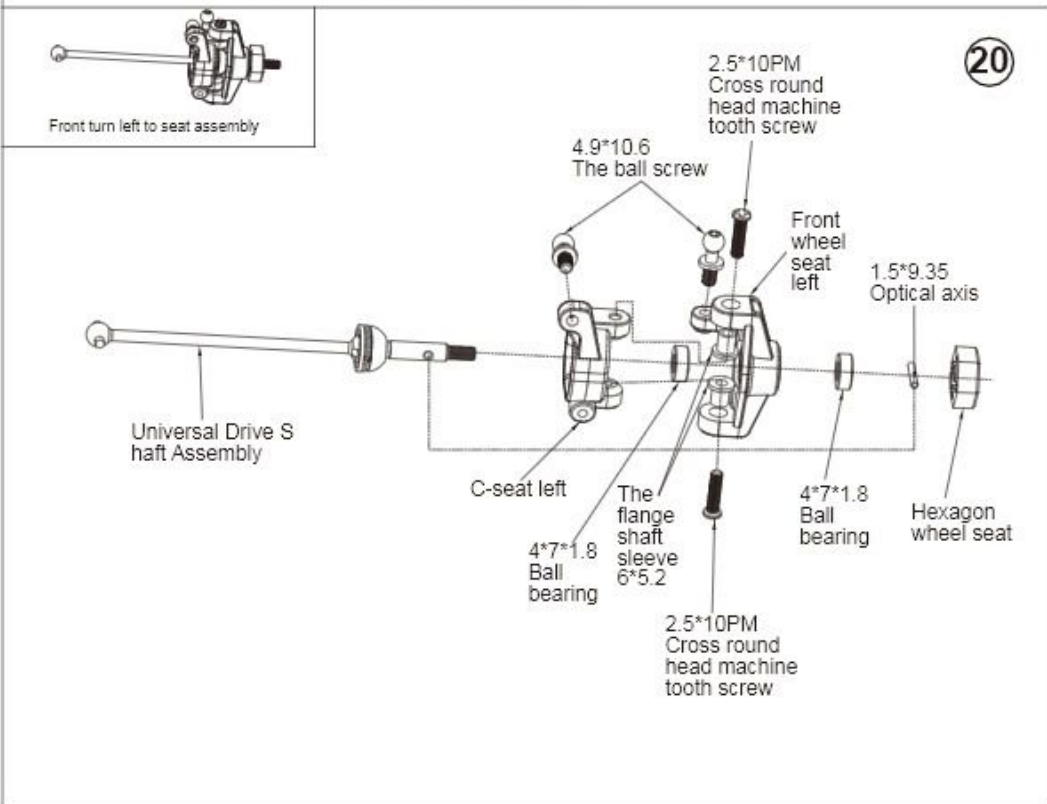
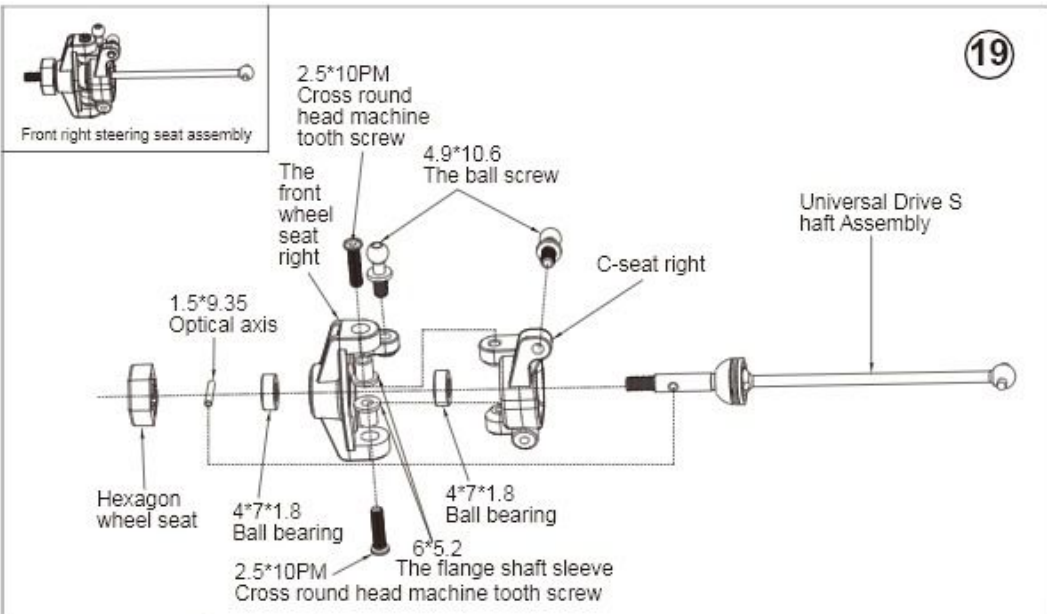
Assembly Exploded Diagram

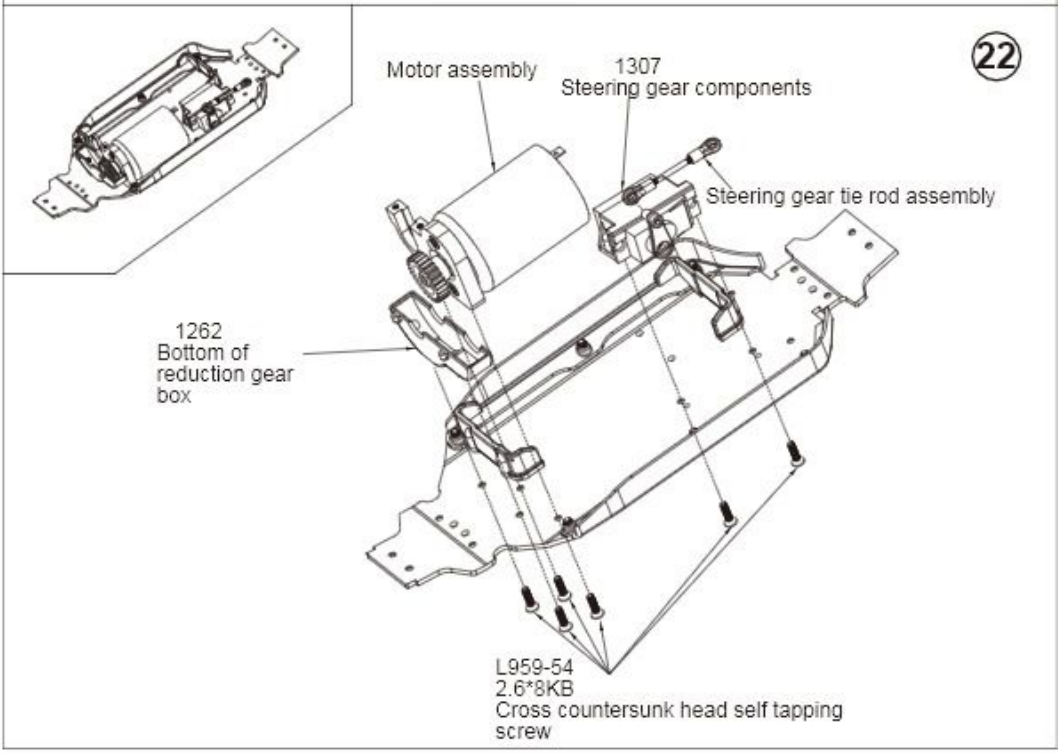
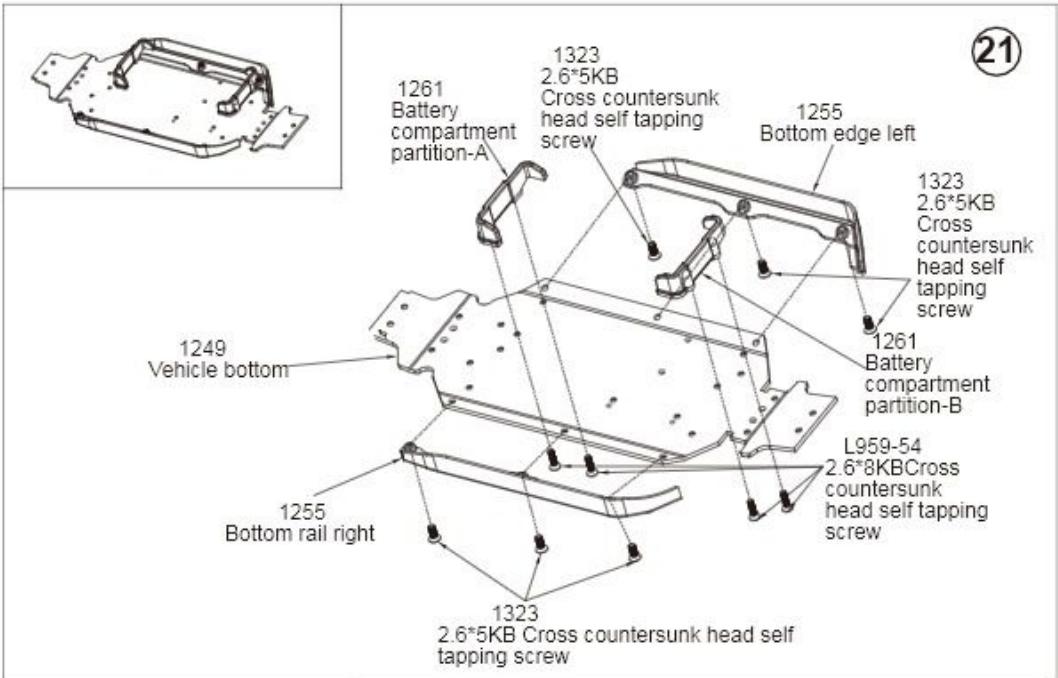


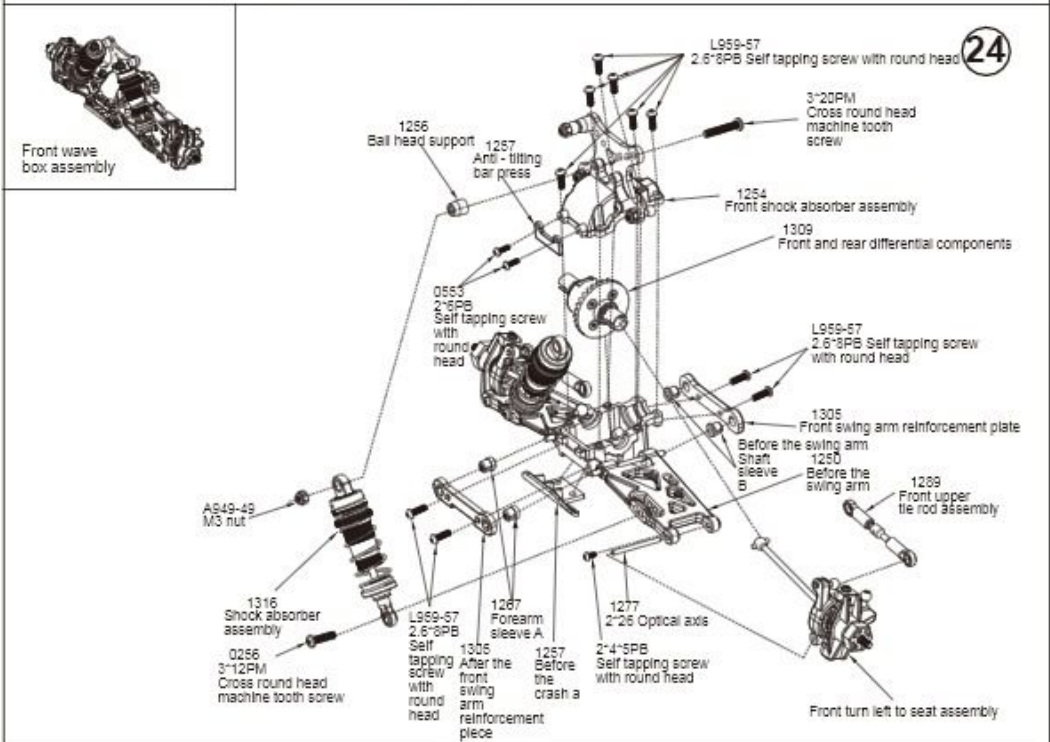
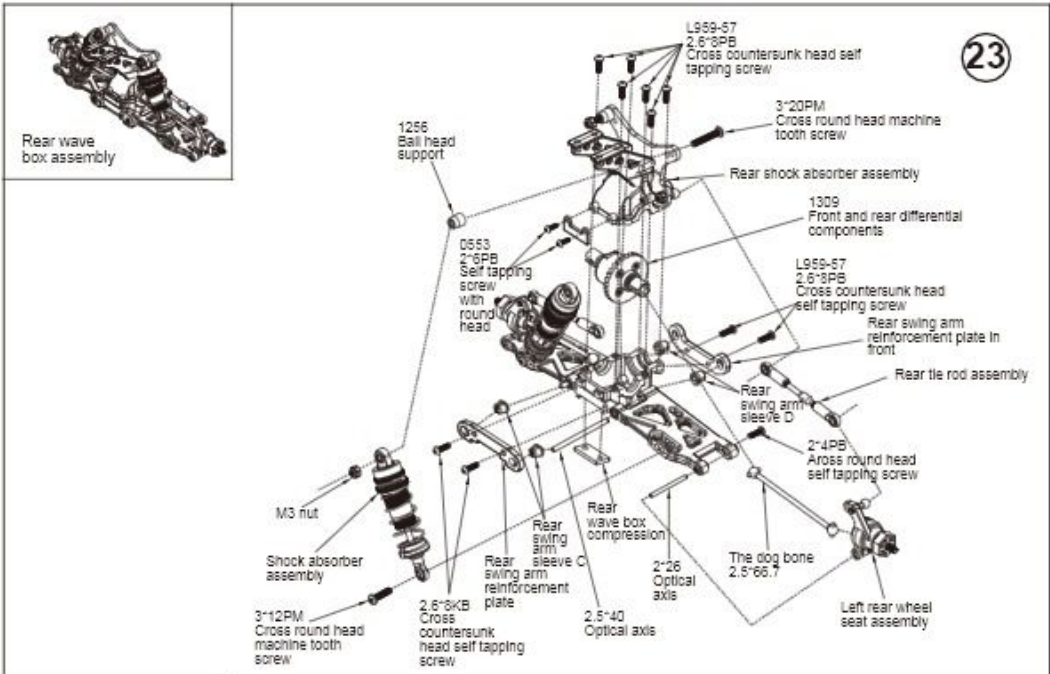


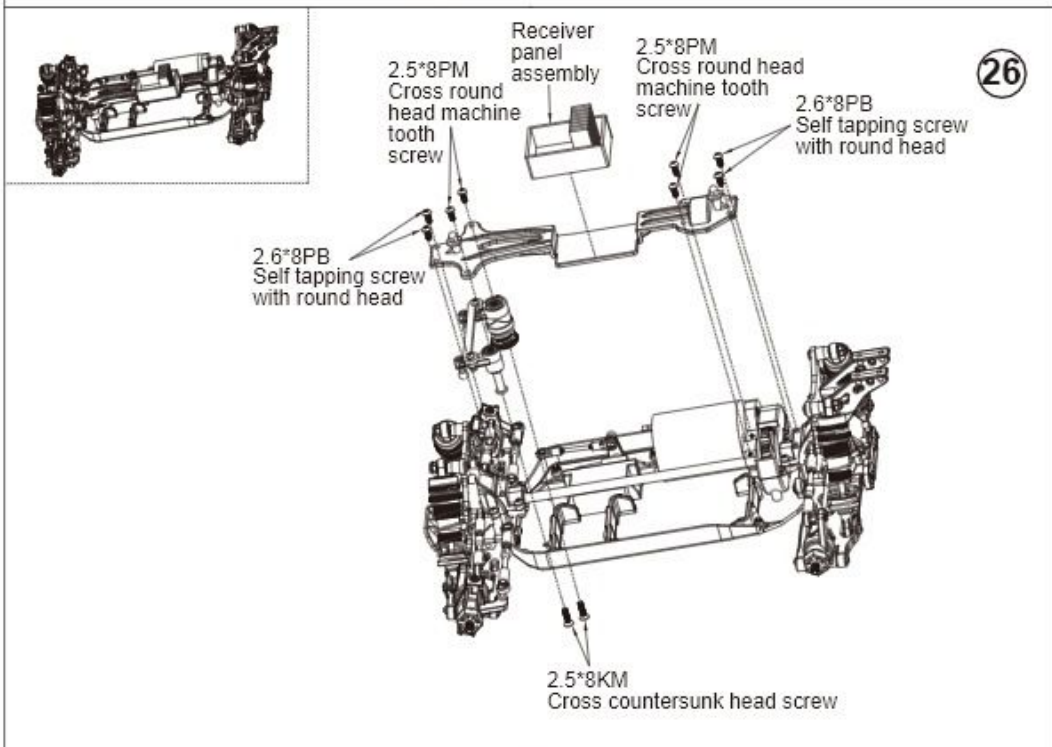
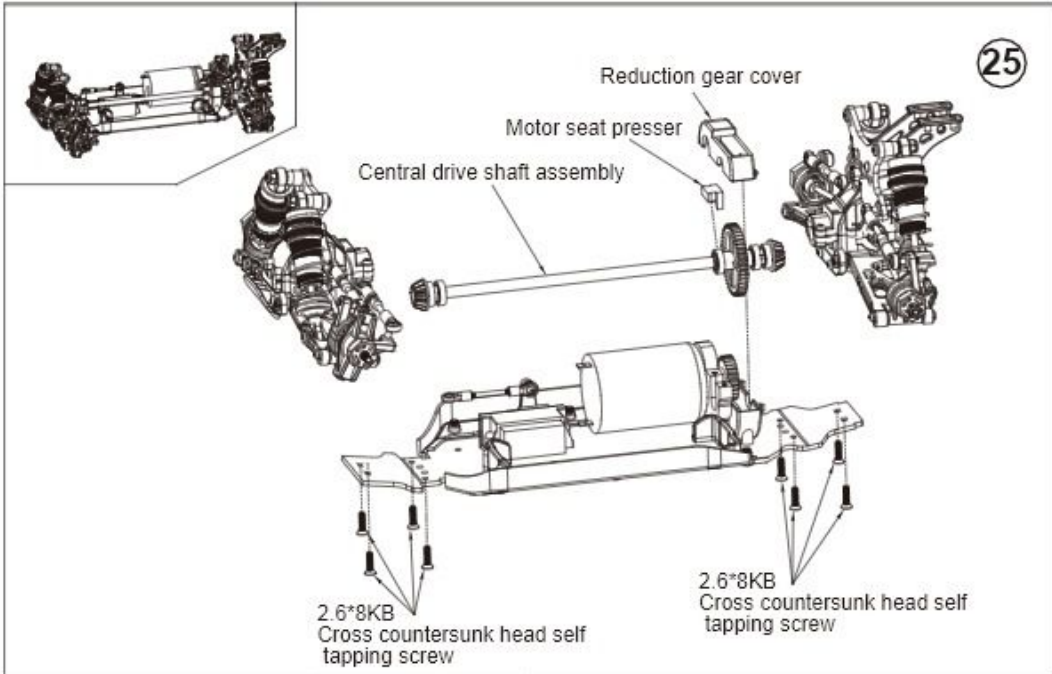


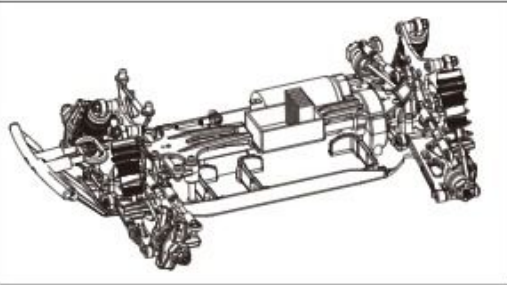




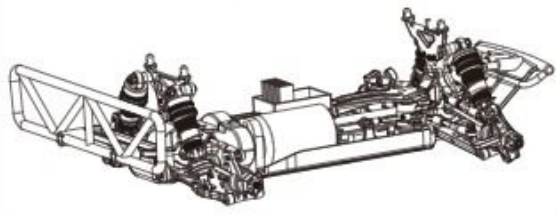
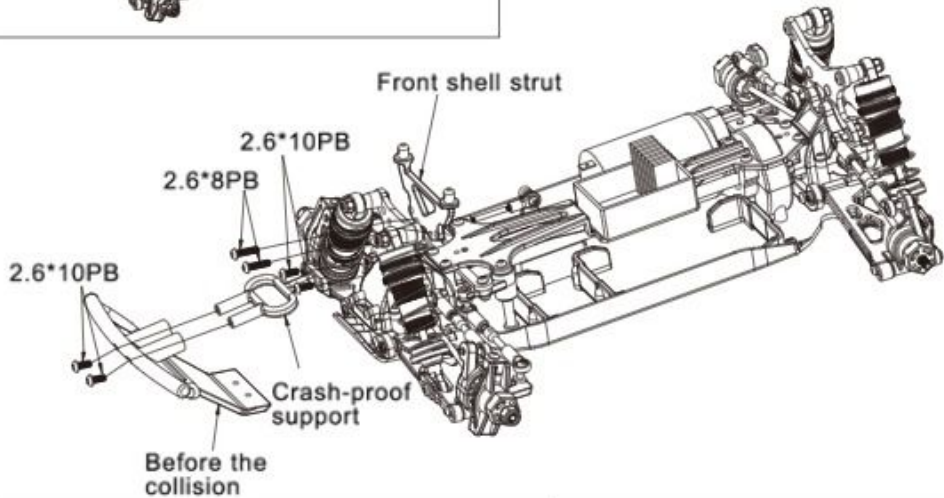




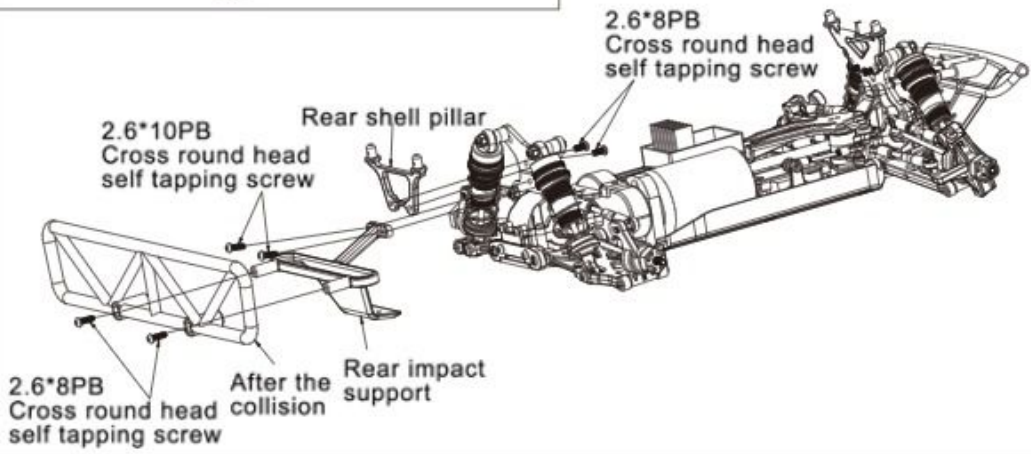


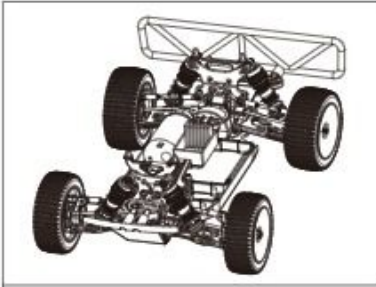


27

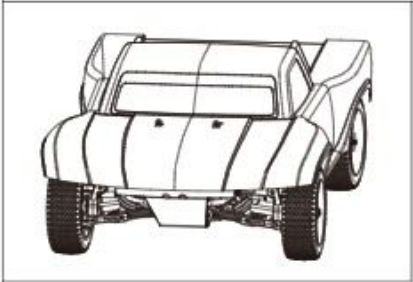
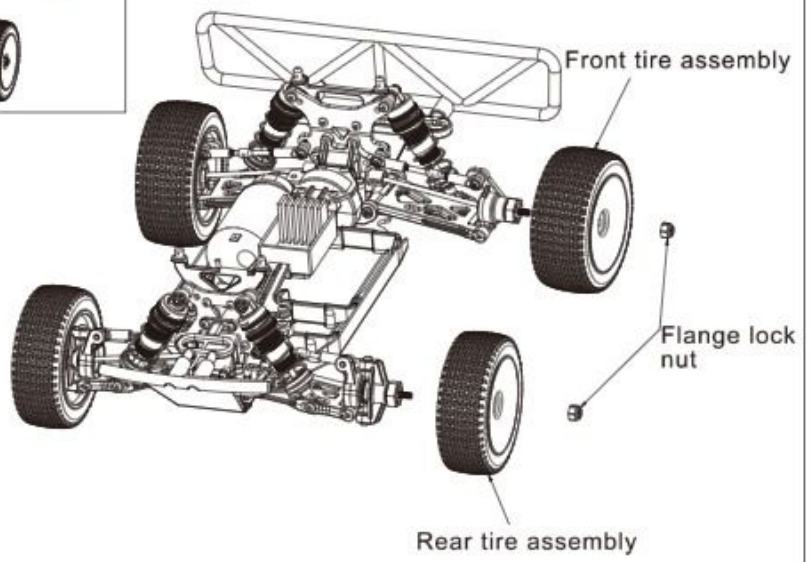


28





29



30

