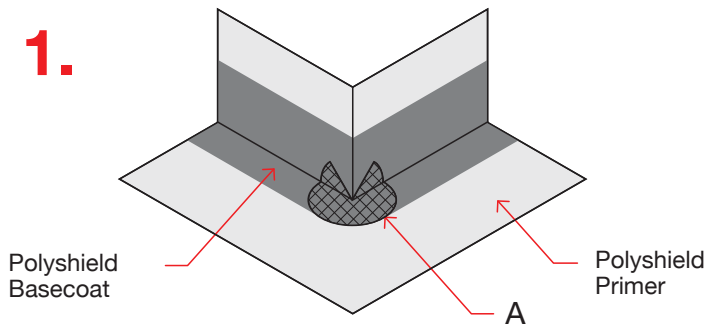
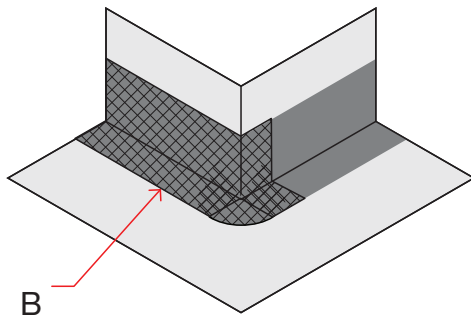
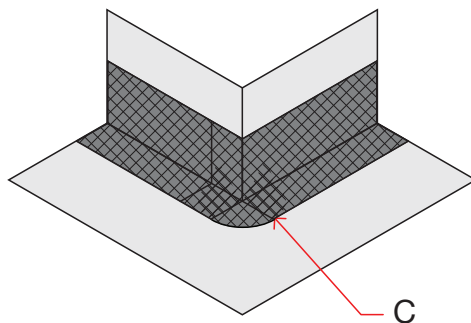
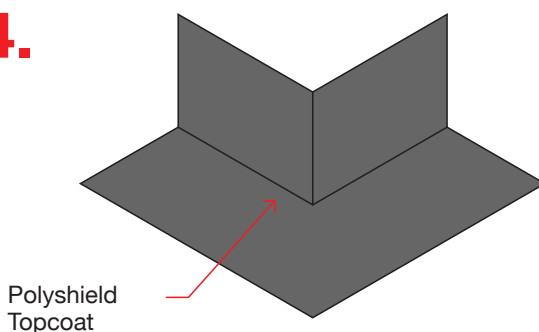


Polyshield external corner build-up

1.**2.****3.****4.****1.**

- > Polyshield Primer is used as first coat.
- > Polyshield Basecoat is applied by brush or roller to the clean prepared and primed substrate.
- > Position circular corner scrim reinforcement (A) into corner and embed into the wet Polyshield Basecoat avoiding creasing.

2.

- > Cut and fold first piece of strip scrim reinforcement (B) and position as shown.
- > Fix in place by embedding into the wet Polyshield Basecoat applied to upstand and horizontal deck ensuring a minimum of 50mm overlap onto the horizontal deck.
- > Brush or roller the strip scrim reinforcement (B) to remove any trapped air and to bring the Polyshield Basecoat through the strip scrim reinforcement (B) avoiding creasing.

3.

- > Cut and fold second piece of strip scrim reinforcement (C) and position as shown.
- > Fix in place by embedding into the wet Polyshield Basecoat applied to upstand and horizontal deck ensuring a minimum of 50mm overlap onto the horizontal deck.
- > Brush or roller the strip scrim reinforcement (C) to remove any trapped air and to bring the Polyshield Basecoat through the strip scrim reinforcement (B) avoiding creasing.

4.

- > Apply final coat of Polyshield Topcoat to whole area.