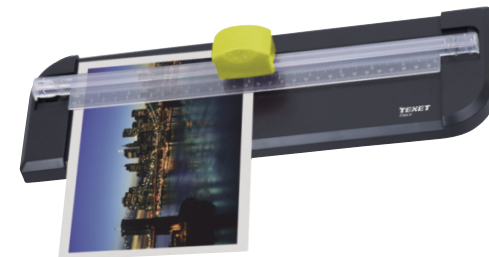




**LMA4 VPT  
Laminator and Trimmer Value Pack**



Read these instructions carefully before using the Laminator.  
Please keep for future reference.

## LMA4-V Laminator Instruction manual

Thank you for choosing a TEXET laminator. We aim to supply quality machines that create excellent results. Before operating the laminator – please read and keep the user instructions for reference.

When using electrical appliances, basic precautions should always be followed to reduce risk of injury or electric shock, including the following:

1. Always unplug the appliance when not in use.
2. This appliance is not intended for use by persons, (including Children), with reduced physical, sensory or mental capabilities or lack of experience or knowledge. They should be given supervision and instruction in the use of the appliance, by a person responsible for their safety.
3. The laminator will become very hot in use and care should be taken when handling the machine.
4. Protect against the risk of electrical hazards. Do not immerse the power cord, plug or appliance in water or other liquids, or use near water.
5. Do not insert any metal objects or other foreign objects such as jewellery, hair, fingers or clothing into the appliance.
6. Remove paper clips and staples before laminating.
7. Do not operate the appliance with a damaged plug or power cord or after the appliance has malfunctioned or become damaged in some manner.
8. If the Power Cord is damaged , it must be replaced by a qualified Engineer in order to avoid a hazard,
9. The appliance should be installed near the outlet socket and the socket should be easily accessible.
10. Only laminate paper or board. Do not laminate unusual objects.
11. Do not use aerosol dusters or cleaners.
12. Do not spray anything into or lubricate the appliance.

### Setup:

1. Operate the machine on a flat and stable surface.
2. Ensure there is enough clear space at the rear of the machine for the laminated pouch to exit the machine.
3. The LMA4-V operates with laminating pouches 100 (2 x 50) micron – 160 (2 x 80) micron thick, (Credit card size to A4 size)

### Operating the laminator:

The LMA4-V is operated by a rocker switch, located at the right hand side of the appliance. There are 2 positions **ON (I) and OFF (O)**

1. Plug the machines cable into a convenient 13 Amp domestic supply outlet.
2. To Laminate select the ON (I) setting, laminating can begin when the Green “Ready” light comes on, which indicates the Laminator is hot enough to laminate, (Allow approx 3-5 minutes for the Laminator to warm up).

## TTA4-V A4 PAPER TRIMMER

### Specifications/Technical Data

Cutting length	310mm	
Cutting capacity	Straight cutting blade	5 sheets (70gsm)
	Perforated cutting blade	3 sheets (70gsm)
	Wavy cutting blade	3 sheets (70gsm)
Cutting size	A4 / A5 / A6 / A7	
Net Weight	0.25kg	
Product size (WxDxH)	390 x 60 x 120mm	

Visit [www.texet.com](http://www.texet.com) for details on other Texet products.

- Press the cutting ruler onto the material and with one hand, hold it in place.
- Now, pull the cutting head in a constant movement and with slight downward pressure along the cutting ruler.

#### Instruction to change blade

Do not touch the edge of the blades as they are very sharp!

- Remove the cap at the back of the cutting head and open by turning lever towards "OPEN" (figure 1).
- Place the cap with the Blade in a safe place so you do not injure yourself (Figure 2).

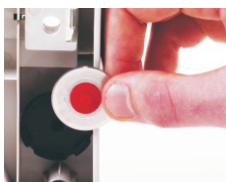


(Figure 1)



(Figure 2)

- Turn the Paper Trimmer over onto a non-slip surface.
- The spare Blades are kept in the Yellow housing.
- To remove one of the spare Blades slide open the housing lid and remove the Blade carefully
- Insert the replaced Blade into the blade housing and close the lid.
- Turn the trimmer back over again onto a flat surface.
- Insert the new Blade into the cutting head. The axis of the Blade must be inserted properly into the middle of the cutting head (Figure 3 & Figure 4).

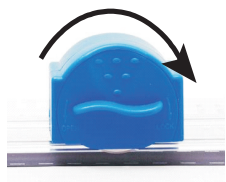


(Figure 3)



(Figure 4)

- Place the cap back onto the cutting head and turn it towards "LOCK" until it locks into place (Figure 5).



(Figure 5)

- ▲ This hand operated trimmer is only suitable for persons aged 16+; persons over the age of 12 years but under the age of 16, may however use the device while under the supervision of an adult.

[www.textet.com](http://www.textet.com)

3. Prepare the laminating pouch for inserting into the machine. **See How to load a laminating pouch below** Do not use pouches thicker than 160mic (2x80mic per side)
4. When the machine has reached operating temperature, you may insert the pouch, (sealed edge first), squarely into the machine until it engages with the rollers. Never insert a pouch open edge first into the machine.
5. The pouch will move through the machine and exit at the rear.
6. During the process the **READY** light may go out as heat is absorbed by the laminating pouch. This is normal.
7. Do not cut down Laminating Pouches to Laminated smaller sizes of Paper, smaller sizes of Pouches are available, see below, please use these.
8. Turn the laminator to **OFF (O)** after use.
9. Always remove the plug from the power supply, when the Laminator is not in use

#### **IMPORTANT!**

Do not touch the top of the machine during use, as it will get very hot and take approximately 3-4 hours to cool down. Do not place items on top of the machine at any time.

#### **Laminating Pouch Sizes:**

A4 – 303 x 216mm  
 A5 – 216 x 154mm  
 A6 – 154 x 110mm  
 A7 – 80 x 111mm  
 ID Card – 90 x 60mm  
 Credit Card – 86 x 54mm

#### **Laminating capacity:**

The LMA4V is a personal laminator designed for hot lamination so is only suitable for home and small office use only. Do not use the appliance with pouches thicker than 160 microns in thickness. Maximum Lamination thickness is 0.45mm, excluding the pouch.

#### **How to load a laminating pouch:**

The laminating pouch is sealed along one side. Open the pouch and place the paper to be laminated centrally inside the pouch as close to the sealed edge as possible. Ensure there is an equal border all round the paper (e.g.: A4 paper should have a 3mm border). The sealed edge (not the open edges) is placed into the entry slot to start the lamination process. Always watch the pouch during the Laminating process to ensure it comes out the other side of the Laminator. It may wrap around the rollers if not placed squarely and centrally in the entry slot. In the unlikely event the pouch becomes jammed in the Laminator, please switch off, do not open the appliance. Only a qualified service engineer should repair the appliance.

#### **Warranty & service:**

Never service the product yourself. The appliance is guaranteed for 12 months from date of purchase, subject to normal use. If the laminator is under warranty then return it to the point of purchase for replacement or repair.

#### LMA4V Laminator Specification:

Rollers: 2 Roller (hot shoe)  
Entry width: 236mm  
Min lamination thickness: 100(2x50) micron  
Max lamination thickness: 160 (2x80) micron  
Min pouch size: Credit card size (54x86mm)  
Max pouch size: A4 size (303 x 216mm)  
Max lamination Thickness: 0.45mm, excluding the Pouch.  
Lamination speed: 25cm / min  
Warm-up: 3-5 minutes  
Power consumption: 220 Watts  
Input: AC 220-240V, 1.0amp  
Dimensions: 330 x 118 x 88 mm (L x D x H)

ModelLMA4V  
TypeLaminator  
Compliant with:-

BS EN 60950-1: 2006 &  
EMC - EN 55014-1: 2006  
EN 55014-2: 1997+ A1  
EN 61000-3-2: 2006  
EN 61000-3-3: 2008



Visit our Website at [www.texet.com](http://www.texet.com) , to see our full range of products.

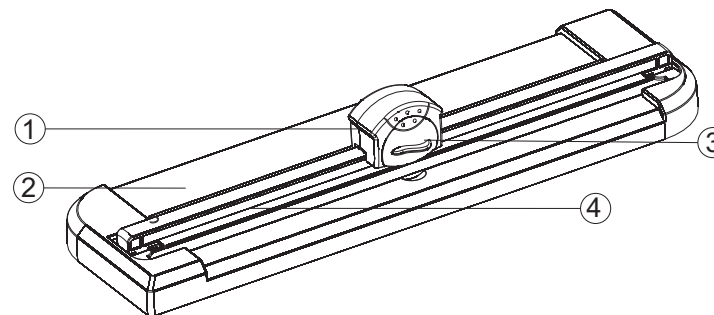
Disposal:

UK: Waste Electrical products/batteries should not be disposed of with household waste. Facilities exist, for your nearest facilities see [www.recycle-more.co.uk](http://www.recycle-more.co.uk) or in store for details.

#### TTA4-V A4 Paper Trimmer Instruction Manual

Thank you for choosing a Texet photo/paper trimmer.  
Before operating the trimmer, please read and keep the instructions for reference.

**Parts description: As per below picture indicates:**



- ① Cutting Head.
- ② Working table base.
- ③ Accessible open / close cap for changing blade.
- ④ Cutting Ruler

#### Prescribed use

The rotary trimmer is designed for the creative cutting of paper, film and other suitable soft materials. It is possible to cut up to 5 sheets (70g/mm) at the same time.

#### Safety instructions

In case of any damage caused by the failure to observe these operating instructions, or any improper use or operation, or the failure to observe the safety instructions, then the guarantee for this product, will be invalid.

	<ul style="list-style-type: none"><li>• Do not use the cutting head to carry the trimmer.</li></ul>
	<ul style="list-style-type: none"><li>• Do not overload the Paper trimmer. Do not insert more sheets or stronger sheets than stated in the Technical data.</li></ul>
	<ul style="list-style-type: none"><li>• Do not touch the edge of the blades as they are very sharp!</li></ul>
	<ul style="list-style-type: none"><li>• Please keep this operating manual for further reference!</li></ul>
	<ul style="list-style-type: none"><li>• If you pass this device on to third parties, please forward this operating manual as well.</li></ul>

#### Operation

**Do not cut hard material such as metal strips, glass etc. Always operate the device with both hands. Use the device on a stable, flat and even surface only. Before each cut please check that the Blade in the cutting head is secure.**

- Place the Paper Trimmer onto a non-slip surface.
- Push the cutting head to the top of the ruler.
- Place the material to be cut under the cutting ruler and bring it into the required position.