



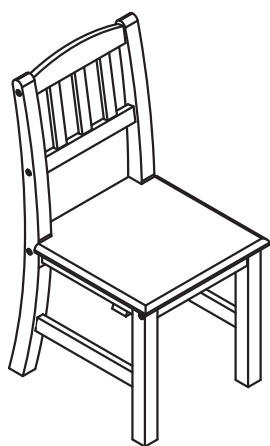
Read all instructions  
before assembly and use.  
KEEP INSTRUCTIONS FOR  
FUTURE USE.

Lisez toutes les instructions avant  
l'assemblage et l'utilisation.  
CONSERVEZ LES INSTRUCTIONS  
POUR UN USAGE ULTERIEUR.

Lea todas las instrucciones  
antes de ensamblar y usar.  
MANTENGA LAS INSTRUCCIONES  
PARA SU USO FUTURO.



DELTACHILDREN



Chair  
Chaise  
Silla

▲ ADULT ASSEMBLY REQUIRED

Due to the presence of small parts during assembly, keep out of reach of children until assembly is complete.

▲ L'ASSEMBLAGE DOIT ETRE FAIT  
PAR UN ADULTE

A cause de la presence de petites pieces, pendant l'assemblage gardez hors de portee des enfants jusqu'a ce que celui-ci soit termine.

▲ DEBE SER ENSAMBLADO  
POR UN ADULTO

Debido a la presencia de piezas pequeñas durante el ensamblaje, mantenga fuera del alcance de los niños hasta que complete el ensamblaje.

This product is not intended for institutional or commercial use.  
Ce produit ne pas destine a un usage institutionnel ou commercial.  
Este producto no esta hecho para uso institucional o comercial.

**NEED EXTRA HELP?**

We make assembly easy with  
our tips & tricks video  
[https://www.deltachildren.com/  
pages/instructions](https://www.deltachildren.com/pages/instructions)

**BESOIN D'AIDE SUPPLÉMENTAIRE?**

Nous facilitons l'assemblage avec  
nos trucs et astuces vidéo  
[https://www.deltachildren.com/  
pages/instructions](https://www.deltachildren.com/pages/instructions)

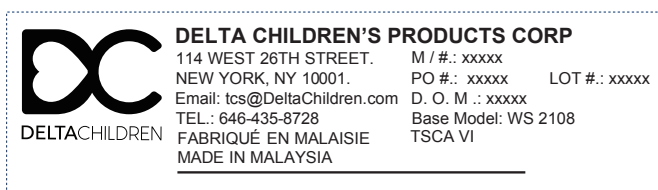
**¿NECESITA AYUDA EXTRA?**

Hacemos el montaje fácil con  
nuestros consejos y trucos video  
[https://www.deltachildren.com/  
pages/instructions](https://www.deltachildren.com/pages/instructions)

When contacting Delta Consumer Care, please reference the information on the Product Information label found on the product.

Lorsque vous contactez le Service après Vente de Delta, veuillez nous donner les références sur l'étiquette d'Information qui se trouve sur le produit.

Cuando contacte al Servicio de Atención al Consumidor de Delta por favor mencione los datos que aparecen en la etiqueta de información que se encuentra en el producto.



Product information label  
L'étiquette d'information  
Etiqueta de información

**Consumer Care:**

Delta Children's Products Corp  
114 West 26th Street New York, NY 10001  
Tel: (646) 435-8728  
Email: tcs@DeltaChildren.com  
<https://www.deltachildren.com/pages/instructions>



# SAVE BIG WITH DELTA CHILDREN

Visit **Deltachildren.com** To Start Shopping

Welcome to the  
**DELTA FAMILY**  
Here's a Gift From Us To You

**10% OFF**

Your Next Purchase From  
**DeltaChildren.com**

**USE CODE:  
DELTA10**

\*Exclusions Apply  
\*Subject to Change

**REVIEW TO WIN \$2500**

**RULES TO ENTER**

★ ★ ★ ★ ★

**"We LOVE, LOVE, LOVE this crib"**


My husband was impressed with the directions and organization of the hardware package. He easily assembled this crib in an hour without any help. It's very sturdy and we like that it has adjustable levels for the mattress height. To top it all off, it's so incredibly darling!!!

- 1 WRITE A REVIEW** for this product on the store's website from where it was purchased
- 2 TAKE A SCREENSHOT** of your review and upload it to [www.DeltaChildren.com/Review](http://www.DeltaChildren.com/Review)
- 3 IT'S THAT EASY!** Upon submission, you'll be instantly **ENTERED TO WIN \$2,500**

**FOLLOW US FOR MORE CHANCES TO WIN**

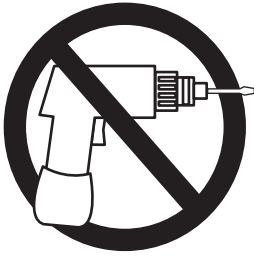
  
**@deltachildren**

**SCAN HERE**



For more information & to see all of our products

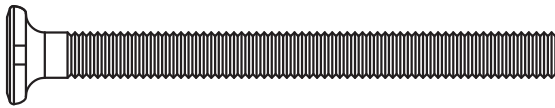




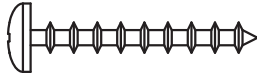
Required Tools  
Outils Nécessaires  
Herramientas necesarias



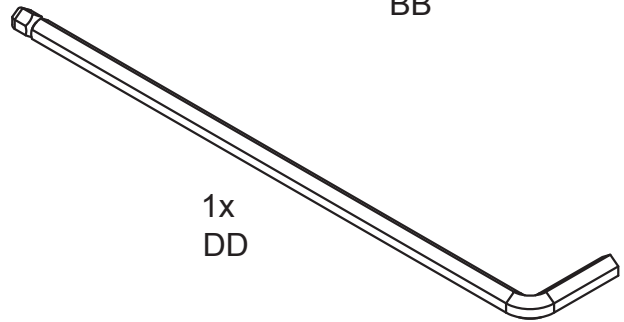
8 x  
AA



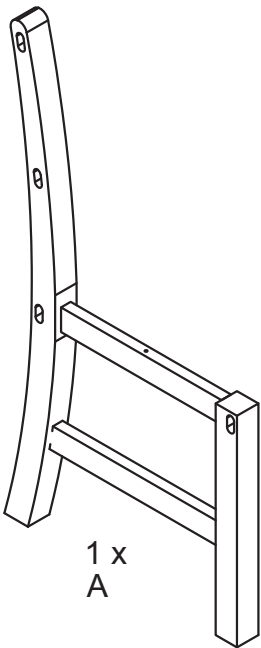
8 x  
BB



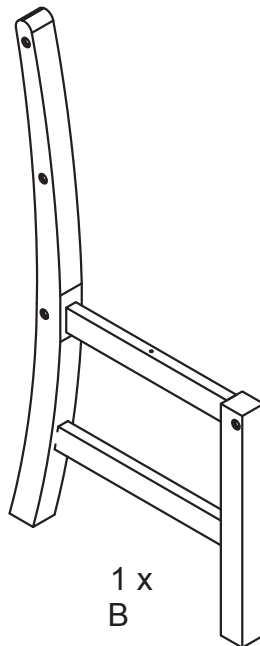
6 x  
CC



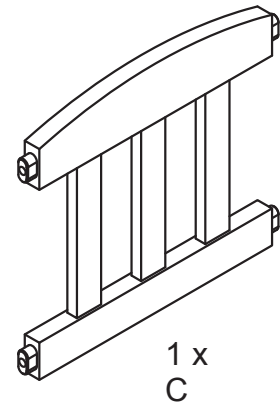
1x  
DD



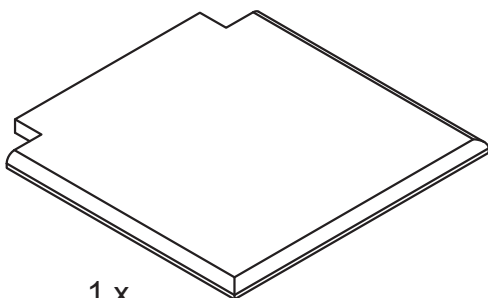
1 x  
A



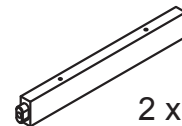
1 x  
B



1 x  
C



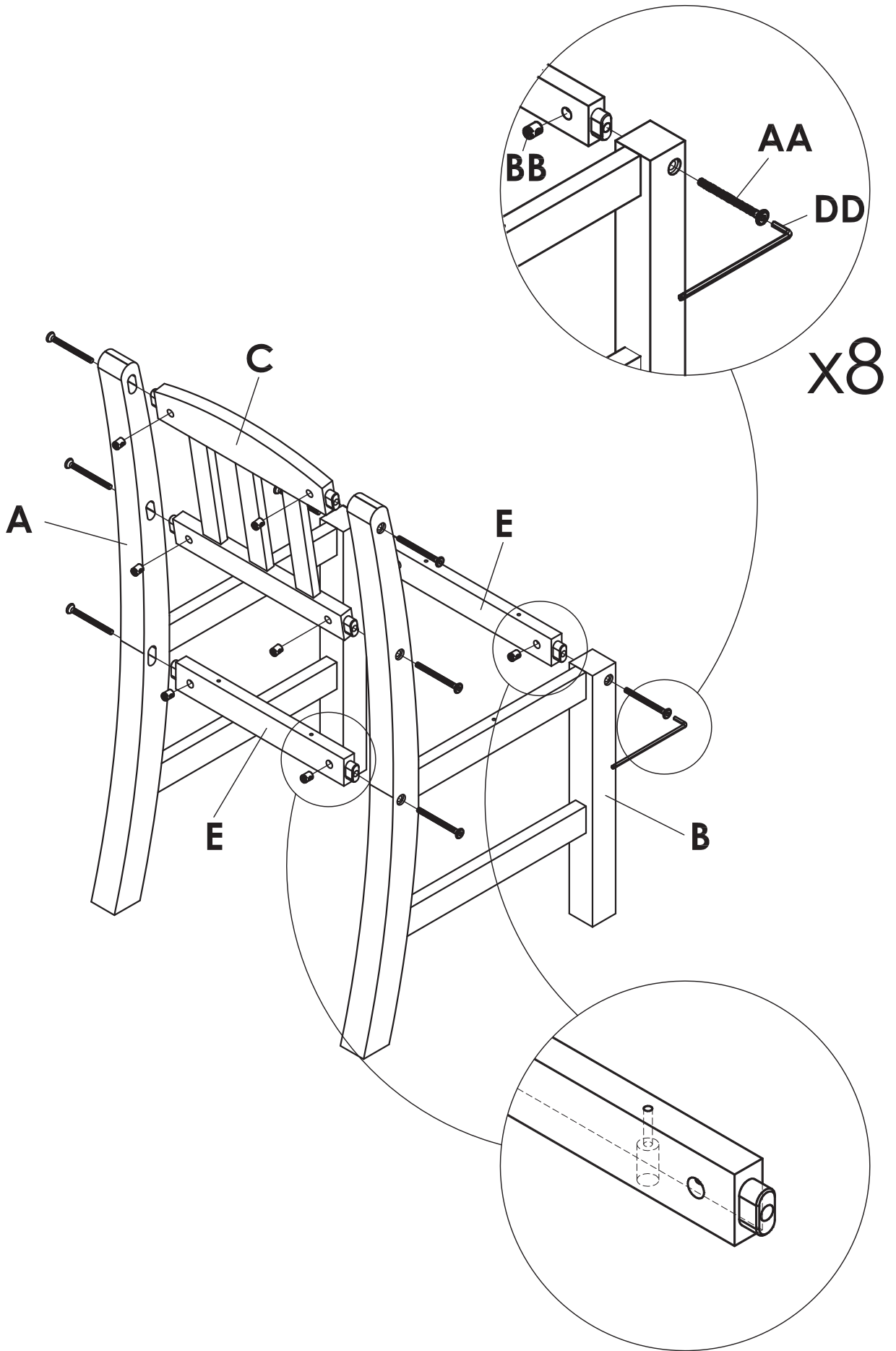
1 x  
D



2 x  
E

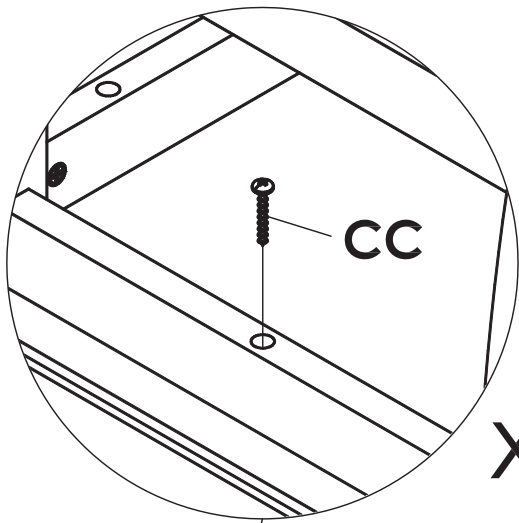


1

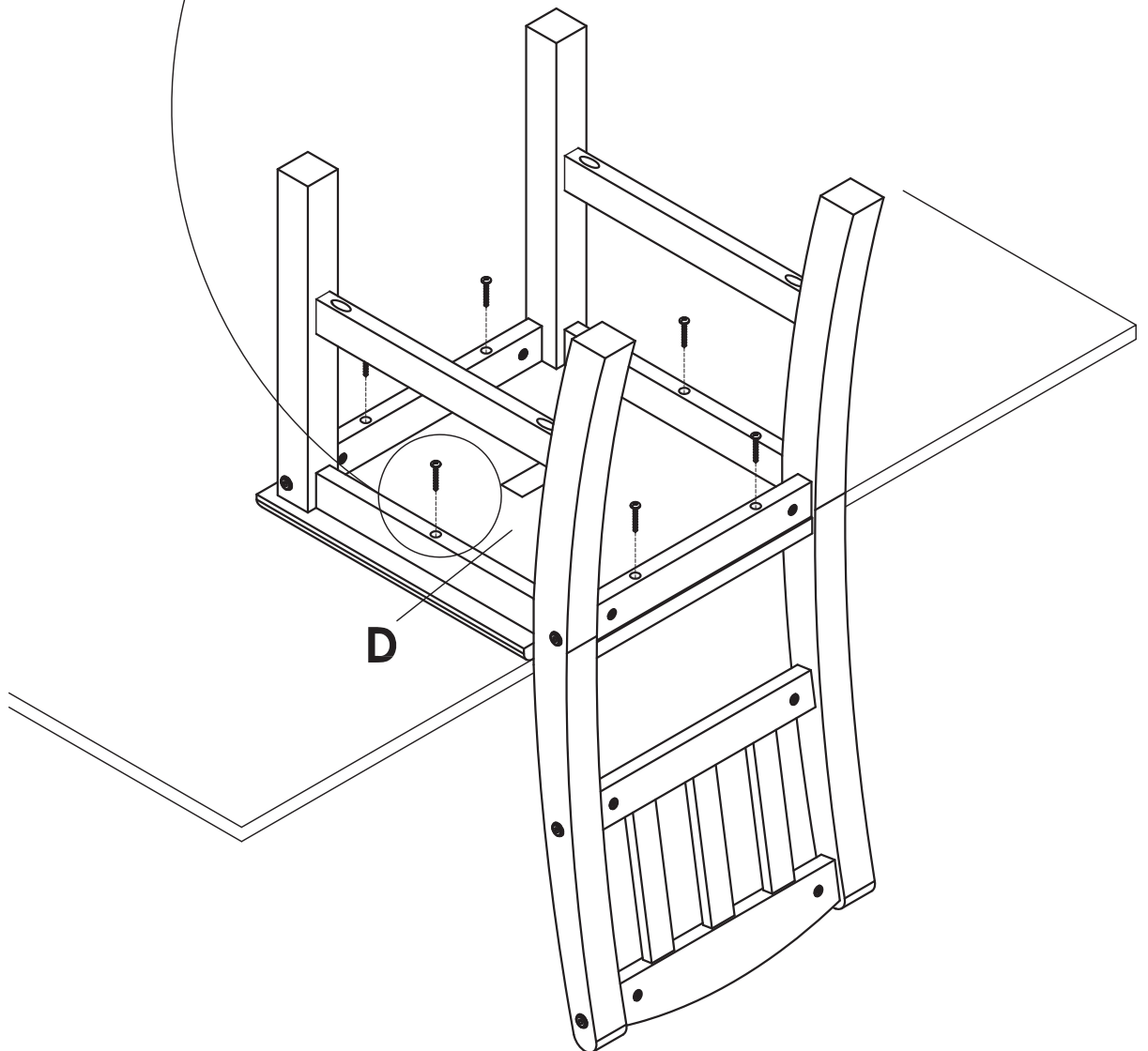




2



x6



♥♥♥

# WHY CHOOSE DELTA CHILDREN?

Visit [Deltachildren.Com/Pages/Our-Story](http://Deltachildren.Com/Pages/Our-Story) for more information

<p><b>DELTA LEADS</b></p> <p>1 Out Of 2 Children In The U.S. Sleep In Our Products</p>	<p><b>DELTA GIVES</b></p> <p>10% Of Our Proceeds Go Toward Improving The Lives Of Children</p>	<p><b>DELTA CARES</b></p> <p>We Test Above &amp; Beyond Industry Safety Standards</p>	<p><b>DELTA IS DEDICATED</b></p> <p>Our Family-Run Company Has Been There For Your Family Since 1968</p>	<p><b>DELTA GROWS WITH YOU</b></p> <p>We Have Products For Every Age And Stage</p>	<p><b>Over 50 Years Of Safety, Style &amp; Innovation</b></p>
--	--	---	--	--	---

Welcome to the **DELTA FAMILY**

Here's a Gift From Us To You

# 10% OFF

Your Next Purchase From  
[DeltaChildren.com](http://DeltaChildren.com)

USE CODE:

# DELTA10

\*Exclusions Apply  
\*Subject to Change

## PRODUCTS FOR EVERY AGE AND STAGE

					
CRIBS	STROLLERS	GLIDERS	BASSINETS	MATRESSES	
					
BABY GEAR	TODDLER BEDS	PLAYROOM FURNITURE	TWIN BEDS	BINS & ORGANIZERS	DRESSERS

## OUR FAMILY OF TOP BRANDS



OVER 50 YEARS OF SAFETY, STYLE, AND INNOVATION



1.Revision Date:

Revision Note:

**注：此页面仅为更新记录，测试，大货不用印刷此页，**

**Note: this page is only for updating records, not printing this page,**