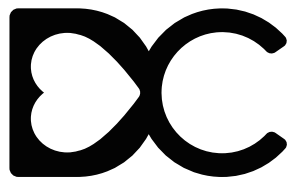




Read all instructions before assembly and use. KEEP INSTRUCTIONS FOR FUTURE USE.

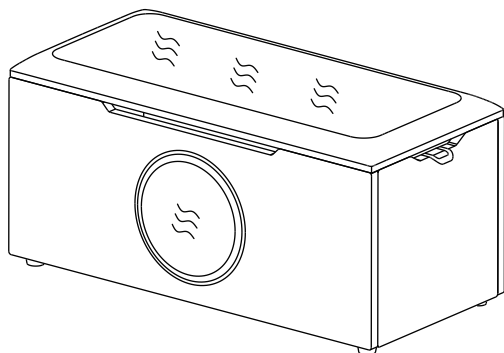
Lisez toutes les instructions avant l'assemblage et l'utilisation. CONSERVEZ LES INSTRUCTIONS POUR UN USAGE ULTERIEUR.

Lea todas las instrucciones antes de ensamblar y usar. MANTENGA LAS INSTRUCCIONES PARA SU USO FUTURO.



DELTACHILDREN

TOY BOX
CAJA DE JUGUETES
SPIELZEUGBOX



ADULT ASSEMBLY REQUIRED
Due to the presence of small parts during assembly, keep out of reach of children until assembly is complete.

L'ASSEMBLAGE DOIT ETRE FAIT PAR UN ADULTE
A cause de la presence de petites pieces, pendant l'assemblage gardez hors de portee des enfants jusqu'a ce que celui-ci soit termine.

DEBE SER ENSAMBLADO POR UN ADULTO
Debido a la presencia de piezas pequeñas durante el ensamblaje, mantenga fuera del alcance de los niños hasta que complete el ensamblaje.

THIS PRODUCT IS NOT INTENDED FOR SEATING, DO NOT ALLOW CHILDREN TO SIT ON IT. CE PRODUIT N'EST PAS FAIT POUR S'ASSEOIR, NE PAS LAISSER UN ENFANT S'ASSEOIR DESSUS. ESTE PRODUCTO NO ES UN ASIENTO, NO PERMITA QUE NIÑOS SE SIENTEN SOBRE ÉL.

This product is not intended for institutional or commercial use. Ce produit ne pas destine a un usage institutionnel ou commercial. Este producto no esta hecho para uso institucional o comercial.

NEED EXTRA HELP?

We make assembly easy with our tips & tricks video <https://www.deltachildren.com/pages/instructions>

BESOIN D'AIDE SUPPLÉMENTAIRE?

Nous facilitons l'assemblage avec nos trucs et astuces vidéo <https://www.deltachildren.com/pages/instructions>

¿NECESITA AYUDA EXTRA?

Hacemos el montaje fácil con nuestros consejos y trucos video <https://www.deltachildren.com/pages/instructions>

When contacting Delta Consumer Care, please reference the information on the Product Information label found on the product.

Lorsque vous contactez le Service après Vente de Delta, veuillez nous donner les références sur l'étiquette d'Information qui se trouve sur le produit.

Cuando contacte al Servicio de Atención al Consumidor de Delta por favor mencione los datos que aparecen en la etiqueta de información que se encuentra en el producto.

<p>DELTACHILDREN</p>	DELTA CHILDREN'S PRODUCTS CORP		
	114 WEST 26TH STREET.	M / #: xxxxx	
	NEW YORK, NY 10001.	PO #: xxxxx	LOT #: xxxxx
	Email: tcs@DeltaChildren.com	D. O. M. : xxxxx	
	TEL.: 646-435-8728	Base Model: TB134	
	FABRIQUÉ EN CHINE	TSCA VI	
MADE IN CHINA			

Product information label
L'étiquette d'information
Etiqueta de información

Consumer Care:

Delta Children's Products Corp
114 West 26th Street New York, NY 10001
Tel: (646) 435-8728
Email: tcs@DeltaChildren.com



SAVE BIG WITH DELTA CHILDREN

Visit Deltachildren.com To Start Shopping

Welcome to the
DELTA FAMILY
Here's a Gift From Us To You

10% OFF

Your Next Purchase From
DeltaChildren.com

USE CODE:
DELTA10

*Exclusions Apply
*Subject to Change

REVIEW TO WIN \$2500

RULES TO ENTER



"We LOVE, LOVE, LOVE this crib"

My husband was impressed with the directions and organization of the hardware package. He easily assembled this crib in an hour without any help. It's very sturdy and we like that it has adjustable levels for the mattress height. To top it all off, it's so incredibly darling!!!

- 1** **WRITE A REVIEW** for this product on the store's website from where it was purchased
- 2** **TAKE A SCREENSHOT** of your review and upload it to www.DeltaChildren.com/Review
- 3** **IT'S THAT EASY!** Upon submission, you'll be instantly **ENTERED TO WIN \$2,500**

FOLLOW US FOR MORE CHANCES TO WIN

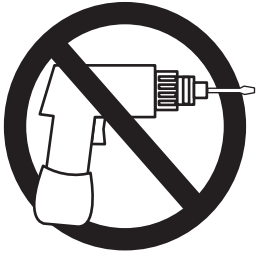


SCAN HERE

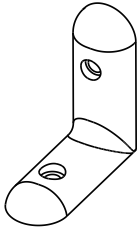


For more information
and to see all of our
products

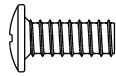




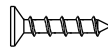
Required Tools
Outils Nécessaires
Herramientas necesarias



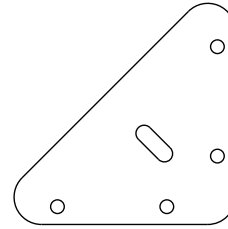
AA x 4



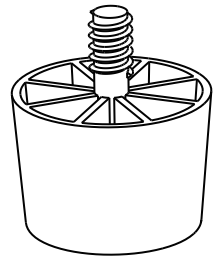
BB x 8



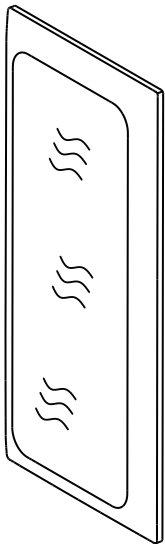
CC x 16



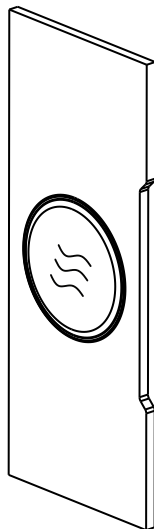
DD x 4



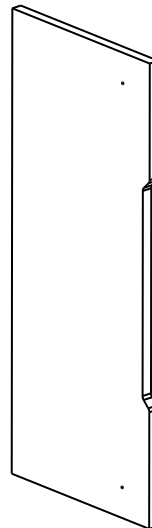
EE x 4



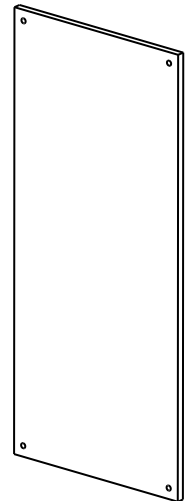
A x 1



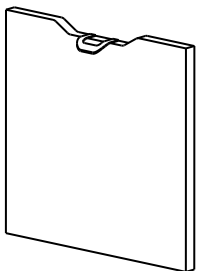
B x 1



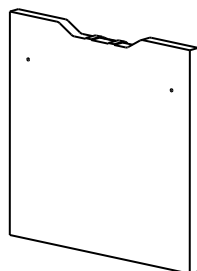
C x 1



D x 1



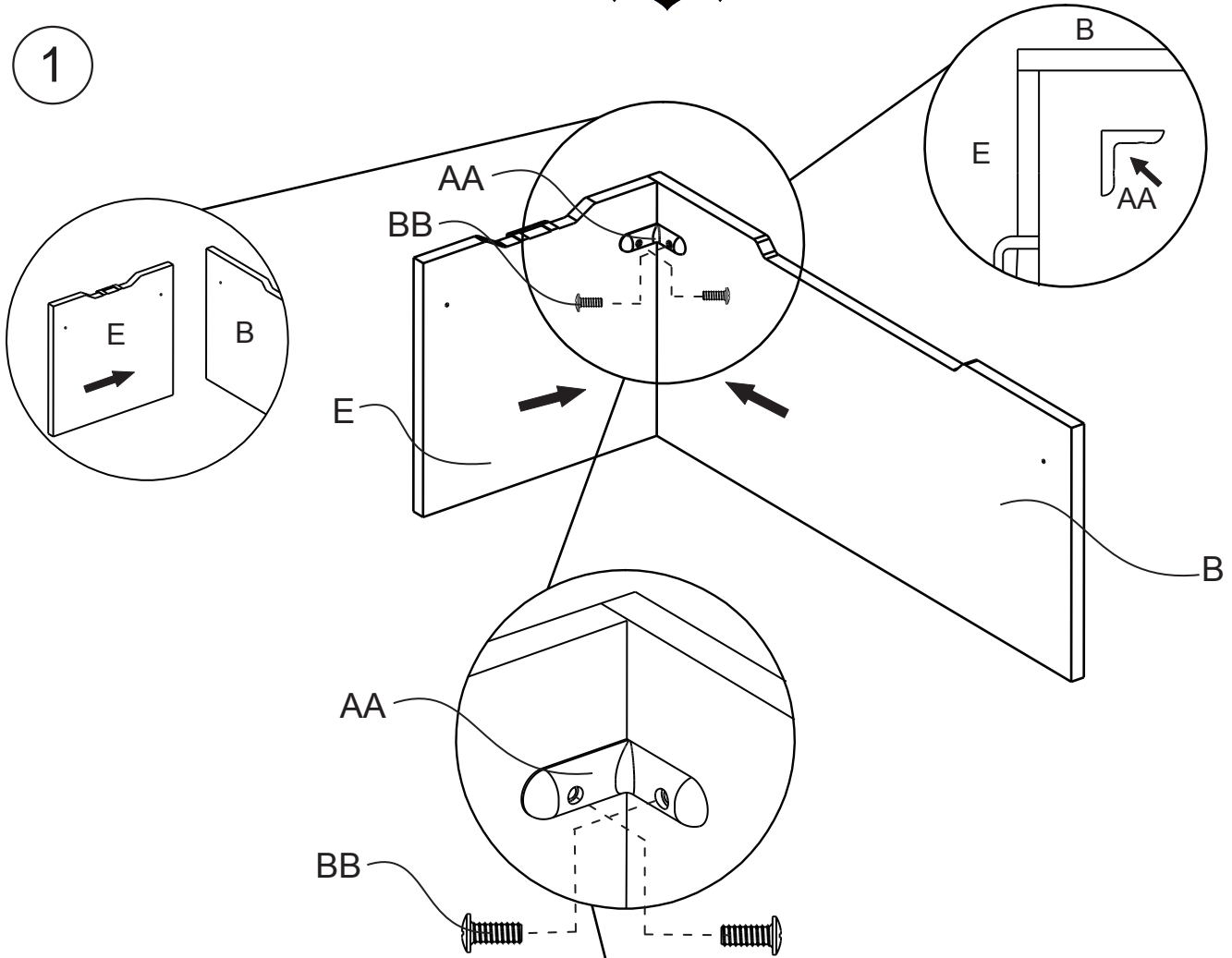
E x 1



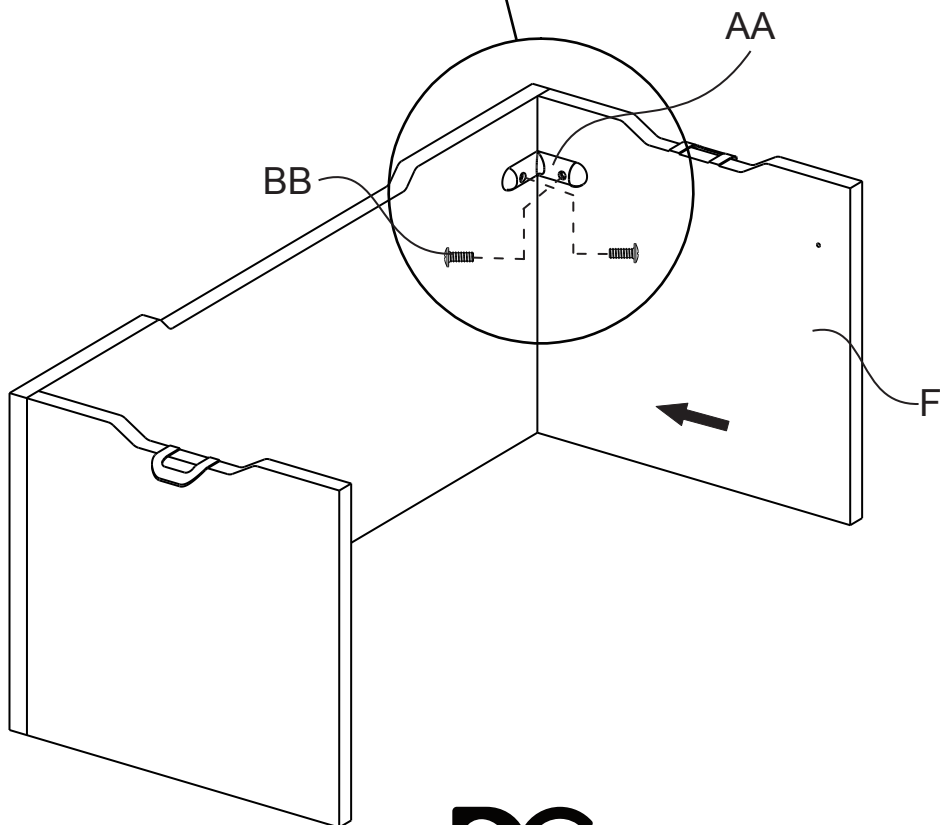
F x 1



1

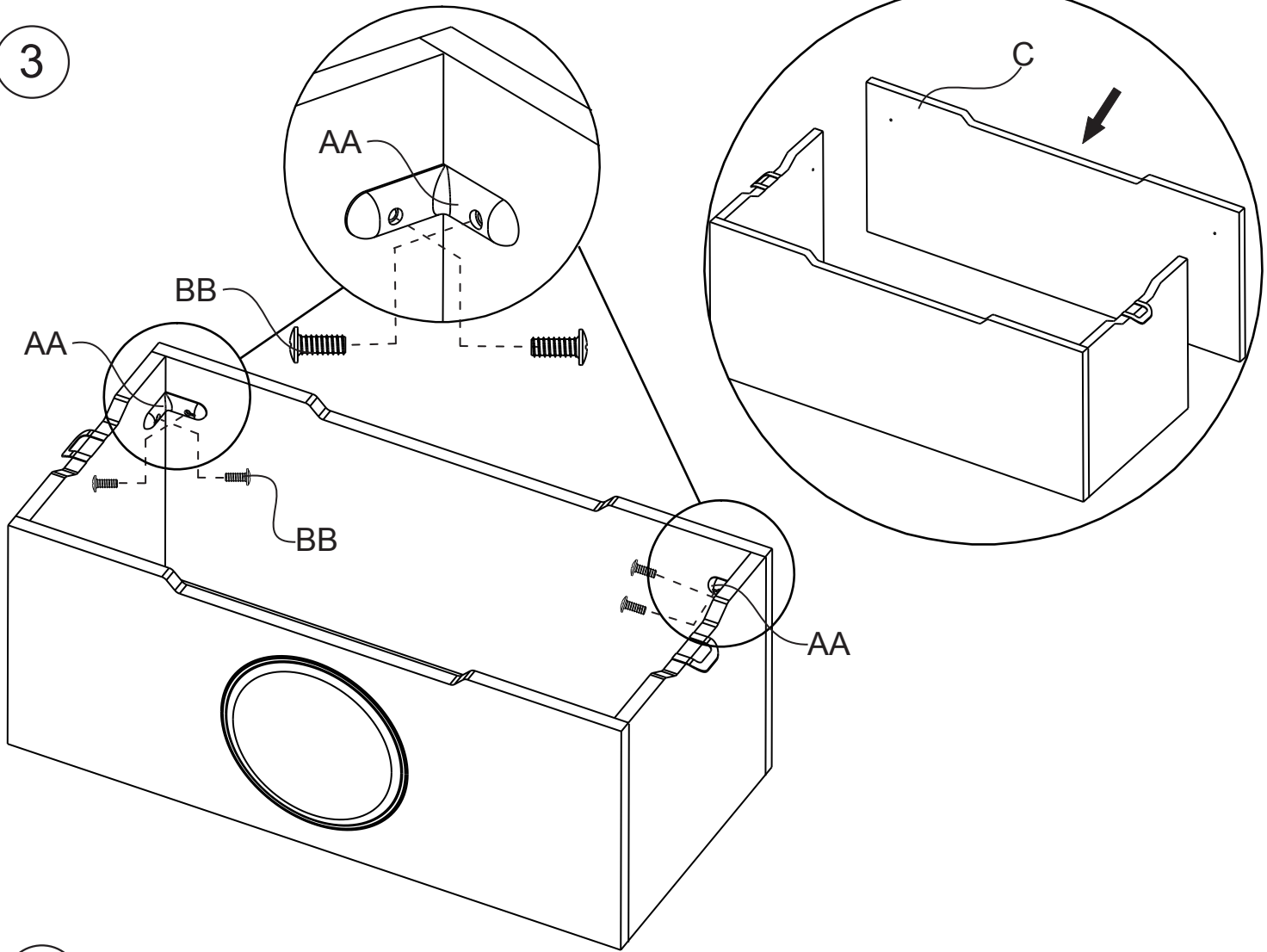


2

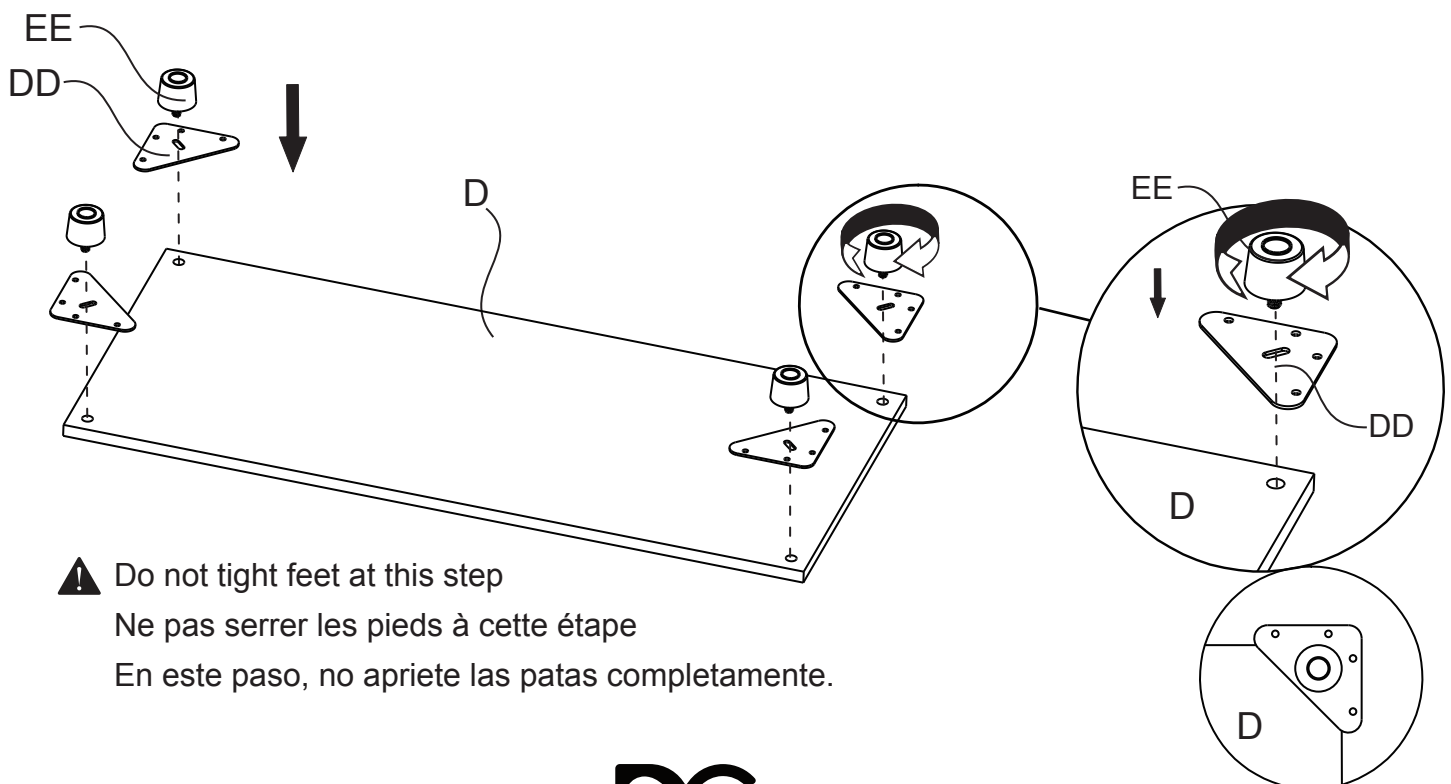




3



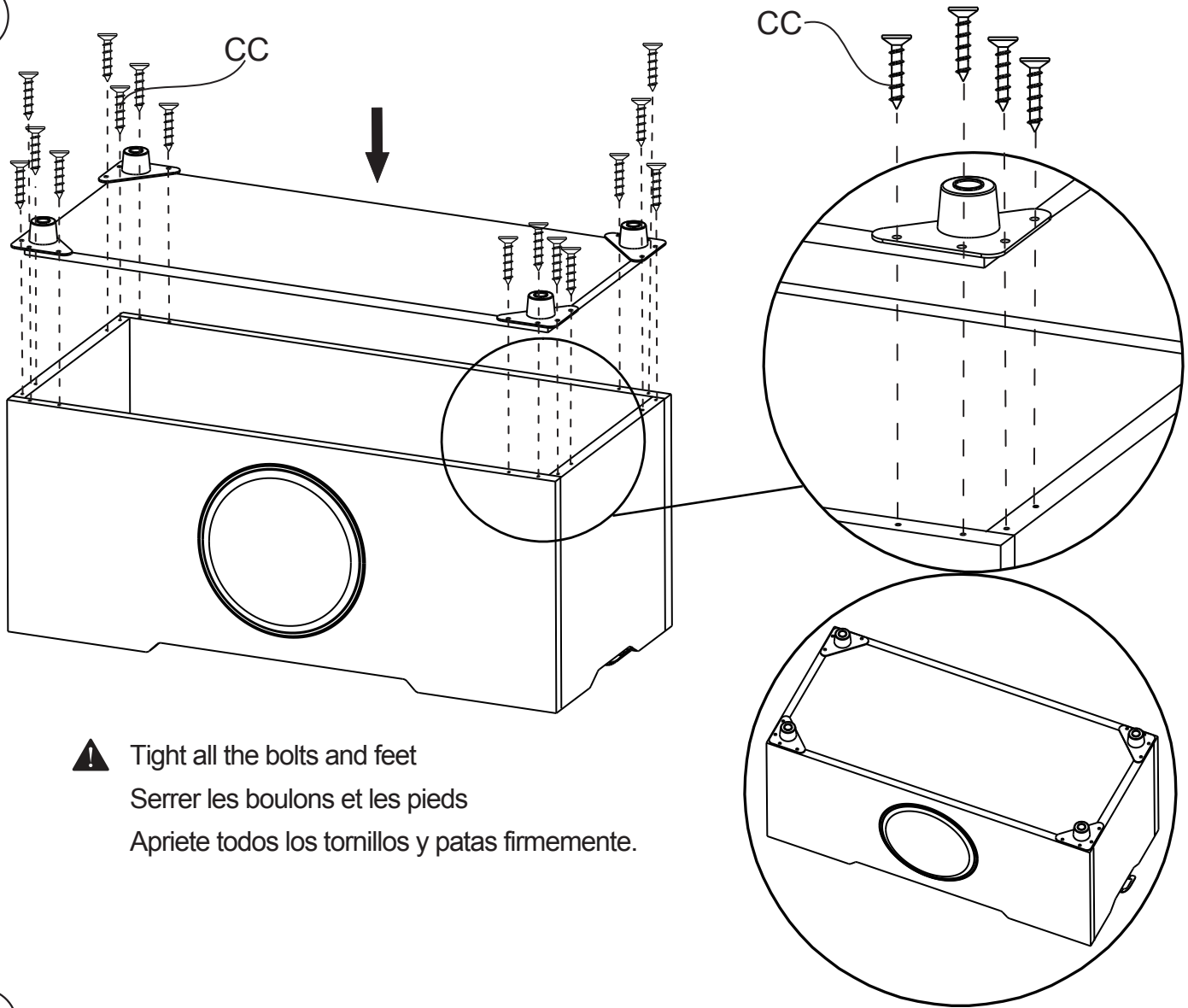
4



⚠ Do not tight feet at this step
 Ne pas serrer les pieds à cette étape
 En este paso, no apriete las patas completamente.

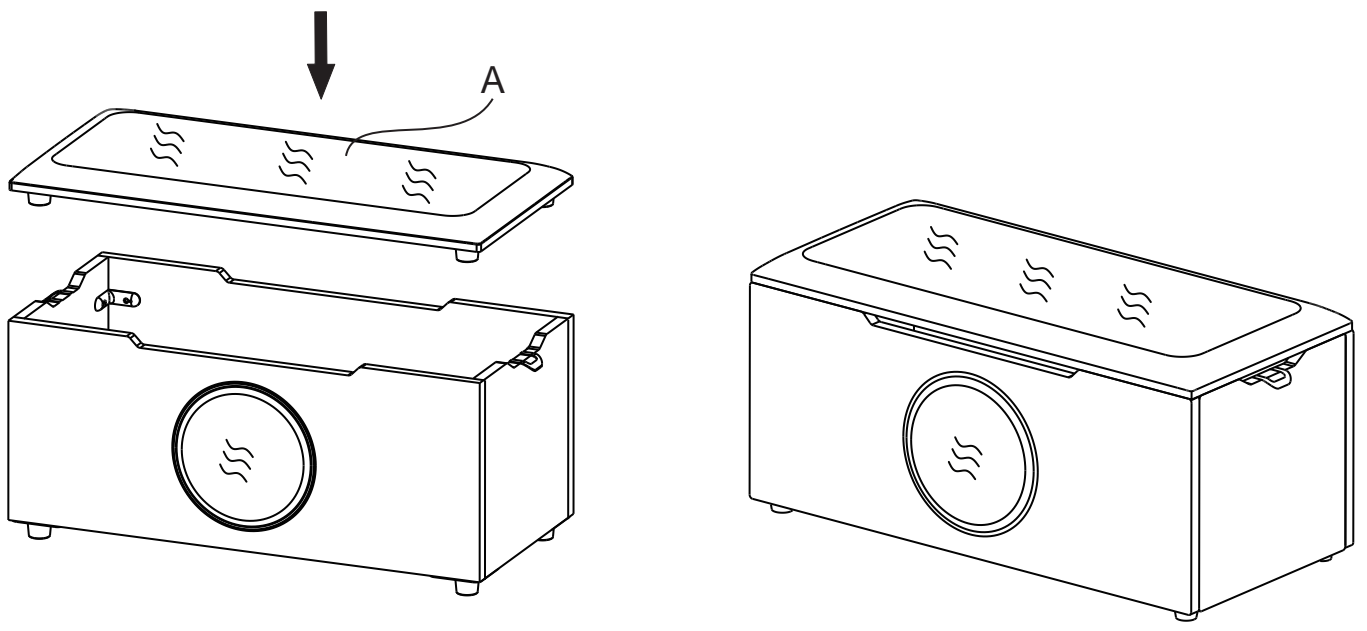


5



▲ Tight all the bolts and feet
Serrer les boulons et les pieds
Apretete todos los tornillos y patas firmemente.

6



WHY CHOOSE DELTA CHILDREN?

Visit Deltachildren.Com/Pages/Our-Story for more information

<p>DELTA LEADS 1 Out Of 2 Children In The U.S. Sleep In Our Products</p>	<p>DELTA GIVES 10% Of Our Proceeds Go Toward Improving The Lives Of Children</p>	<p>DELTA CARES We Test Above & Beyond Industry Safety Standards</p>	<p>DELTA IS DEDICATED Our Family-Run Company Has Been There For Your Family Since 1968</p>	<p>DELTA GROWS WITH YOU We Have Products For Every Age And Stage</p>	<p>Over 50 Years Of Safety, Style & Innovation</p>
---	---	--	---	---	---

Welcome to the **DELTA FAMILY**
Here's a Gift From Us To You











10% OFF

Your Next Purchase From DeltaChildren.com

USE CODE:
DELTA10

*Exclusions Apply
*Subject to Change

PRODUCTS FOR EVERY AGE AND STAGE

 CRIBS	 STROLLERS	 GLIDERS	 BASSINETS	 MATTRESSES	
 BABY GEAR	 TODDLER BEDS	 PLAYROOM FURNITURE	 TWIN BEDS	 BINS & ORGANIZERS	 DRESSERS

OUR FAMILY OF TOP BRANDS



OVER 50 YEARS OF SAFETY, STYLE, AND INNOVATION



1.Revision Date:	<u>2018/08/10</u>	Revision Note:	<u>由于急着要出货上一批次说明书脚垫是画小的(当时未确定使用那一种), 现在更新使用H3.5CM的,</u>
2.Revision Date:	<u>2019 04 18</u>	Revision Note:	<u>更新使用新版本说明书</u>
3.Revision Date:	<u>2019/12/10</u>	Revision Note:	<u>修改三合一偏心轮箭头方向</u>
4.Revision Date:	<u>20200902</u>	Revision Note:	<u>更新新版本Logo</u>
5.Revision Date:	<u>20210318</u>	Revision Note:	<u>更新新的安装方式, L塑料, 三角铁片,</u>
6.Revision Date:	<u></u>	Revision Note:	<u></u>

注：此页面仅为更新记录，测试，大货不用印刷此页，