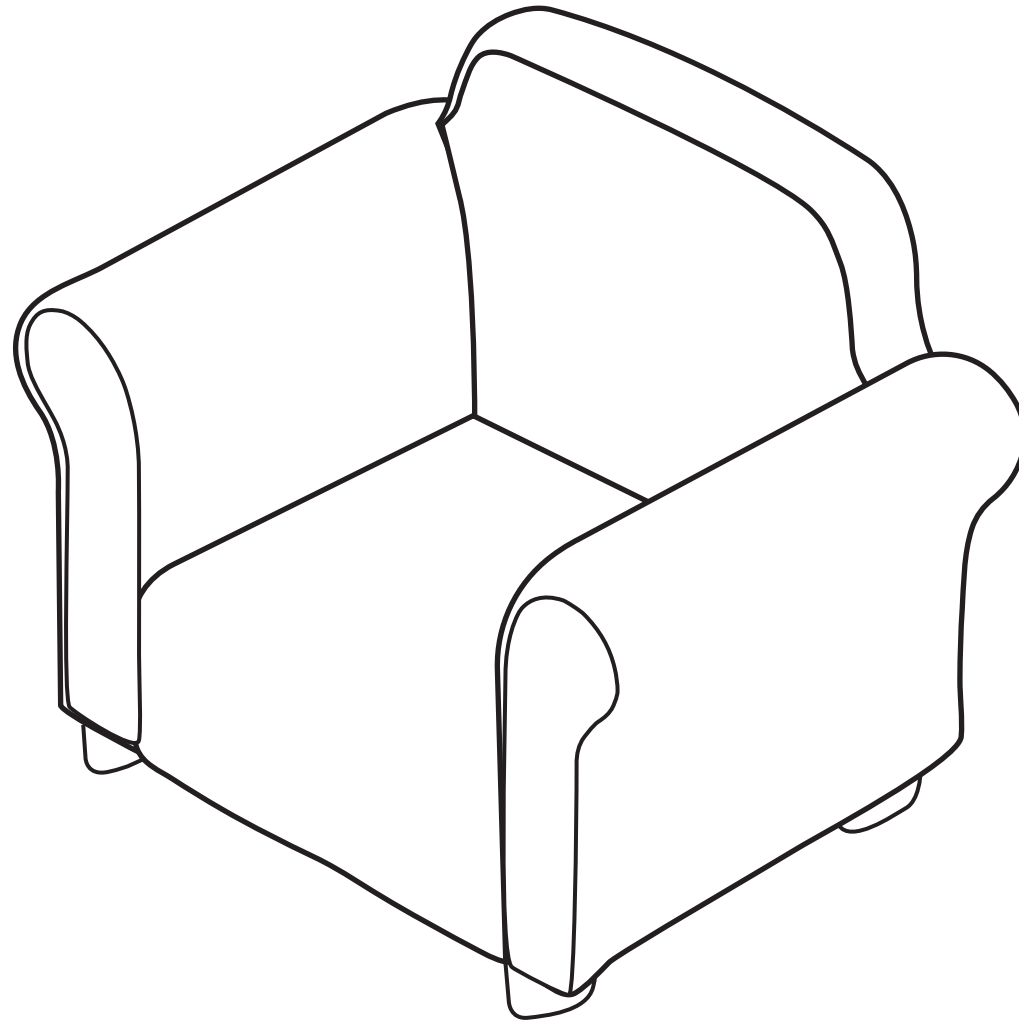




UPHOLSTERED CHAIR

UP528KD



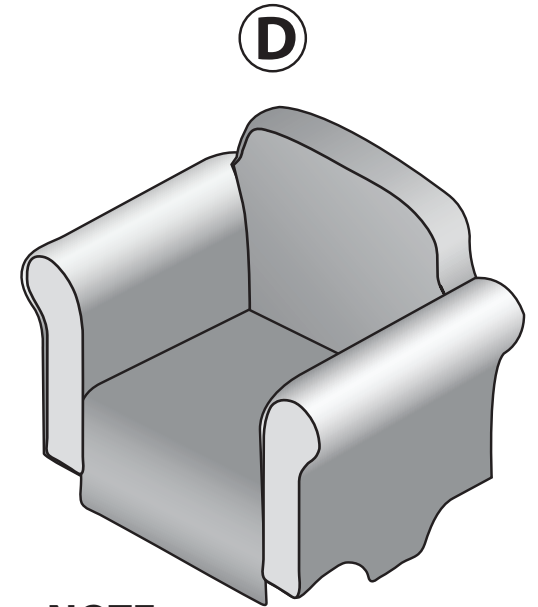
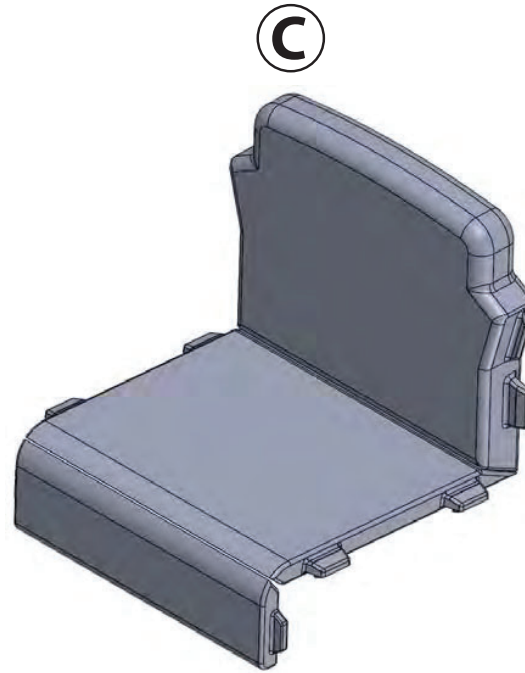
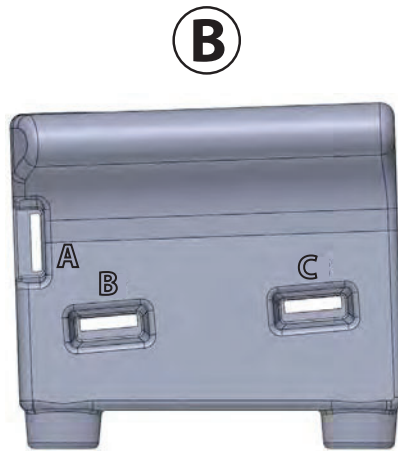
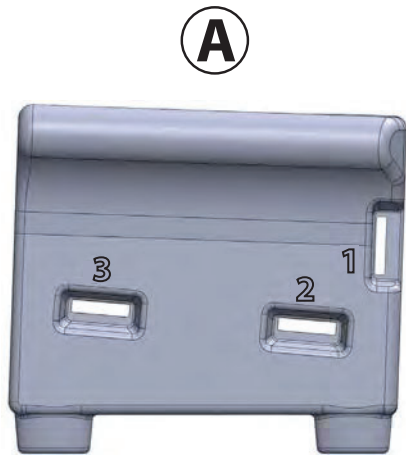
CHAIR

⚠ WARNING:

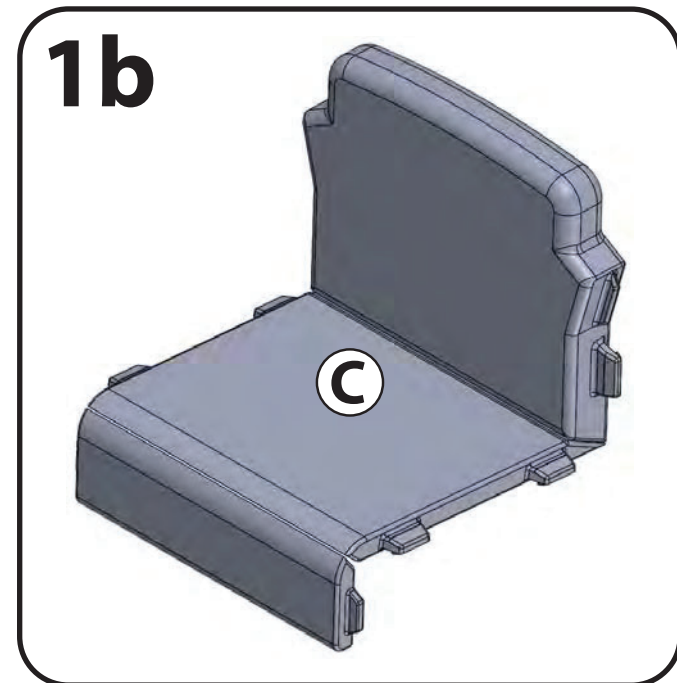
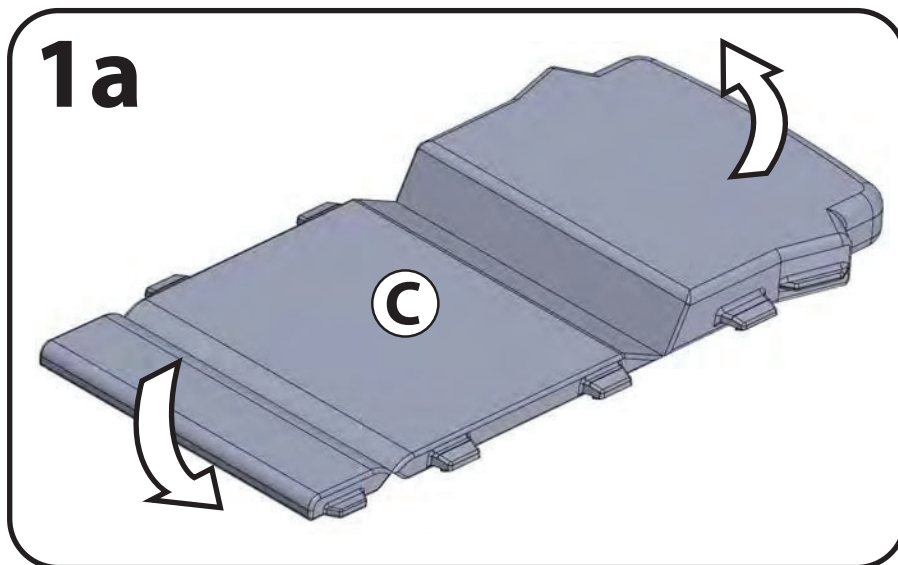
DO NOT ALLOW CHILDREN TO PLAY UNSUPERVISED ON ANY CHILDREN'S FURNITURE. FURNITURE IS NOT A TOY. WEIGHT LIMIT IS 50LBS/23KG. USE BEYOND THE INTENDED USE OR USE BY ANYONE BEYOND THE ABOVE WEIGHT LIMIT COULD RESULT IN INJURY.

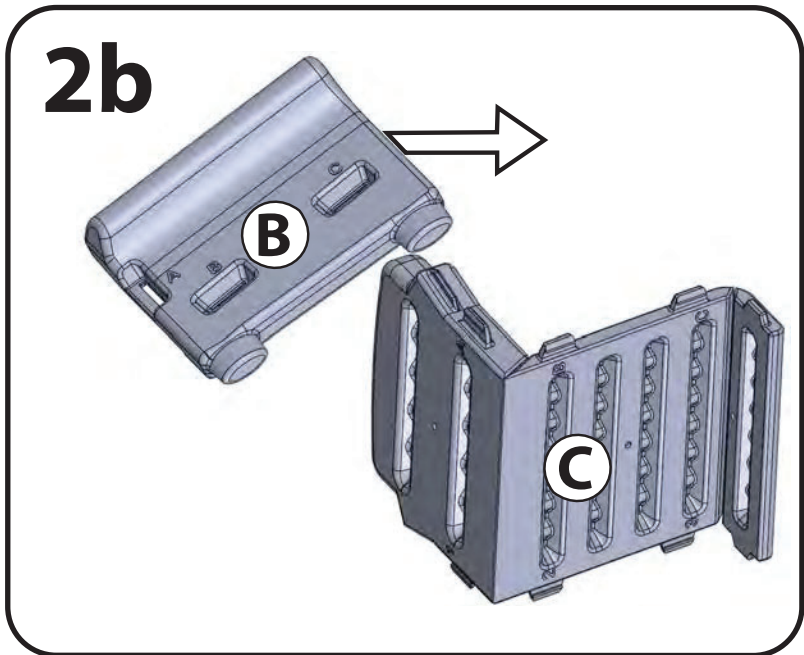
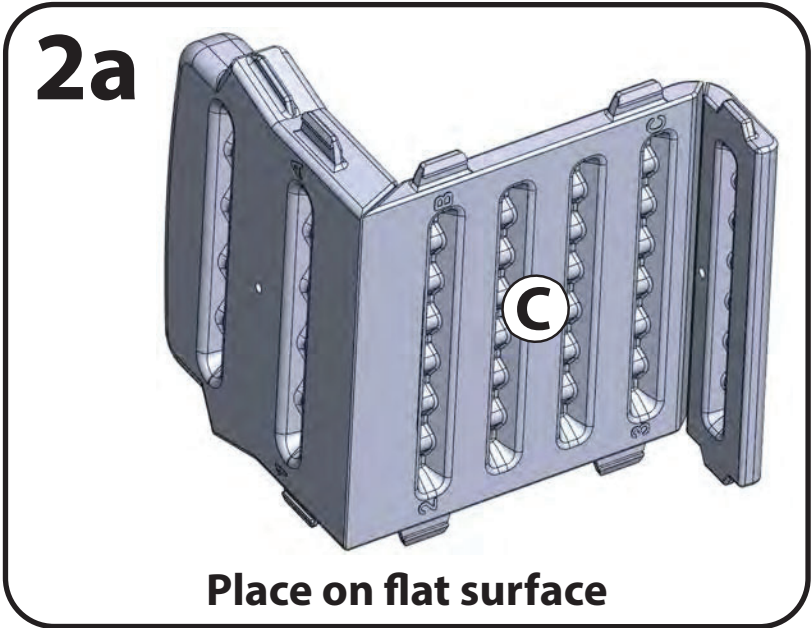
Upholstered Chair Parts

TO FULLY ASSEMBLE THE
UPHOLSTERED CHAIR YOU WILL NEED

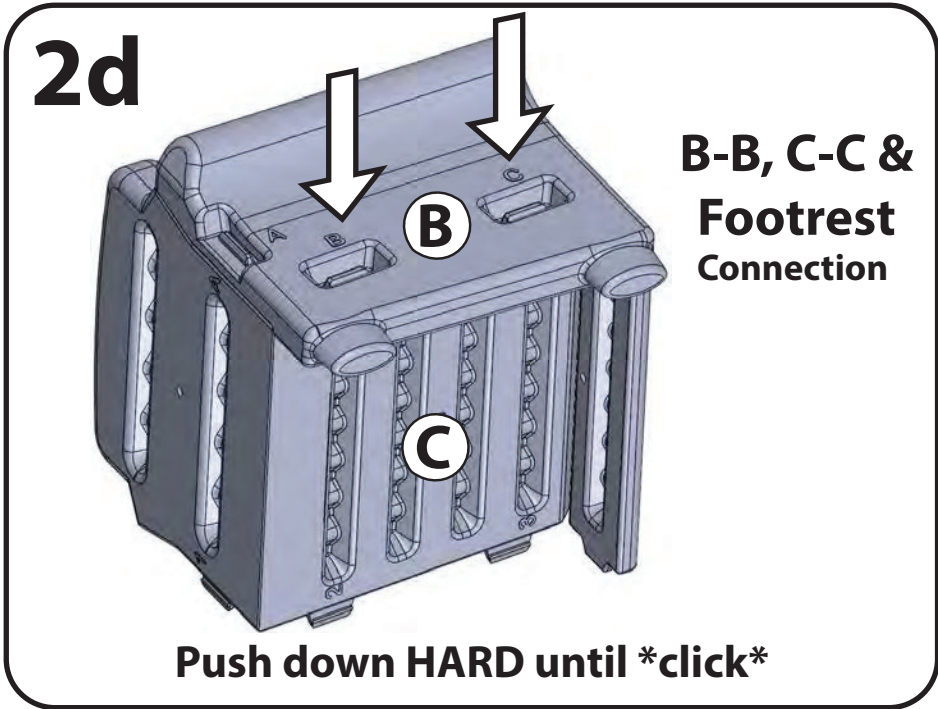
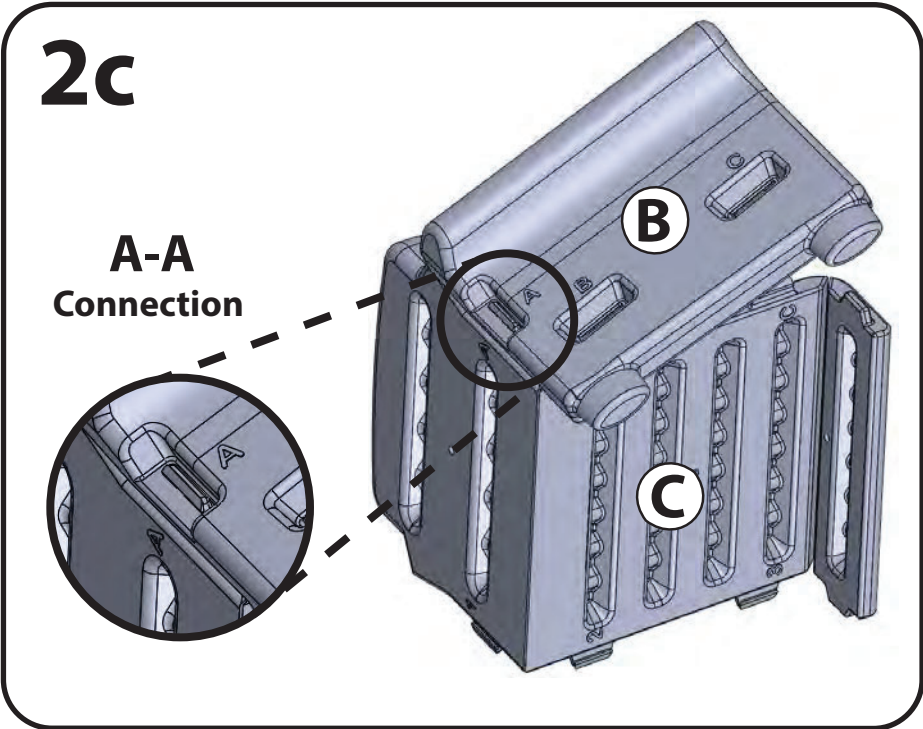


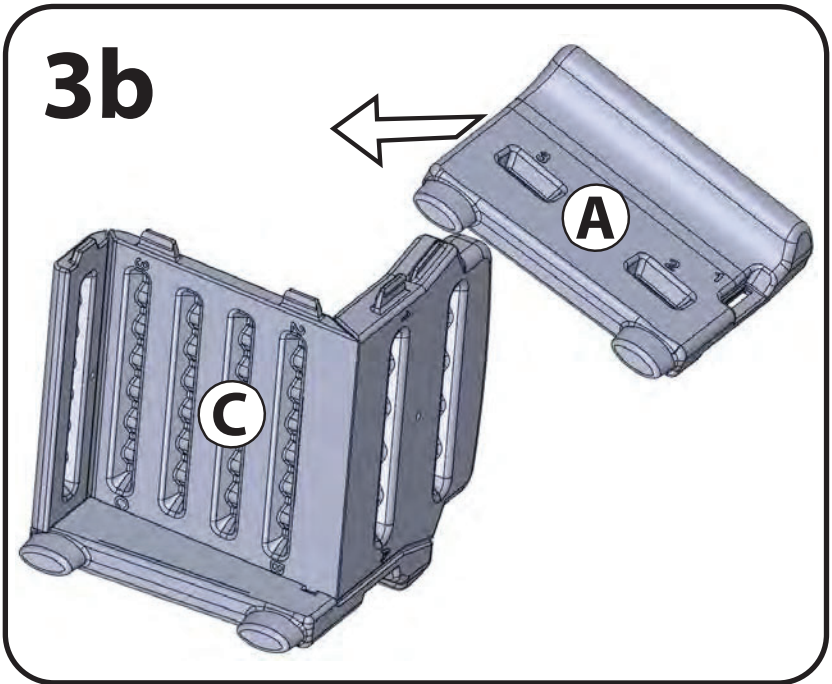
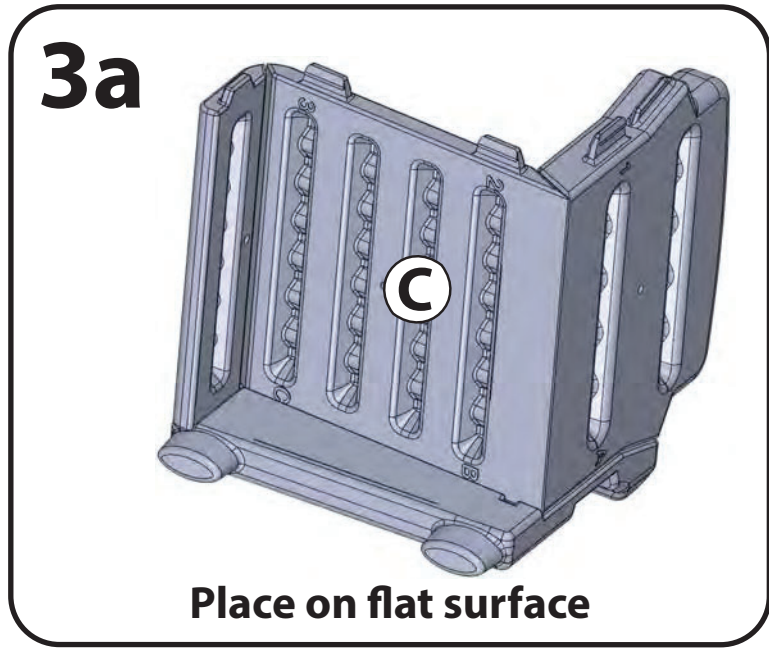
NOTE:
Cover will be inside out



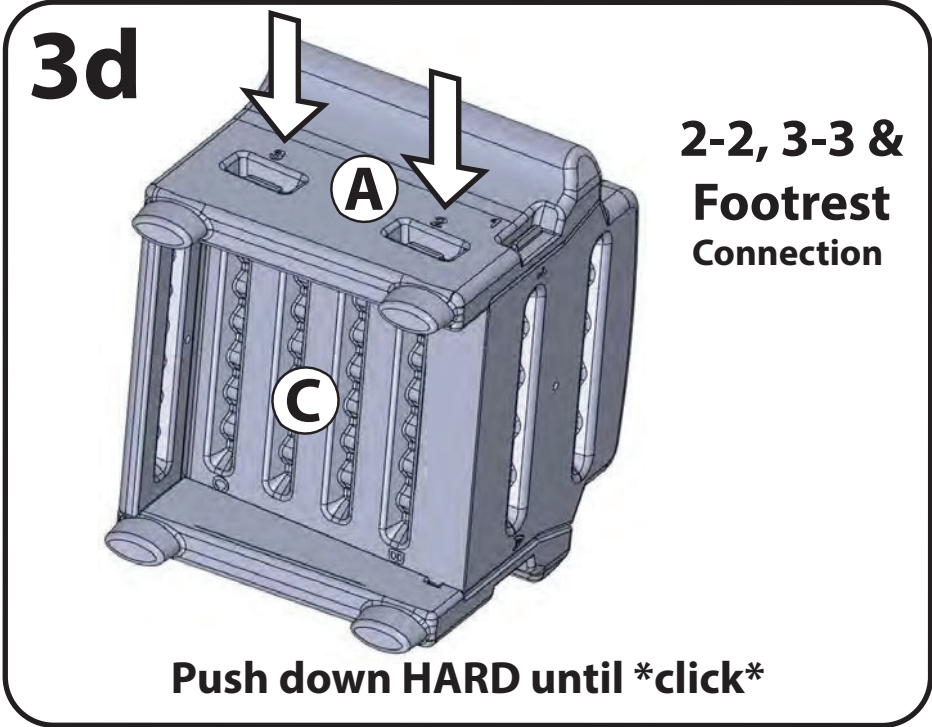
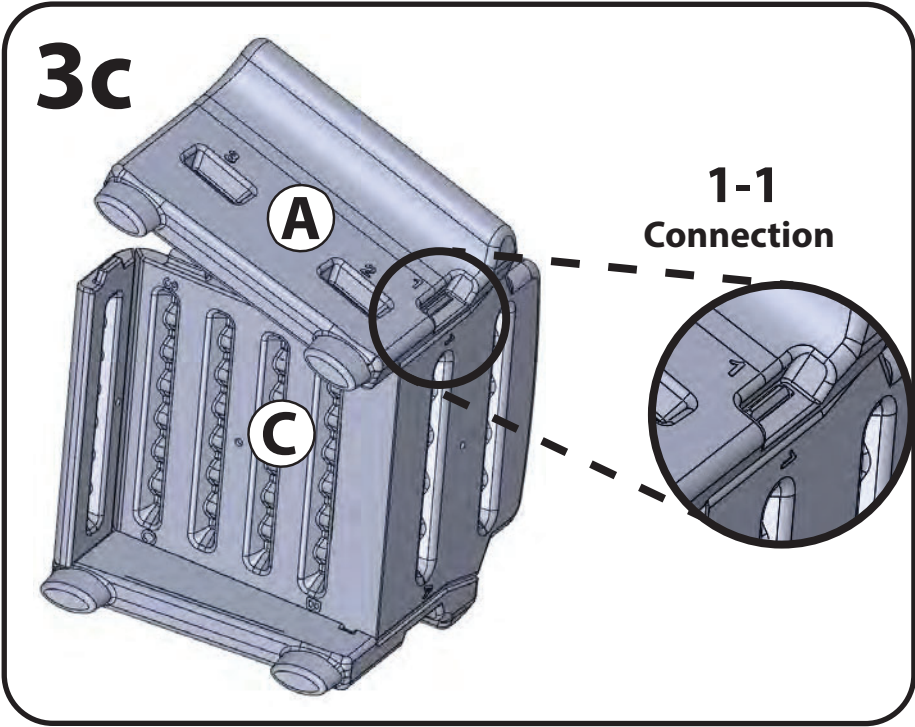


Match LETTERS

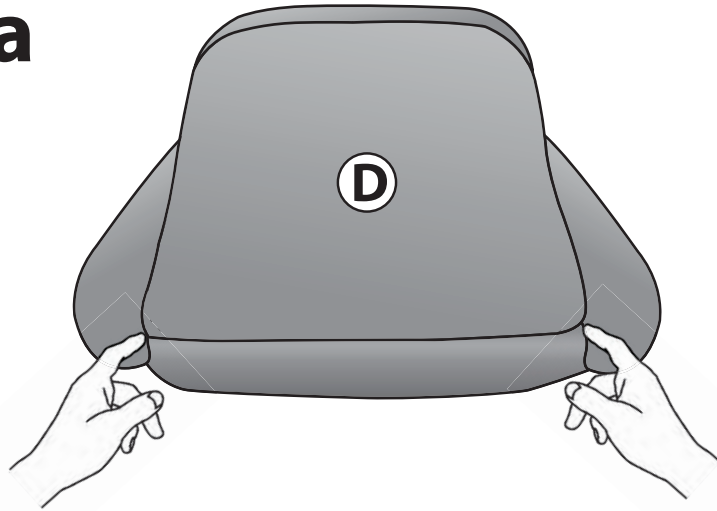




Match NUMBERS

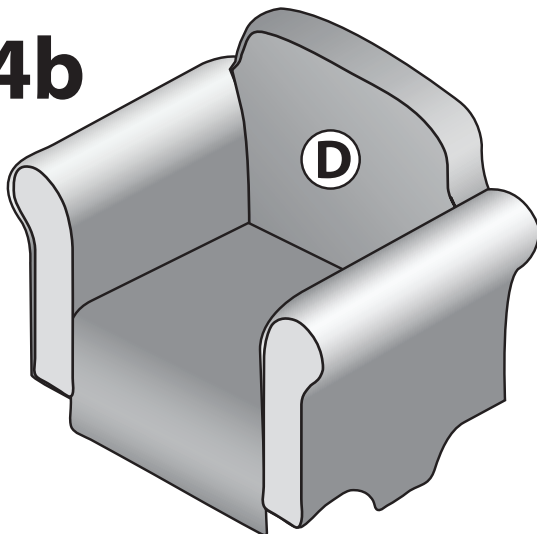


4a

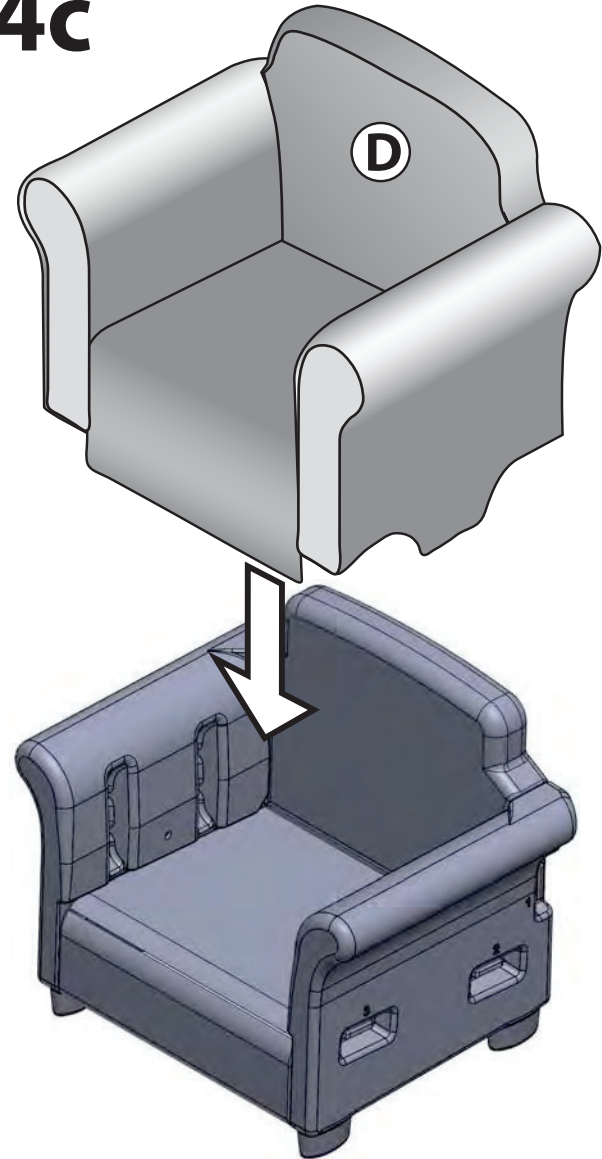


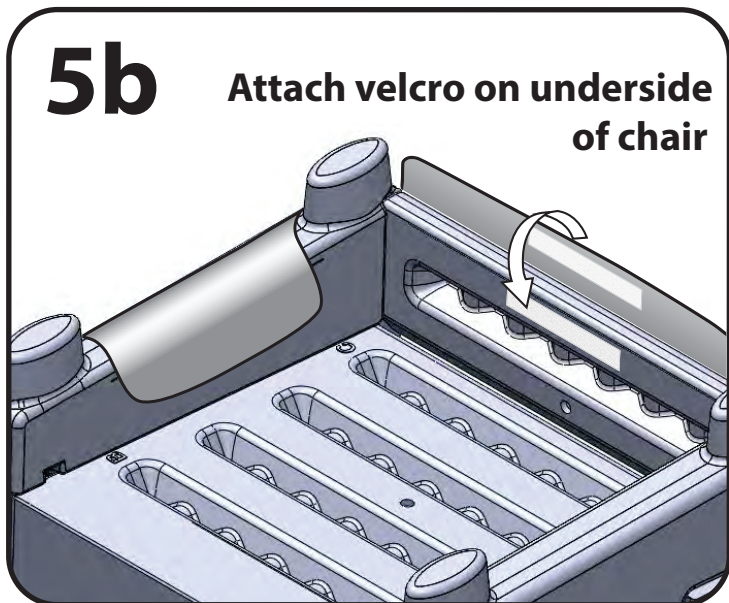
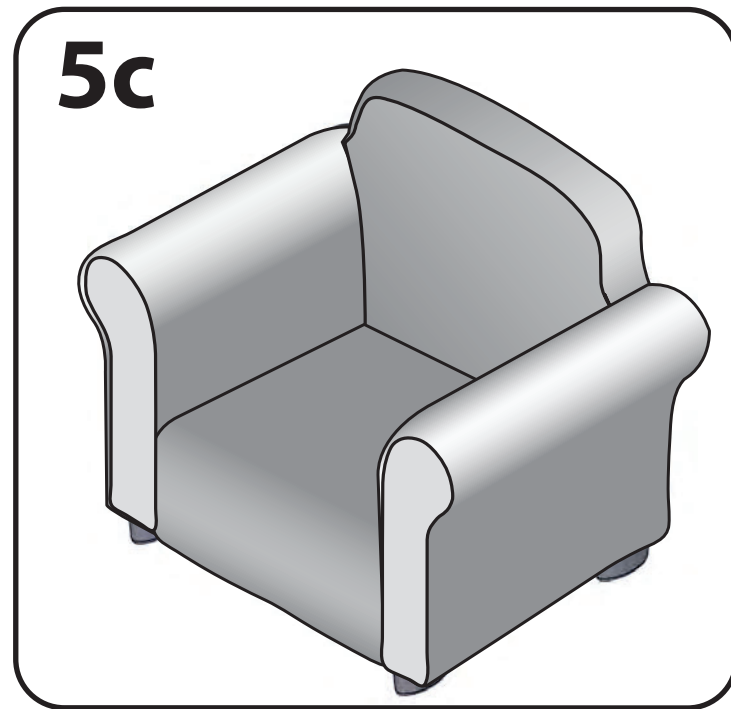
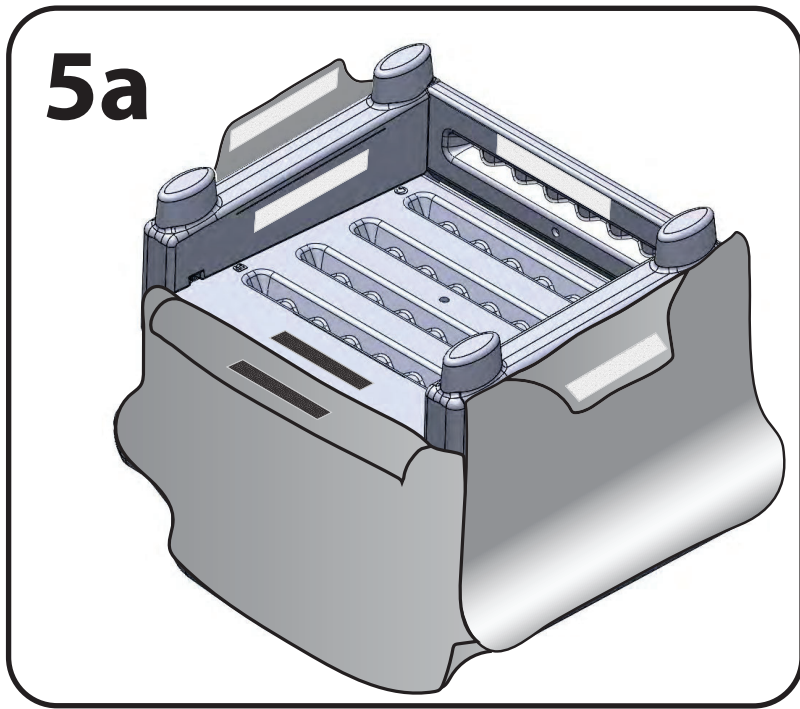
Push corners to reverse cover

4b



4c





CARE INFORMATION

To reduce soil buildup, weekly vacuuming is recommended for all fabric components. Use light dishwashing soap and water for more difficult stains.

▲WARNING:

DO NOT ALLOW CHILDREN TO PLAY UNSUPERVISED ON ANY CHILDREN'S FURNITURE. FURNITURE IS NOT A TOY. WEIGHT LIMIT IS 50LBS/23KG. USE BEYOND THE INTENDED USE OR USE BY ANYONE BEYOND THE ABOVE WEIGHT LIMIT COULD RESULT IN INJURY.

DELTA CHILDREN'S PRODUCTS
114 WEST 26TH STREET
NEW YORK, N.Y. 10001 U.S.A.
PHONE: (212) 645-9033

MANUFACTURED AND DISTRIBUTED BY
DELTA CHILDREN'S PRODUCTS
NEW YORK, NY 10001

MADE IN U.S.A

Meets all CPSC requirements and ASTM F2613 safety standard for children's chairs.

Colors and styles may vary slightly. Accessories not included.