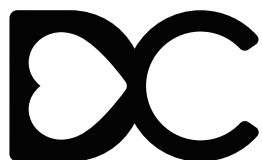




Read all instructions
before assembly and use.
KEEP INSTRUCTIONS FOR
FUTURE USE.

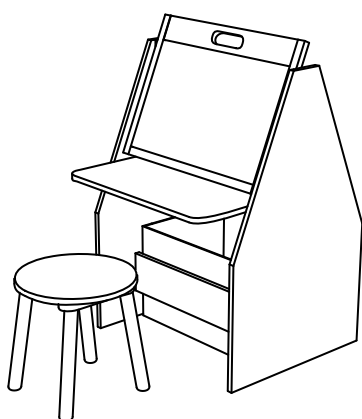
Lisez toutes les instructions avant
l'assemblage et l'utilisation.
CONSERVEZ LES INSTRUCTIONS
POUR UN USAGE ULTERIEUR.

Lea todas las instrucciones
antes de ensamblar y usar.
MANTENGA LAS INSTRUCCIONES
PARA SU USO FUTURO.



DELTACHILDREN

ACTIVITY CENTER
BASE D'ACTIVITEA
BASE DE ACTIVIDADES



⚠ ADULT ASSEMBLY REQUIRED
Due to the presence of small parts during assembly, keep out
of reach of children until assembly is complete.

**⚠ L'ASSEMBLAGE DOIT ETRE FAIT
PAR UN ADULTE**

A cause de la presence de petites pieces, pendant l'assemblage
gardez hors de portee des enfants jusqu'a ce que celui-ci soit
termine.

**⚠ DEBE SER ENSAMBLADO
POR UN ADULTO**

Debido a la presencia de piezas pequeñas durante el
ensamblaje, mantenga fuera del alcance de los niños hasta que
complete el ensamblaje.

This product is not intended for institutional or commercial use.
Ce produit ne pas destine a un usage institutionnel ou commercial.
Este producto no esta hecho para uso institucional o comercial.

NEED EXTRA HELP?

We make assembly easy with
our tips & tricks video

[https://www.deltachildren.com/
pages/instructions](https://www.deltachildren.com/pages/instructions)

BESOIN D'AIDE SUPPLÉMENTAIRE?

Nous facilitons l'assemblage avec
nos trucs et astuces vidéo

[https://www.deltachildren.com/
pages/instructions](https://www.deltachildren.com/pages/instructions)

¿NECESITA AYUDA EXTRA?

Hacemos el montaje fácil con
nuestros consejos y trucos video

[https://www.deltachildren.com/
pages/instructions](https://www.deltachildren.com/pages/instructions)

When contacting Delta Consumer Care, please reference the information on the Product Information label found on the product.

Lorsque vous contactez le Service après Vente de Delta, veuillez nous donner les références sur l'étiquette d'Information qui se trouve sur le produit.

Cuando contacte al Servicio de Atención al Consumidor de Delta por favor mencione los datos que aparecen en la etiqueta de información que se encuentra en el producto.



DELTA CHILDREN'S PRODUCTS CORP
114 WEST 26TH STREET. M / #: xxxxx
NEW YORK, NY 10001. PO #: xxxxx LOT #: xxxxx
Email: tcs@DeltaChildren.com D. O. M.: xxxxx
TEL.: 646-435-8728 Base Model: TE111
FABRIQUÉ EN CHINE TSCA VI
MADE IN CHINA

Product information label
L'étiquette d'information
Etiqueta de información

Consumer Care:

Delta Children's Products Corp
114 West 26th Street New York, NY 10001

Tel: (646) 435-8728

Email: tcs@DeltaChildren.com

<https://www.deltachildren.com/pages/instructions>



SAVE BIG WITH DELTA CHILDREN

Visit Deltachildren.com To Start Shopping

Welcome to the
DELTA FAMILY
Here's a Gift From Us To You

10% OFF

Your Next Purchase From
DeltaChildren.com

USE CODE:
DELTA10

*Exclusions Apply
*Subject to Change

REVIEW TO WIN \$2500

RULES TO ENTER



"We LOVE, LOVE, LOVE this crib"

My husband was impressed with the directions and organization of the hardware package. He easily assembled this crib in an hour without any help. It's very sturdy and we like that it has adjustable levels for the mattress height. To top it all off, it's so incredibly darling!!!

- 1** WRITE A REVIEW for this product on the store's website from where it was purchased
- 2** TAKE A SCREENSHOT of your review and upload it to www.DeltaChildren.com/Review
- 3** IT'S THAT EASY! Upon submission, you'll be instantly ENTERED TO WIN \$2,500

FOLLOW US FOR MORE CHANCES TO WIN



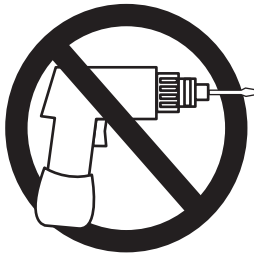
@deltachildren

SCAN HERE

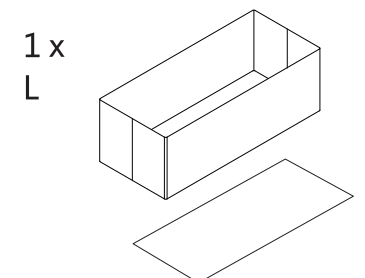
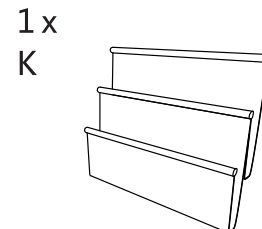
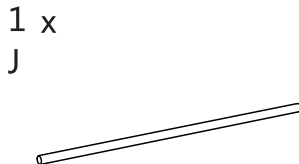
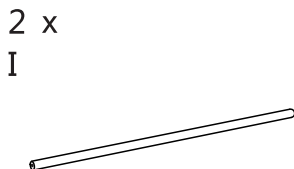
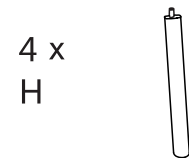
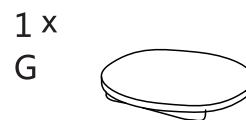
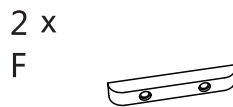
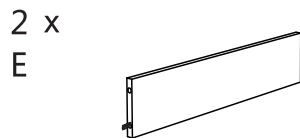
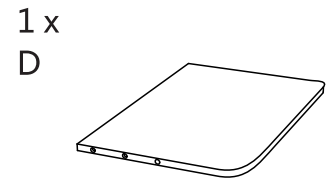
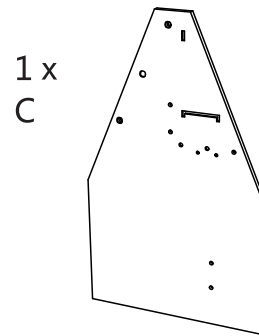
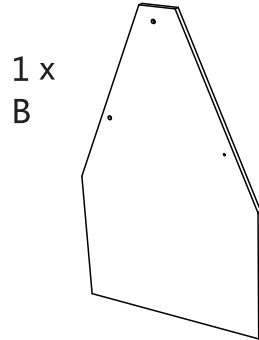
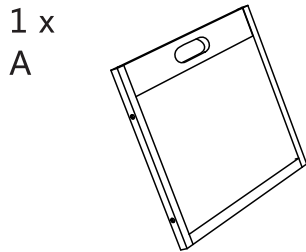
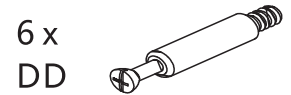
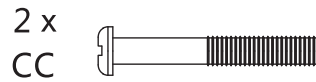


For more information
and to see all of our
products



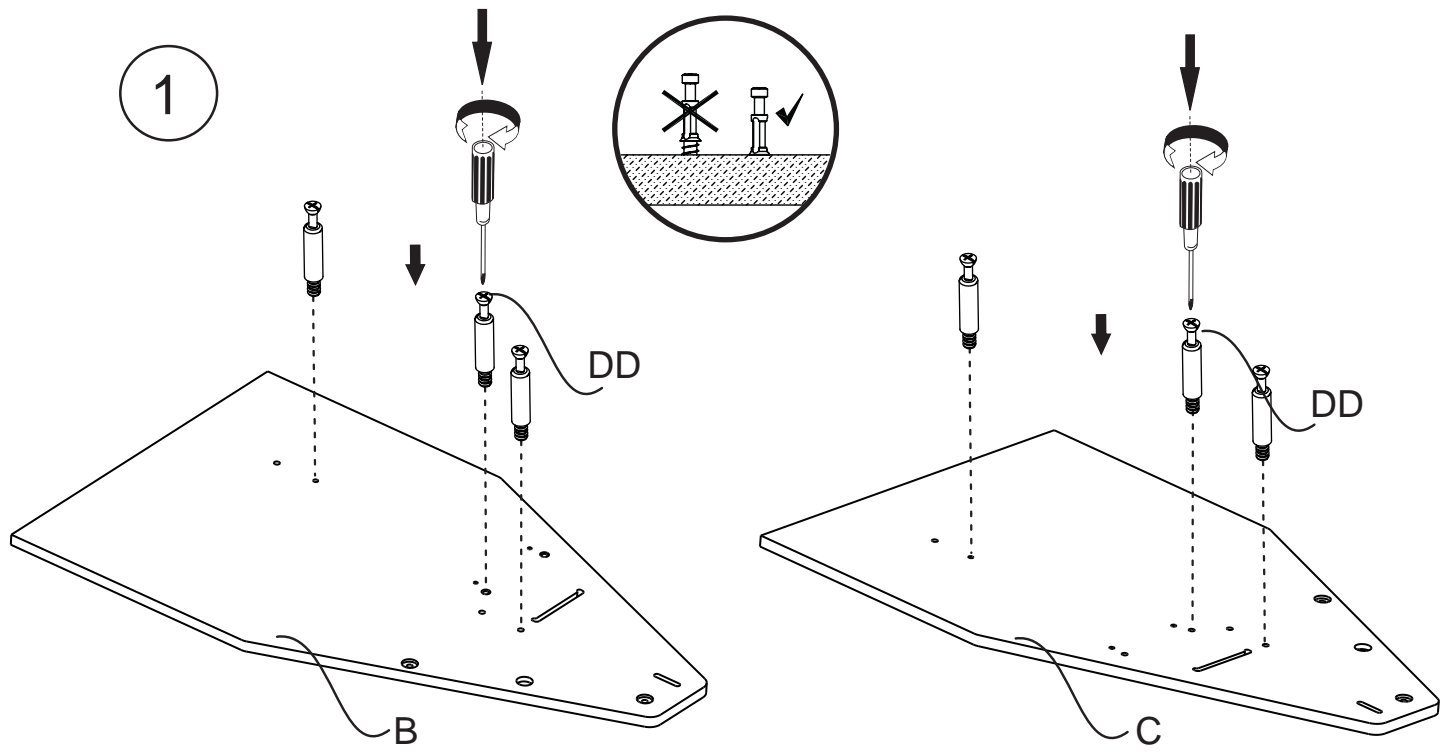


Required Tools
Outils Nécessaires
Herramientas necesarias

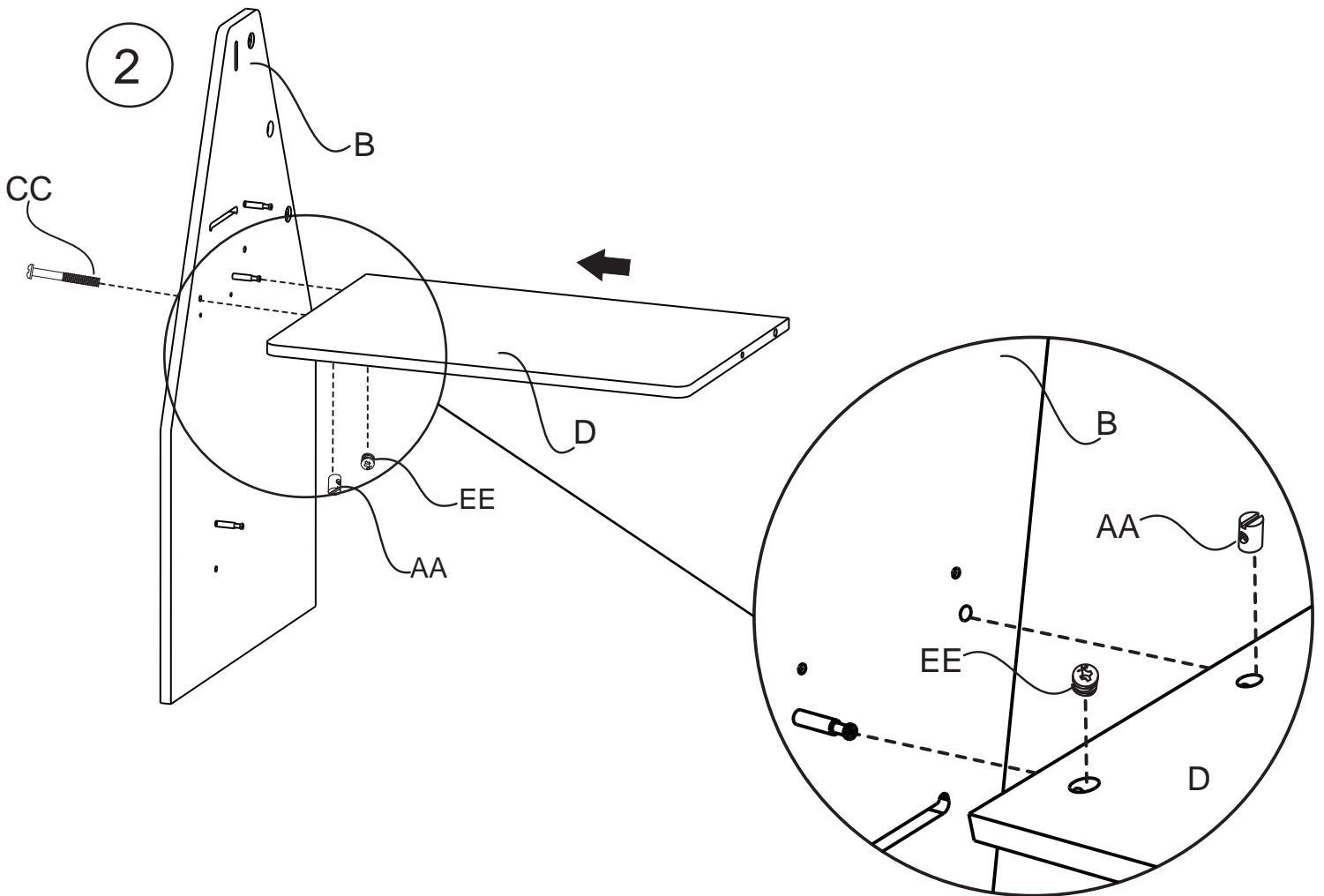


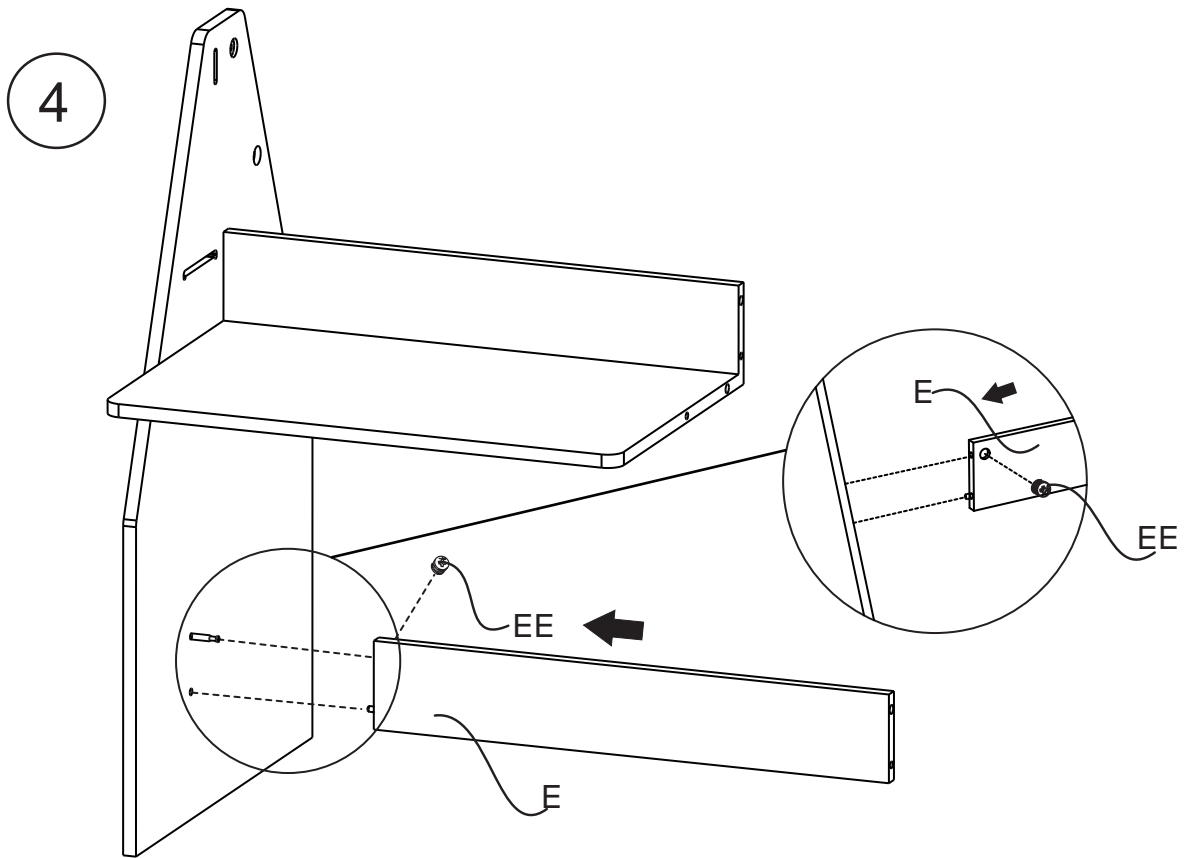
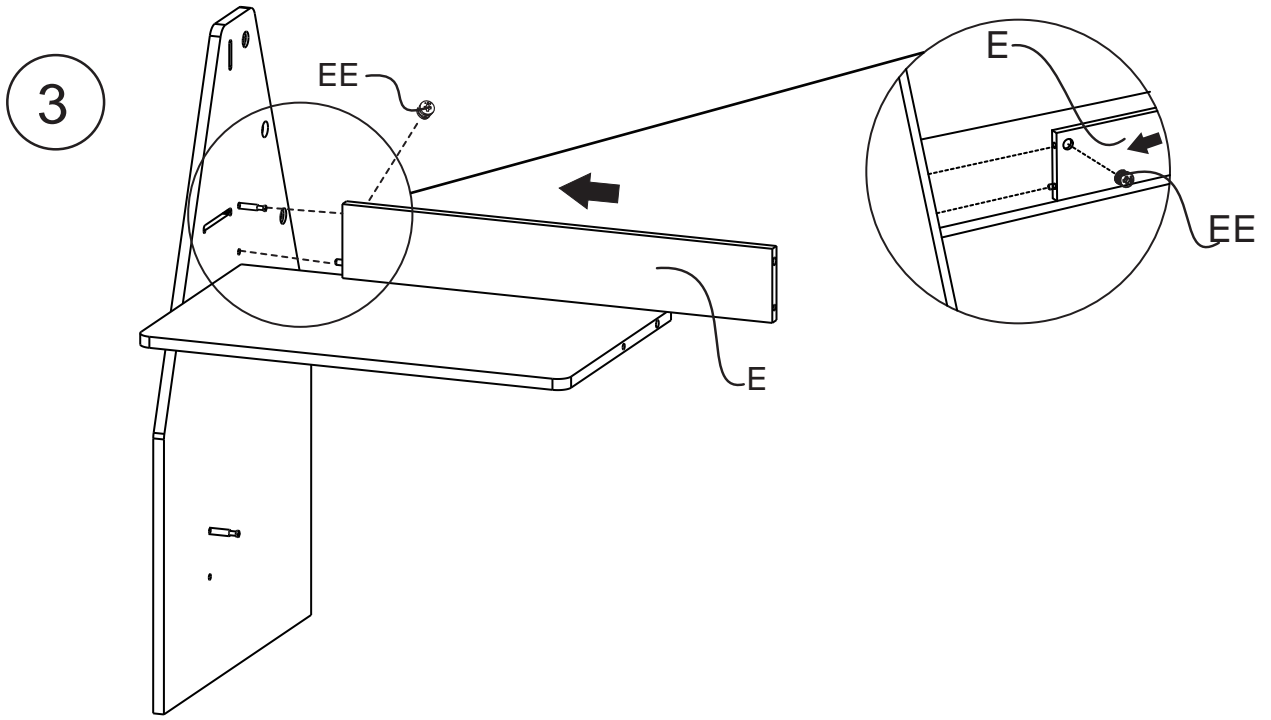


1



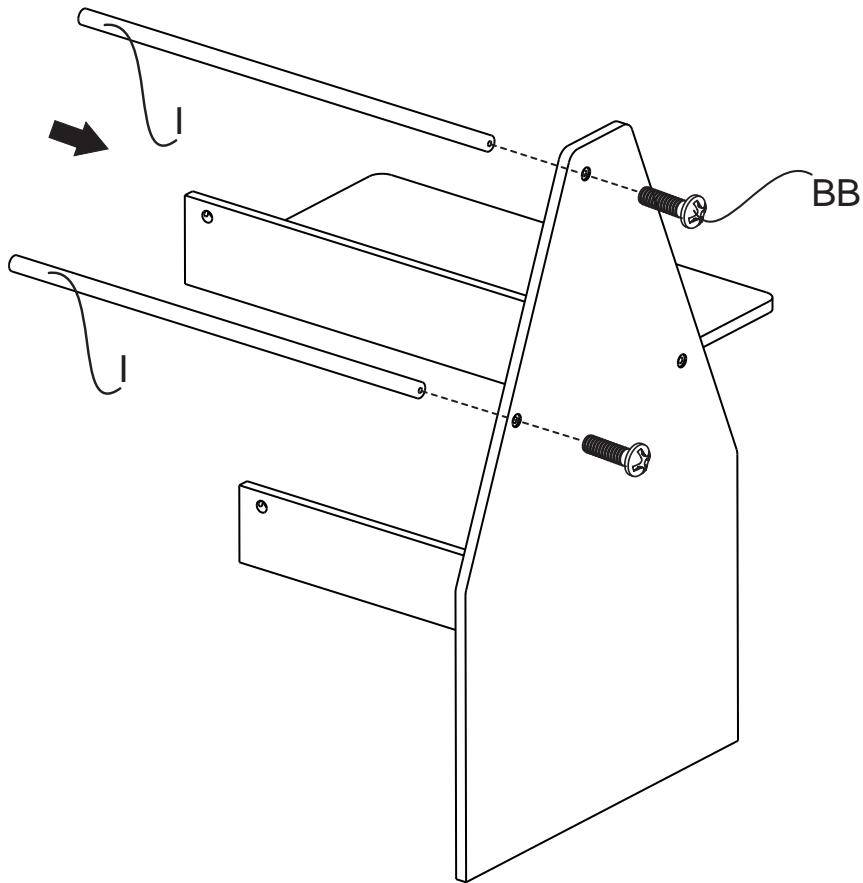
2



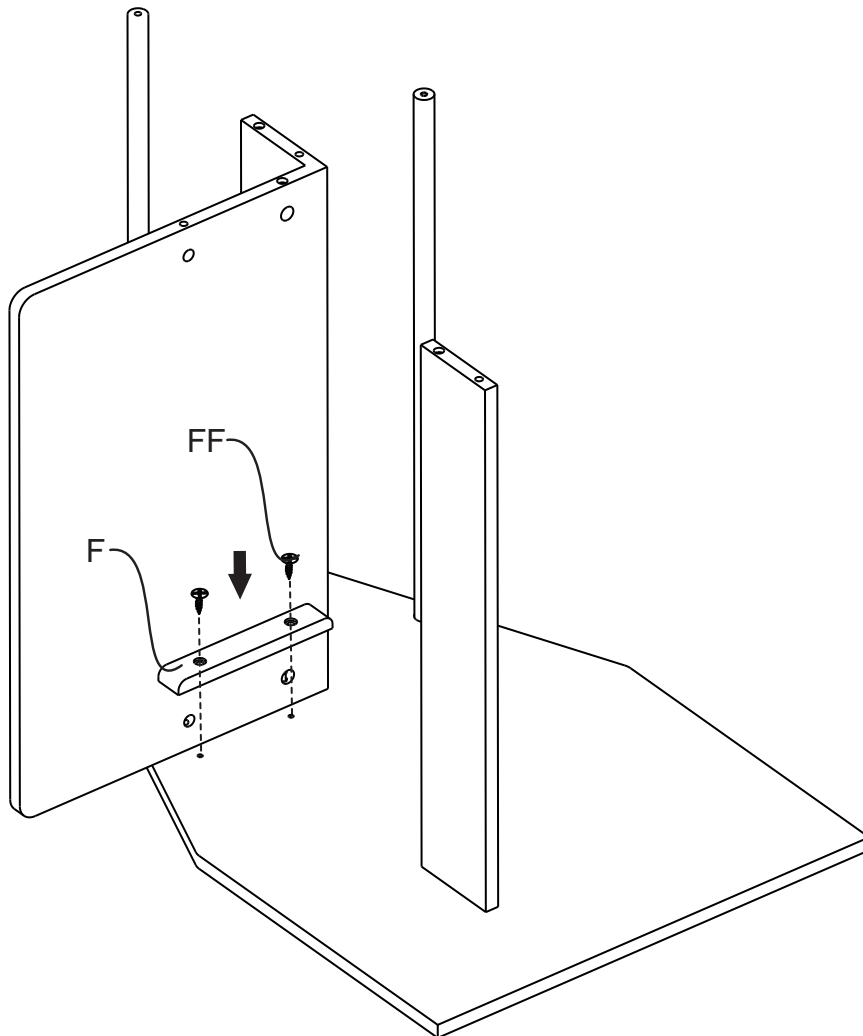




5

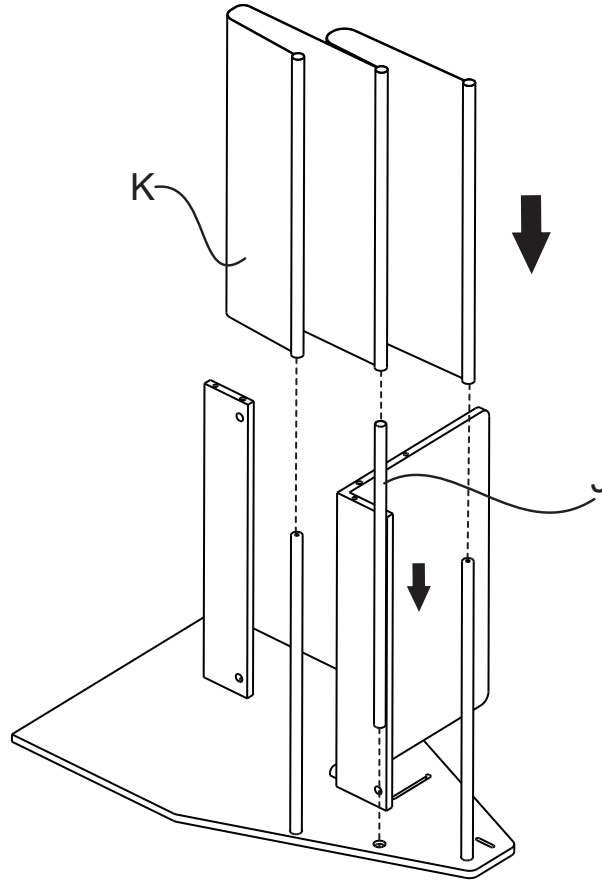


6

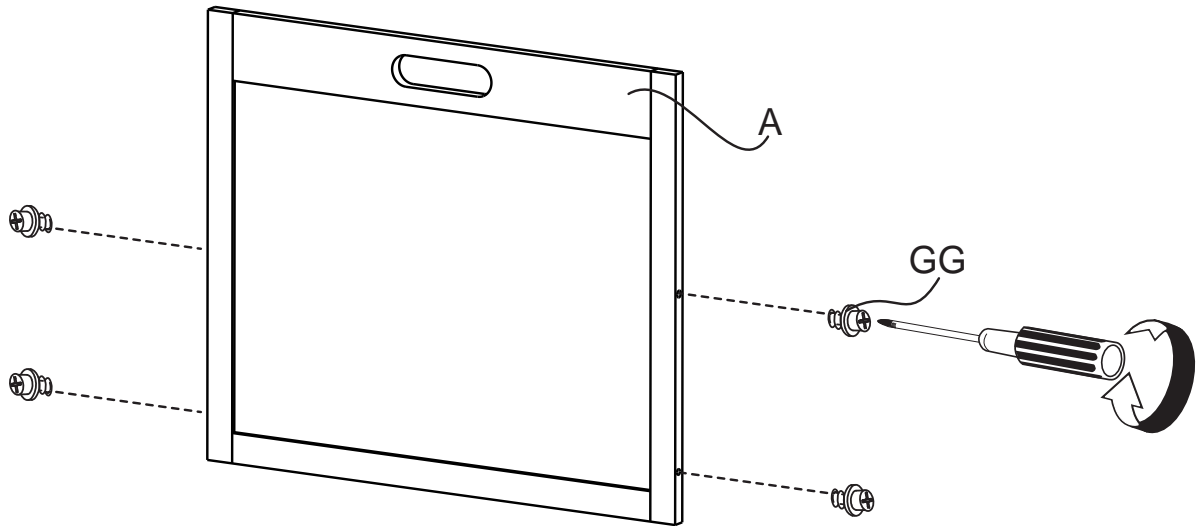


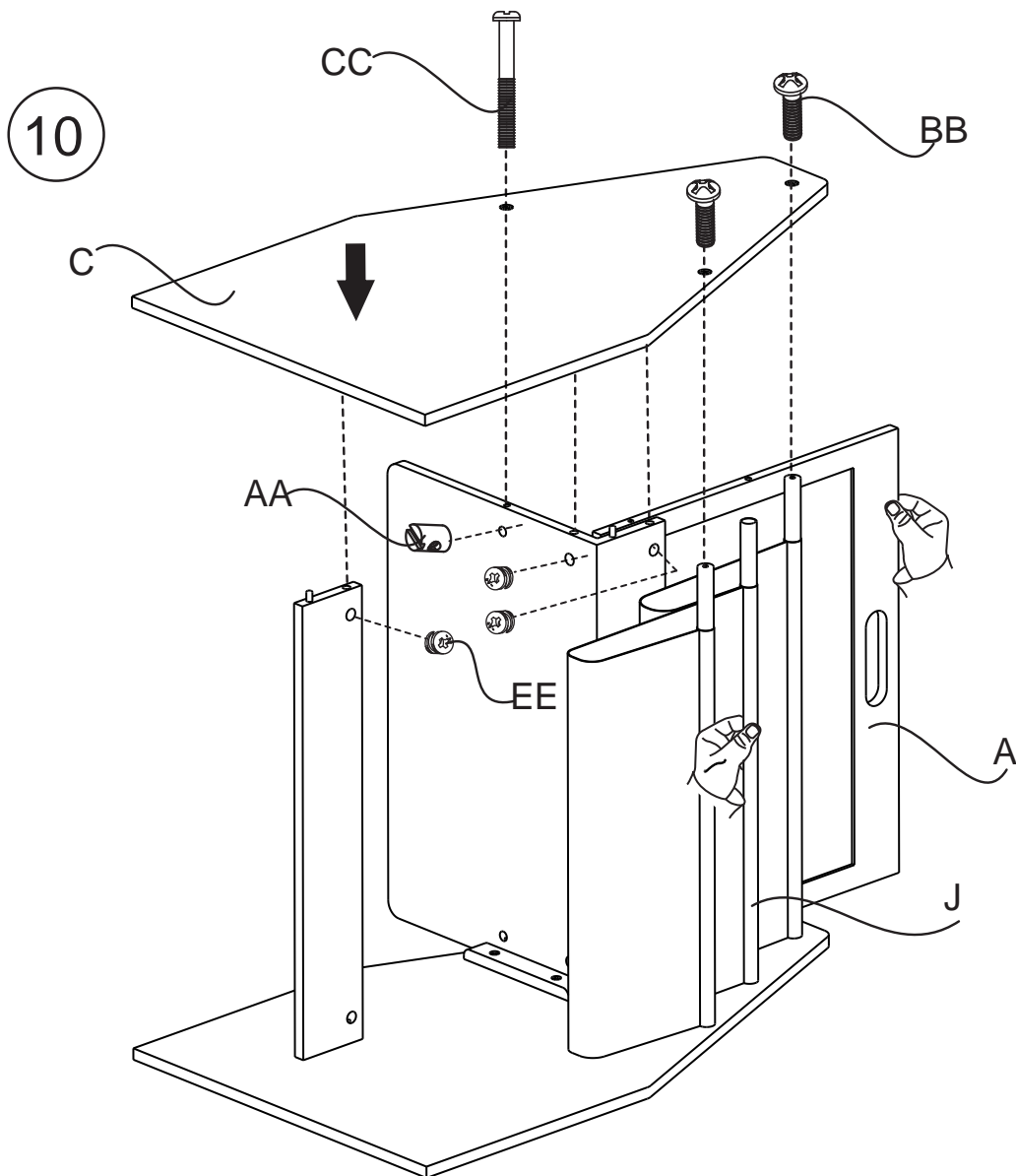
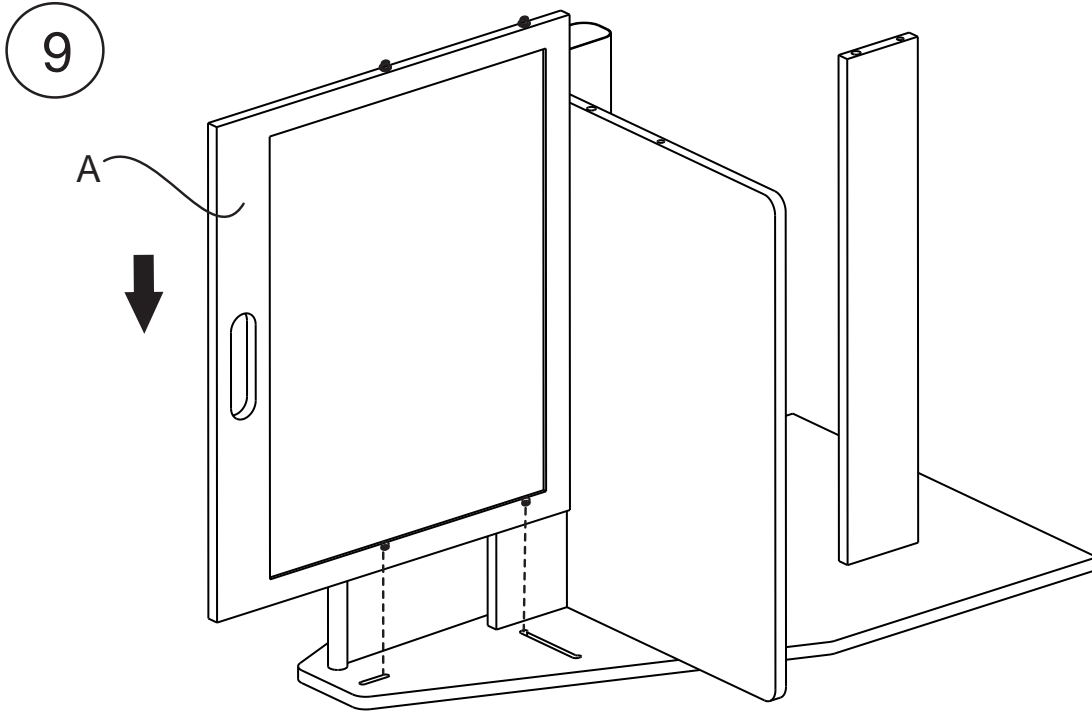


7



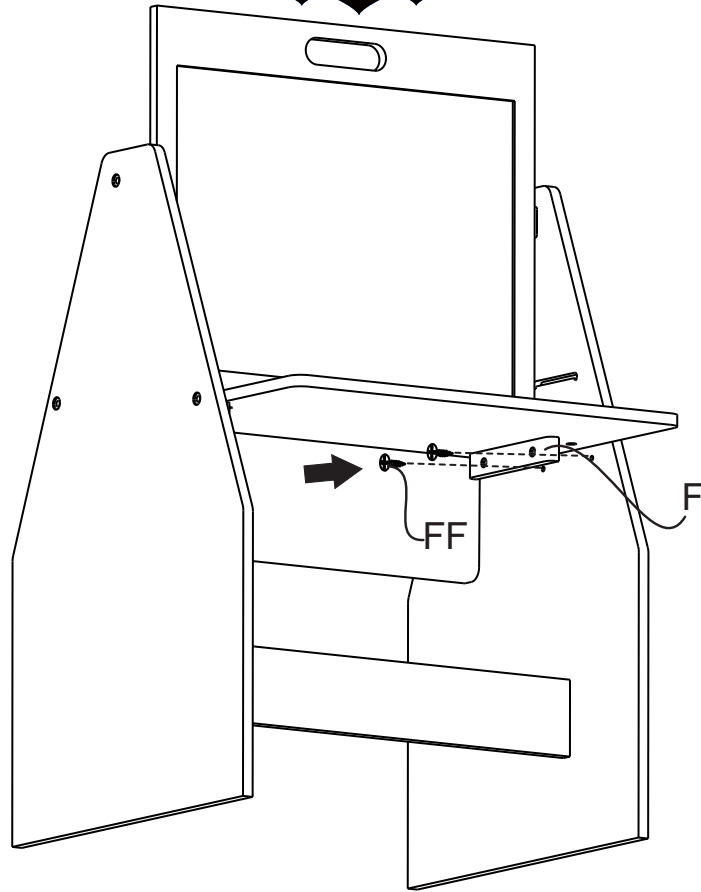
8



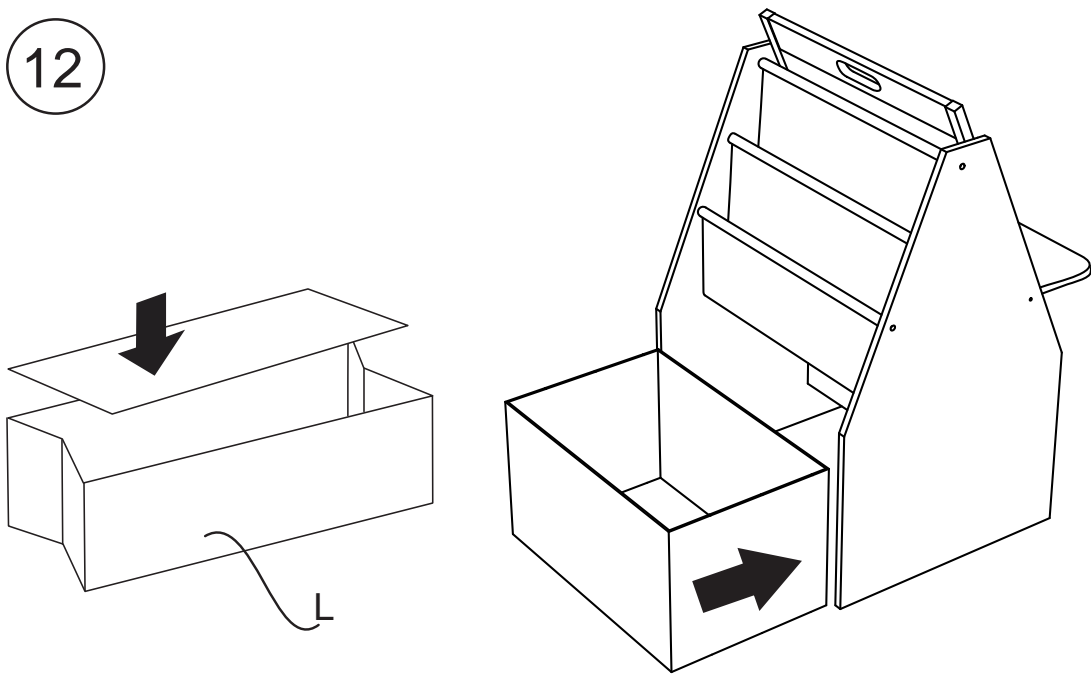


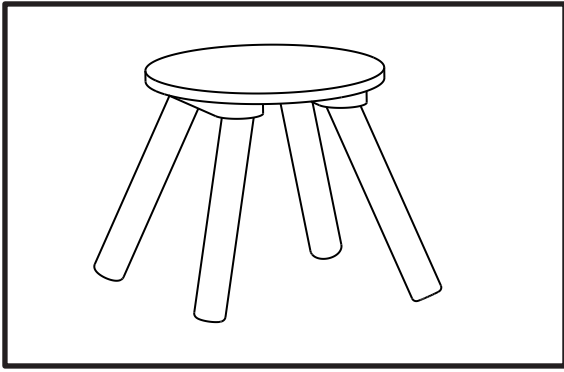


11

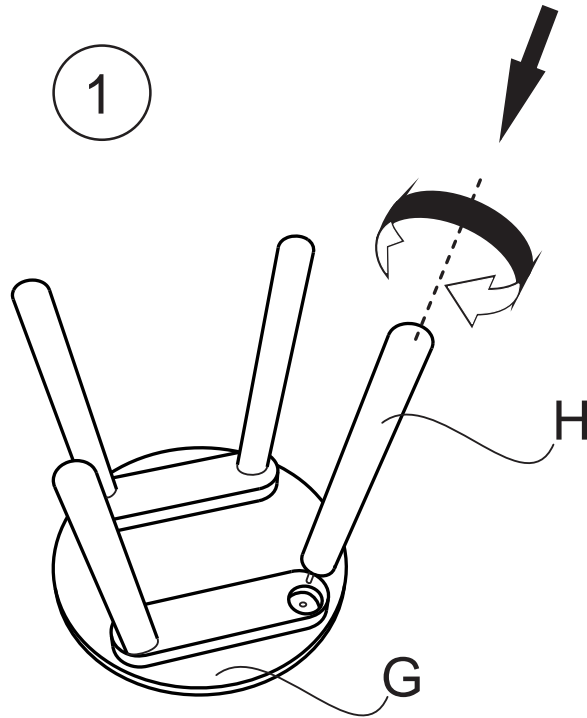


12

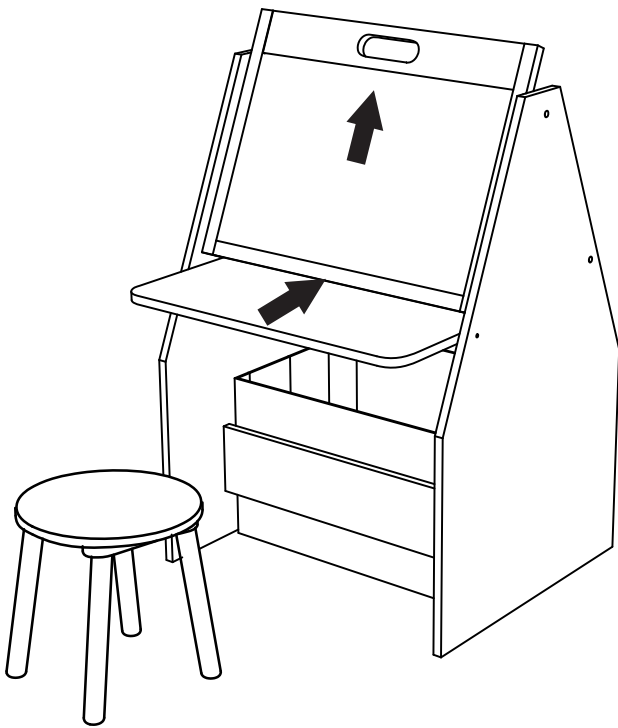




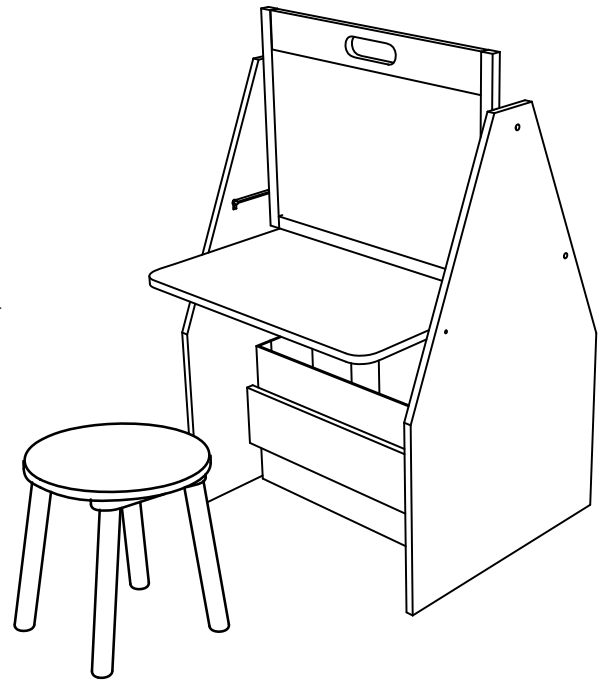
1



2



3



♥♥♥

WHY CHOOSE DELTA CHILDREN?

Visit Deltachildren.Com/Pages/Our-Story for more information

<p style="text-align: center;">DELTA LEADS</p> <p>1 Out Of 2 Children In The U.S. Sleep In Our Products</p>	<p style="text-align: center;">DELTA GIVES</p> <p>10% Of Our Proceeds Go Toward Improving The Lives Of Children</p>	<p style="text-align: center;">DELTA CARES</p> <p>We Test Above & Beyond Industry Safety Standards</p>	<p style="text-align: center;">DELTA IS DEDICATED</p> <p>Our Family-Run Company Has Been There For Your Family Since 1968</p>	<p style="text-align: center;">DELTA GROWS WITH YOU</p> <p>We Have Products For Every Age And Stage</p>	<p style="text-align: center;">Over 50 Years Of Safety, Style & Innovation</p>
--	--	---	--	--	---

Welcome to the **DELTA FAMILY**

Here's a Gift From Us To You

10% OFF


Your Next Purchase From DeltaChildren.com

USE CODE:

DELTA10

*Exclusions Apply
*Subject to Change

PRODUCTS FOR EVERY AGE AND STAGE

					
CRIBS	STROLLERS	GLIDERS	BASSINETS	MATTRESSES	
					
BABY GEAR	TODDLER BEDS	PLAYROOM FURNITURE	TWIN BEDS	BINS & ORGANIZERS	DRESSERS

OUR FAMILY OF TOP BRANDS



OVER 50 YEARS OF SAFETY, STYLE, AND INNOVATION



1.Revision Date:	<u>2018/05/23</u>	Revision Note:	<u>产品名称, 警告语, 由五国语言修改为六国语言, 增加使用工具说明, 首页增加电子邮件, 更新电话号码, 更新公司名称,</u>
2.Revision Date:	<u>2019 01 02</u>	Revision Note:	<u>更新使用新版本说明书</u>
3.Revision Date:	<u>2019/11/12</u>	Revision Note:	<u>有投诉说产品难安装, 现在把组装图细化,</u>
4.Revision Date:	<u>20200914</u>	Revision Note:	<u>更新新版本Logo</u>
5.Revision Date:	<u></u>	Revision Note:	<u></u>
6.Revision Date:	<u></u>	Revision Note:	<u></u>

注：此页面仅为更新记录，测试，大货不用印刷此页，