



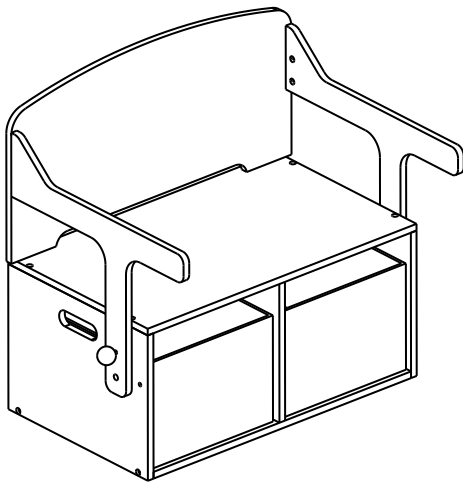
Read all instructions  
before assembly and use.  
KEEP INSTRUCTIONS FOR  
FUTURE USE.

Lisez toutes les instructions avant  
l'assemblage et l'utilisation.  
CONSERVEZ LES INSTRUCTIONS  
POUR UN USAGE ULTERIEUR.

Lea todas las instrucciones  
antes de ensamblar y usar.  
MANTENGA LAS INSTRUCCIONES  
PARA SU USO FUTURO.



**Activity Bench**  
**Banc d'activités**  
**Banco de actividades**



**⚠ ADULT ASSEMBLY REQUIRED**  
Due to the presence of small parts during assembly, keep out  
of reach of children until assembly is complete.

**⚠ L'ASSEMBLAGE DOIT ETRE FAIT  
PAR UN ADULTE**

A cause de la présence de petites pièces, pendant l'assemblage  
gardez hors de portée des enfants jusqu'à ce que celui-ci soit  
terminé.

**⚠ DEBE SER ENSAMBLADO  
POR UN ADULTO**

Debido a la presencia de piezas pequeñas durante el  
ensamblaje, mantenga fuera del alcance de los niños hasta que  
complete el ensamblaje.

This product is not intended for institutional or commercial use.  
Ce produit ne pas destine a un usage institutionnel ou commercial.  
Este producto no esta hecho para uso institucional o comercial.

**NEED EXTRA HELP?**

We make assembly easy with  
our tips & tricks video

[https://www.deltachildren.com/  
pages/instructions](https://www.deltachildren.com/pages/instructions)

**BESOIN D'AIDE SUPPLÉMENTAIRE?**

Nous facilitons l'assemblage avec  
nos trucs et astuces vidéo

[https://www.deltachildren.com/  
pages/instructions](https://www.deltachildren.com/pages/instructions)

**¿NECESITA AYUDA EXTRA?**

Hacemos el montaje fácil con  
nuestros consejos y trucos video

[https://www.deltachildren.com/  
pages/instructions](https://www.deltachildren.com/pages/instructions)

When contacting Delta Consumer Care, please reference the information on the Product Information label found on the product.

Lorsque vous contactez le Service après Vente de Delta, veuillez nous donner les références sur l'étiquette d'Information qui se trouve sur le produit.

Cuando contacte al Servicio de Atención al Consumidor de Delta por favor mencione los datos que aparecen en la etiqueta de información que se encuentra en el producto.



**DELTA CHILDREN'S PRODUCTS CORP**  
114 WEST 26TH STREET. M / #: xxxxx  
NEW YORK, NY 10001. PO #: xxxxx LOT #: xxxxx  
Email: tcs@DeltaChildren.com D. O. M.: xxxxx  
TEL.: 646-435-8728 Base Model: TB111  
FABRIQUÉ EN CHINE TSCA VI  
MADE IN CHINA

Product information label  
L'étiquette d'information  
Etiqueta de información

**Consumer Care:**

Delta Children's Products Corp  
114 West 26th Street New York, NY 10001  
Tel: (646) 435-8728

Email: tcs@DeltaChildren.com

<https://www.deltachildren.com/pages/instructions>



# SAVE BIG WITH DELTA CHILDREN

Visit [Deltachildren.com](http://Deltachildren.com) To Start Shopping

Welcome to the  
**DELTA FAMILY**  
Here's a Gift From Us To You

**10% OFF**

Your Next Purchase From  
**DeltaChildren.com**

USE CODE:  
**DELTA10**

\*Exclusions Apply  
\*Subject to Change

## REVIEW TO WIN \$2500

### RULES TO ENTER



*"We LOVE, LOVE, LOVE this crib"*

My husband was impressed with the directions and organization of the hardware package. He easily assembled this crib in an hour without any help. It's very sturdy and we like that it has adjustable levels for the mattress height. To top it all off, it's so incredibly darling!!!

- 1** **WRITE A REVIEW** for this product on the store's website from where it was purchased
- 2** **TAKE A SCREENSHOT** of your review and upload it to [www.DeltaChildren.com/Review](http://www.DeltaChildren.com/Review)
- 3** **IT'S THAT EASY!** Upon submission, you'll be instantly **ENTERED TO WIN \$2,500**

### FOLLOW US FOR MORE CHANCES TO WIN



@deltachildren

### SCAN HERE



For more information  
and to see all of our  
products





 **WARNING**

Do not allow children to play unsupervised on this product. Do not permit children to stand on this product or use as a step stool as any use beyond its intended purpose could cause the product to become unstable and may result in serious injury to your child

 **AVERTISSEMENT**

Ne laissez pas les enfants jouer avec ce produit sans surveillance.  
Ne laissez pas les enfants se tenir debout sur ce produit ou l'utiliser comme tabouret, car toute utilisation au-delà de son objectif prévu pourrait rendre le produit instable et entraîner des blessures graves à votre enfant.

 **ATTENTION**

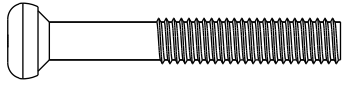
No permita que niños jueguen con este producto sin supervisión. No permita que los niños se paren sobre este producto ni lo utilicen como taburete, ya que cualquier uso que vaya más allá de su finalidad prevista podría hacer que el producto se vuelva inestable y provocar lesiones graves a su hijo.



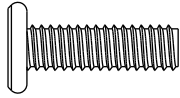
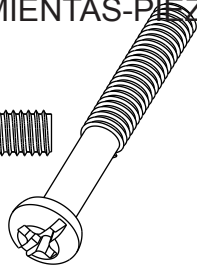
**PARTS:** HARDWARE KITS PART

**PIÈCES:** PIÈCES DU KIT DE QUINCAILLERIE

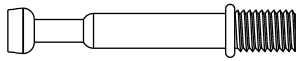
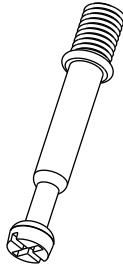
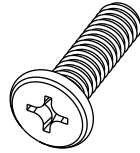
**PIEZAS:** EL KIT DE HERRAMIENTAS-PIEZA



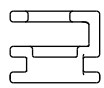
AA x 14  
M6 x 40MM



BB x 2  
M6 x 20MM



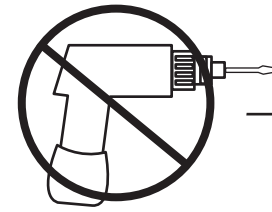
CC x 2  
Cam Bolt



DD x 2  
Φ12 x 10MM

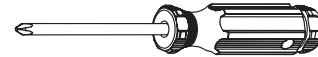


EE x 14  
Φ10 x 10MM



**No drills necessary.**  
Do not use power screwdriver.  
**Aucun perçage nécessaire.**  
Veuillez ne pas utiliser de tournevis électriques.

**No hace falta taladrar.**  
No utilice destornilladores eléctricos

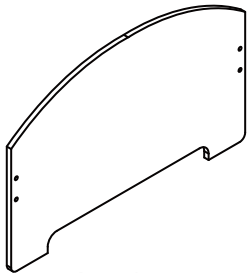


Phillips Screwdriver (Not Provided)  
Tournevis curciform (non fourni)  
Destornillador Phillips (No incluido)

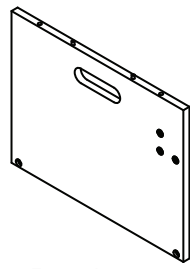
**PARTS:** MAKE SURE THAT ALL PRE-ASSEMBLED PARTS ARE TIGHT

**PIÈCES:** VEUILLEZ VOUS ASSURER QUE TOUTES LES PIÈCES PRÉ-ASSEMBLÉS SONT BIEN SÉRRÉES

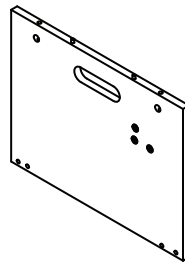
**PIEZAS:** ASEGÚRESE DE QUE TODAS LAS PIEZAS PRE-ENSAMBLADAS ESTÁN BIEN APRETADAS.



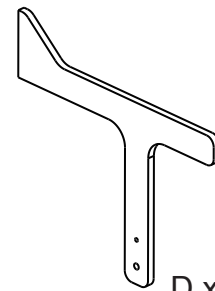
A x 1



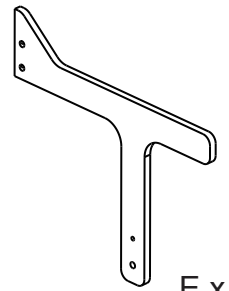
B x 1



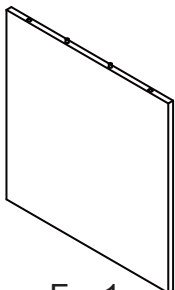
C x 1



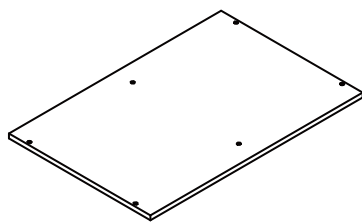
D x 1



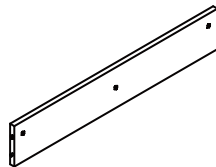
E x 1



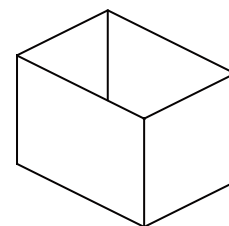
F x 1



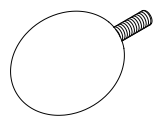
G x 1



H x 2



I x 2

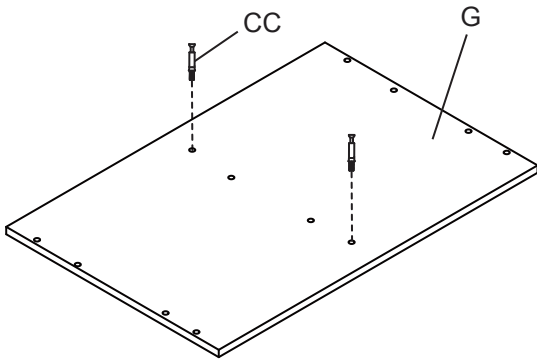


K x 2

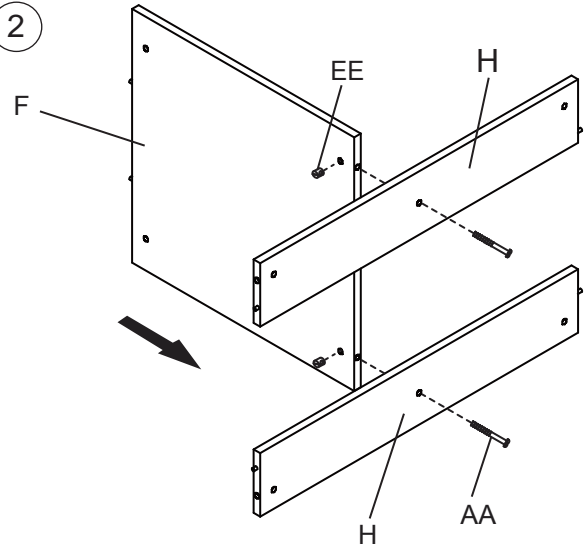




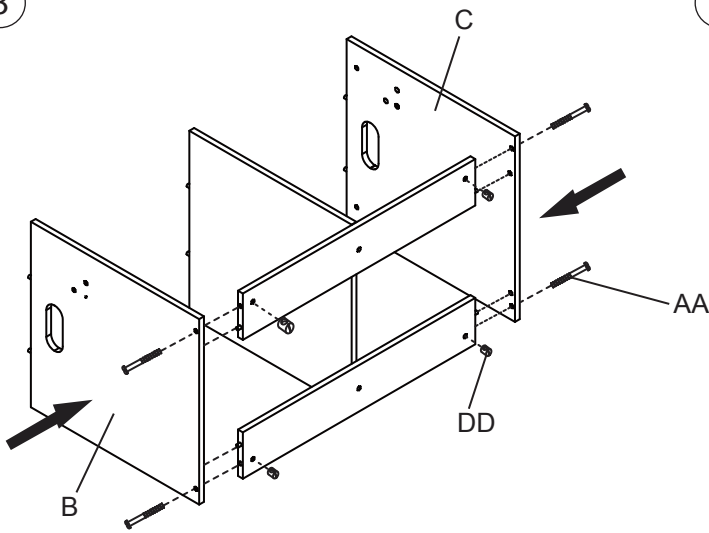
1



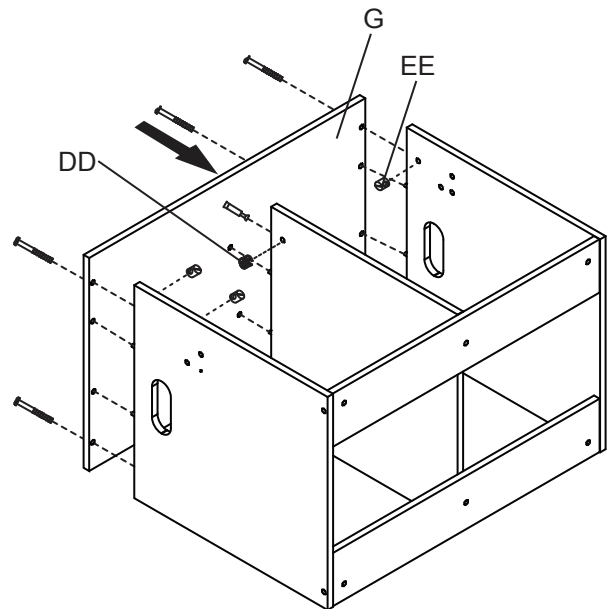
2



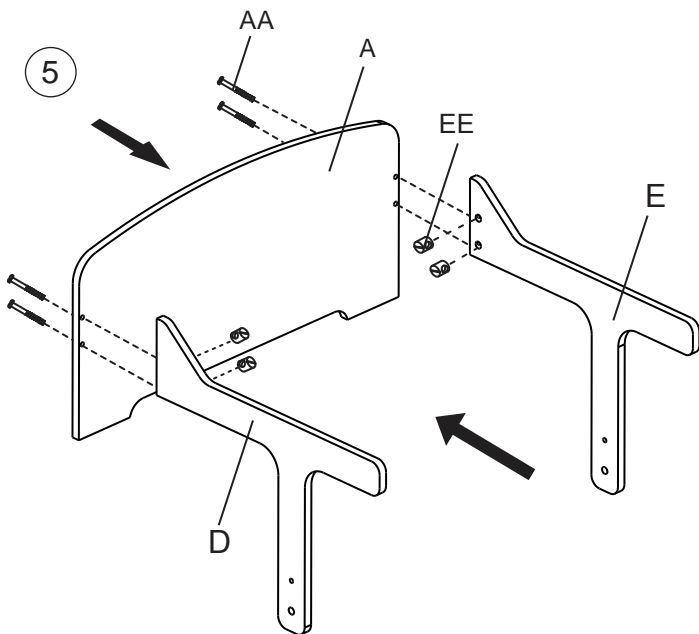
3



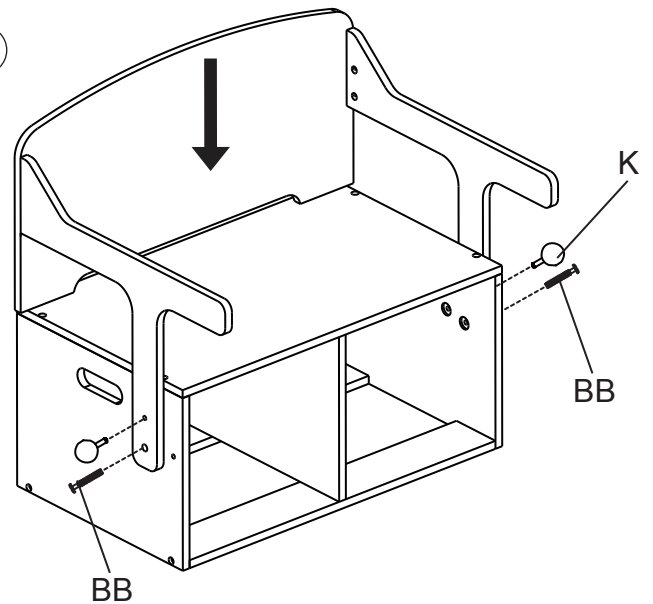
4



5

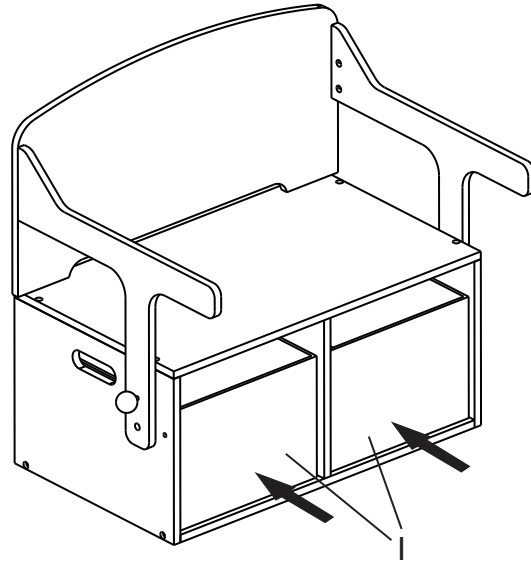
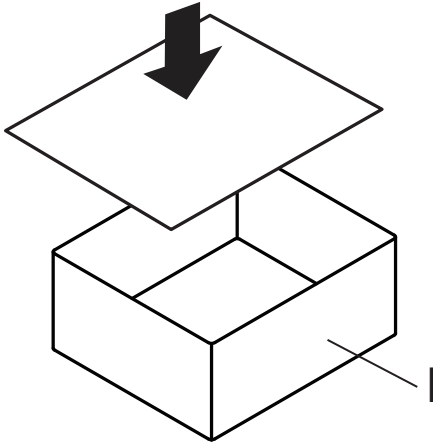


6

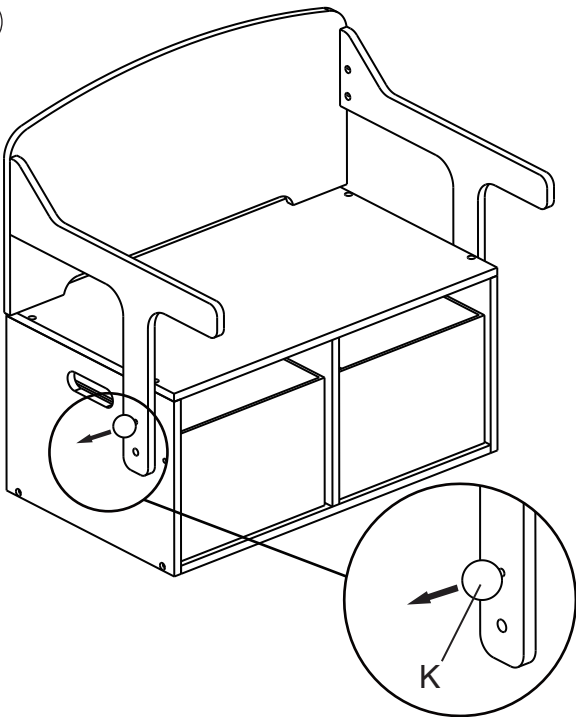




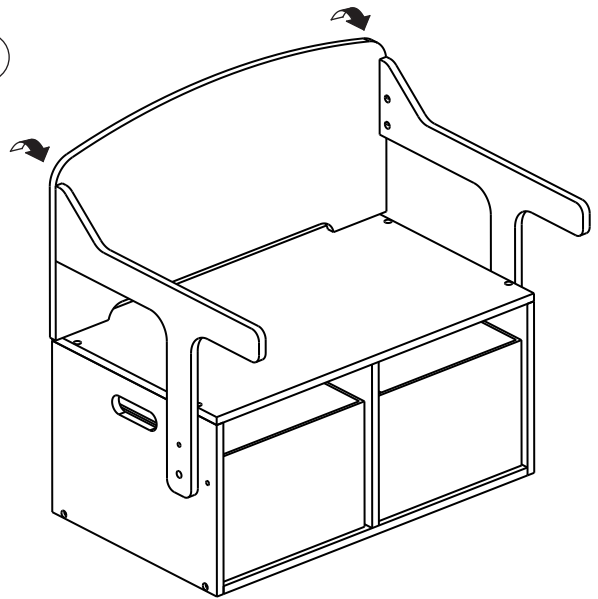
7



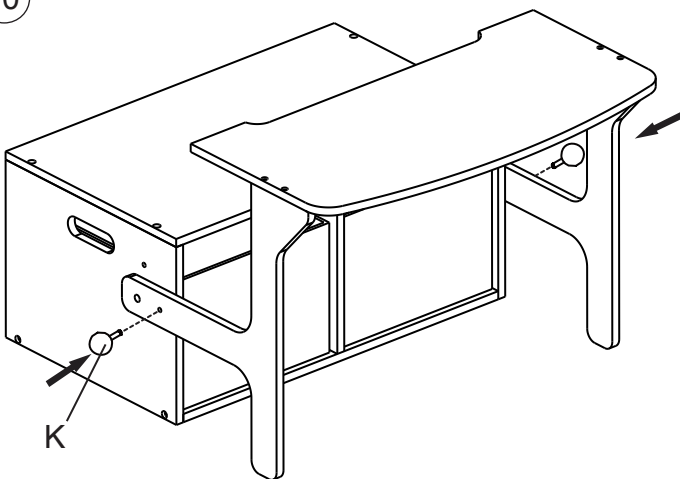
8



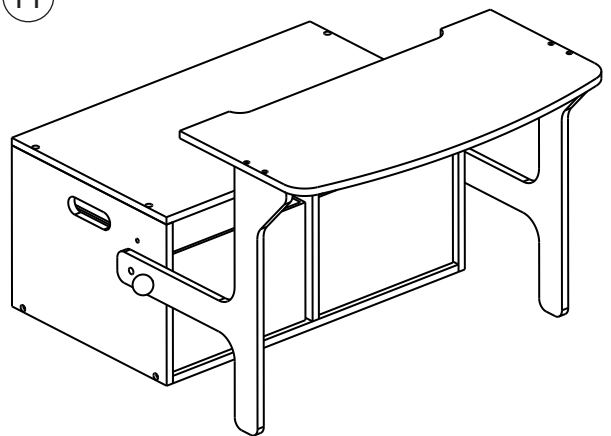
9



10



11



♥♥♥

# WHY CHOOSE DELTA CHILDREN?

Visit [Deltachildren.Com/Pages/Our-Story](http://Deltachildren.Com/Pages/Our-Story) for more information

|  |  |   |  |  |   |
|--|--|---|--|--|---|
| <p><b>DELTA LEADS</b></p> <p>1 Out Of 2 Children In The U.S. Sleep In Our Products</p> | <p><b>DELTA GIVES</b></p> <p>10% Of Our Proceeds Go Toward Improving The Lives Of Children</p> | <p><b>DELTA CARES</b></p> <p>We Test Above &amp; Beyond Industry Safety Standards</p> | <p><b>DELTA IS DEDICATED</b></p> <p>Our Family-Run Company Has Been There For Your Family Since 1968</p> | <p><b>DELTA GROWS WITH YOU</b></p> <p>We Have Products For Every Age And Stage</p> | <p><b>Over 50 Years Of Safety, Style &amp; Innovation</b></p> |
|--|--|---|--|--|---|

Welcome to the **DELTA FAMILY**

Here's a Gift From Us To You

# 10% OFF



Your Next Purchase From  
[DeltaChildren.com](http://DeltaChildren.com)

USE CODE:

# DELTA10

\*Exclusions Apply  
\*Subject To Change

## PRODUCTS FOR EVERY AGE AND STAGE

|   |   |   |  |   |   |
|---|---|---|--|---|---|
|  |  |  |  |  |   |
| CRIBS   | STROLLERS   | GLIDERS   | BASSINETS  | MATTRESSES  |   |
|  |  |  |   |  |  |
| BABY GEAR   | TODDLER BEDS  | PLAYROOM FURNITURE  | TWIN BEDS  | BINS & ORGANIZERS   | DRESSERS  |

## OUR FAMILY OF TOP BRANDS



OVER 50 YEARS OF SAFETY, STYLE, AND INNOVATION



1.Revision Date:2019/05/22

Revision Note: 更新使用新版本说明书

20200730/ 第四步漏标配件名称BB, C配件漏俩个木榫孔, 三抓螺母孔,更新使用新版本Logo,

20210826: 扶手更新新结构, 20221125: 修改螺丝1: 1加尺寸

20231006 更新零件页面英法西语言, 装配说明手册增加警告.

**注：此页面仅为更新记录，测试，大货不用印刷此页，**