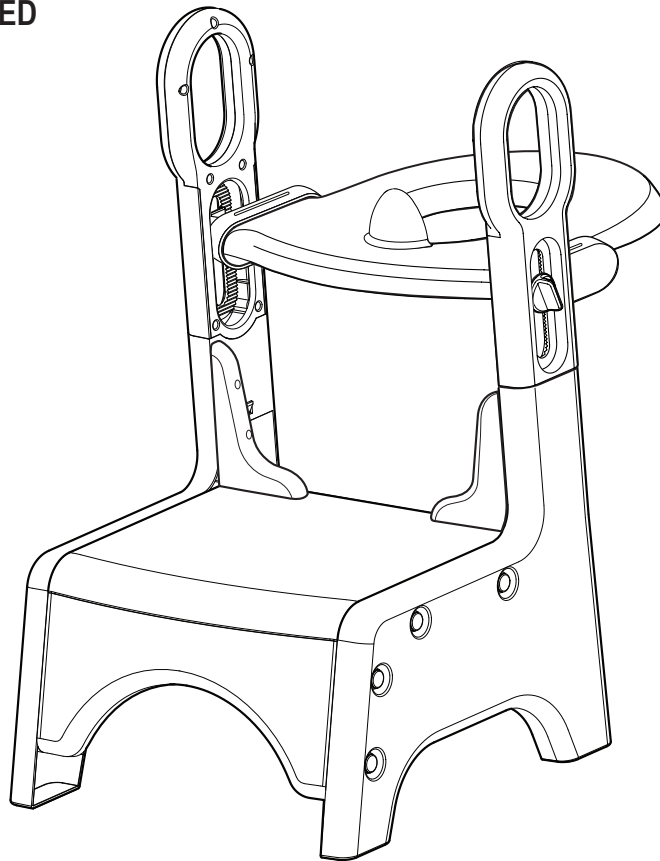


INSTRUCTION MANUAL

ADULT ASSEMBLY REQUIRED

196290-5052



**▲ WARNING:
CHOKING HAZARD**

Adult assembly required because of small parts. Keep parts out of reach of children under 3 years.

Read all instructions BEFORE assembly and USE of product
KEEP INSTRUCTIONS FOR FUTURE USE.

▲ WARNING

WARNING: Please follow all of these instructions to ensure the safety of your child. Keep these instructions for future reference.

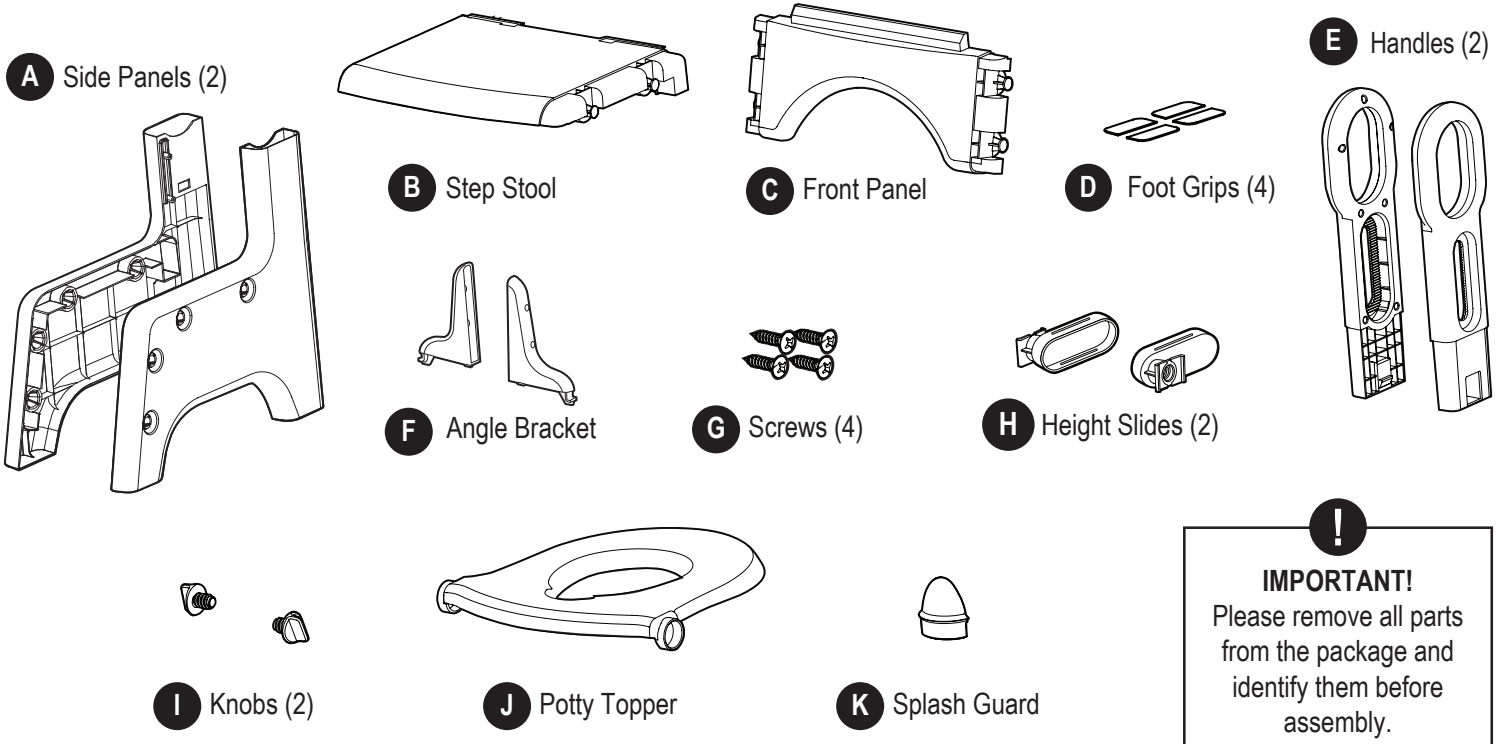
WARNING: CHOKING HAZARD Adult assembly required because of small parts. Keep (assembly parts) out of reach of children under 3 years.

- **NEVER:** leave child unattended while using this product.
- This product is not a toy, do not allow children to play with it.
- **DO NOT** load this product with more than 50lbs (23kg).

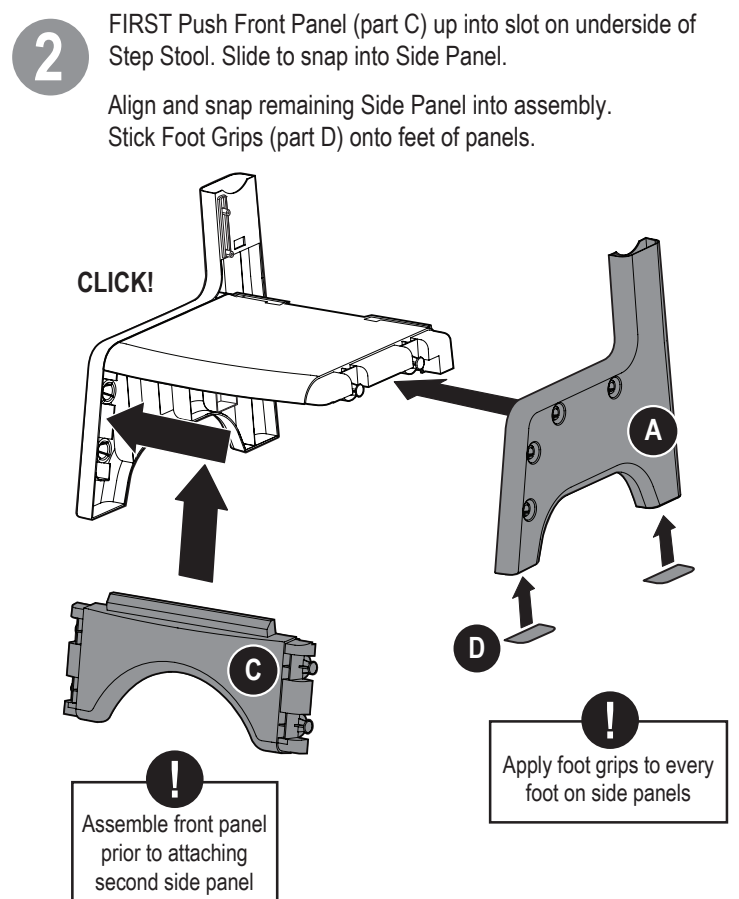
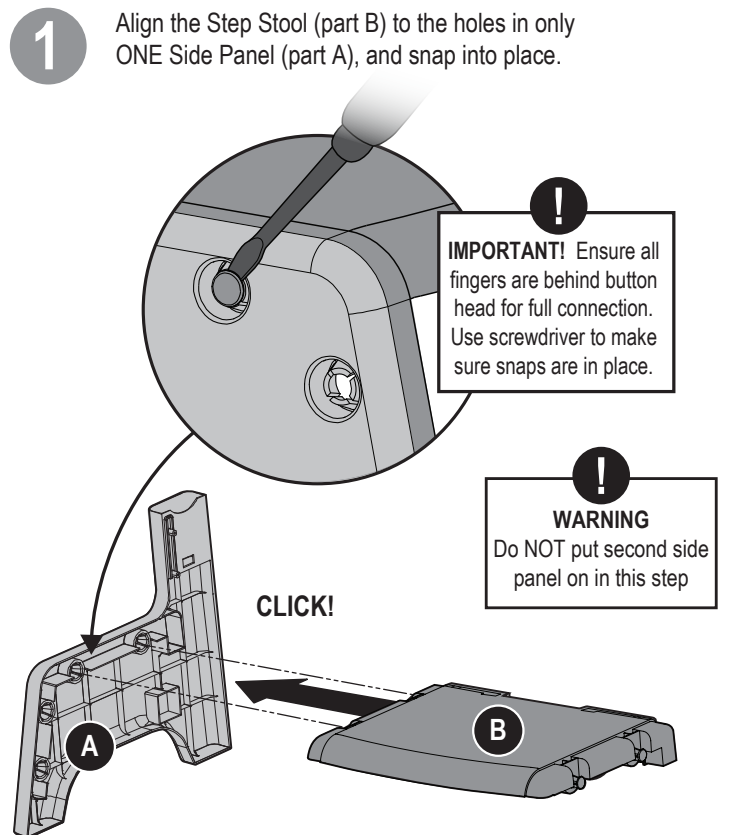
CARE AND MAINTENANCE

- To clean, use a mild cleaning solution with warm water on a sponge or damp cloth.

PARTS

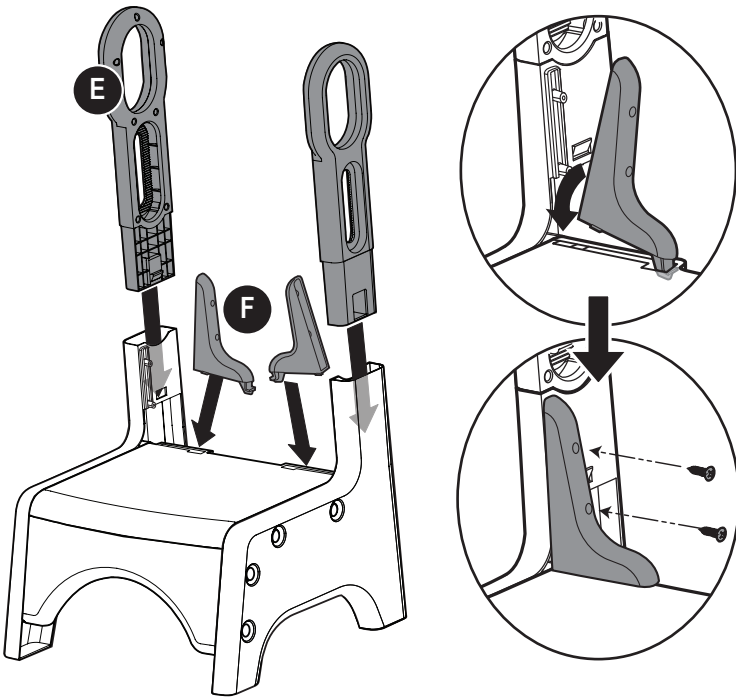


ASSEMBLY

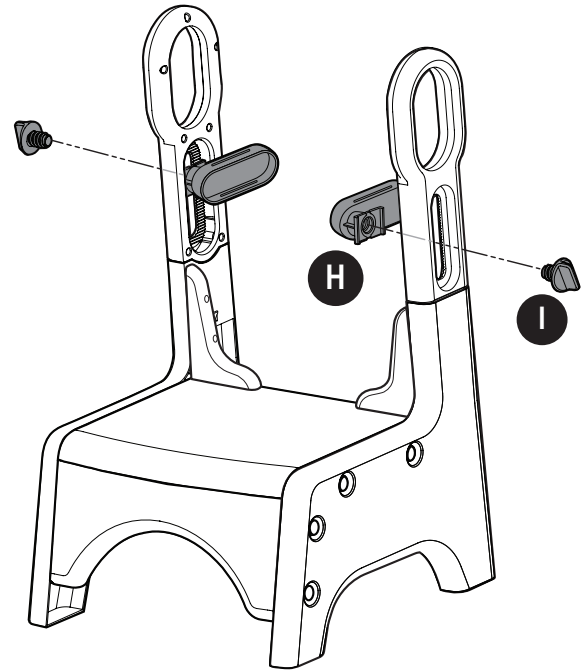


ASSEMBLY (continued)

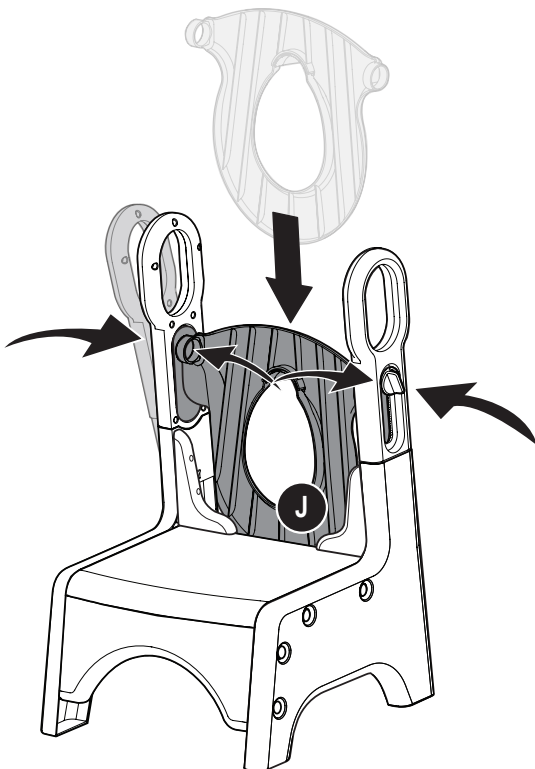
- 3** Press Handles (part E) into Side Panels until they lock into place. Hook Angle Brackets (part F) into Step Stool and screw into Side Panels



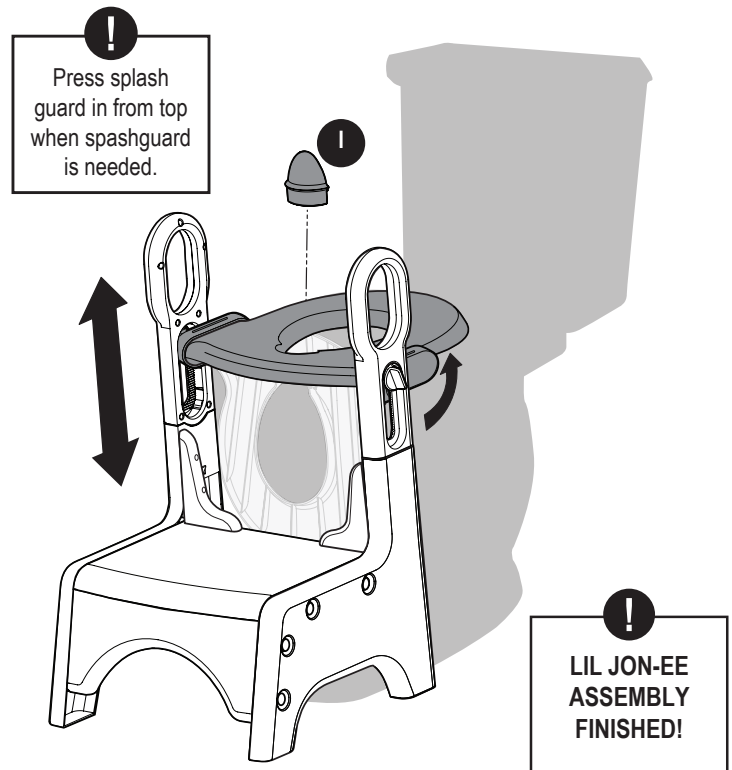
- 4** Align teeth of Height Slides (part H) to teeth in Handles and screw Knobs (part I) in from outside.



- 5** Make sure ribs of Potty Topper (part J) are facing you. Snap Potty Topper into height slides.



- 6** Loosen knobs to adjust Potty Topper to rest on adult sized toilet. Tighten knobs and snug assembly as close to toilet as possible.





Before returning this product to the store, let's see if we can assist you!

• **Not sure how to assemble our product?**

Visit our site for easy to follow instructions along with some Tricks and Tips assembly video's

<https://www.deltachildren.com/pages/instruction>

• **If you are missing a piece or have a damaged part**

Please contact our Consumer Experience Center for assistance at gcs@deltachildren.com. To better assist you please have your Style #, Lot # and Manufacturer Date information available along with the part number that you need assistance with.

• **In the event we do not have a replacement part available**

You may need to return your product to the retailer for an exchange or refund.

• **Warranty**

In order to protect your investment, don't forget to register your product. You may also wish to consider purchasing our extended warranty. Visit <https://www.deltachildren.com/pages/extended-warranty> for more details.

• **Please note:**

"All Final", "As Is" or Third Party/Liquidator sales are not covered under our Limited Manufacturer Warranty.

LIMITED MANUFACTURER WARRANTY

This Delta product is warranted to be free from defects for a period of 90 days from the date of purchase under normal use. This warranty extends only to the original retail purchaser and is valid only when supplied with proof of purchase, or if received as a gift, when the registration is on file with Delta. This limited manufacturer warranty does not cover the following:

- Products purchased as floor models or samples.
- Items purchased on an "as-is" basis, as a second hand product, or as a resale product.
- Items purchased at a Final sale, a "Going out of Business" sale, or a Liquidation sale.

TO REGISTER YOUR PRODUCT for important safety alerts and updates to your product please visit

www.deltachildren.com

TO REPORT A PROBLEM, please log on to www.deltachildren.com and click the Consumer Care Tab, or contact us by email at gcs@deltachildren.com

Date of Purchase: _____ (you should also keep your receipt)

EXTENDED WARRANTY

DON'T MISS YOUR CHANCE TO BE COVERED FOR ALL OF LIFES MISHAPS!

With Delta's Extended Warranty, you're covered for mechanical failure from normal use or if your item stops working due to normal wear and tear, plus all those unexpected surprises.

2 YEARS OF PROTECTION

For Additional Information:

Simply visit our Website, register your product, and add the Extended Warranty

<https://www.deltachildren.com/pages/product-registration>

Extended Warranty only available in the following States: Arkansas, Colorado, Delaware, District of Columbia, Georgia, Idaho, Illinois, Indiana, Iowa, Kansas, Kentucky, Louisiana, Maryland, Michigan, Mississippi, Missouri, Nebraska, Nevada, New Hampshire, New York, North Carolina, North Dakota, Pennsylvania, Rhode Island, South Dakota, Tennessee, Utah, West Virginia