

COMPACT PORTABLE TWIN BASSINET



INSTRUCTION MANUAL

LF25405

STYLES AND COLORS MAY VARY

ASSEMBLY INSTRUCTIONS



**⚠ WARNING:
CHOKING HAZARD**

Adult assembly required because of small parts. Keep assembly parts out of reach of children under 3 years.

**Read all instructions BEFORE assembly and USE of product
KEEP INSTRUCTIONS FOR FUTURE USE.**



Customer Experience Center
email: gcs@DeltaChildren.com

www.DeltaChildren.com

DCP-IM-08042022

WARNING

WARNING: Do not use this bassinet if you cannot exactly follow the accompanying instructions. Failure to follow these warnings and instructions could result in serious injury or death.

- Read all instructions before assembling unit.

KEEP INSTRUCTIONS FOR FUTURE USE.

DO NOT USE THIS UNIT IF THE INSTRUCTIONS CANNOT BE STRICTLY FOLLOWED.

- Before each usage or assembly, inspect unit for damaged hardware, loose joints, missing parts or sharp edges. NEVER use this product if there are any loose or missing fasteners, loose joints, broken parts, or torn mesh/fabric. Check before assembly and periodically during use. Contact Delta Children's Products Customer Service Department at gcs@deltachildren.com for replacement parts, repair or instructions.

SUFFOCATION HAZARD

Infants have suffocated:

- In gaps between an extra padding, a mattress (too small or too thick) and product sides.
- On soft bedding.
- Use only the pad provided by the manufacturer that is no thicker than 25 mm (1 in) and is of such a size that, when pushed against any side of the product, it does not leave a gap of more than 25 mm (1 in) between the mattress and sides.
- NEVER add a pillow, comforter or another mattress for padding.

FALL HAZARD: To help prevent falls, DO NOT use this product when your baby begins to roll over.

STRANGULATION HAZARD:

- Strings can cause strangulation! DO NOT place items with a string around a child's neck, such as hood strings or pacifier cords. DO NOT suspend strings over a product or attach strings to toys.
- To reduce the risk of SIDS, pediatricians recommend healthy infants be placed on their backs to sleep, unless otherwise advised by your physician.
- Always attach all provided fasteners tightly according to the instructions. Check frequently. DO NOT use if there are any loose or missing parts or signs of damage. DO NOT substitute parts. Contact the manufacturer for replacement parts.
- Never use bassinet with more than two children at a time.
- DO NOT place medication, small toys, small items, cords, straps or similar items that could become wound around the child's neck in or near this product and do not place product near a window, patio door, heater, or power outlet.
- DO NOT place bassinet near a window where cords from blinds or drapes may strangle a child. Child may fall out of window.
- If a sheet is used with the pad use only the one provided by Delta Children or one made specifically for the dimensions of the bassinet mattress.

CARE AND MAINTENANCE

- The frame and mattress pads may be wiped clean using a mild cleaning solution and a damp cloth. Do not use bleach. Do not use harsh or abrasive cleaners. Rinse clean with water to remove residue. Do not immerse the frame.
- The sheets are machine washable. Wash them separately in cold water on the gentle cycle. Do not use bleach. Tumble dry separately on low heat and remove promptly.
- Always store product in a clean and dry place.



Before returning this product to the store! Let's see if we can assist you!

- Not sure how to assemble our product?

Visit our site for easy to follow instructions along with some Tricks and Tips assembly videos <https://www.deltachildren.com/pages/instructions>

- If you are missing a piece or have a damaged part

Please contact our Consumer Experience Center for assistance at gcs@DeltaChildren.com. To better assist you please have your Style# or Model# and Lot# available. This can be found on a white rectangular sticker on your product, on the registration card, and on the product's box.

- In the event we do not have a replacement part available

You may need to return your product to the retailer for an exchange or refund.

- Warranty

In order to protect your investment, don't forget to register your product.

You may also wish to consider purchasing our extended warranty.

Visit <https://www.deltachildren.com/pages/extended-warranty> for more details.

- Please note:

"All Final", "As Is" or Third Party/Liquidator sales are not covered under our Limited Manufacturer Warranty.

DELTA CHILDREN

LIMITED MANUFACTURER WARRANTY

This Delta product is warranted to be free from defects for a period of 90 days from the date of purchase under normal use. If a product is defective during this period, we will at our option repair or replace the defective part or product. This limited warranty extends only to the original retail purchaser and is valid only when supplied with proof of purchase, or if received as a gift, when the registration is on file with Delta. This limited warranty does not cover the following:

- Products purchased as floor models or samples.
- Items purchased on an “as-is” basis, as a second hand product, or as a resale product.
- Items purchased at a Final sale, a “Going out of Business” sale, or a Liquidation sale. This limited warranty gives you specific legal rights and you may also have other rights which vary from state to state.

This limited warranty gives you specific legal rights and you may also have other rights which vary from state to state.

TO REGISTER YOUR PRODUCT for important safety alerts and updates to your product please visit www.deltachildren.com

TO REPORT A PROBLEM, please log on to www.deltachildren.com and click the Consumer Care Tab, or contact us by email at gcs@DeltaChildren.com

Date of Purchase: _____ (you should also keep your receipt)

EXTENDED WARRANTY

DON'T MISS YOUR CHANCE TO BE COVERED FOR ALL OF LIFE'S MISHAPS!

With Delta's Extended Warranty, you're covered for mechanical failure from normal use or if your item stops working due to normal wear and tear, plus all those unexpected surprises.

2 YEARS OF PROTECTION

For Additional Information:

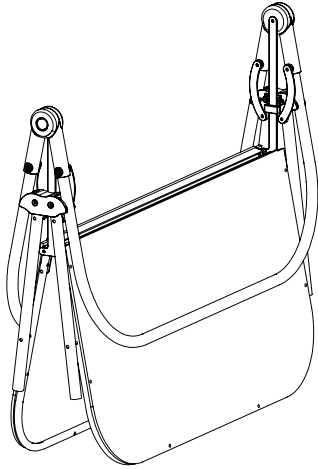
Simply visit our Website, register your product, and add the Extended Warranty

<https://www.deltachildren.com/pages/product-registration>

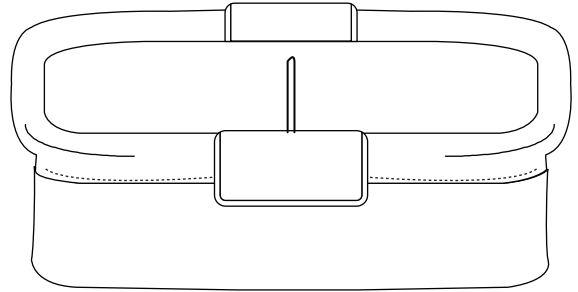
Extended Warranty only available in the following States: Arkansas, Colorado, Delaware, District of Columbia, Georgia, Idaho, Illinois, Indiana, Iowa, Kansas, Kentucky, Louisiana, Maryland, Michigan, Mississippi, Missouri, Nebraska, Nevada, New Hampshire, New York, North Carolina, North Dakota, Pennsylvania, Rhode Island, South Dakota, Tennessee, Utah, West Virginia

PARTS

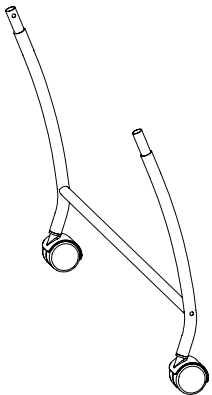
IMPORTANT! Please remove all parts from the package and identify them before assembly.



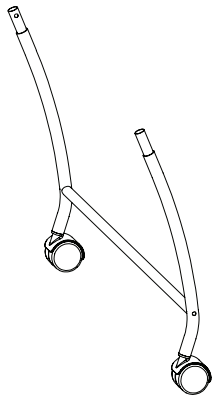
Top Frame



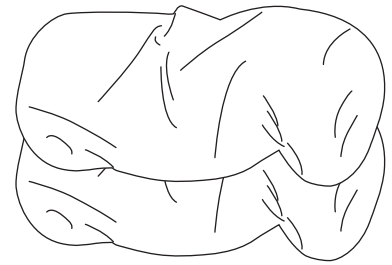
Fabric Liner



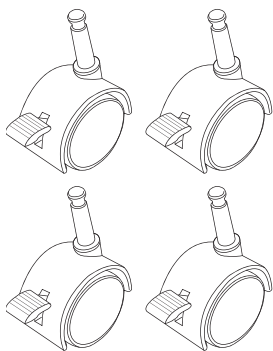
Base Legs (A)



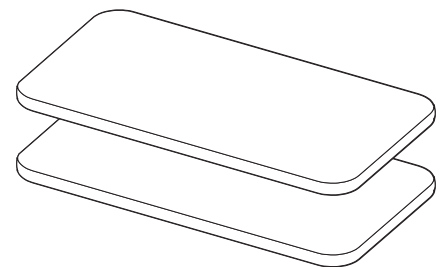
Base Legs (B)



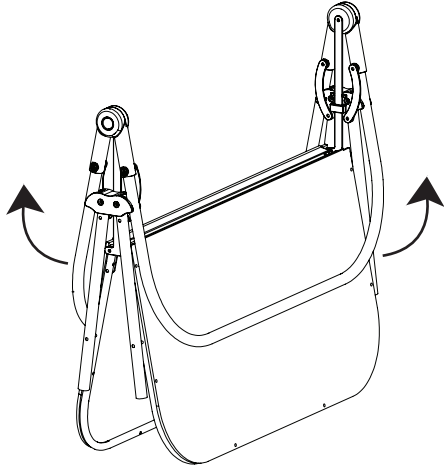
Sheet (x2)



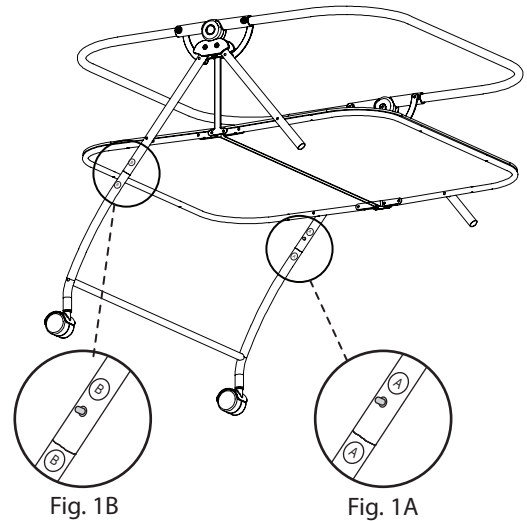
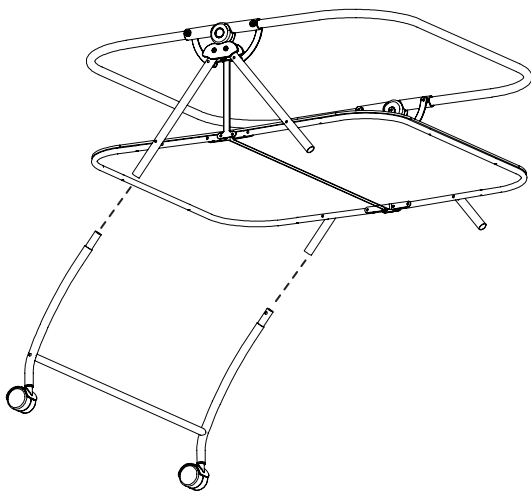
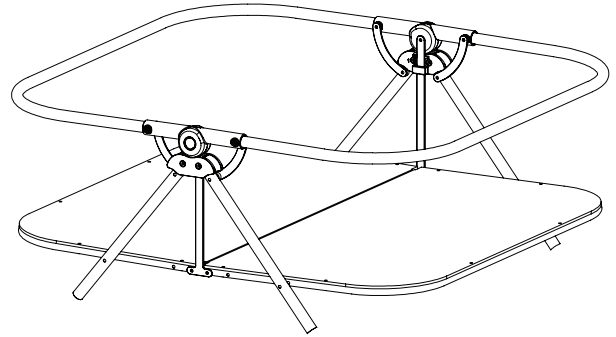
Locking Casters (x4)



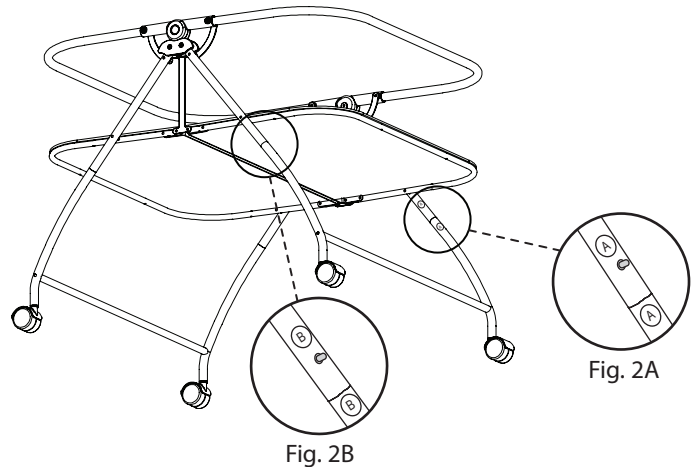
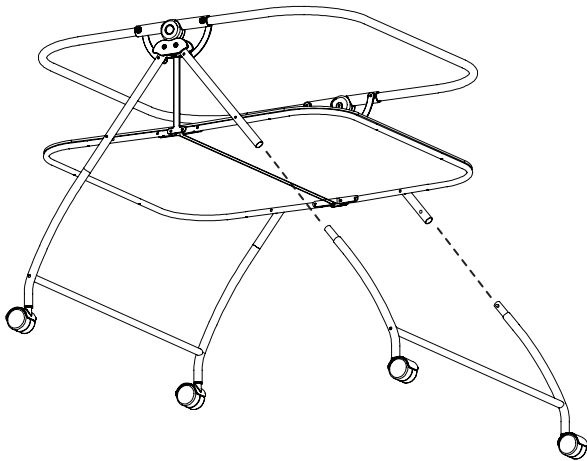
Mattress Pad (x2)



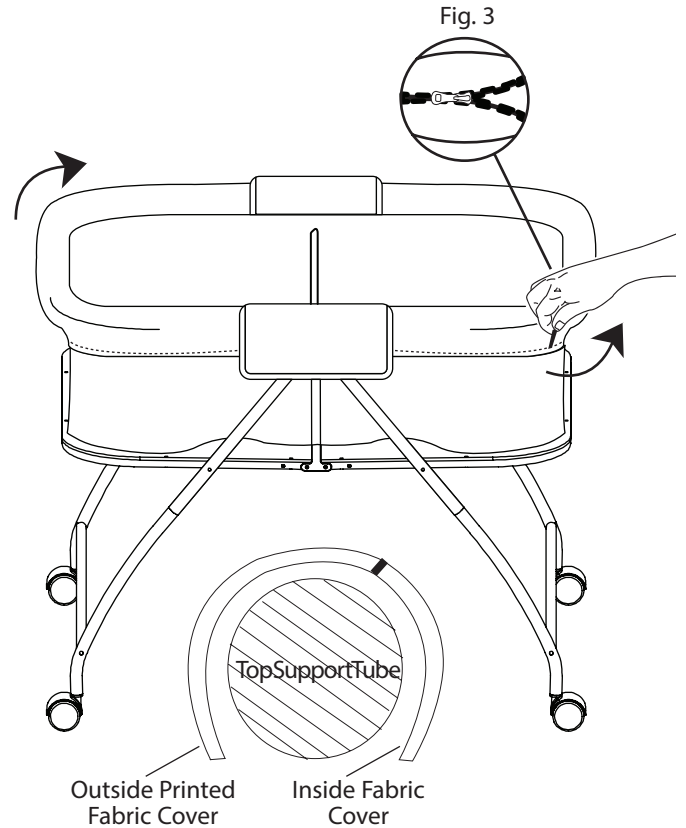
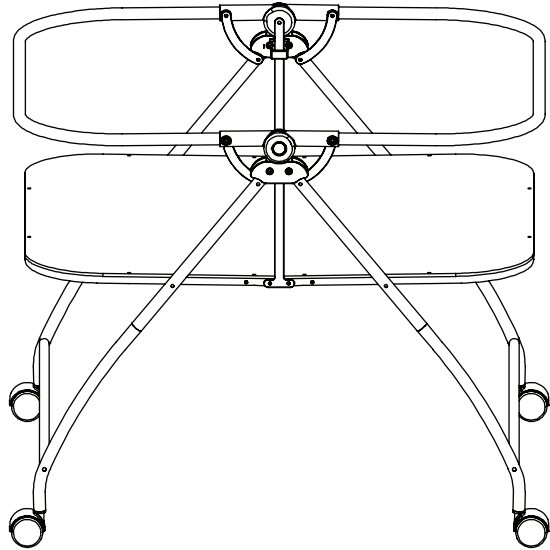
1 Rotate both top frame support tubes upward until they "click" into a fully opened and locked position.



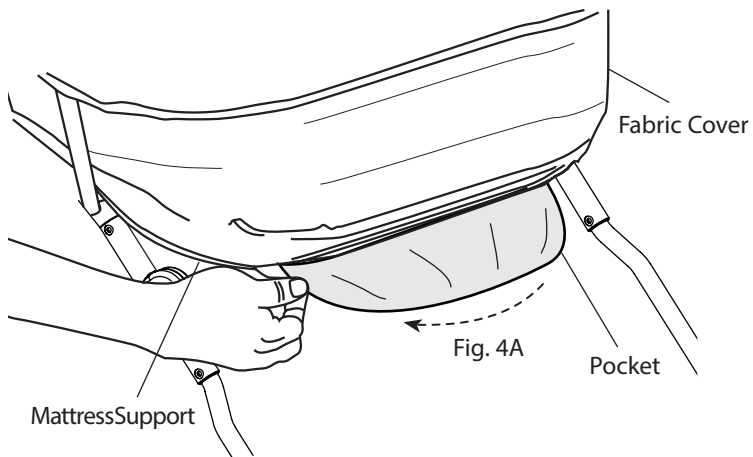
2 Attach base legs to top support tube. Match side **A** to **A** (Fig. 1A) and side **B** to **B** (Fig. 1B).



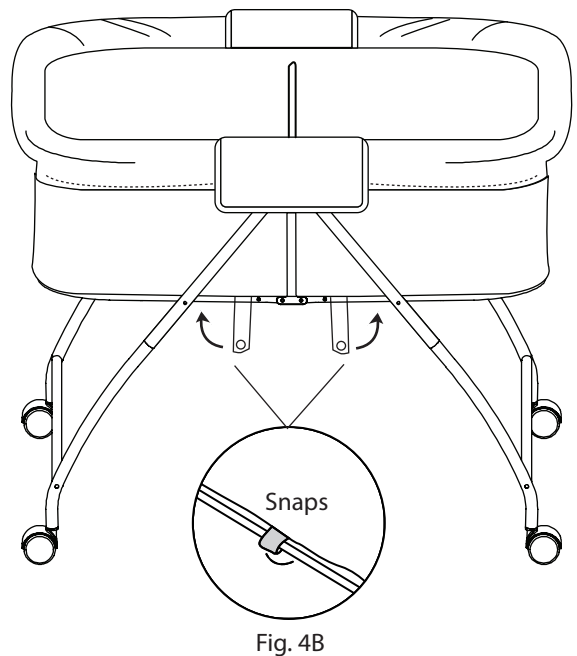
3 Attach remaining base legs to top support tube. Match side **A** to **A** (Fig. 2A) and side **B** to **B** (Fig. 2B).



- 3 Attach the fabric cover by lining up the fabric around the top tubing and zipping the right / left sides until fully zipped (Fig. 3).



- 4 Stretch the pockets on the bottom of the liner around the ends of the mattress support (Fig. 4A).



- 5 Snap the 4 straps located on the left and right side of the bassinet (Fig. 4B).

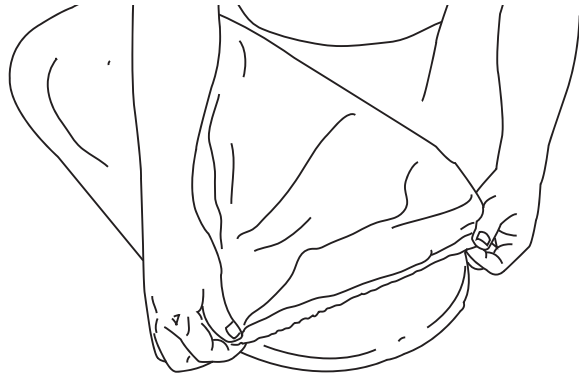


Fig. 5A

- 1 Place the sheet over the mattress pad (Fig. 5A).

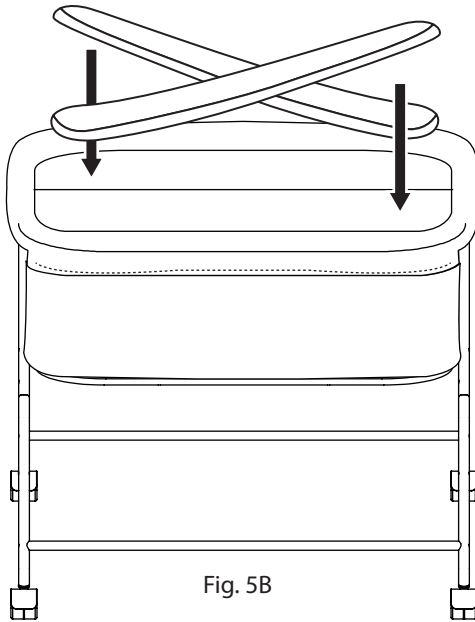


Fig. 5B

- 2 Place the mattress pad with sheet into the fully assembled bassinet (Fig. 5B). Make sure the bassinet mattress pad is flat.

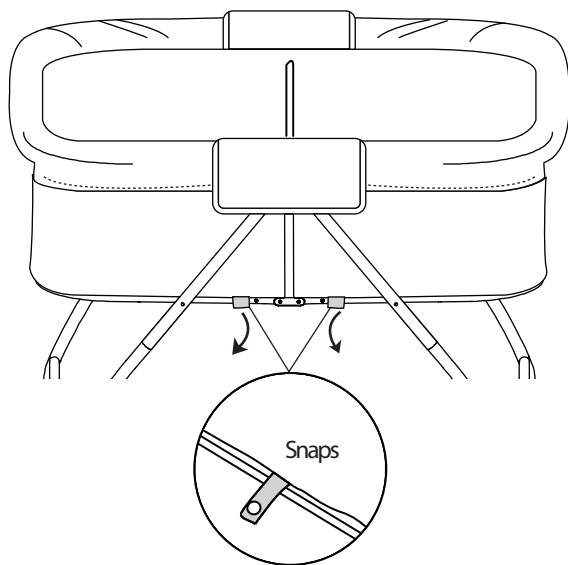


Fig. 6A

- 1 Unsnap the 4 straps located on the left and right of the bassinet (Fig. 6A).

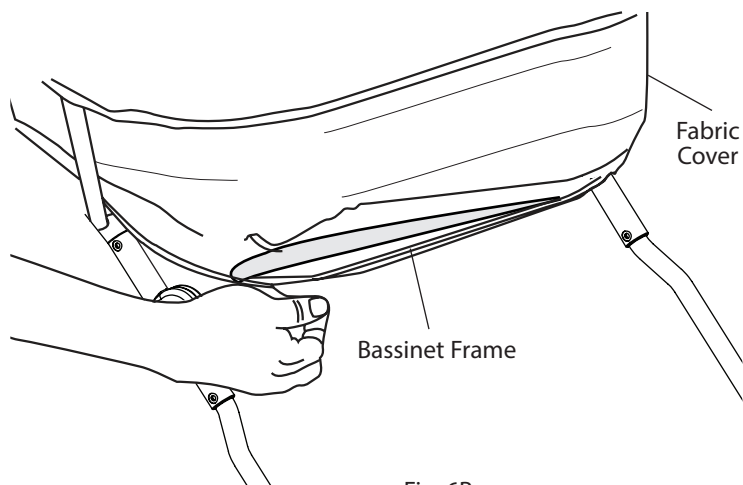


Fig. 6B

- 2 Remove the fabric cover by pulling off the liner located under the bassinet frame (Fig. 6B).

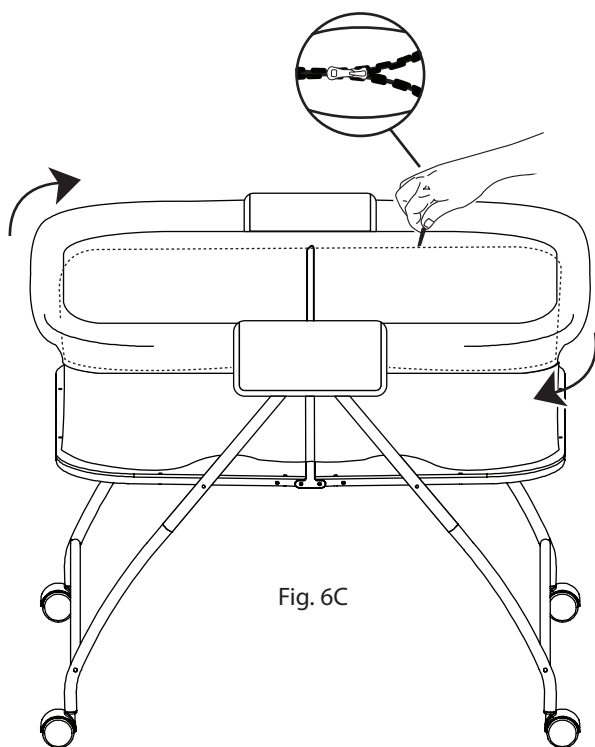
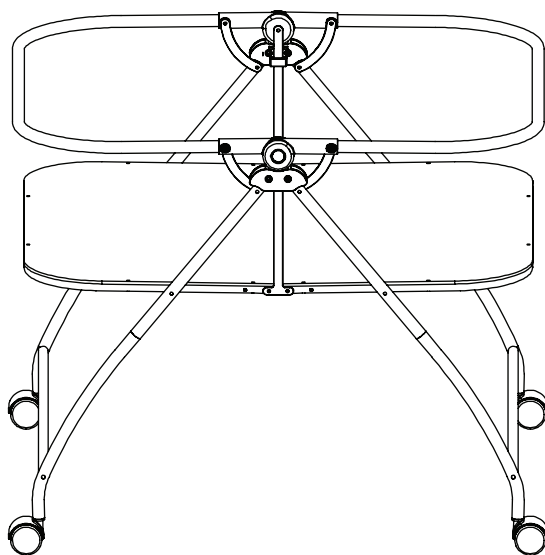


Fig. 6C

- 3 Unzip the fabric cover from right / left sides until fabric is fully unzipped (Fig. 6C).



NOTE: Bassinet can be folded with fabric cover attached.

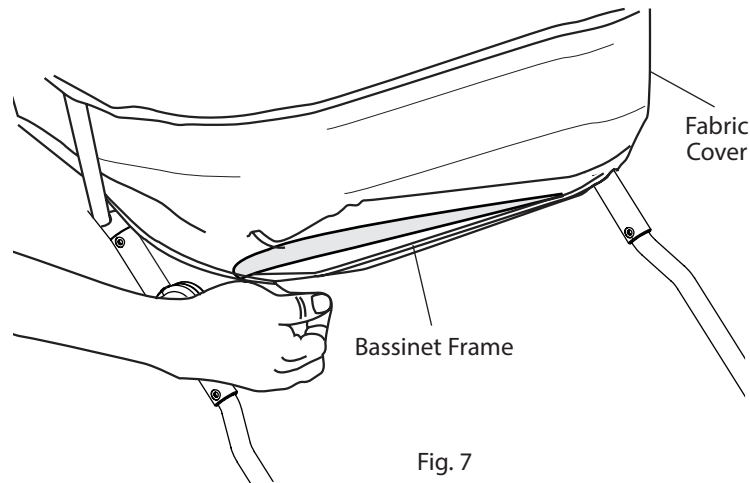
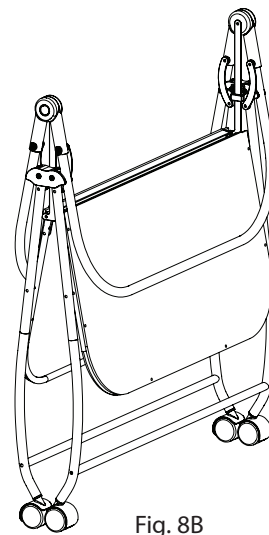
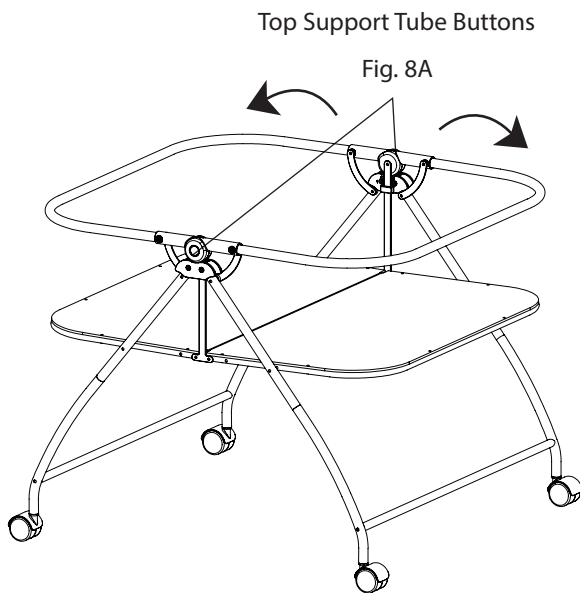


Fig. 7

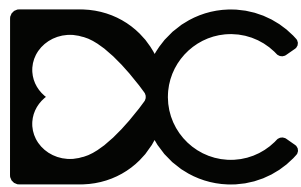
- 1 Remove the fabric cover by pulling off the liner located under the bassinet frame (Fig. 7).

NOTE: If folding with fabric cover attached, first remove fabric liner from under bassinet frame.



- 2 Press both left and right top frame support tube buttons (Fig. 8A), rotate both top support tubes downward until they "click" into a fully closed and locked position.

- 3 Press the left / right side base support tube buttons located on both left / right sides of the base support tube. Rotate the left / right side base support tube upward (Fig. 8A) to fully folded frame (Fig. 8B).



DELTACHILDREN

Delta Children's Products Corp.

114 West 26th Street
New York, NY 10001
gcs@deltachildren.com
www.DeltaChildren.com