



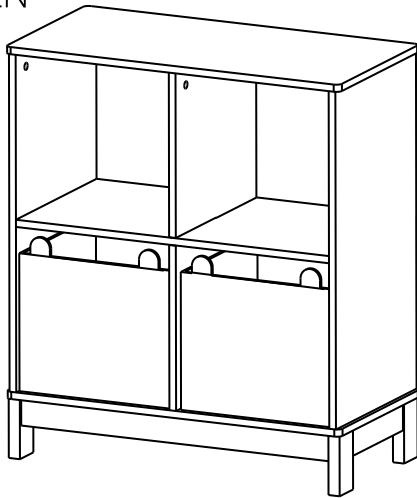
Read all instructions  
before assembly and use.  
KEEP INSTRUCTIONS FOR  
FUTURE USE.

Lisez toutes les instructions avant  
l'assemblage et l'utilisation.  
CONSERVEZ LES INSTRUCTIONS  
POUR UN USAGE ULTERIEUR.

Lea todas las instrucciones  
antes de ensamblar y usar.  
MANTENGA LAS INSTRUCCIONES  
PARA SU USO FUTURO.



Bookcase  
Étagère à livres  
Estante para libros



**⚠ ADULT ASSEMBLY REQUIRED**  
Due to the presence of small parts during assembly, keep out  
of reach of children until assembly is complete.

**⚠ L'ASSEMBLAGE DOIT ETRE FAIT  
PAR UN ADULTE**

A cause de la presence de petites pieces, pendant l'assemblage  
gardez hors de portee des enfants jusqu'a ce que celui-ci soit  
termine.

**⚠ DEBE SER ENSAMBLADO  
POR UN ADULTO**

Debido a la presencia de piezas pequeñas durante el  
ensamblaje, mantenga fuera del alcance de los niños hasta que  
complete el ensamblaje.

This product is not intended for institutional or commercial use.  
Ce produit ne pas destine a un usage institutionnel ou commercial.  
Este producto no esta hecho para uso institucional o comercial.

**NEED EXTRA HELP?**

We make assembly easy with  
our tips & tricks video

[https://www.deltachildren.com/  
pages/instructions](https://www.deltachildren.com/pages/instructions)

**BESOIN D'AIDE SUPPLÉMENTAIRE?**

Nous facilitons l'assemblage avec  
nos trucs et astuces vidéo

[https://www.deltachildren.com/  
pages/instructions](https://www.deltachildren.com/pages/instructions)

**¿NECESITA AYUDA EXTRA?**

Hacemos el montaje fácil con  
nuestros consejos y trucos video

[https://www.deltachildren.com/  
pages/instructions](https://www.deltachildren.com/pages/instructions)

When contacting Delta Consumer Care, please reference the information on the Product Information label found on the product.

Lorsque vous contactez le Service après Vente de Delta, veuillez nous donner les références sur l'étiquette d'Information qui se trouve sur le produit.

Cuando contacte al Servicio de Atención al Consumidor de Delta por favor mencione los datos que aparecen en la etiqueta de información que se encuentra en el producto.



Product information label  
L'étiquette d'information  
Etiqueta de información

**Consumer Care:**

Delta Children's Products Corp  
114 West 26th Street New York, NY 10001  
Tel: (646) 435-8728

Email: tcs@DeltaChildren.com

<https://www.deltachildren.com/pages/instructions>



# SAVE BIG WITH DELTA CHILDREN

Visit [Deltachildren.com](http://Deltachildren.com) To Start Shopping

Welcome to the  
**DELTA FAMILY**  
Here's a Gift From Us To You

**10% OFF**

Your Next Purchase From  
[DeltaChildren.com](http://DeltaChildren.com)

USE CODE:  
**DELTA10**

\*Exclusions Apply  
\*Subject to Change

## REVIEW TO WIN \$2500

### RULES TO ENTER



**"We LOVE, LOVE, LOVE this crib"**

My husband was impressed with the directions and organization of the hardware package. He easily assembled this crib in an hour without any help. It's very sturdy and we like that it has adjustable levels for the mattress height. To top it all off, it's so incredibly darling!!!

- 1** **WRITE A REVIEW** for this product on the store's website from where it was purchased
- 2** **TAKE A SCREENSHOT** of your review and upload it to [www.DeltaChildren.com/Review](http://www.DeltaChildren.com/Review)
- 3** **IT'S THAT EASY!** Upon submission, you'll be instantly **ENTERED TO WIN \$2,500**

### FOLLOW US FOR MORE CHANCES TO WIN



### SCAN HERE



For more information and to see all of our products

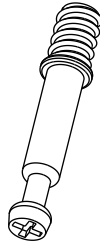
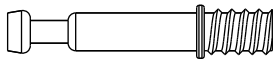




**PARTS: HARDWARE KITS PART**

**PIÈCES: PIÈCES DU KIT DE QUINCAILLERIE**

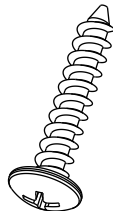
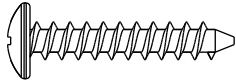
**PIEZAS: EL KIT DE HERRAMIENTAS-PIEZA**



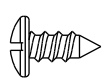
AA x 12  
Cam Bolt



BB x 12  
Φ12 x 10MM



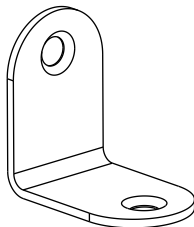
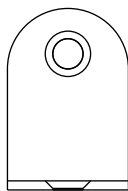
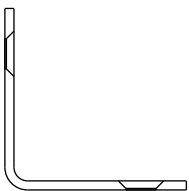
CC x 10  
M5 x 30MM



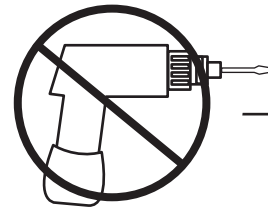
DD x 9  
M3 x 12MM



EE x 4  
M4 x 16MM



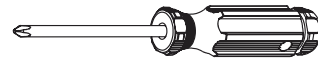
FF x 2



**No drills necessary.**  
Do not use power screwdriver.

**Aucun perçage nécessaire.**  
Veuillez ne pas utiliser de tournevis électriques.

**No hace falta taladrar.**  
No utilice destornilladores eléctricos



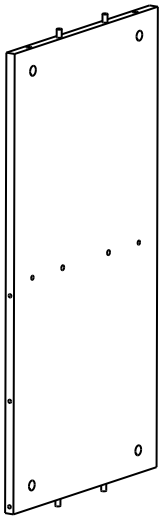
Phillips Screwdriver (Not Provided)  
Tournevis curciform (non fourni)  
Destornillador Phillips (No incluido)



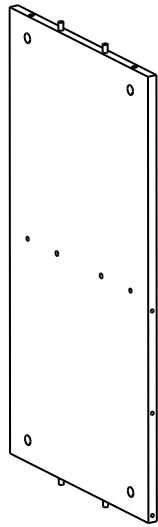
PARTS: MAKE SURE THAT ALL PRE-ASSEMBLED PARTS ARE TIGHT

PIÈCES: VEUILLEZ VOUS ASSURER QUE TOUTES LES PIÈCES PRÉ-ASSEMBLÉS SONT BIEN SÉRRÉES

PIEZAS: ASEGÚRESE DE QUE TODAS LAS PIEZAS PRE-ENSAMBLADAS ESTÁN BIEN APRETADAS.



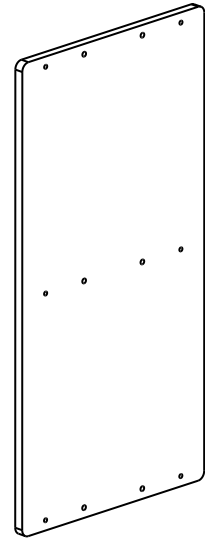
A x 1



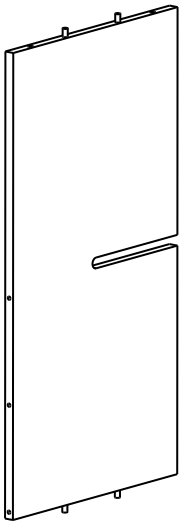
B x 1



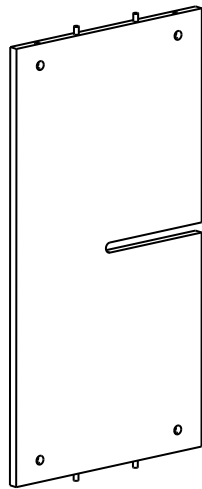
C x 1



D x 1



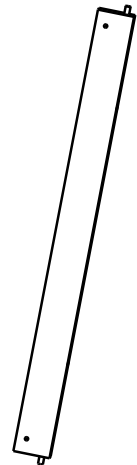
E x 1



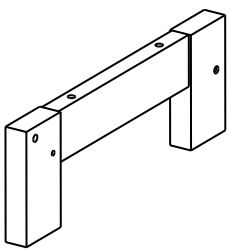
F x 1



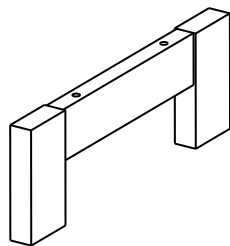
G x 1



H x 1



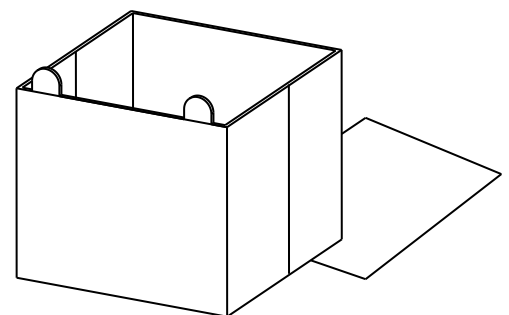
I x 1



J x 1



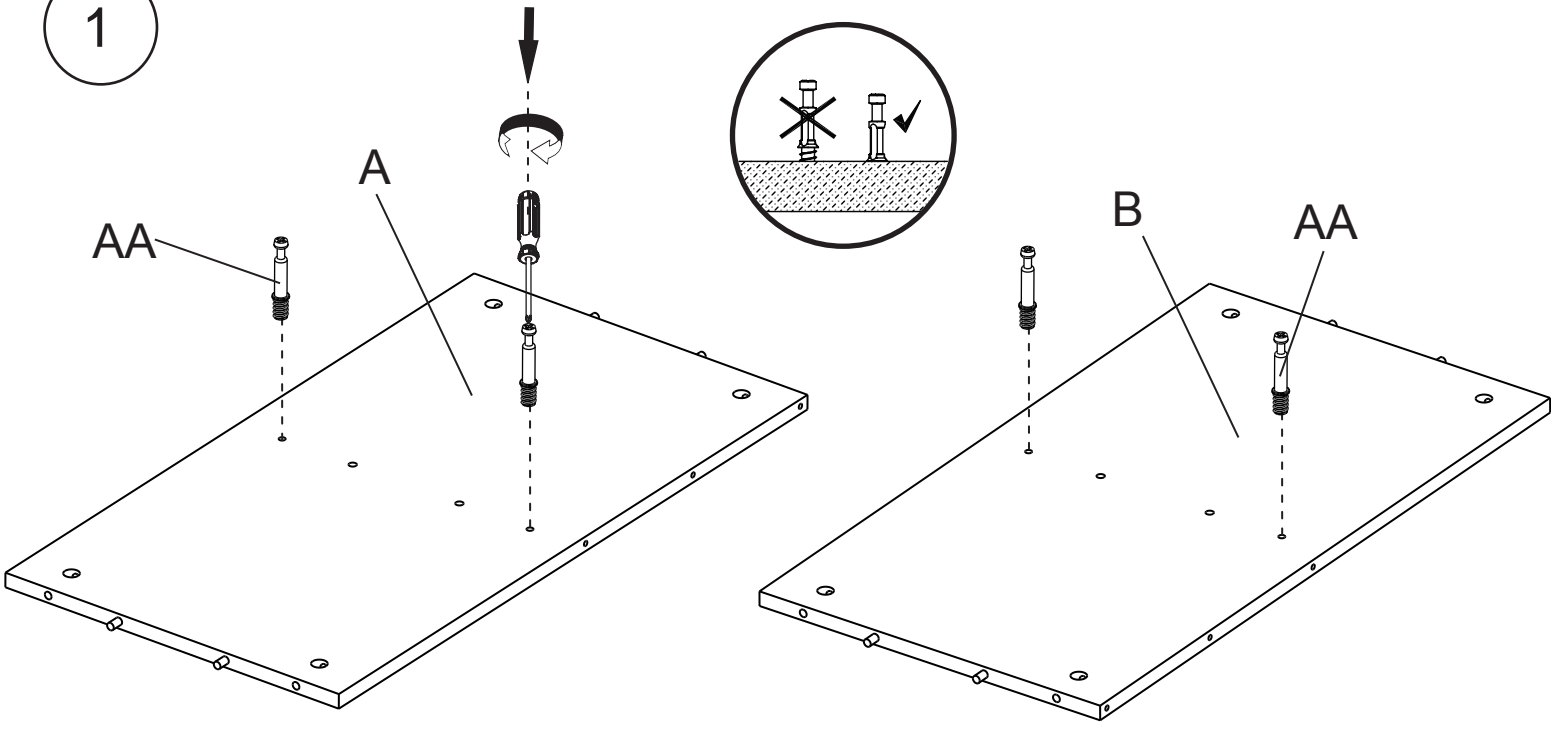
K x 2



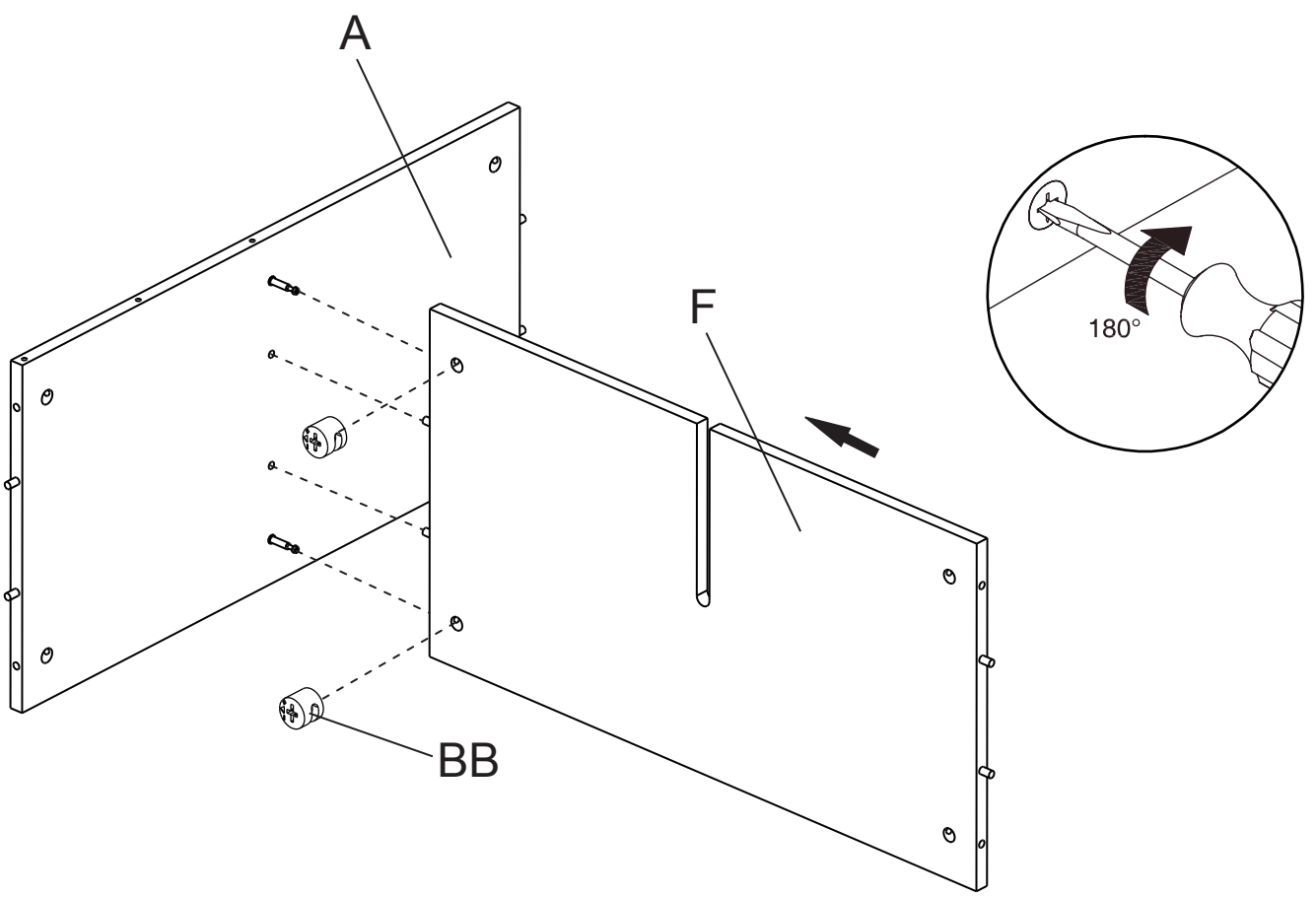
L x 2



1

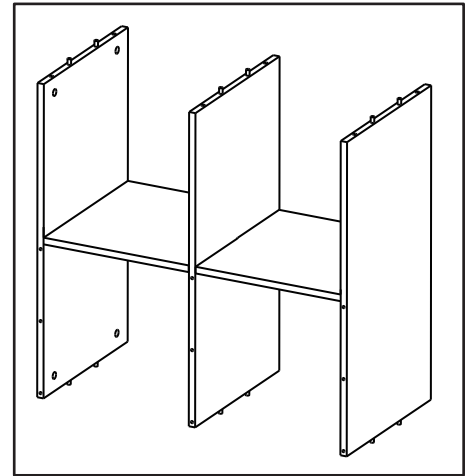
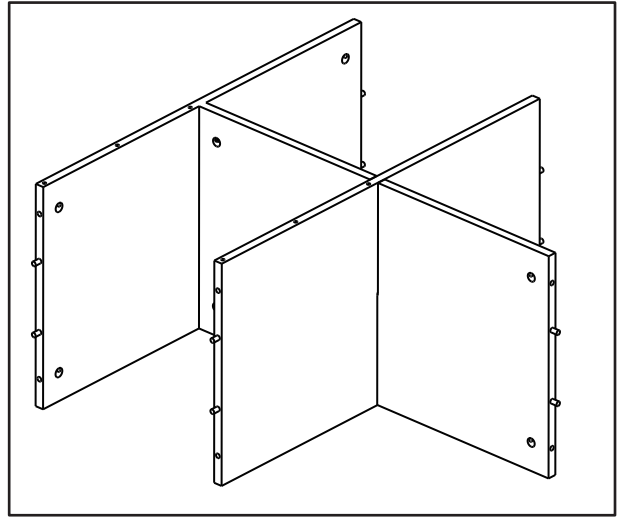
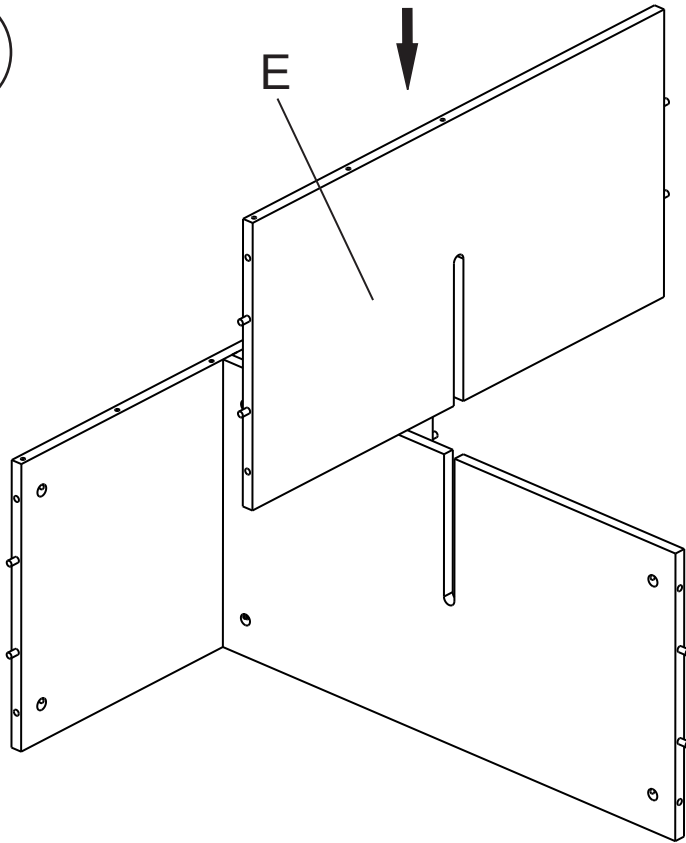


2

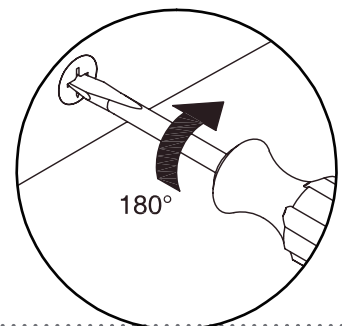
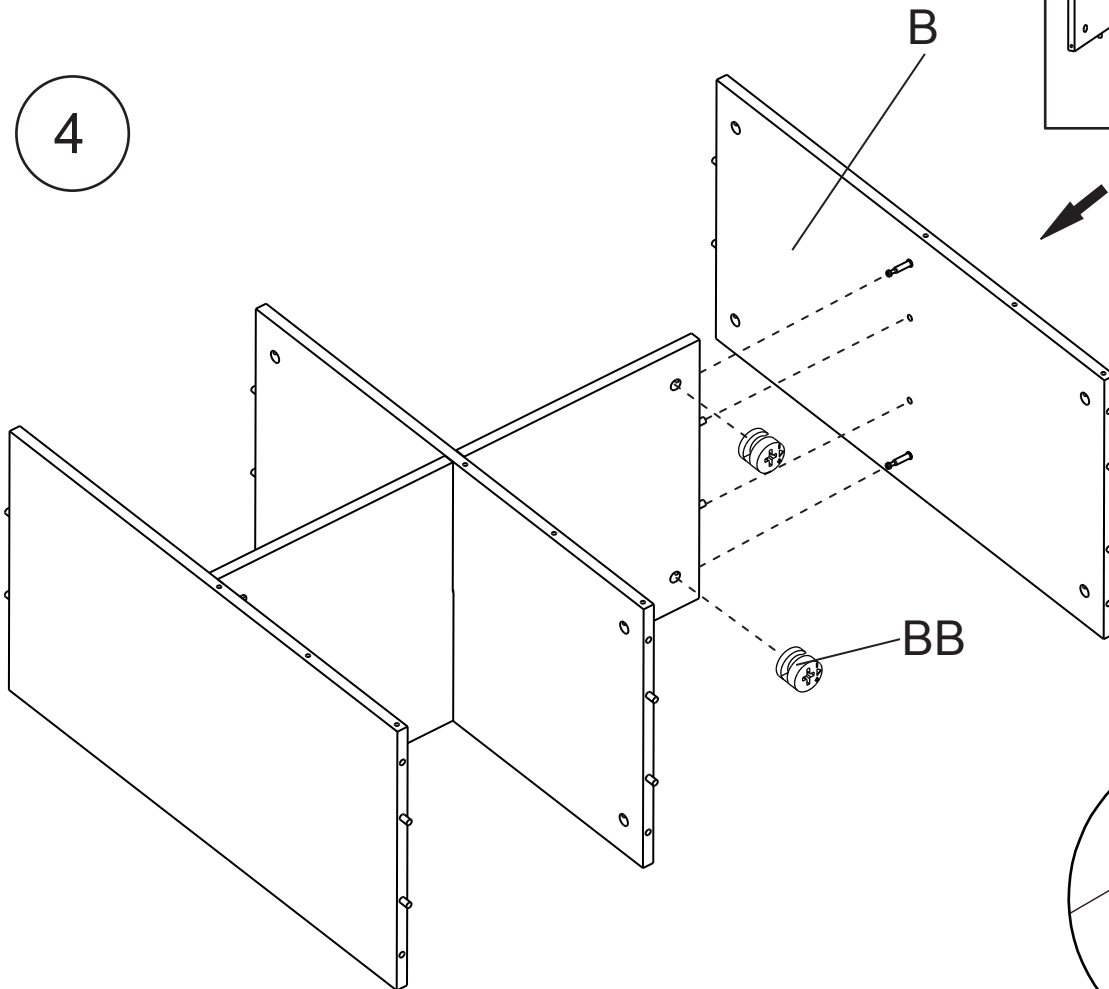




3

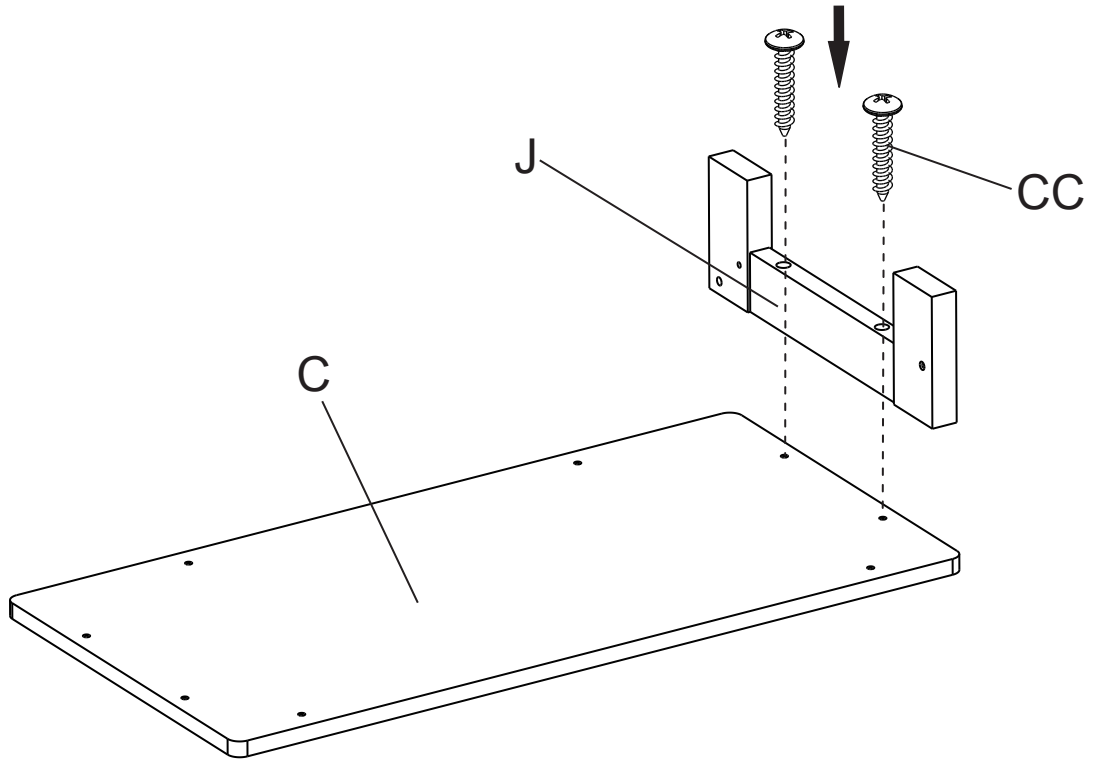


4

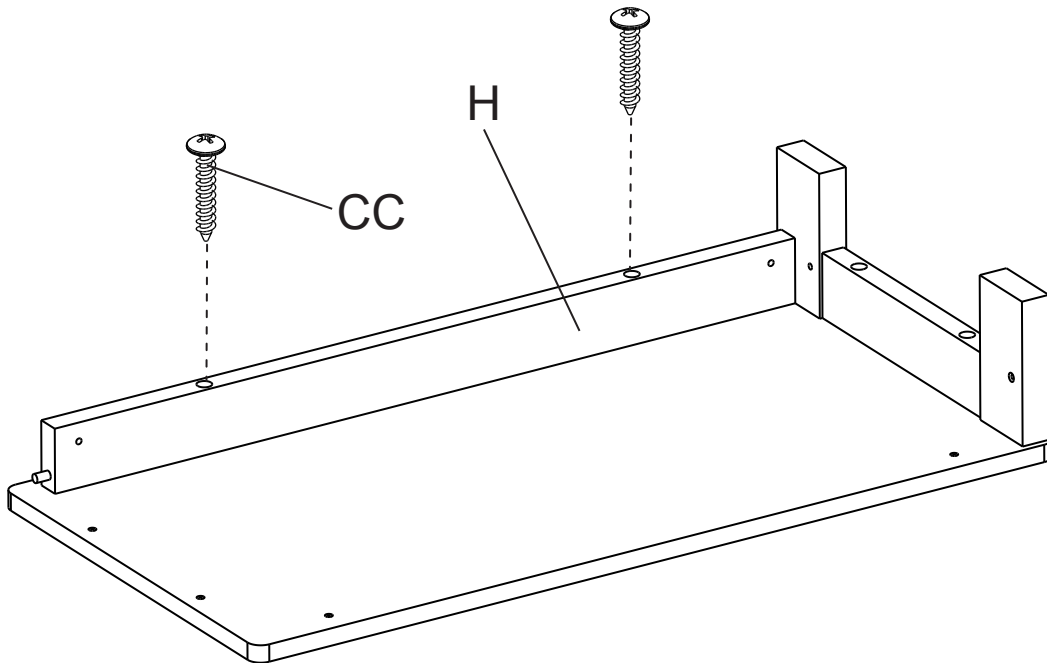
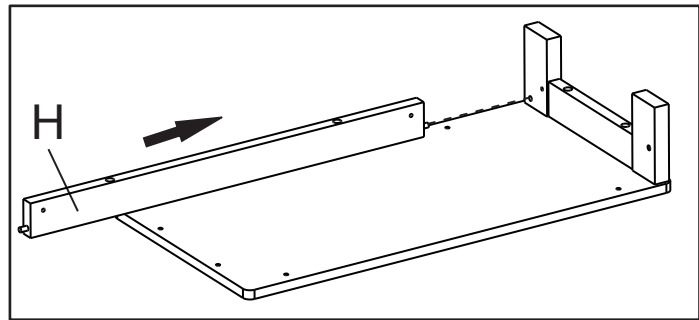




5

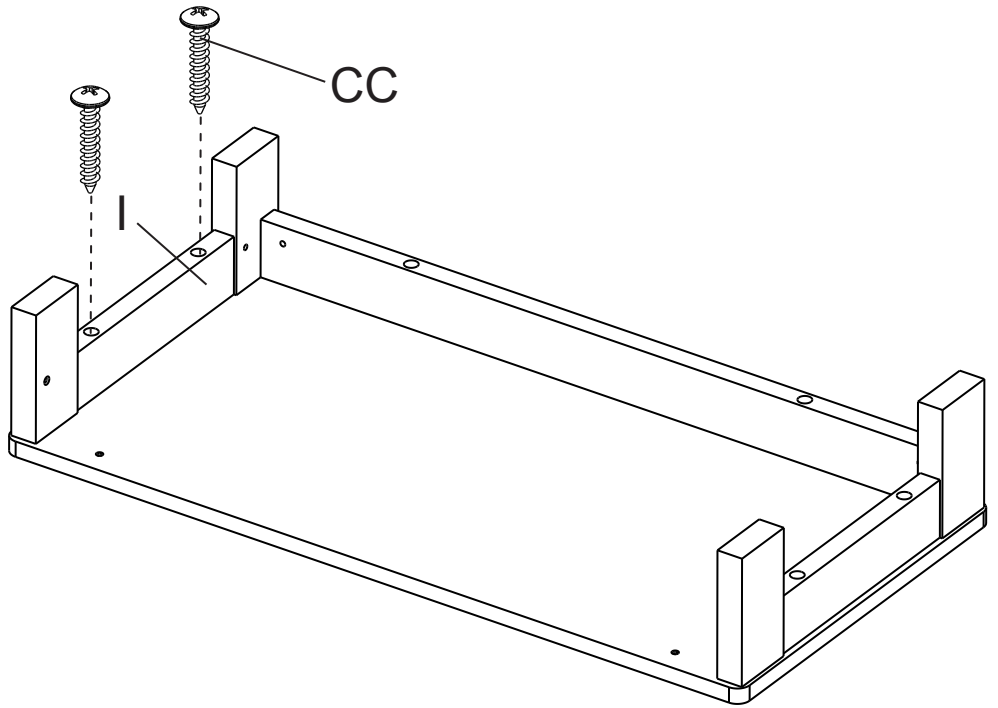
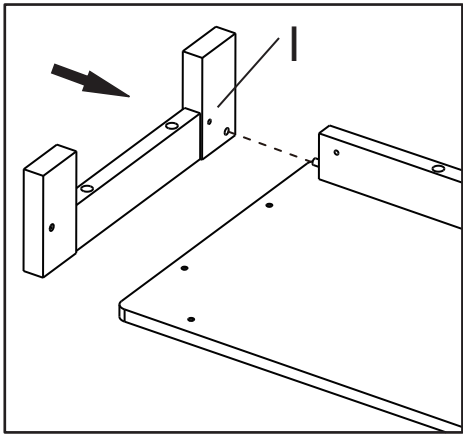


6

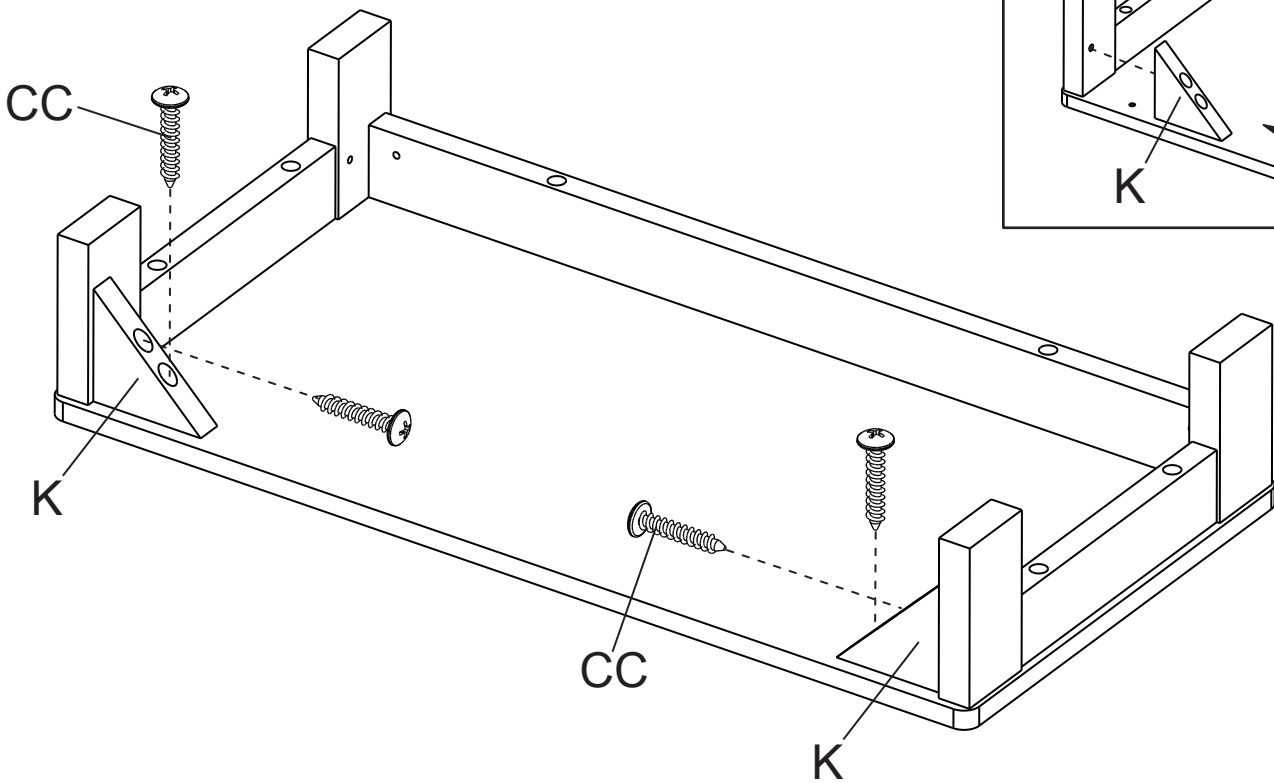
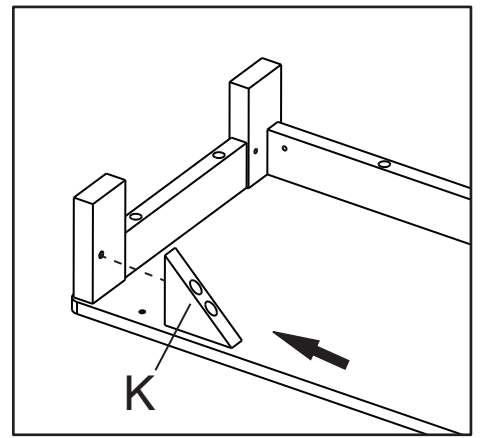




7



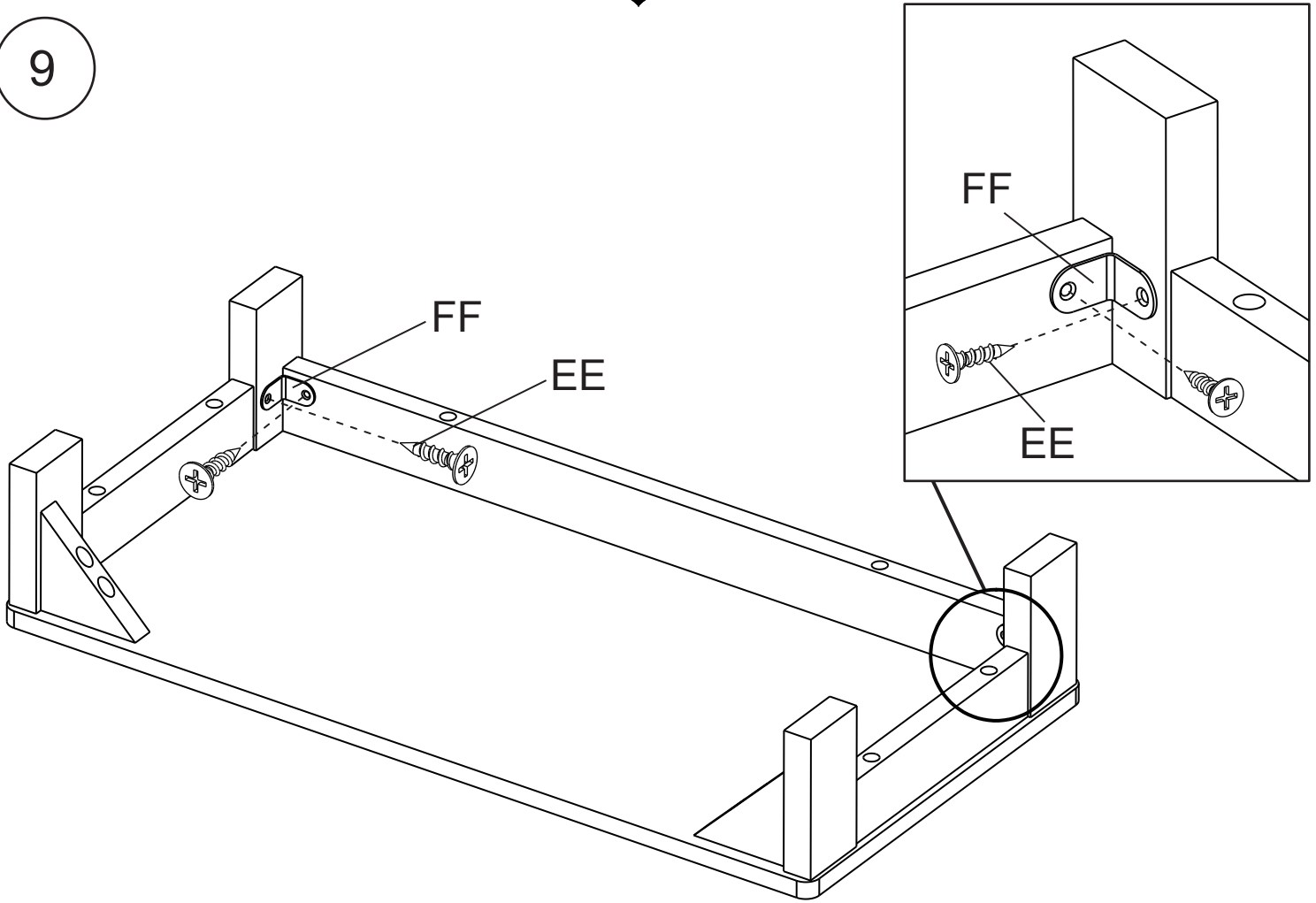
8



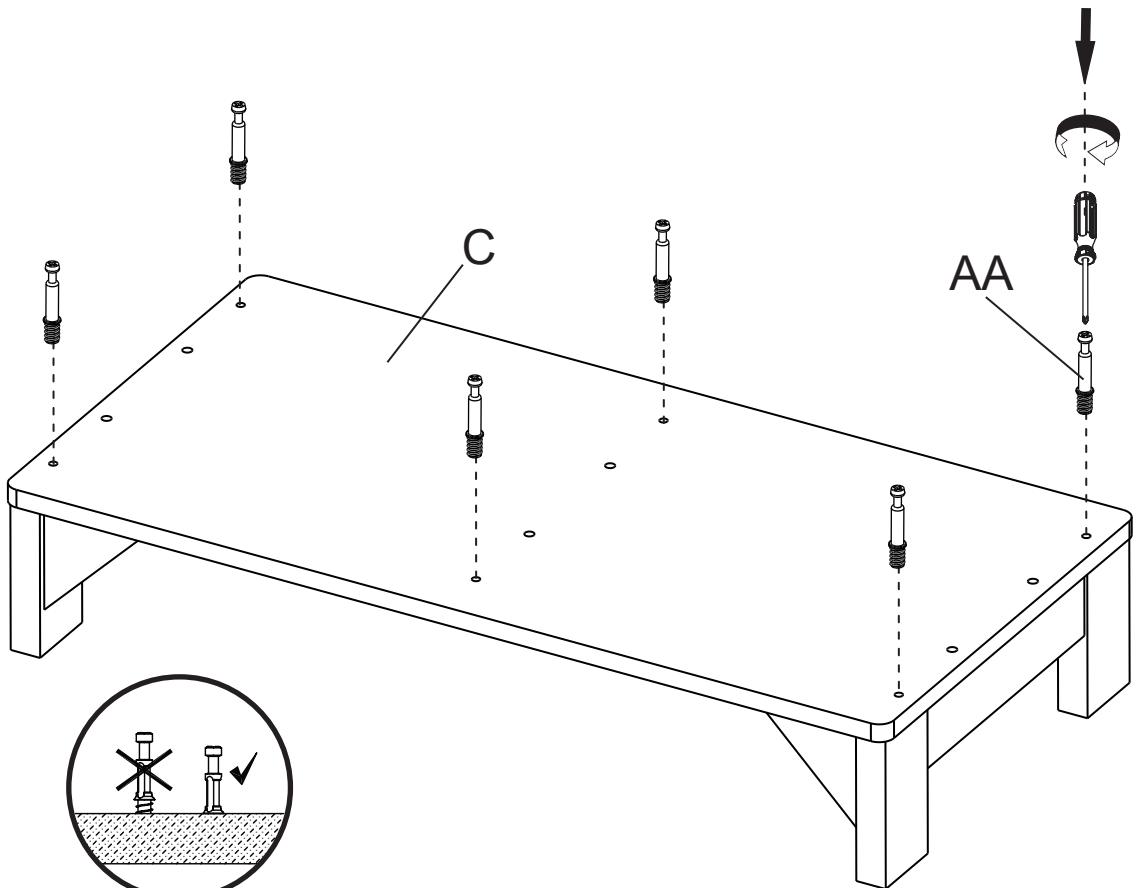




9

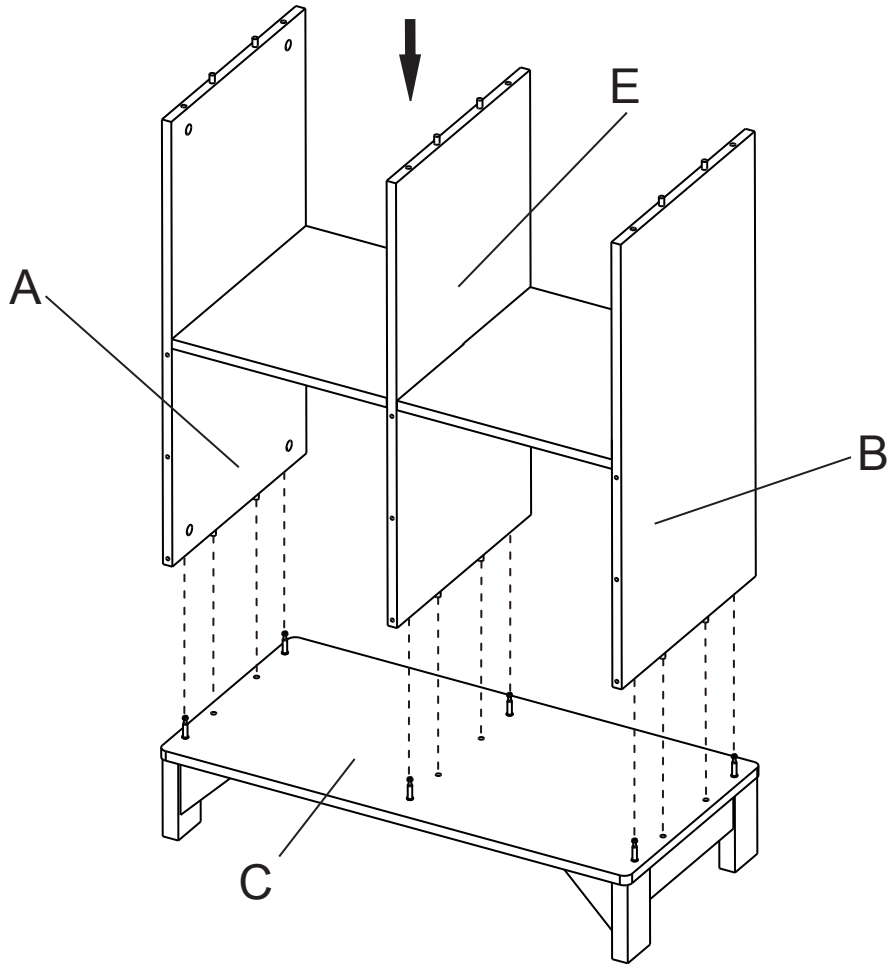


10

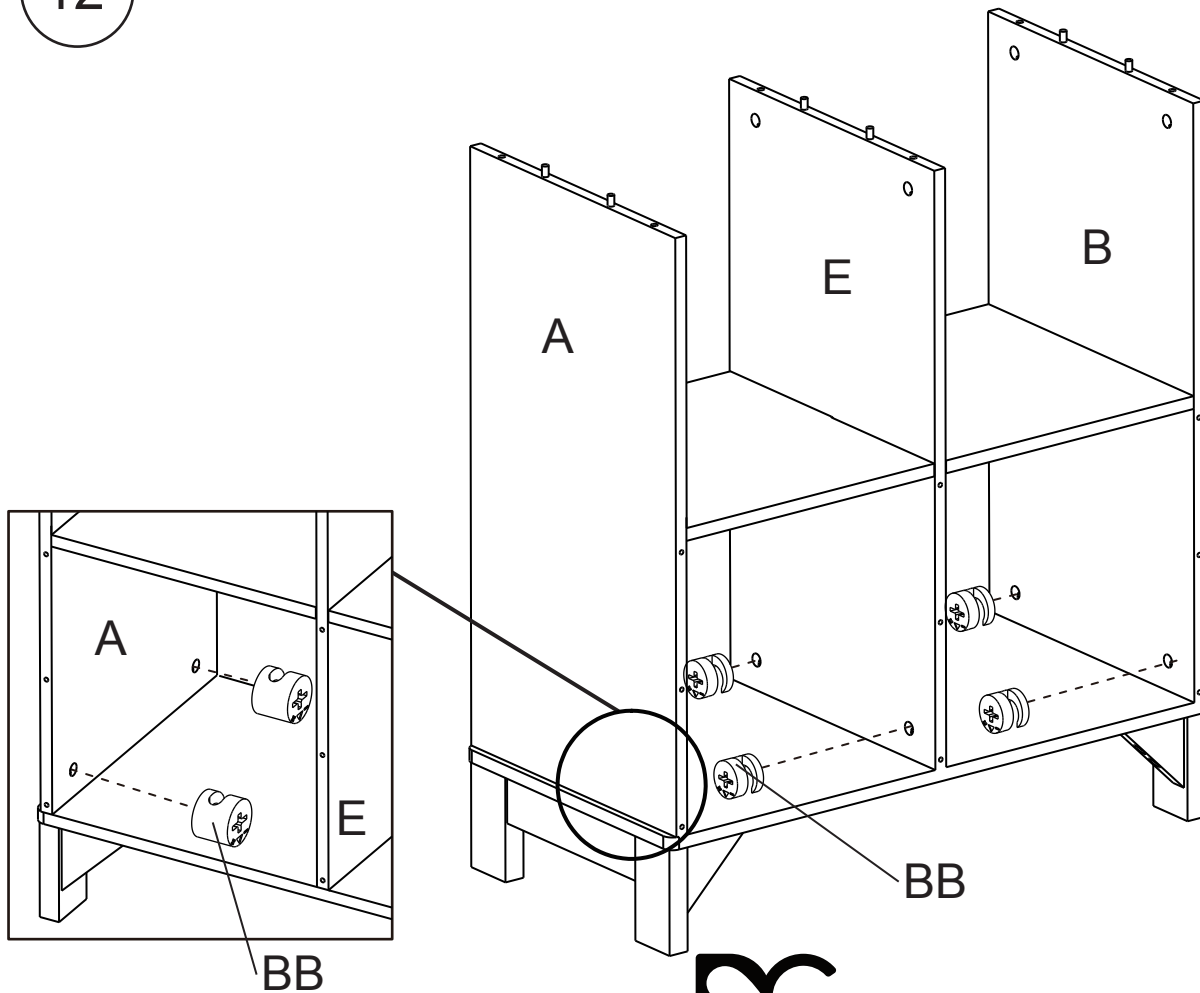




11

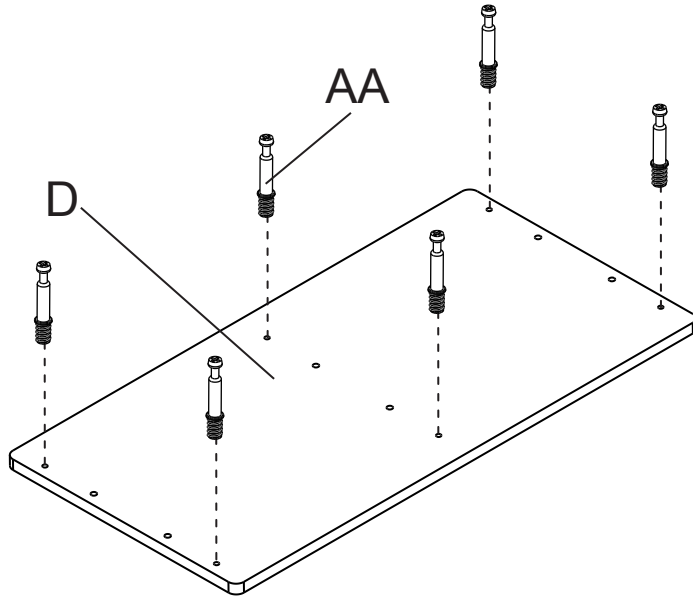


12

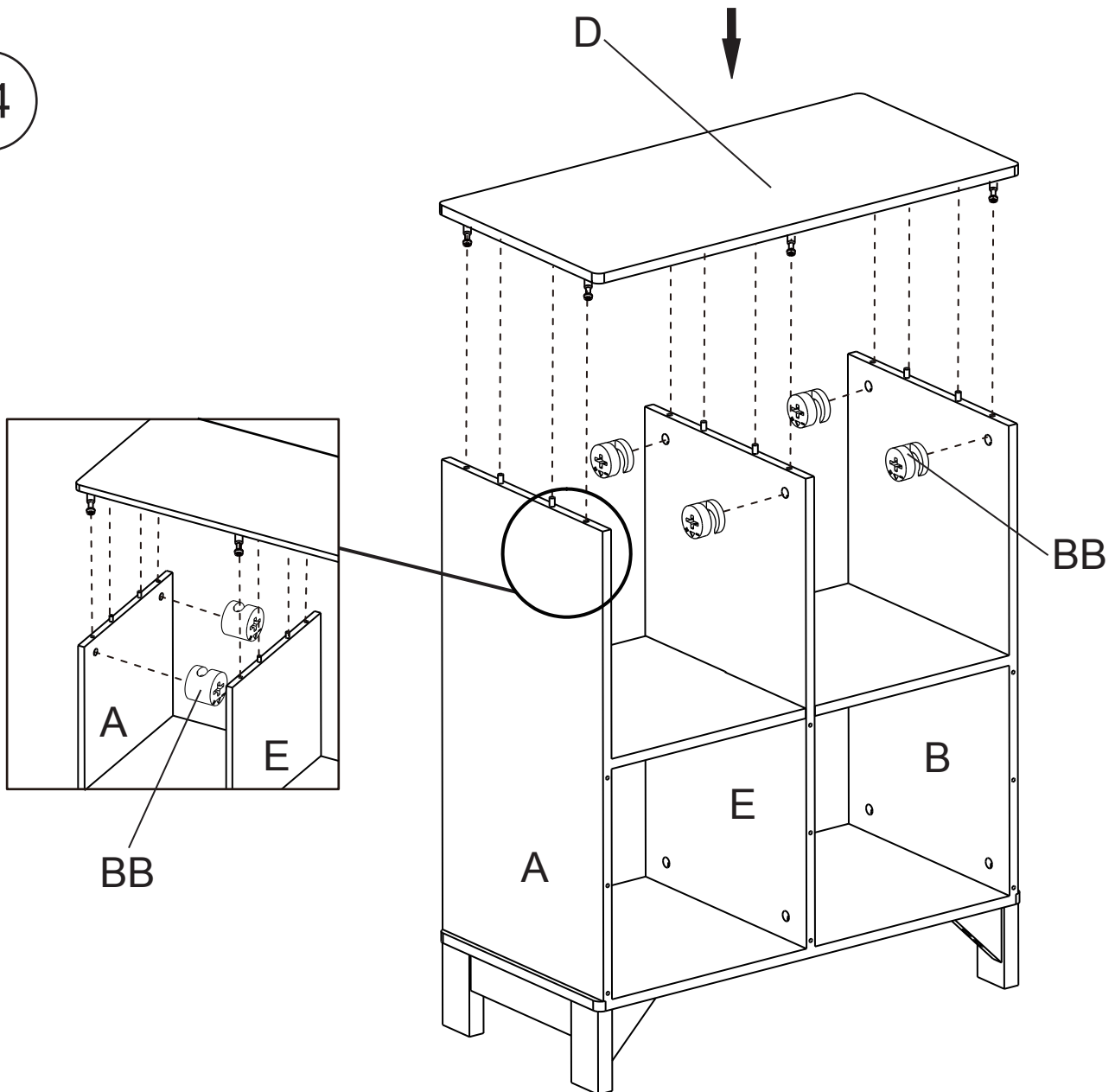




13

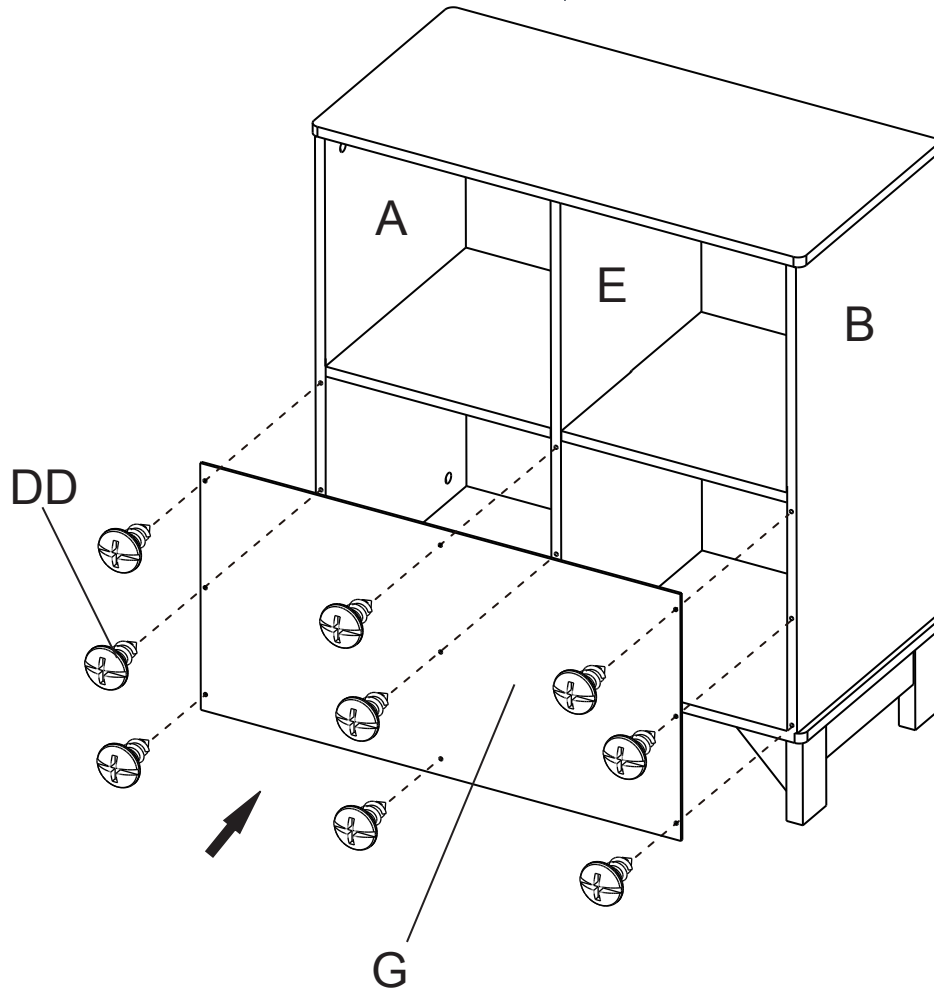


14

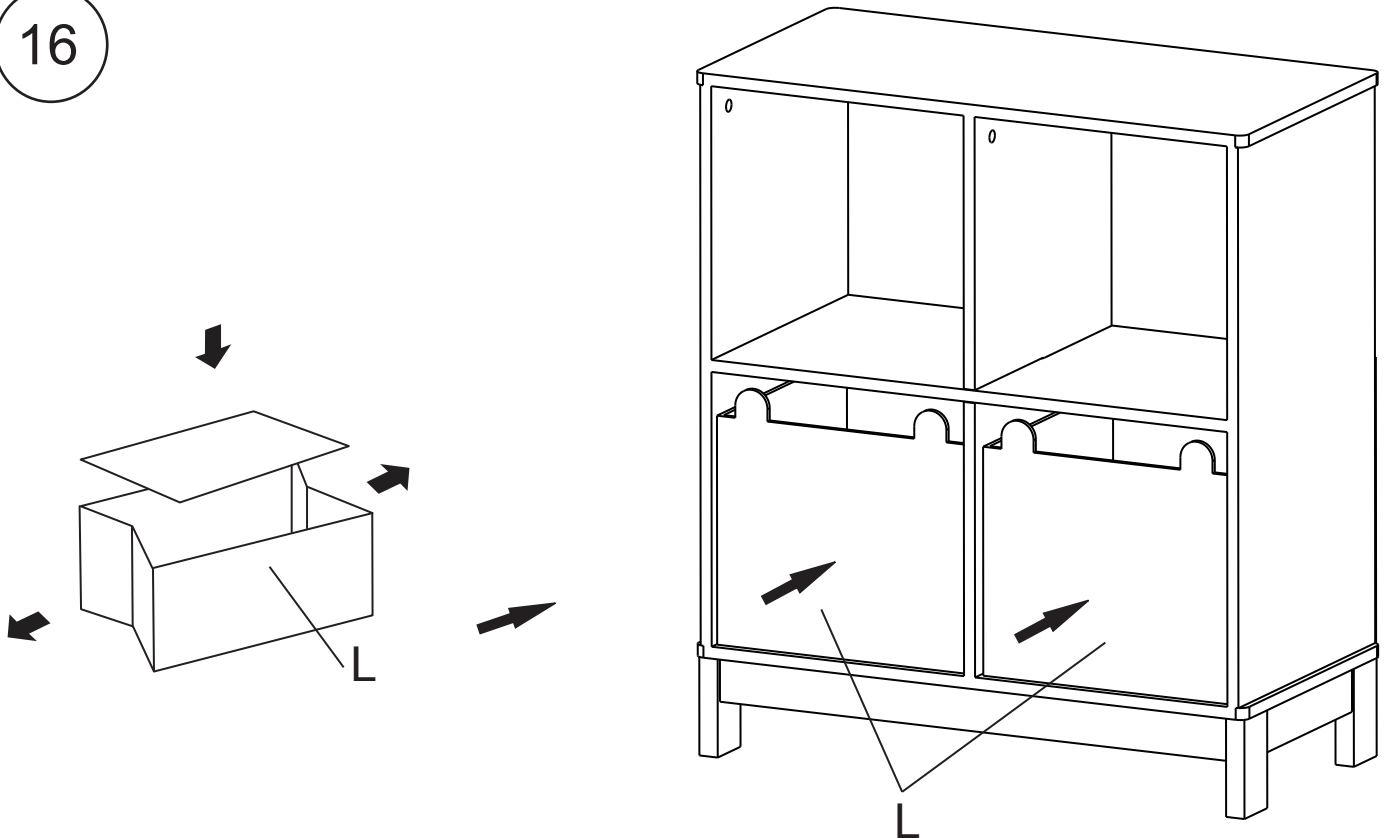




15



16



# WHY CHOOSE DELTA CHILDREN?

Visit [Deltachildren.Com/Pages/Our-Story](http://Deltachildren.Com/Pages/Our-Story) for more information

<p><b>DELTA LEADS</b> 1 Out Of 2 Children In The U.S. Sleep In Our Products</p>	<p><b>DELTA GIVES</b> 10% Of Our Proceeds Go Toward Improving The Lives Of Children</p>	<p><b>DELTA CARES</b> We Test Above &amp; Beyond Industry Safety Standards</p>	<p><b>DELTA IS DEDICATED</b> Our Family-Run Company Has Been There For Your Family Since 1968</p>	<p><b>DELTA GROWS WITH YOU</b> We Have Products For Every Age And Stage</p>	<p><b>Over 50 Years Of Safety, Style &amp; Innovation</b></p>
---	---	--	---	---	---

Welcome to the  
**DELTA FAMILY**  
Here's a Gift From Us To You












**10% OFF**

Your Next Purchase From  
[DeltaChildren.com](http://DeltaChildren.com)

USE CODE:  
**DELTA10**

\*Exclusions Apply  
\*Subject To Change

## PRODUCTS FOR EVERY AGE AND STAGE

 CRIBS	 STROLLERS	 GLIDERS	 BASSINETS	 MATTRESSES	
 BABY GEAR	 TODDLER BEDS	 PLAYROOM FURNITURE	 TWIN BEDS	 BINS & ORGANIZERS	 DRESSERS

## OUR FAMILY OF TOP BRANDS



OVER 50 YEARS OF SAFETY, STYLE, AND INNOVATION



