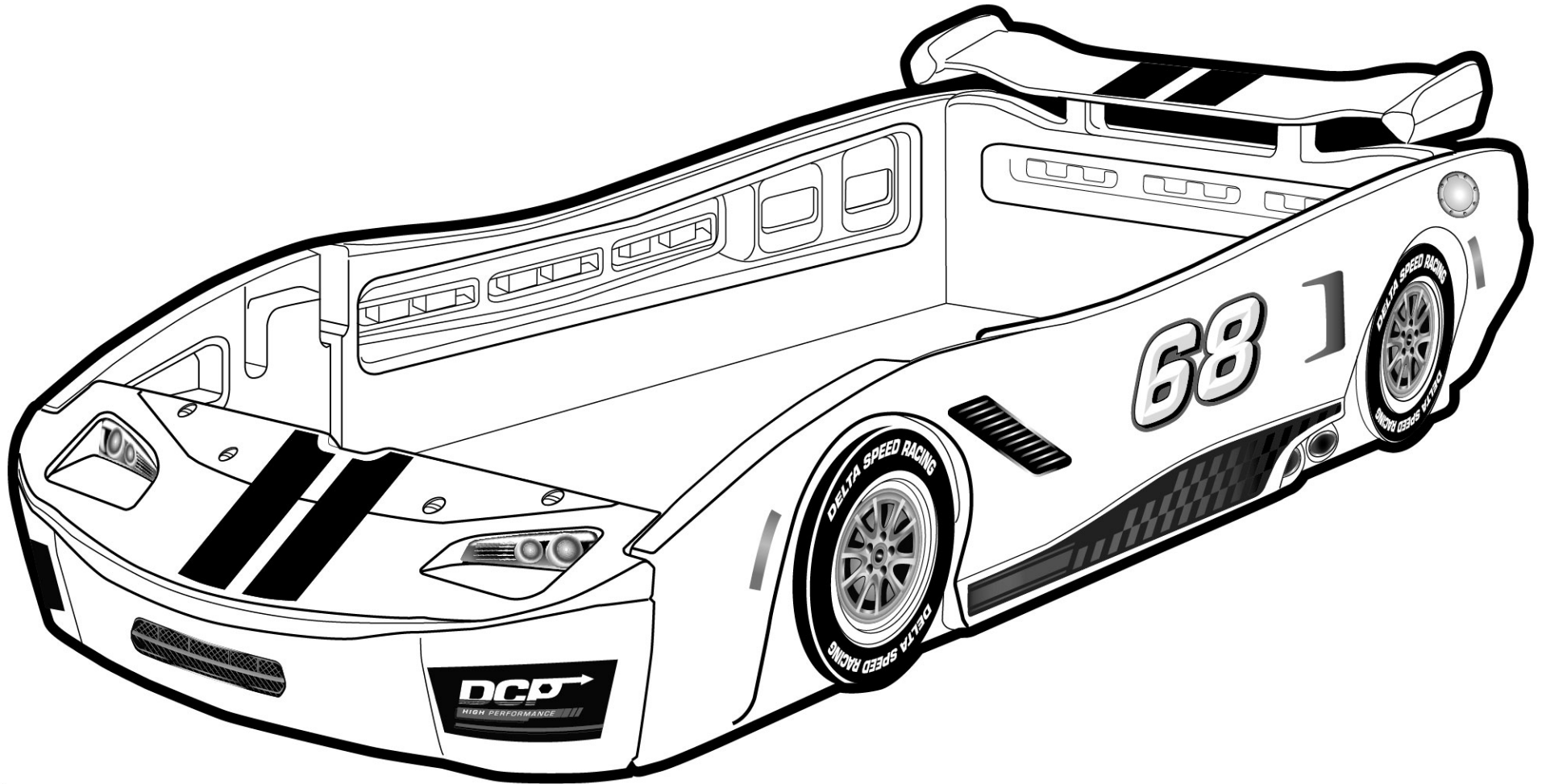




TURBO RACE CAR TWIN BED

BB87003GN_BB87005GN_BB87006GN_BB87064GN



⚠ WARNING:

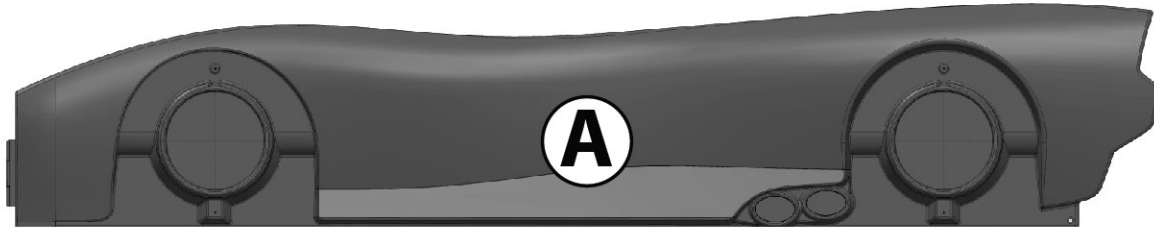
THIS ITEM REQUIRES ASSEMBLY BY AN ADULT BECAUSE OF SMALL PARTS. CARE SHOULD BE TAKEN IN UNPACKING AND ASSEMBLY OF THIS PRODUCT. NEVER USE THE TWIN BED CONFIGURATION WITH CHILDREN YOUNGER THAN 2 YEARS OLD. INFANTS WHO CANNOT GET IN AND OUT OF A TWIN BED WITHOUT HELP CAN BE TRAPPED IN GAPS FORMED BETWEEN THE MATTRESS AND THE WALL OR PARTS OF THE BED AND SUFFOCATE.

PHILLIPS SCREWDRIVER REQUIRED
Colors and styles may vary slightly.
Accessories not included.
Bedding and mattress not included

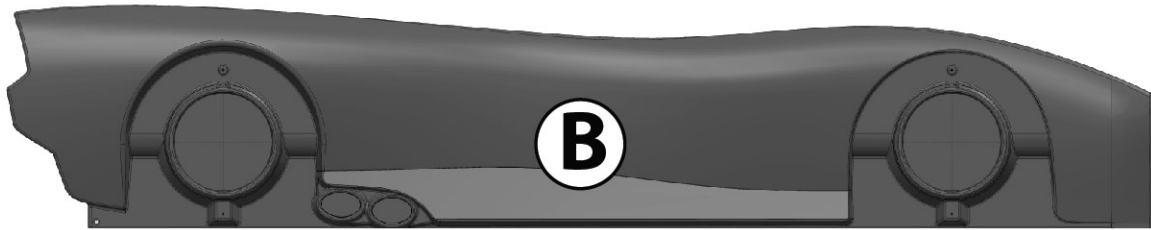


give them all the love you can

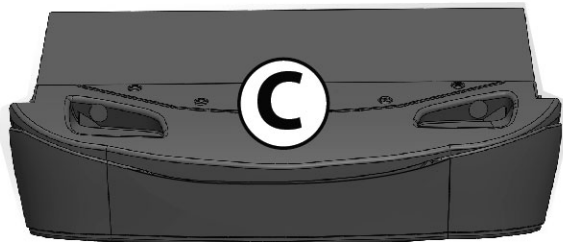
Twin Bed Parts



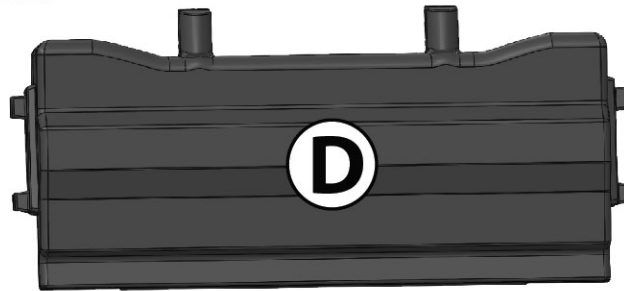
Right Side Panel



Left Side Panel



Front Bumper



Back Panel

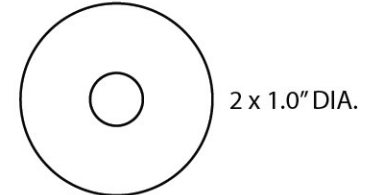
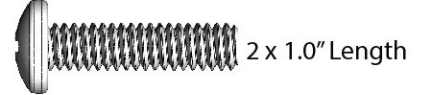


Spoiler



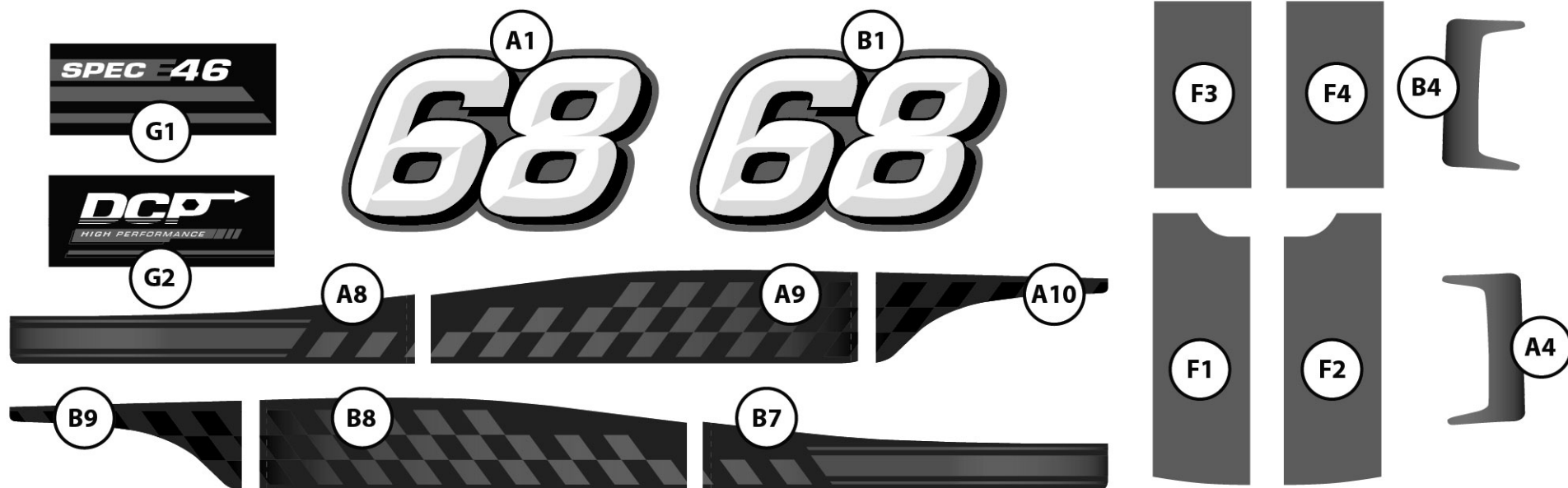
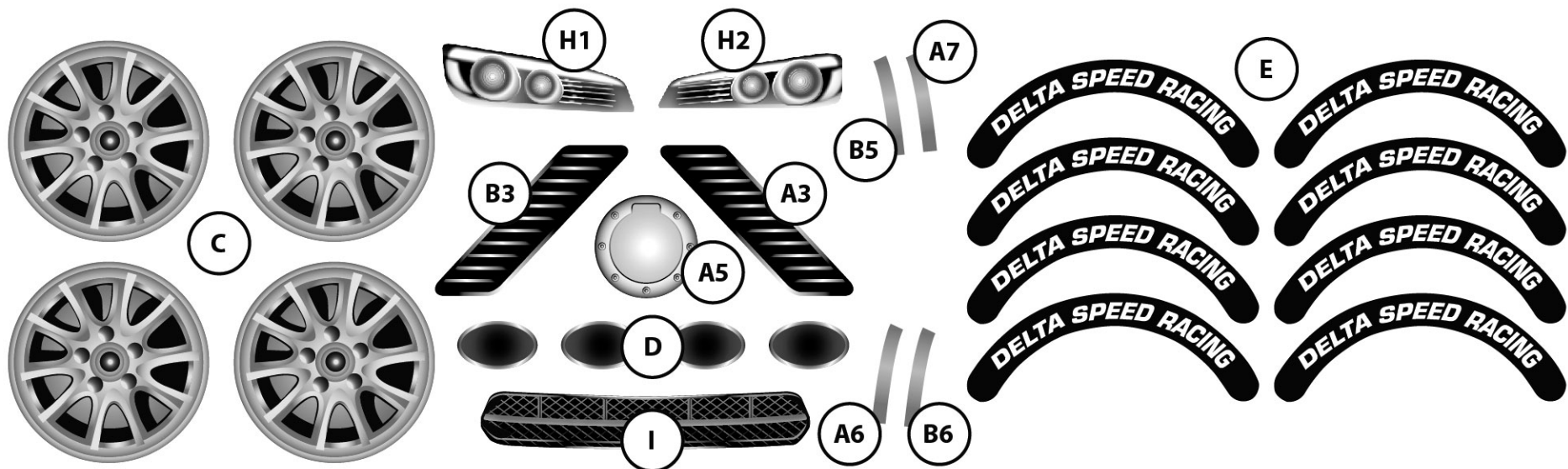
Tires

TO FULLY ASSEMBLE THE TWIN BED
YOU WILL NEED

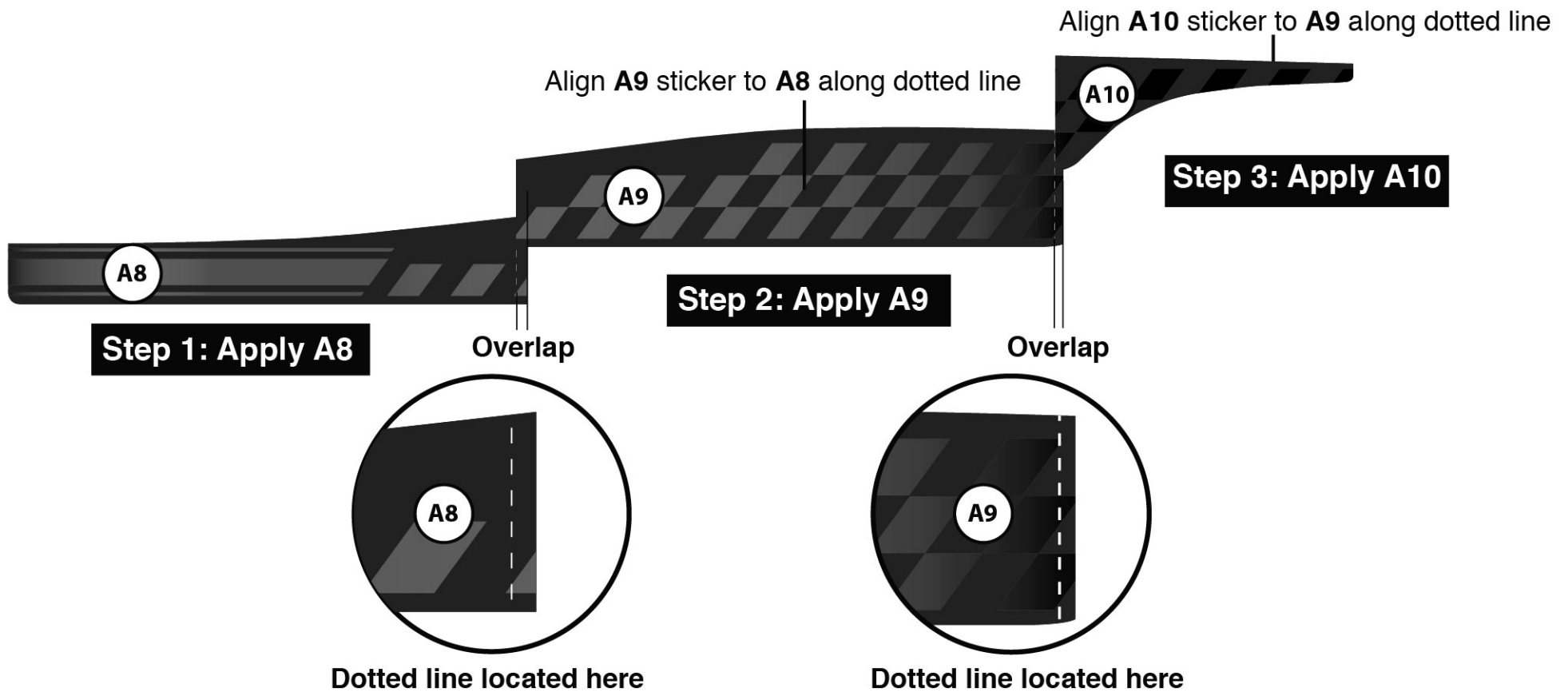
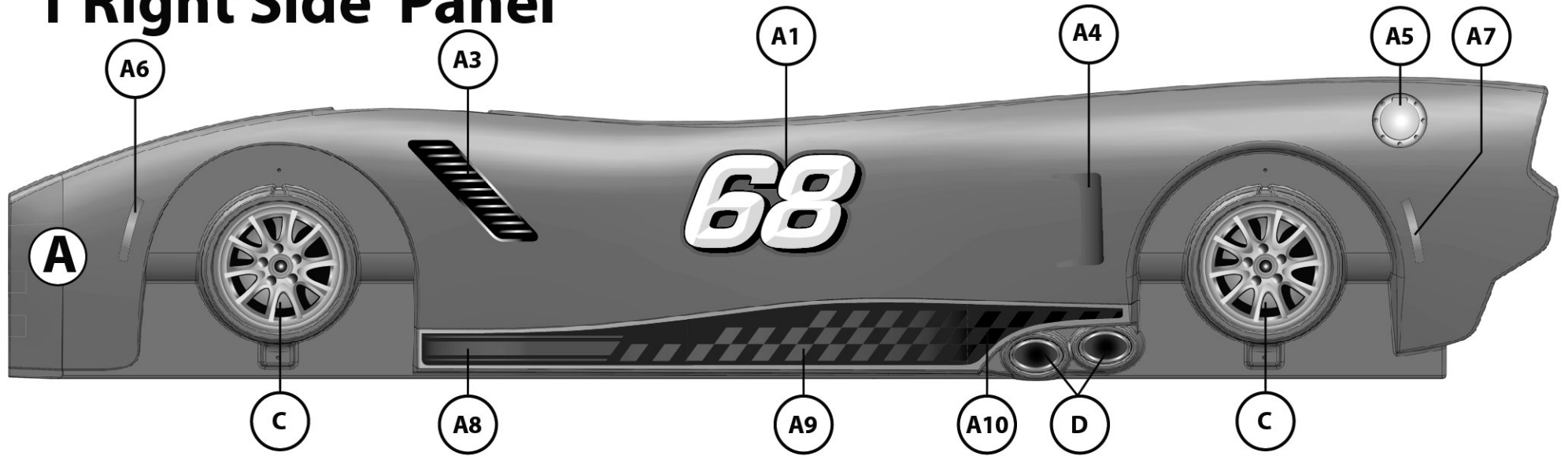


Stickers

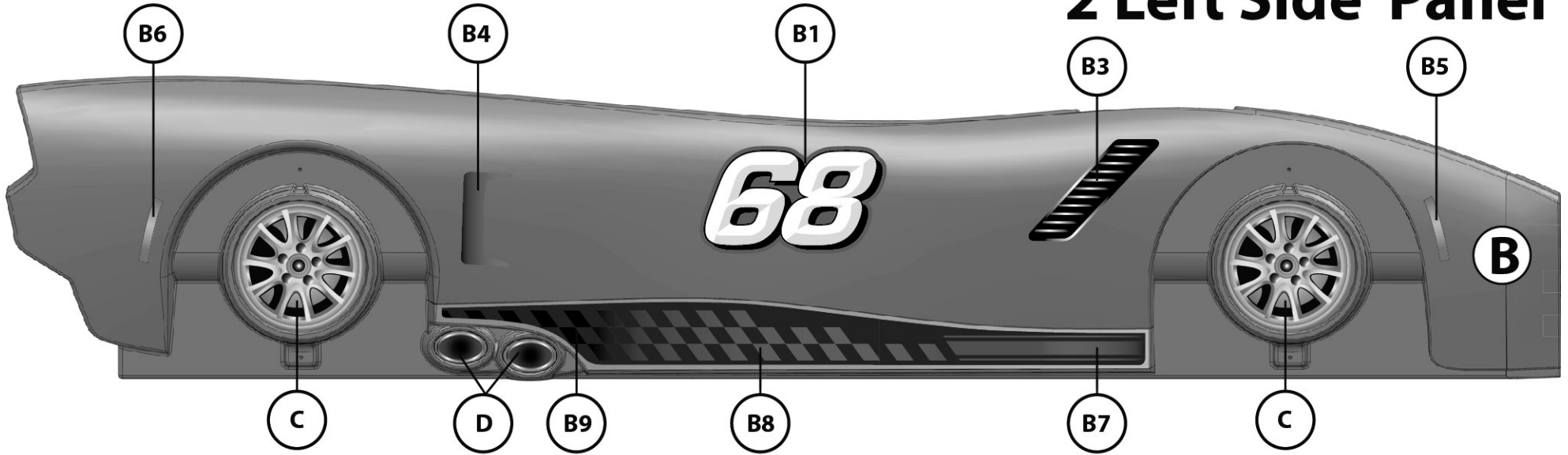
- Please apply all stickers on individual parts **before** assembly unless otherwise specified
- **DO NOT** apply stickers to tires and spoiler until **AFTER** the twin bed is fully assembled
- For best results, place individual parts on a flat surface before applying stickers.



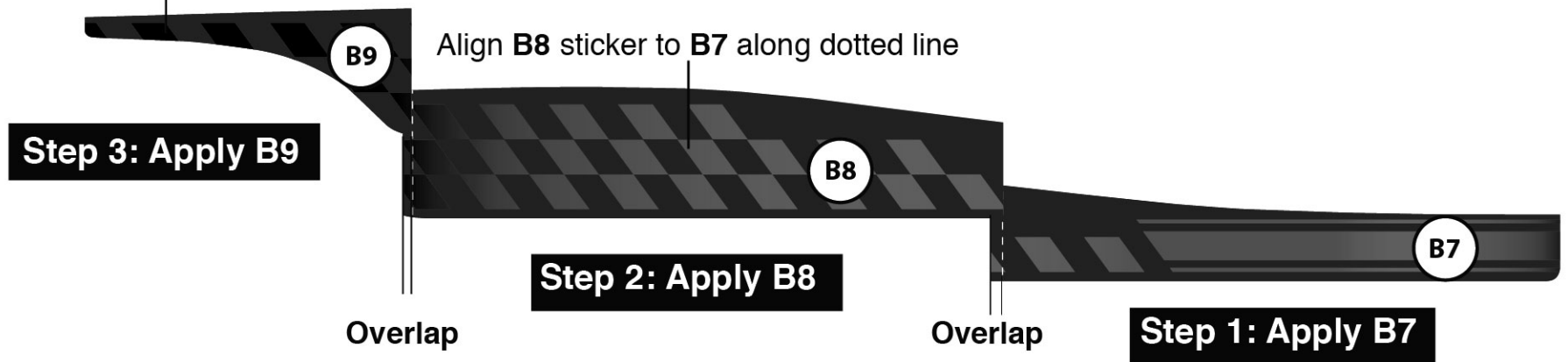
1 Right Side Panel



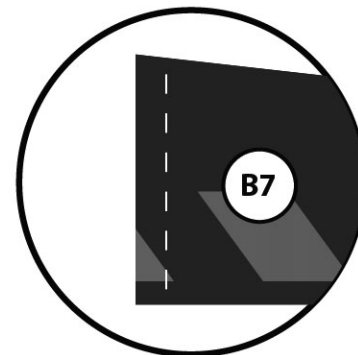
2 Left Side Panel



Align B9 sticker to B8 along dotted line

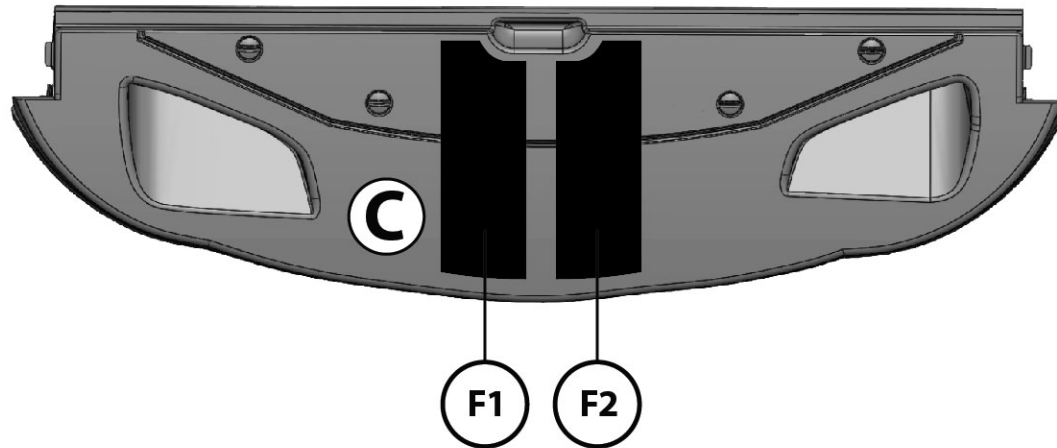


Dotted line located here

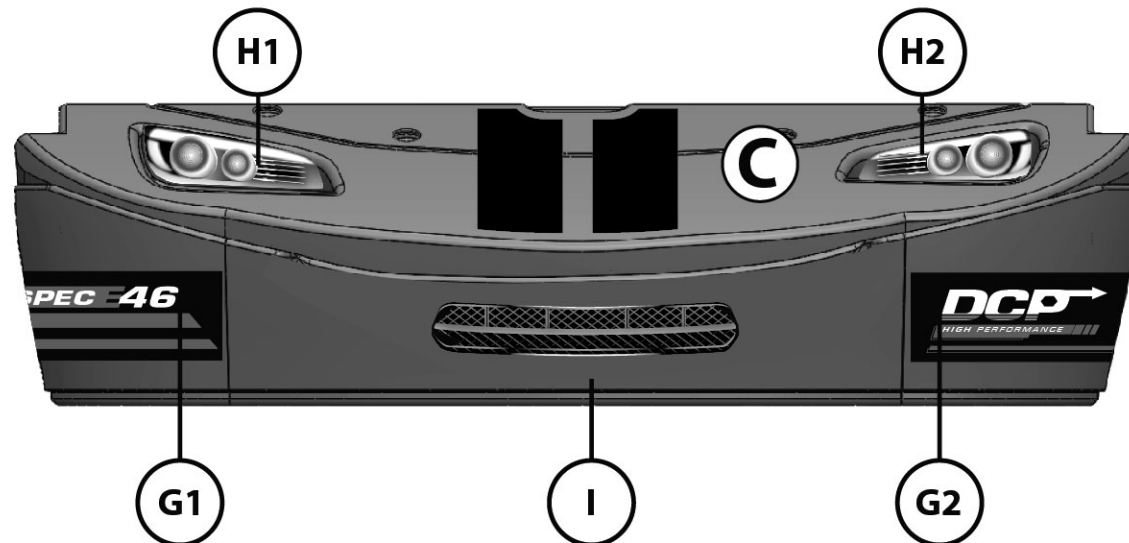


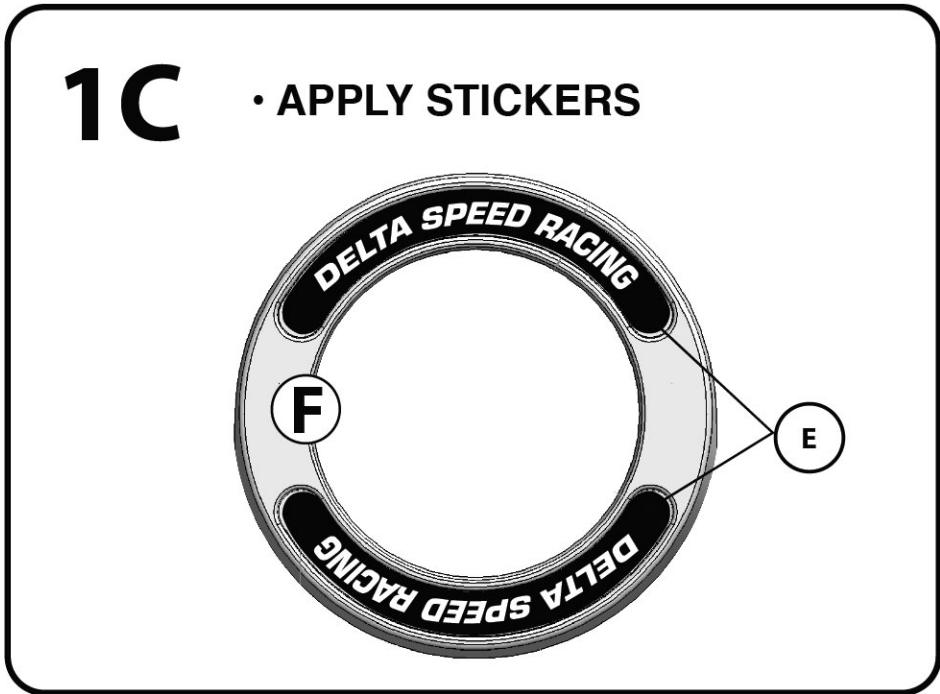
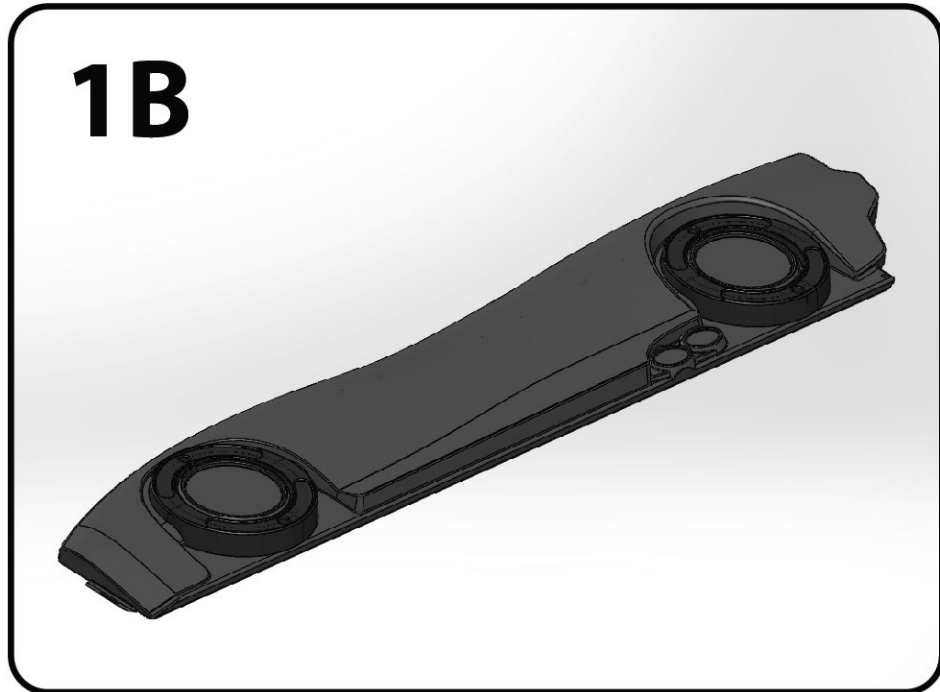
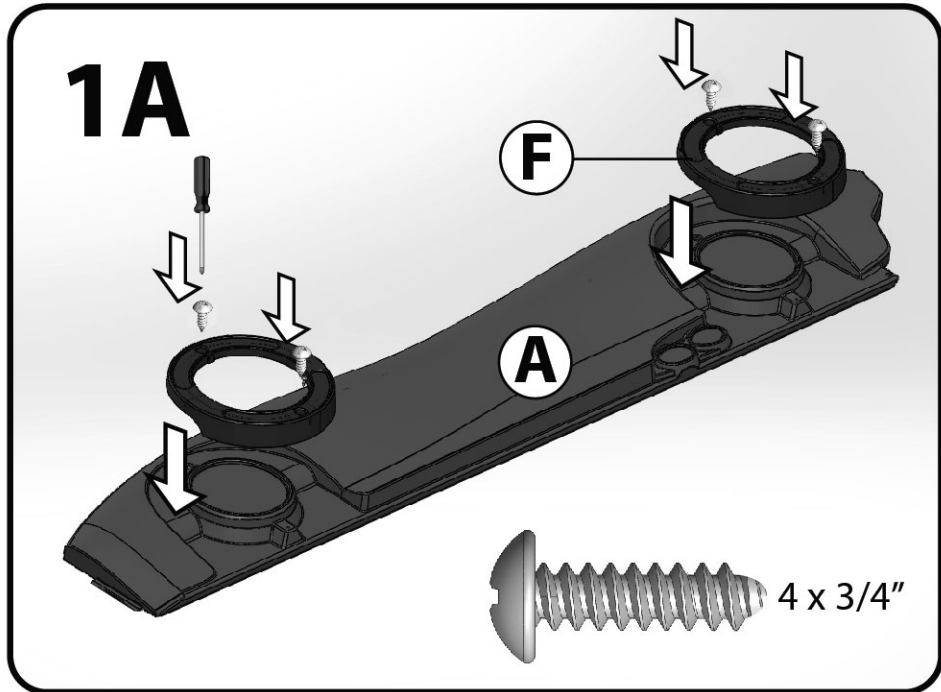
Dotted line located here

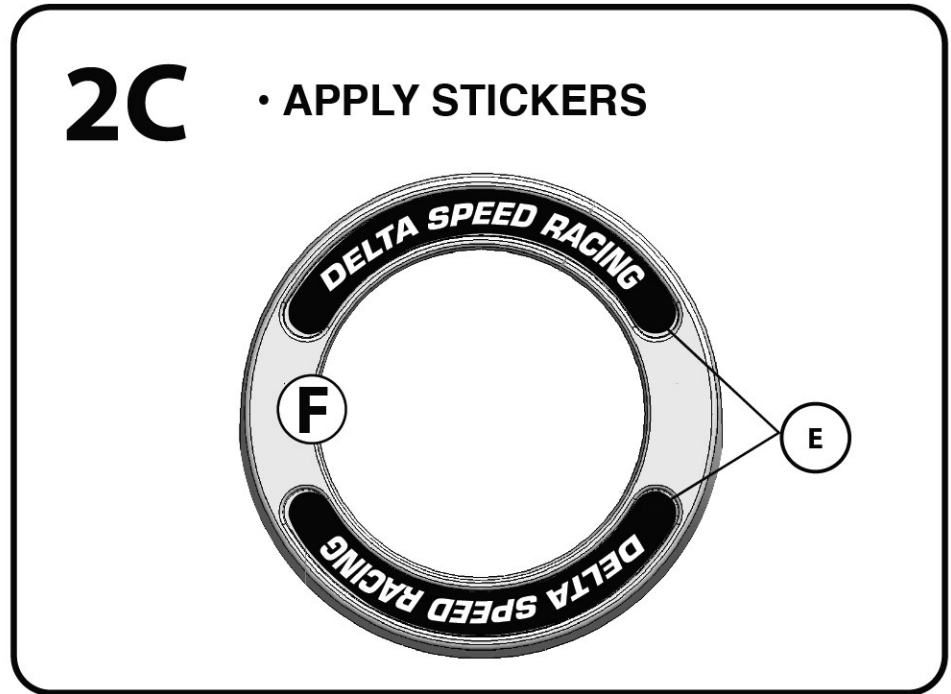
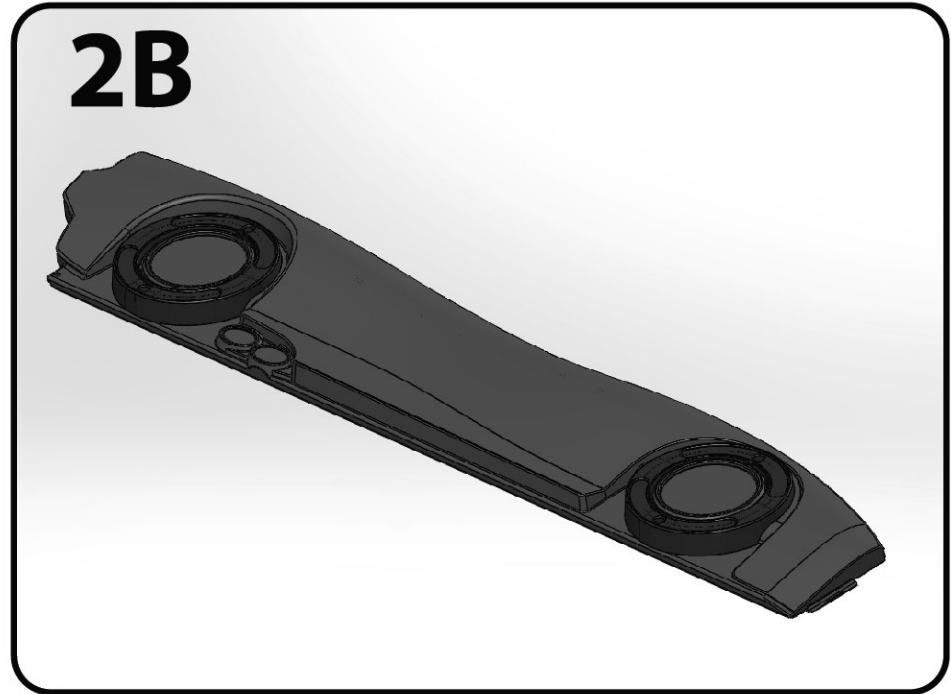
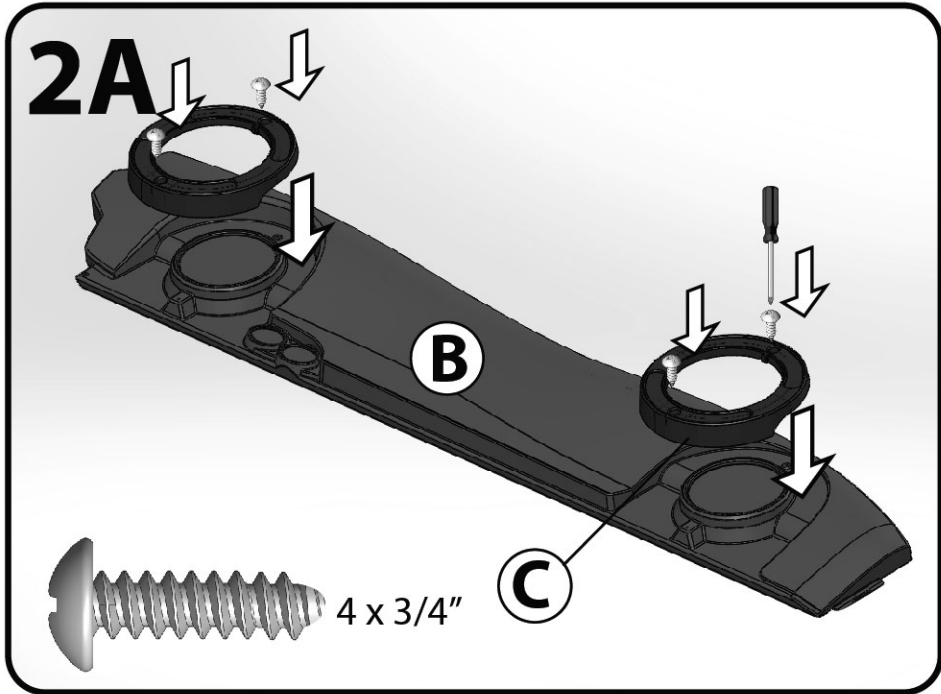
3 • APPLY STICKERS



4 • APPLY STICKERS

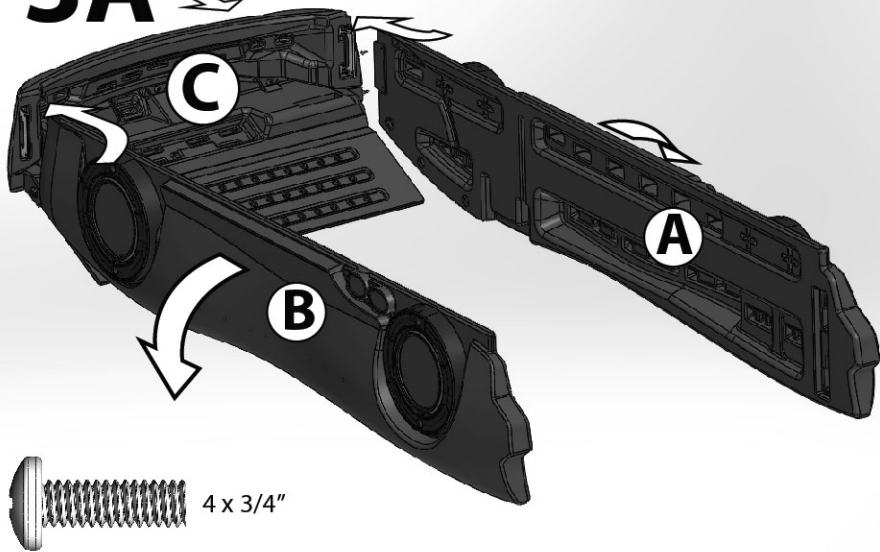




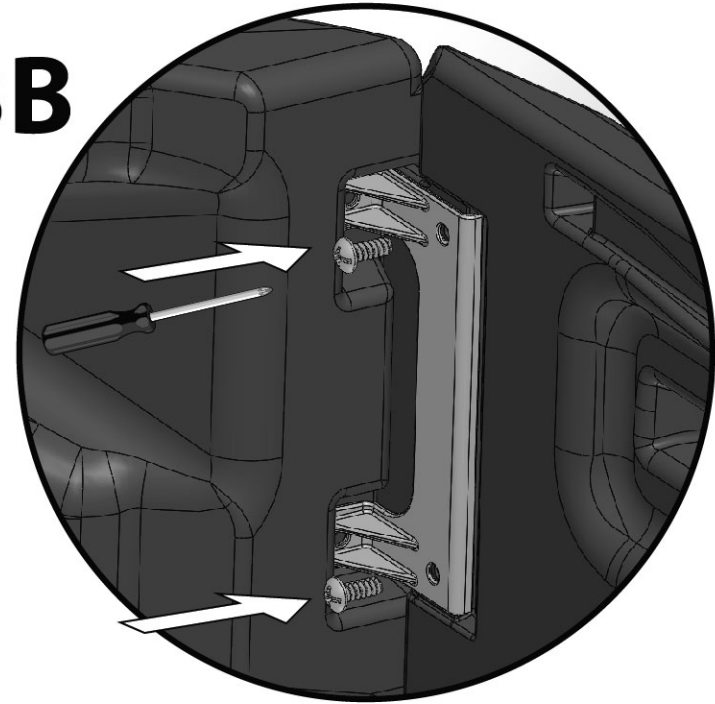


3A

• Turn both side panels and front bumper upside down to begin assembly

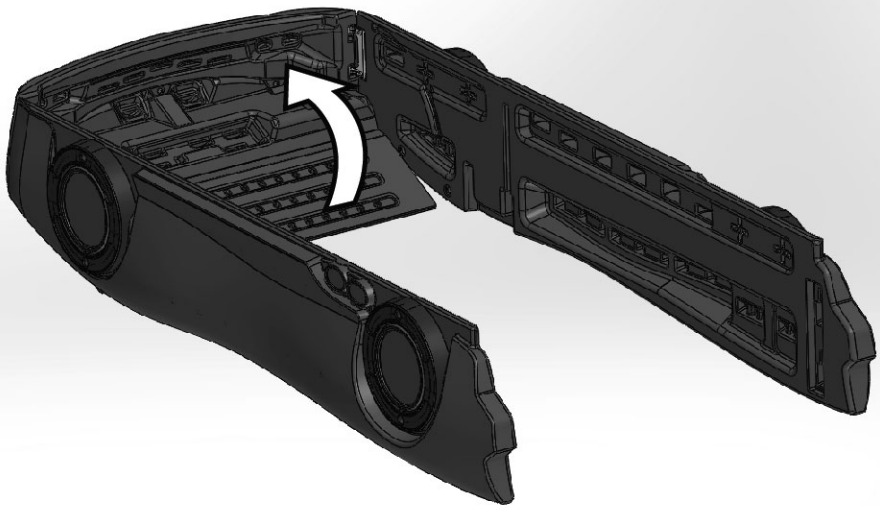


3B

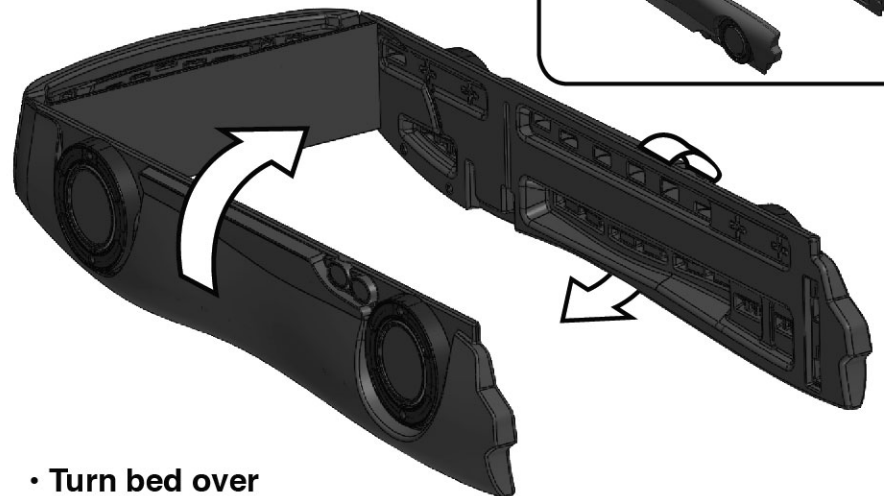


4A

• Fold cover upwards into fully locked position

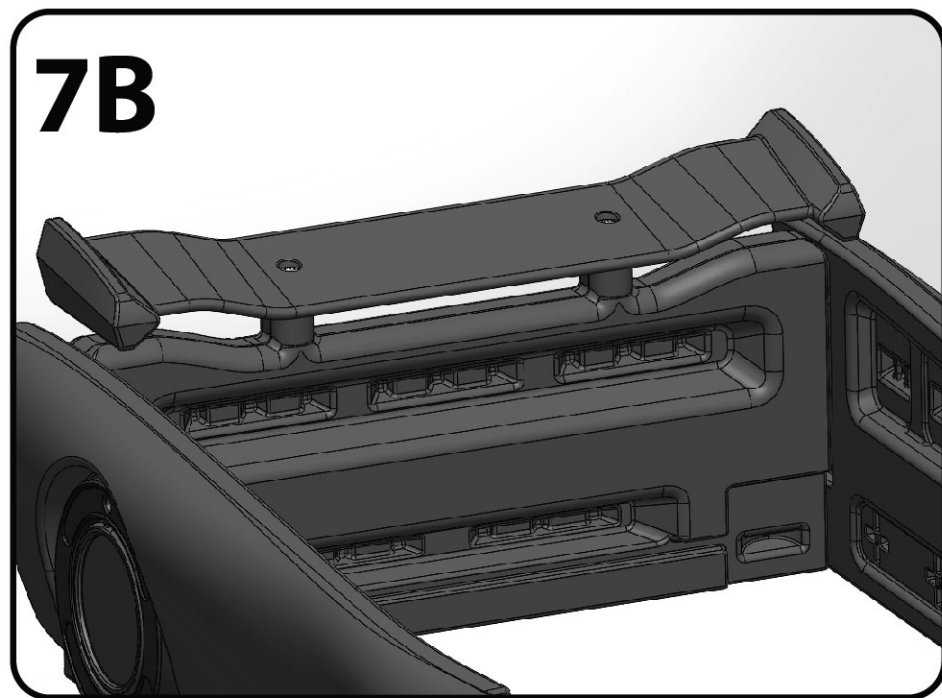
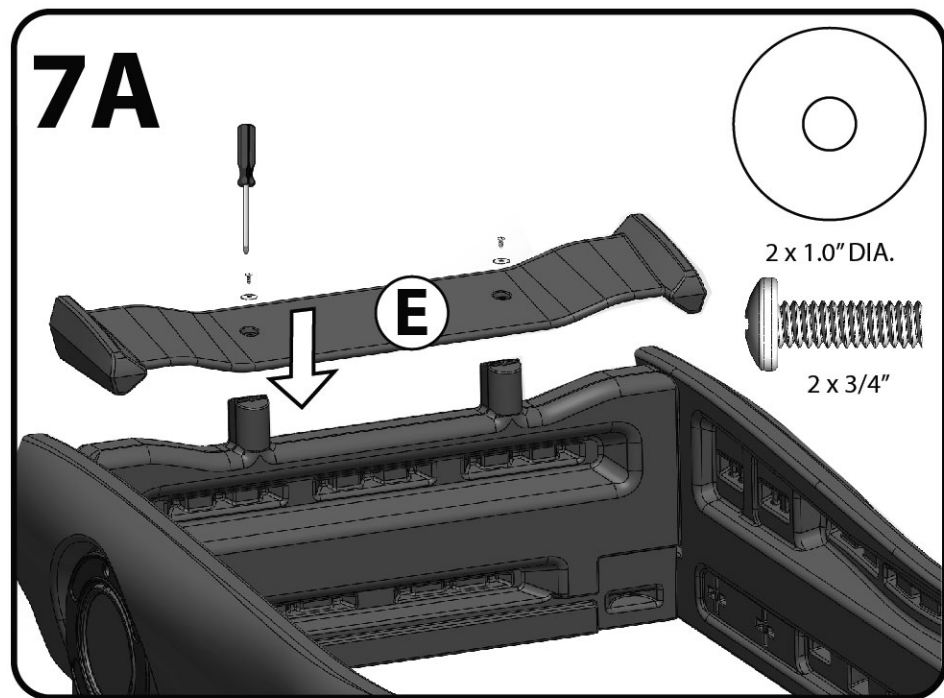
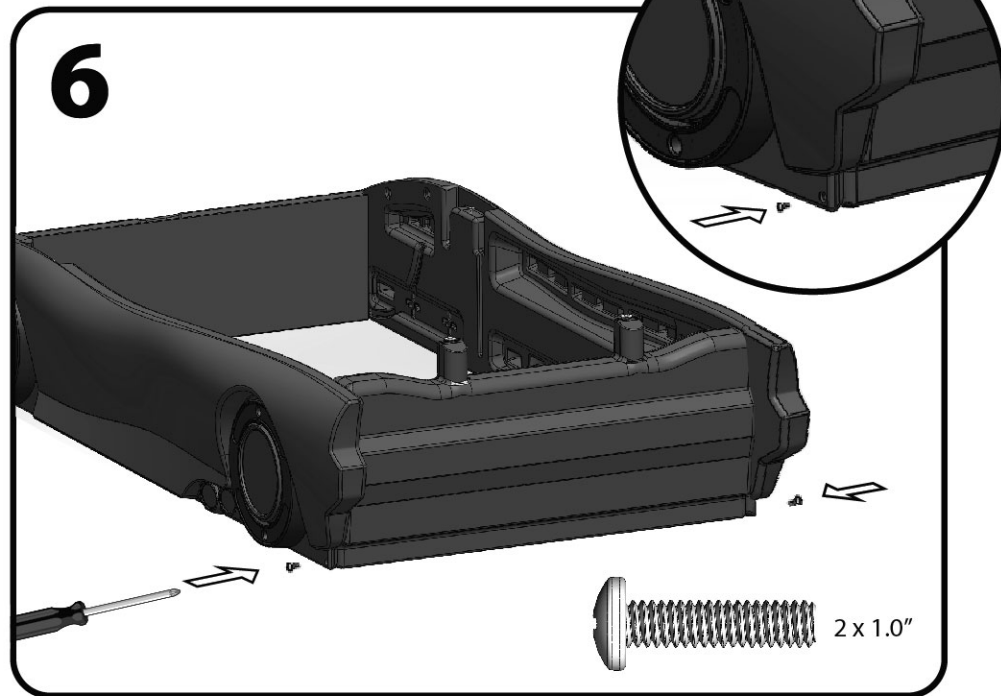
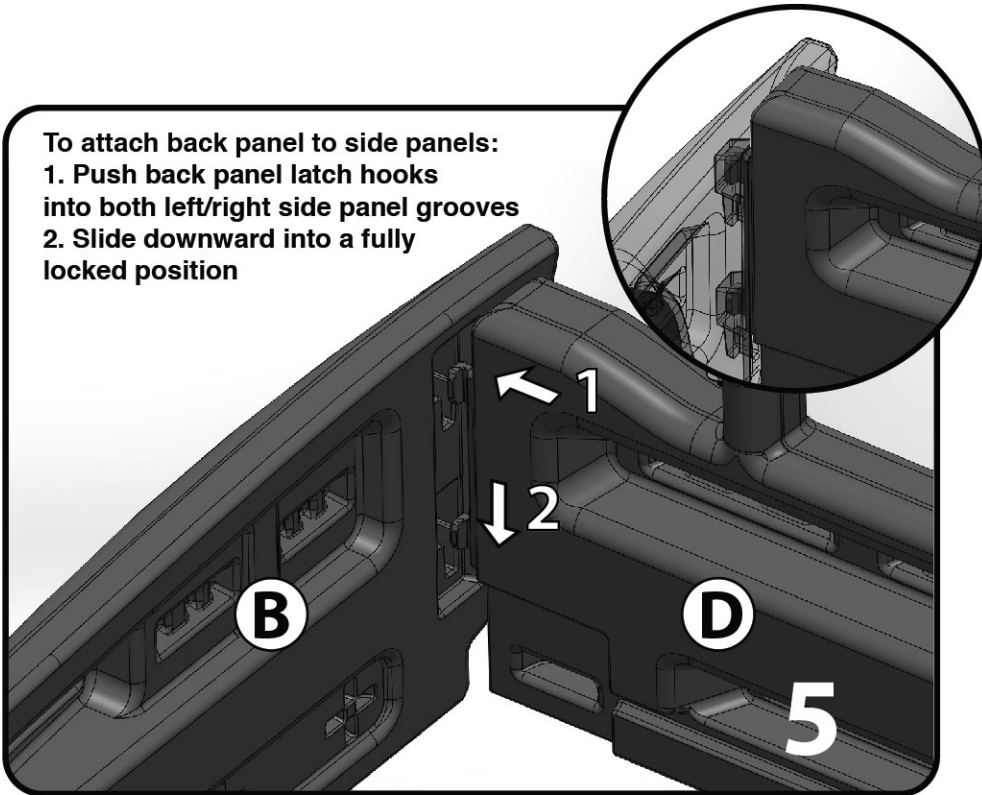


4B



• Turn bed over

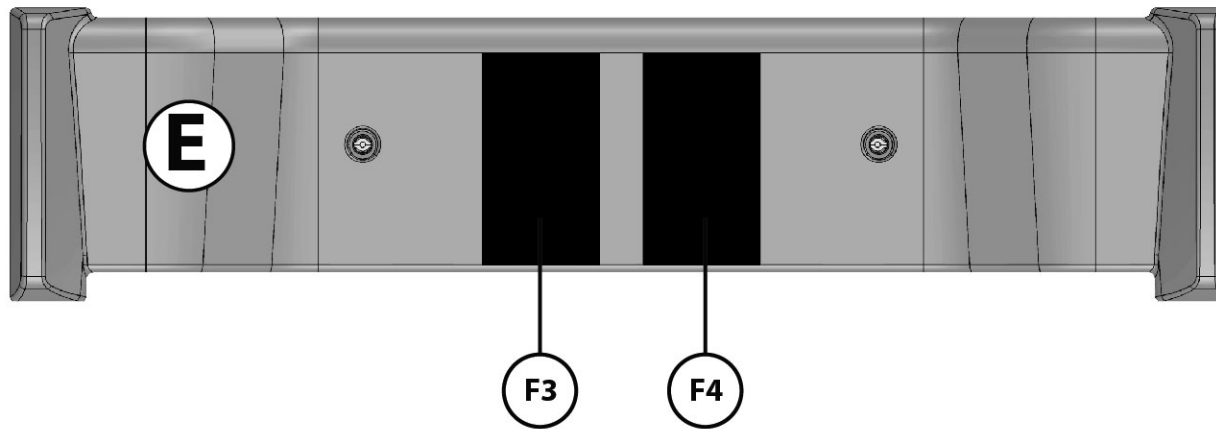
To attach back panel to side panels:
1. Push back panel latch hooks
into both left/right side panel grooves
2. Slide downward into a fully
locked position



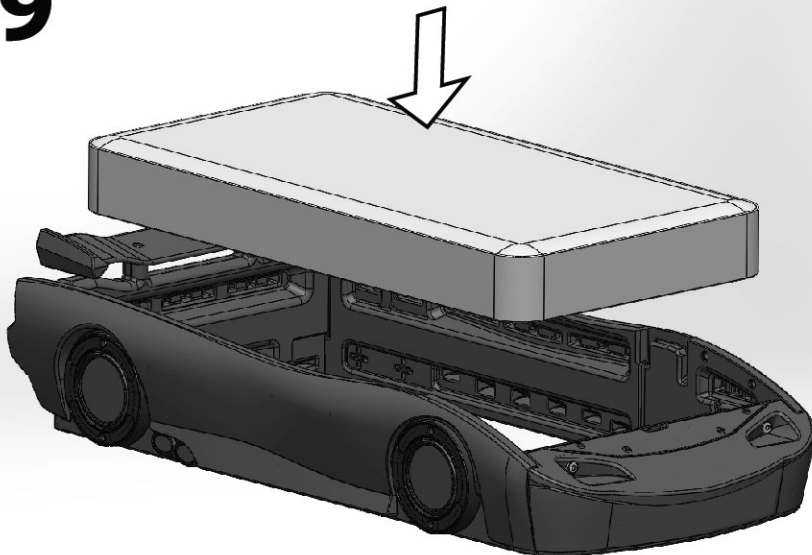
8

• APPLY “F3” STICKER AFTER SPOILER IS FULLY ASSEMBLED

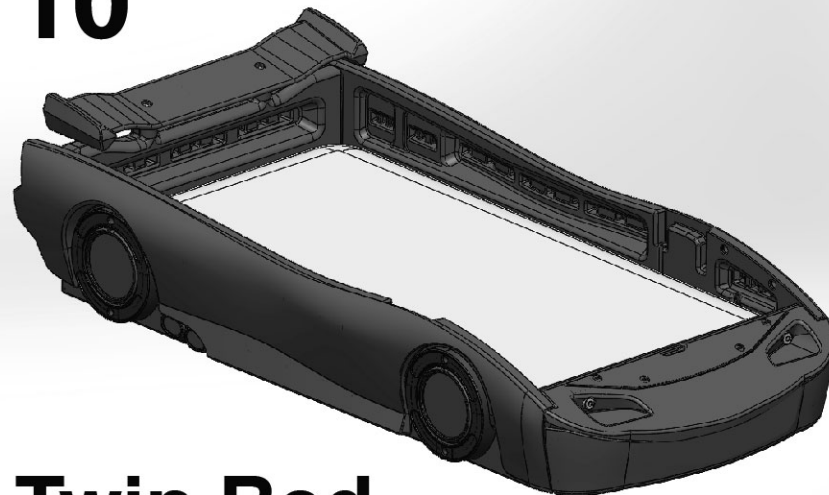
• APPLY “F4” STICKER AFTER SPOILER IS FULLY ASSEMBLED



9



10



Twin Bed

• Works with standard boxspring and twin mattress

TWIN BED

WARNING:

THIS ITEM REQUIRES ASSEMBLY BY AN ADULT BECAUSE OF SMALL PARTS. CARE SHOULD BE TAKEN IN UNPACKING AND ASSEMBLY OF THIS PRODUCT. NEVER USE THE TWIN BED CONFIGURATION WITH CHILDREN YOUNGER THAN 2 YEARS OLD. INFANTS WHO CANNOT GET IN AND OUT OF A TWIN BED WITHOUT HELP CAN BE TRAPPED IN GAPS FORMED BETWEEN THE MATTRESS AND THE WALL OR PARTS OF THE BED AND SUFFOCATE.

DELTA CHILDREN'S PRODUCTS
114 WEST 26TH STREET
NEW YORK, N.Y. 10001 U.S.A.
PHONE: (212) 645-9033

MANUFACTURED AND DISTRIBUTED BY
DELTA CHILDREN'S PRODUCTS
NEW YORK, NY 10001
MADE IN U.S.A