

babyGap

DELUXE EXPLORER WAGON

INSTRUCTION MANUAL

ADULT ASSEMBLY REQUIRED
STYLES AND COLORS MAY VARY

62010



**▲ WARNING:
CHOKING HAZARD**

Adult assembly required because of small parts. Keep assembly parts out of reach of children under 3 years.

Read all instructions BEFORE assembly and USE of product
KEEP INSTRUCTIONS FOR FUTURE USE.

Customer Experience Center
email: gcs@DeltaChildren.com

DELTA♥CHILDREN

www.DeltaChildren.com

DCP-IM08192022-F1

WARNING

WARNING: Please follow all of these instructions to ensure the safety of your child. Keep these instructions for future reference.

WARNING: Failure to follow these instructions could result in serious injury or death.

WARNING: Avoid serious injury from falling or sliding out. Always ensure that the child is properly positioned by using the safety harness according to these instructions.

WARNING: Never leave children unattended.

WARNING: INJURY HAZARD: Do not use the shade flaps during high wind conditions. Product may become unstable and tip-over causing injury to occupants.

CAUTION: This is a double occupant stroller wagon for two children only. The use of more than two children may cause an unstable condition which can injure your child. Do not place parcels, diaper bags or accessory items on sides of wagon or handles as this can cause an unstable condition.

- The maximum weight that can be carried in the wagon is 110 lbs combined. Any additional weight will cause a hazardous unstable condition.
- Use of the wagon with children weighing more than 55 pounds (24.92 kg) or over 42 inches (106.7 cm) tall, may cause a hazardous unstable condition to the wagon.
- **ALWAYS** lift wagon from handlebars when going over curbs.
- **ALWAYS** remove canopy before folding.
- **ALWAYS** lock brakes when adding and removing children from wagon, or when parked.
- **NEVER** allow children to play with this product.
- **NEVER** allow children to play in or around the wagon. This wagon is not a toy.
- **NEVER** use the wagon on stairways, escalators, or moving walkways.
- **NEVER** use the wagon in conjunction with bicycles, skateboards, roller skates, or in-line skates.
- **NEVER** use on unstable or uneven terrain.
- **NEVER** put child inside wagon when using wagon as storage for other items.
- **NEVER** use second seat for child when using the infant car seat adapter.
- **NEVER** use near open flames or other sources of heat.
- **NEVER** sit on top rail or canopy, doing so may cause a hazardous unstable condition.
- **NEVER** install mattresses or similar items for use in wagon. Doing so may cause a hazardous unstable condition.
- **NEVER** allow children to stand up or place arms and legs outside of wagon while moving.
- **NEVER** leave wagon on sloped surface even if brakes are engaged.
- We recommend that the child occupant needs to be 6 months of age, at the minimum, before use of the wagon. **NOTE:** With the use of infant car seat adapter, the minimum age is newborn and up.

CARE AND MAINTENANCE

- To clean the wagon use a mild household soap with warm water on a sponge or clean cloth.
- Check your wagon for loose screws, worn parts, torn material or stitching on a regular basis. Replace or repair parts as needed.
- Discontinue use of wagon if it should become damaged or malfunctions. Please contact our customer service email at gcs@DeltaChildren.com to arrange for repair or obtain replacement parts.
- If you experience any difficulty with assembly, missing parts or use, please **DO NOT** return this item to the store. Retail stores are unable to properly assist you. Contact our Customer Service Department directly for assistance gcs@DeltaChildren.com

DELTA CHILDREN

LIMITED MANUFACTURER WARRANTY

This Delta product is warranted to be free from defects for a period of 90 days from the date of purchase under normal use. This warranty extends only to the original retail purchaser and is valid only when supplied with proof of purchase, or if received as a gift, when the registration is on file with Delta. This limited manufacturer warranty does not cover the following:

- Products purchased as floor models or samples.
- Items purchased on an “as-is” basis, as a second hand product, or as a resale product.
- Items purchased at a Final sale, a “Going out of Business” sale, or a Liquidation sale.

TO REGISTER YOUR PRODUCT for important safety alerts and updates to your product please visit www.deltachildren.com

TO REPORT A PROBLEM, please log on to www.deltachildren.com and click the Consumer Care Tab, or contact us by email at gcs@DeltaChildren.com

Date of Purchase: _____ (you should also keep your receipt)

EXTENDED WARRANTY

DON'T MISS YOUR CHANCE TO BE COVERED FOR ALL OF LIFES MISHAPS!

With Delta's Extended Warranty, you're covered for mechanical failure from normal use or if your item stops working due to normal wear and tear, plus all those unexpected surprises.

2 YEARS OF PROTECTION

For Additional Information:

Simply visit our Website, register your product, and add the Extended Warranty

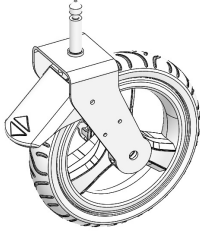
<https://www.deltachildren.com/pages/product-registration>

Extended Warranty only available in the following States: Arkansas, Colorado, Delaware, District of Columbia, Georgia, Idaho, Illinois, Indiana, Iowa, Kansas, Kentucky, Louisiana, Maryland, Michigan, Mississippi, Missouri, Nebraska, Nevada, New Hampshire, New York, North Carolina, North Dakota, Pennsylvania, Rhode Island, South Dakota, Tennessee, Utah, West Virginia

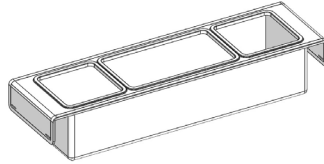
PARTS

IMPORTANT! Please remove all parts from the package and identify them before assembly.

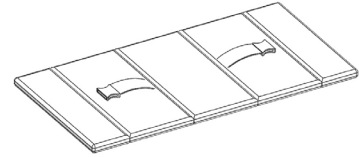
IMPORTANT! Before assembly and each use, inspect this product for damaged hardware, loose joints, missing parts, or sharp edges. **NEVER** use if any parts are missing or broken. Contact manufacturer for replacement parts and instructions if needed. **Never substitute parts. IMPORTANT!** Adult assembly is required.



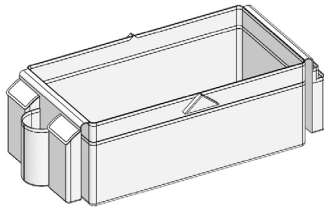
**Front Wheel (x2)
(Lock & Swivel)**



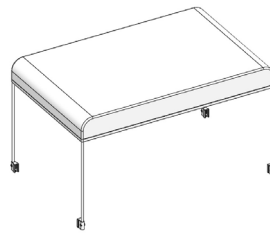
Child Tray



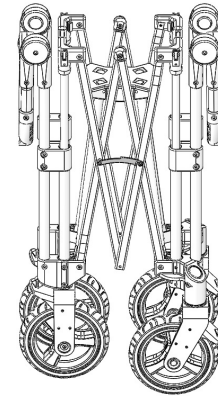
Wagon Pad



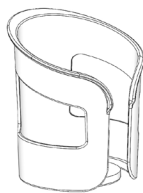
Fabric Liner



Canopy

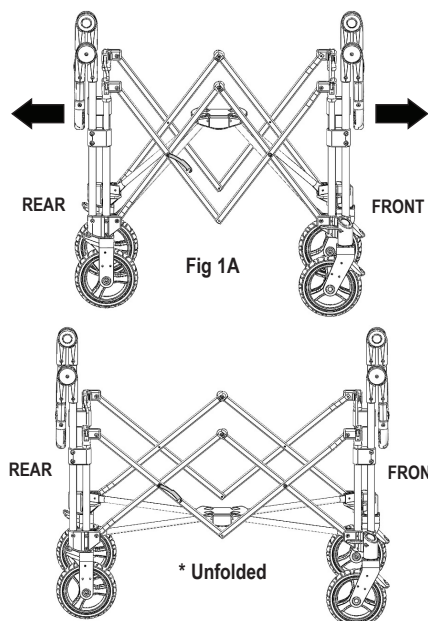
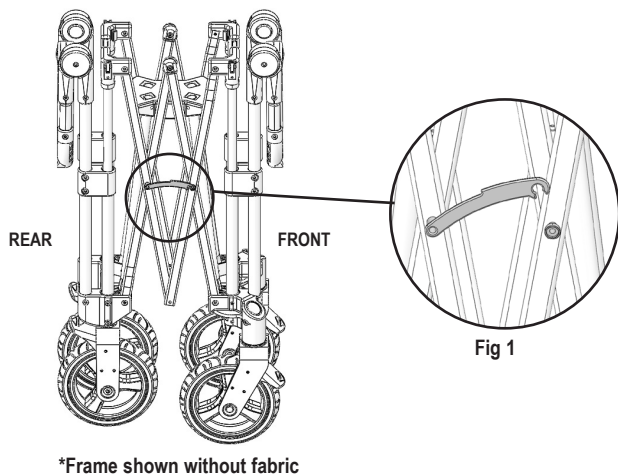


Wagon Frame



Cup Holder (x2)

ASSEMBLY

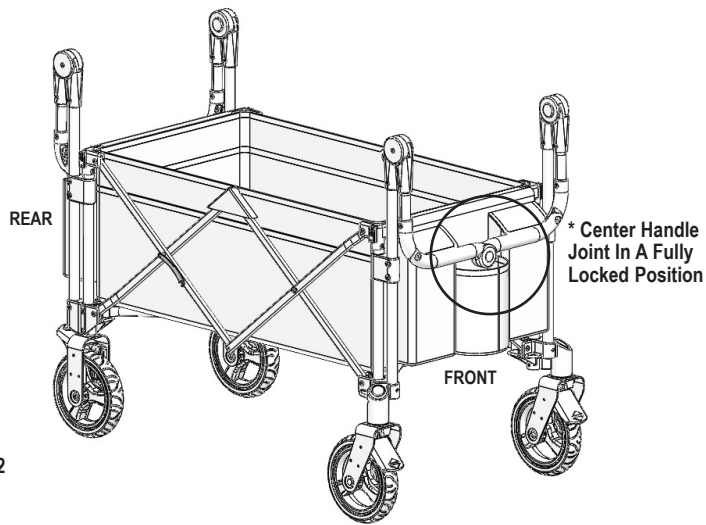
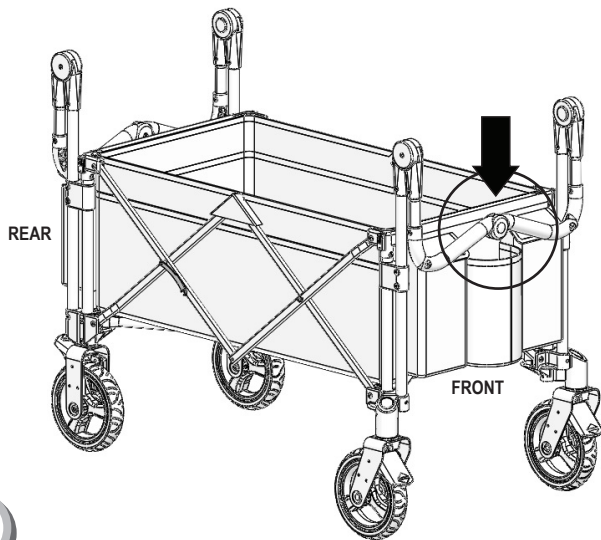


1

PREPARING WAGON

- Unfolding Wagon: Unlatch wagon by pulling latch away from latch post (Fig. 1).
- After latch is cleared, allow the wagon to unfold out, or manually pull the wagon apart (Fig. 1A)

NOTE: Fabric liner comes pre-assembled to the wagon.



2

PREPARING WAGON

- Locking Handle: When wagon is fully opened, press down on handle until center handle joint is in a fully locked position (Fig. 2).

ASSEMBLY

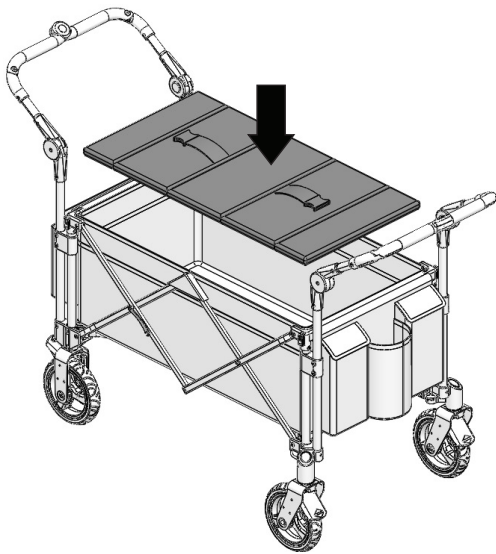
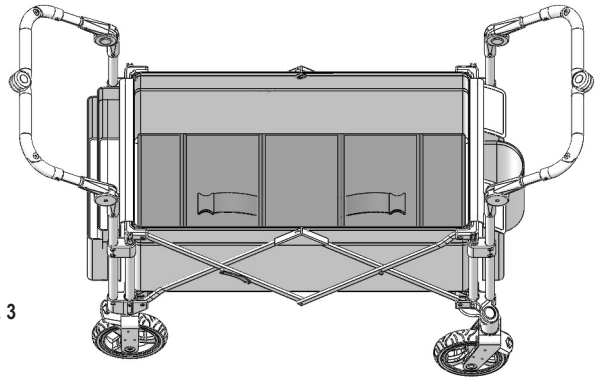


Fig. 3



3

NOTE: Center handle joint must be in a fully locked position before putting in the mattress pad

INSERTING WAGON PAD

- Attaching Wagon Pad: Open up wagon pad so that the buckles are facing upward and insert into wagon (Fig. 3).

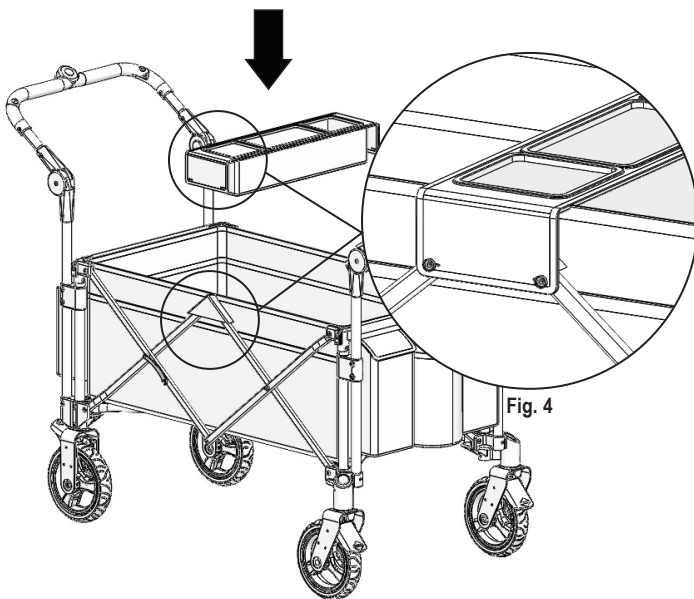
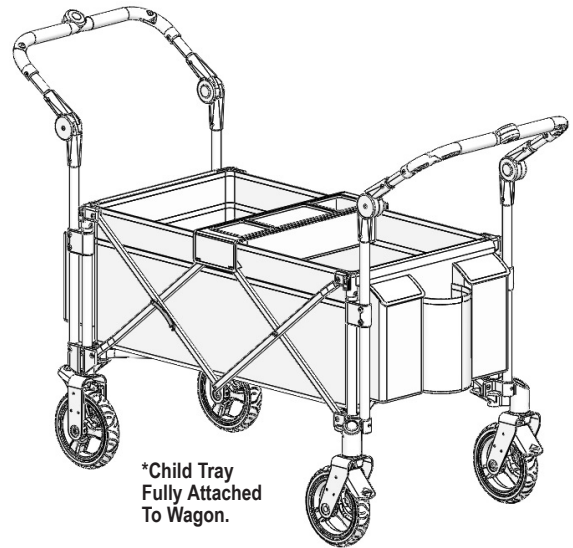


Fig. 4



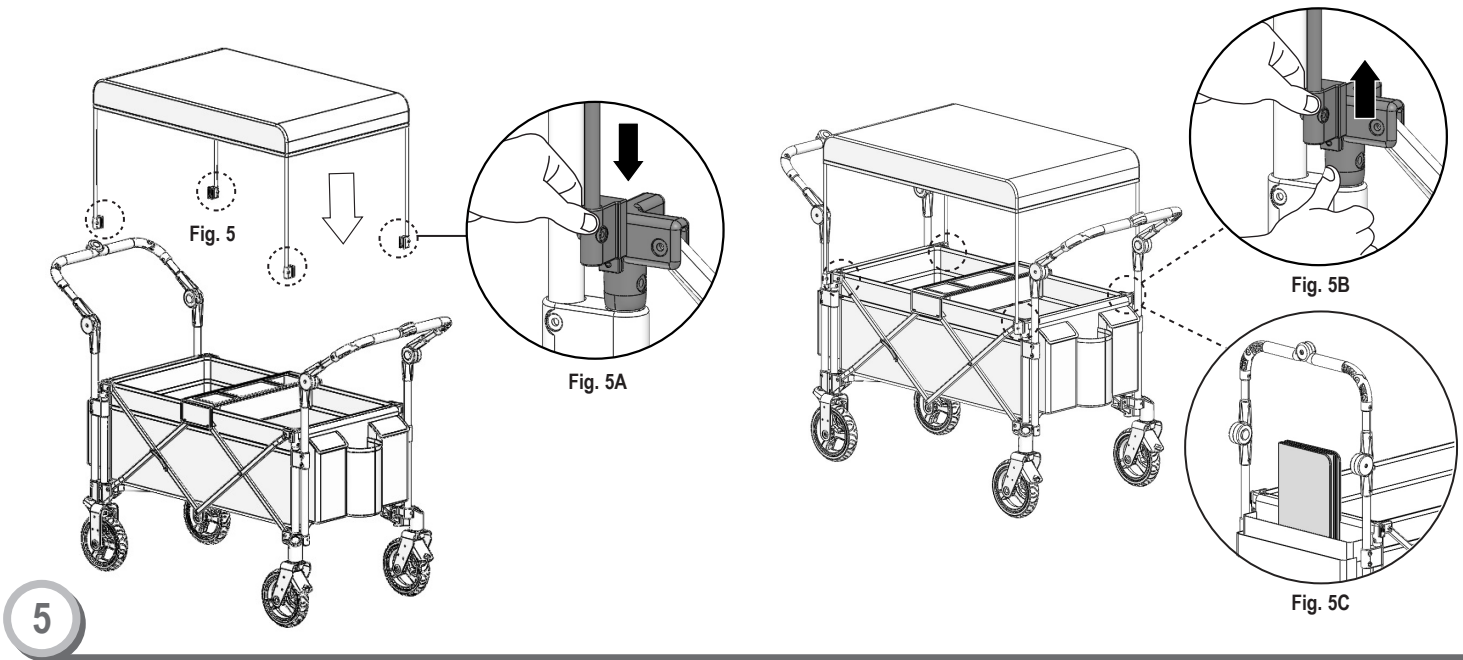
*Child Tray Fully Attached To Wagon.

4

ATTACHING CHILD TRAY

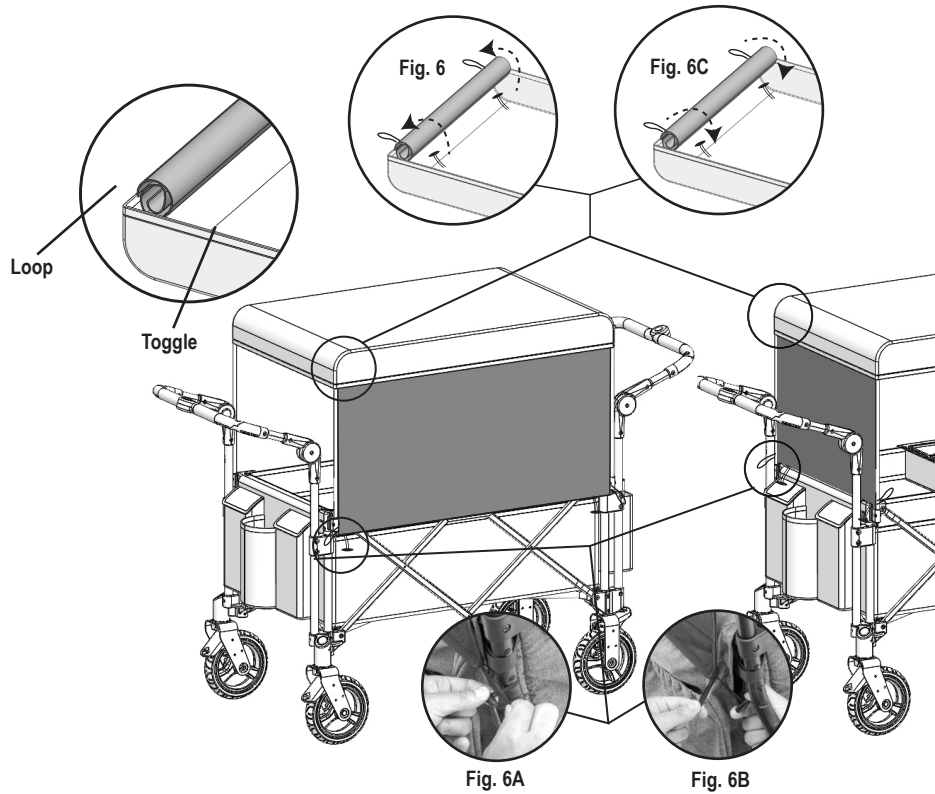
- Attaching Child Tray: Locate the child tray and insert one side to the wagon nubs so it is fastened in to place. Repeat on opposite side (Fig. 4).

ASSEMBLY



ATTACHING & REMOVING CANOPY

- Attaching Canopy: Align each of the 4 canopy rods with their corresponding posts (Fig. 5).
- Firmly insert each rod into its housing (Fig. 5A).
- Removing Canopy: Pull up on each rod until it clears the wagon frame (Fig. 5B).
- Canopy can be stored in front storage pocket (Fig. 5C)



USING SUNSHADE

- Attaching Canopy: Locate the sunshade in the storage compartment directly underneath the canopy at the sides of the wagon.
- Unfasten the toggle & loop from sunshade and roll down (Fig. 6).
- Secure sunshade around the frame of the wagon using toggle & loop (Fig. 6A).
- Storing Sunshade: Unfasten toggle & loop from frame of wagon (Fig. 6B). Roll sunshade evenly towards the top of the wagon.
- Store in the storage compartment on the inside of the canopy (Fig. 6C).

SETUP AND USE

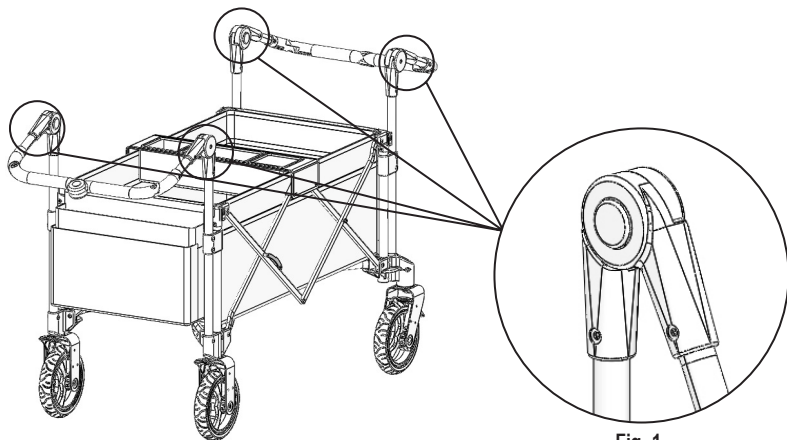


Fig. 1

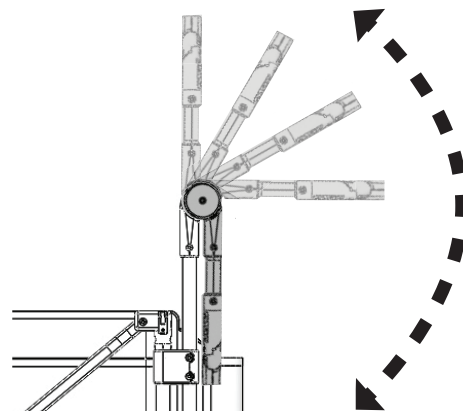


Fig. 1A

1

ADJUSTING HANDLEBARS

- Adjusting Handle: Press BOTH buttons (located on inner side of handle bar) (Fig. 1).
- With both buttons pressed, rotate the handle up or down to desired position (Fig. 1A).
- The buttons will “CLICK” on both sides once it is in a fully locked position.
- Confirm both buttons are depressed and handlebars are in a locked position before use.

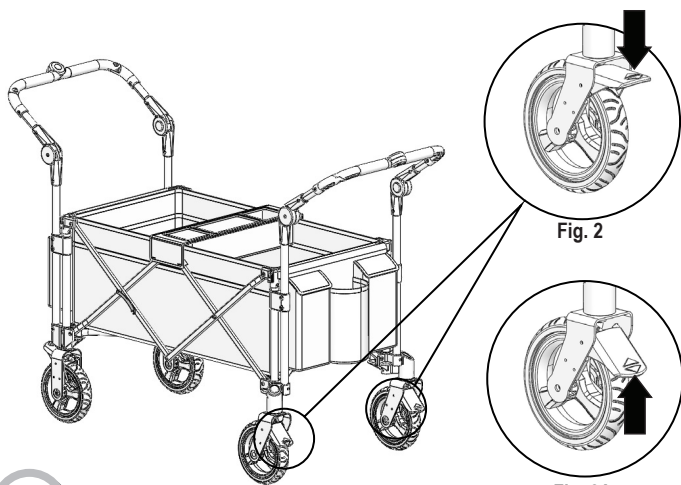


Fig. 2

Fig. 2A

2

WARNING: Always lock brakes when the wagon is not being pushed so that the wagon will not roll away. Never leave wagon unattended on a hill or incline as the wagon may slide down the hill.

WARNING: NEVER leave children unattended in wagon.

FRONT WHEEL BRAKE LOCK

- Engaging Brakes: Apply light downward pressure to the brake lever located on the front of the wheel housing (Fig. 2).
- Check to make sure the brakes are in a fully locked position, making sure stroller will not move when pushed.
- To release brakes: Gently lift the brake lever up (Fig. 2A).

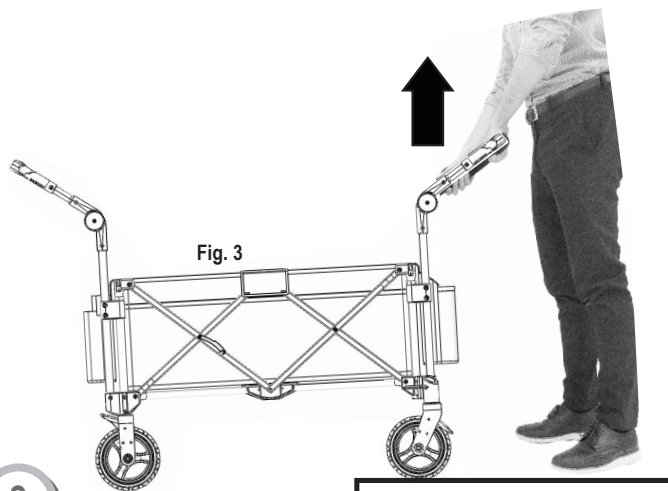


Fig. 3

CURB

3

WARNING: Please do not attempt to push down on rear handle bars to lift front wheels.

CLEARING WAGON OVER SIDEWALKS AND CURBS

- To clear wagon over sidewalks and curbs: Lift wheels using the REAR handlebars and PULL over the sidewalk or curb from a backwards position (Fig. 3).

SETUP AND USE

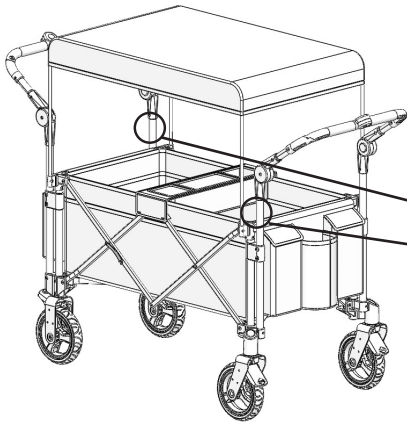


Fig. 1



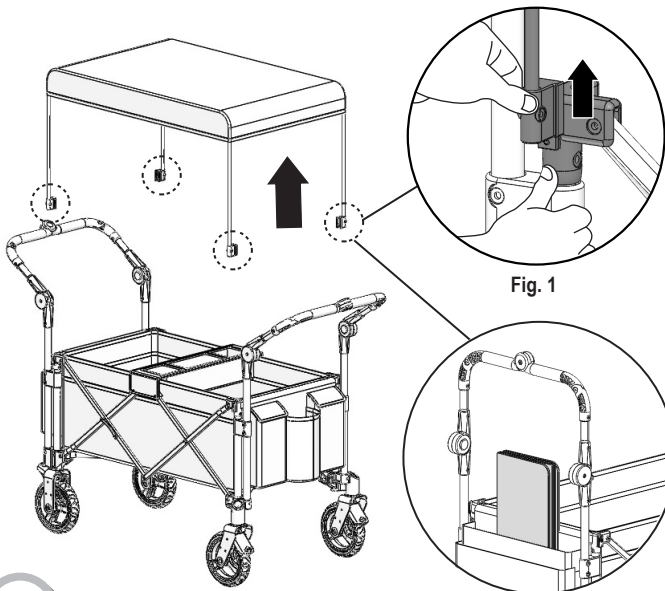
Fig. 1A

1

INSTALLING CUP HOLDER

- To install cup holder: Align clip on cup holder with frame post and apply downward pressure until it "SNAPS" into place (Fig. 1).
- To remove cup holder: Apply upwards pressure until cup holder releases from post (Fig. 1A).

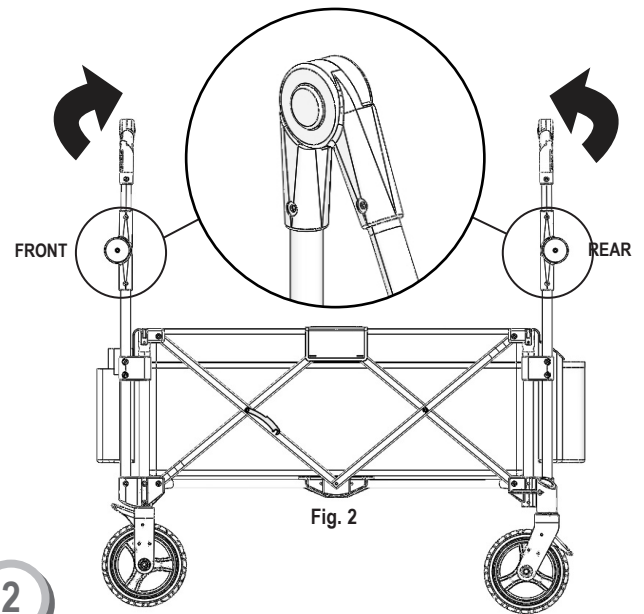
FOLDING WAGON FOR STORAGE



1

REMOVING CANOPY

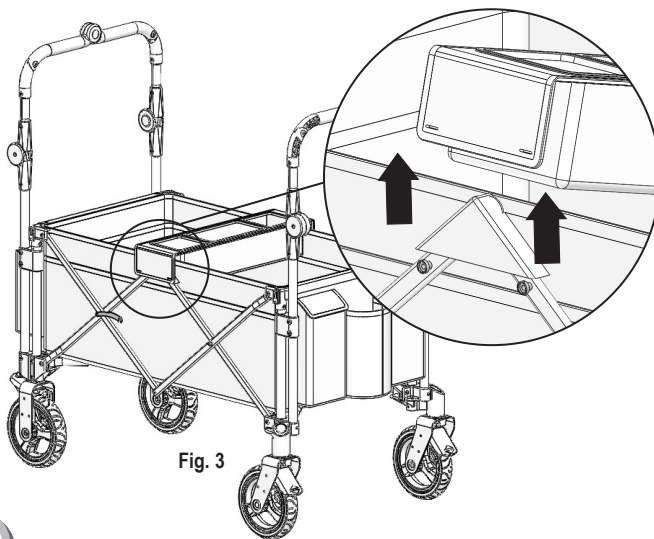
- Removing Canopy: While release tab is pressed, pull up on each rod until it clears the wagon frame (Fig. 1).
- Canopy can be stored in front storage pocket (Fig. 1A)



2

ADJUST HANDLE UPWARD

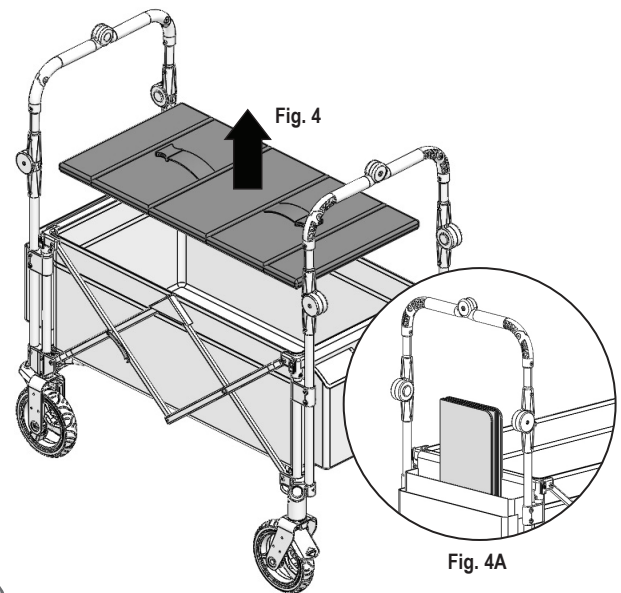
- Adjusting Handle: Press BOTH buttons (located on inner side of handle bar) and lift handle upward until in a fully upright position (Fig. 2).



3

DETACHING CHILD TRAY

- Detaching Child Tray: Locate the child tray and remove flap from the two nubs on the side of the wagon. Repeat on opposite side (Fig. 3)



4

REMOVING WAGON PAD

- Removing Wagon Pad: Unbuckle the harness from pad on both sides and remove from wagon (Fig. 4).
- Wagon pad can be stored in front storage pocket (Fig. 4A)

FOLDING WAGON FOR STORAGE

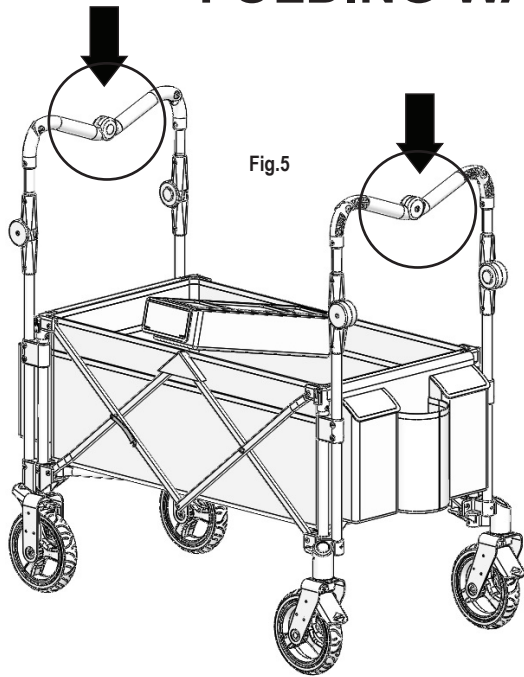


Fig.5

5

UNLOCKING HANDLE

- Unlocking Handle: Press button (located on center side of handle bar) until center handle is facing down (Fig. 5).

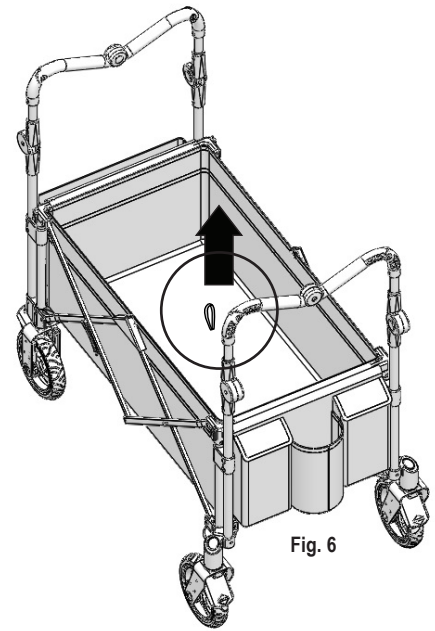


Fig. 6

6

FOLDING WAGON

- Folding Handle: Locate the loop inside of wagon and pull upward until wagons starts to fold (Fig. 6).

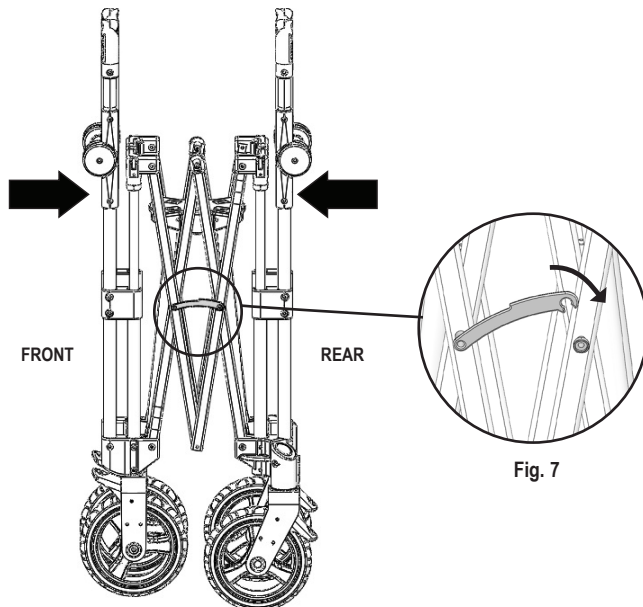


Fig. 7

*Frame shown without fabric

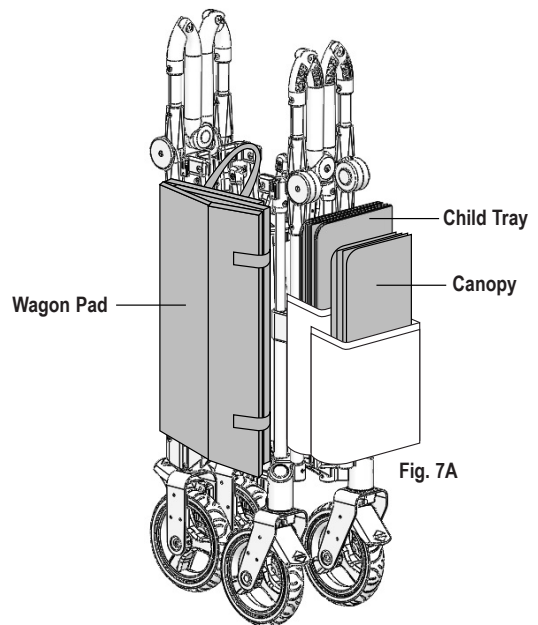


Fig. 7A

7

LOCKING WAGON

- Locking Wagon: When wagon is fully folded, locate the latch on the side wagon and lock onto the peg (Fig. 7).
- Fully folded wagon (Fig. 7A).

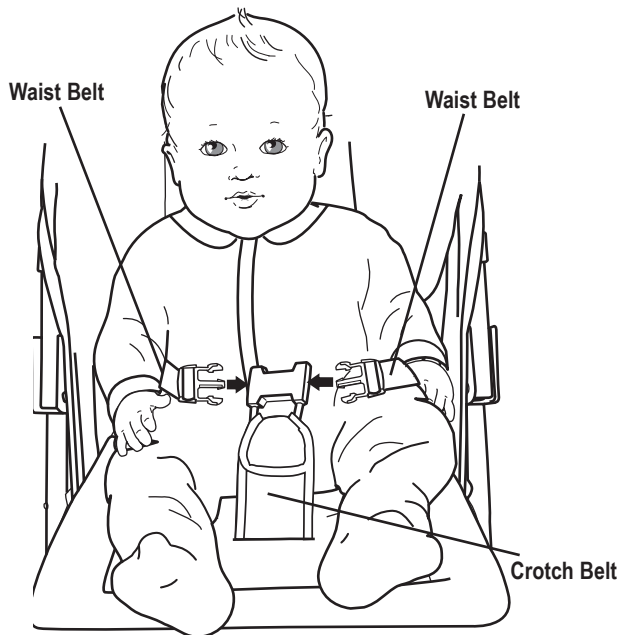
SECURING CHILD

Before Placing your Child in Stroller:

Close Canopy. Press both brake pedals down until they “click” into the lock position.

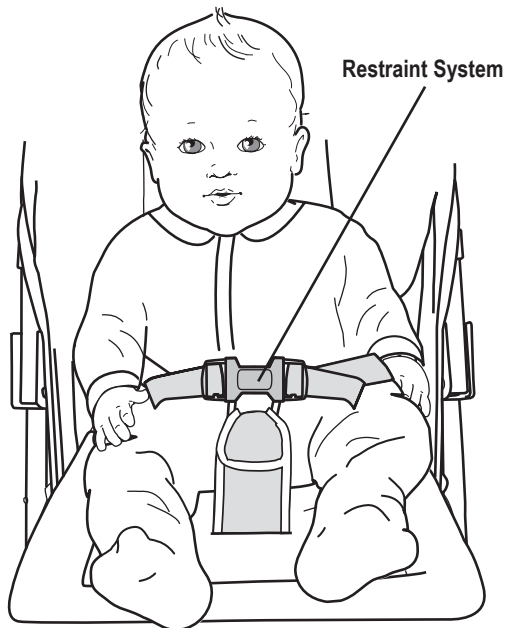
Make sure the brake pedals are pressed down completely.

Always set both brake pedals when parking the stroller.



Securing Child

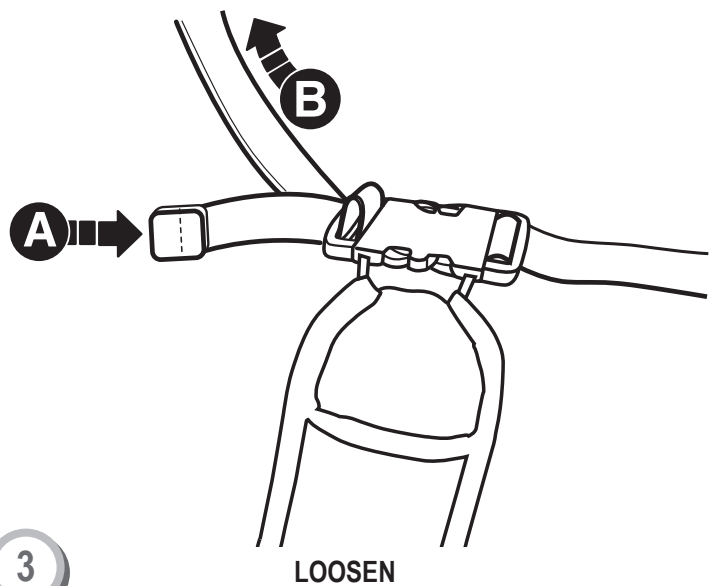
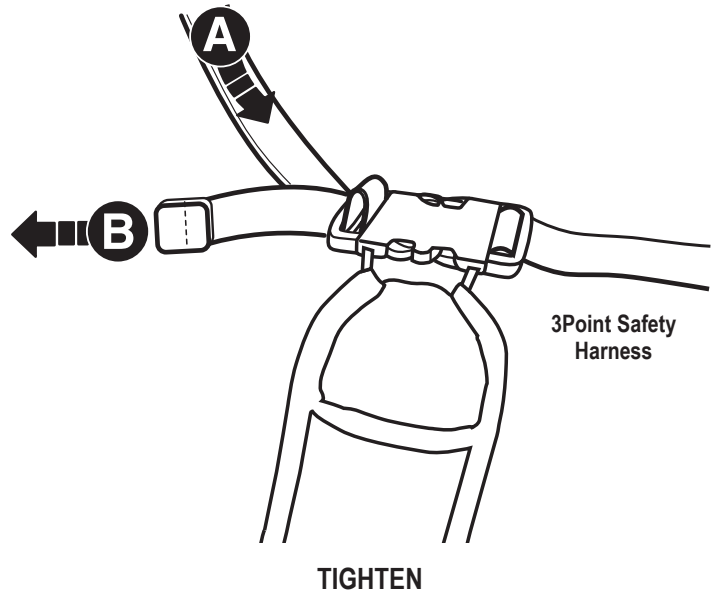
- Place your child in the stroller. Position the crotch belt between your child's legs.
- Pull shoulder straps over child's arm and shoulder and fasten both strap ends to the restraint system.
- Fasten both waist belts to the buckle on each side of the crotch belt. Make sure you hear a “click” on both sides.
- Check to be sure the restraint system is securely attached by pulling it away from your child. The restraint system should remain attached.



2

- Tighten each waist belt and shoulder strap so that the restraint system is snug against your child.

Please refer to the next section for instructions to tighten the waist belts.



To tighten the waist belts and shoulder straps:

- Feed the anchored end of a waist belt up through the buckle to form a loop **A**. Pull the free end of the waist belt **B**.
- Repeat this procedure to tighten the other waist belt.

To loosen the waist belts and shoulder straps:

- Feed the free end of the waist belt up through the buckle to form a loop **A**. Enlarge the loop by pulling on the end of the loop toward the buckle. Pull the anchored end of the waist belt to shorten the free end of the waist belt **B**.
- Repeat this procedure to loosen the other waist belt.

Please Note: After adjusting the restraint system to fit your child, make sure you pull on it to be sure it is securely fastened.

Notes

DELTA♥CHILDREN

Delta Children's Products Corp.
114 West 26th Street
New York, NY 10001
gcs@DeltaChildren.com
www.DeltaChildren.com

follow us



@deltachildren