

# Jeep®

by DELTA CHILDREN

# SPORT ALL-TERRAIN® STROLLER WAGON

## INSTRUCTION MANUAL

ADULT ASSEMBLY REQUIRED  
STYLES AND COLORS MAY VARY

### 60009



**▲ WARNING:  
CHOKING HAZARD**

Adult assembly required because of small parts. Keep assembly parts out of reach of children under 3 years.

Read all instructions BEFORE assembly and USE of product  
KEEP INSTRUCTIONS FOR FUTURE USE.

Customer Experience Center  
email: [gcs@DeltaChildren.com](mailto:gcs@DeltaChildren.com)

DELTA♥CHILDREN

[www.DeltaChildren.com](http://www.DeltaChildren.com)

DCP-IM-01092023-V1

## **WARNING**

**WARNING:** Please follow all of these instructions to ensure the safety of your child. Keep these instructions for future reference.

**WARNING:** Failure to follow these instructions could result in serious injury or death.

**WARNING:** Avoid serious injury from falling or sliding out. Always ensure that the child is properly positioned by using the safety harness according to these instructions.

**WARNING:** Never leave children unattended.

**WARNING:** INJURY HAZARD: Do not use the shade flaps during high wind conditions. Product may become unstable and tip-over causing injury to occupants.

**CAUTION:** This is a double occupant stroller wagon for two children only. The use of more than two children may cause an unstable condition which can injure your child. Do not place parcels, diaper bags or accessory items on sides of wagon or handles as this can cause an unstable condition.

- The maximum weight that can be carried in rear & front storage bag is 6 pounds (2.7kg) each.
- The maximum weight that can be carried in the wagon is 100 lbs (45.36 kg) combined. Any additional weight will cause a hazardous unstable condition.
- Use of the wagon with children weighing more than 50 pounds (22.67 kg) or over 42 inches (106.7 cm) tall, may cause a hazardous unstable condition to the wagon.
- **ALWAYS** lift wagon from handlebar when going over curbs.
- **ALWAYS** remove canopies before folding.
- **ALWAYS** lock brakes when adding and removing children from wagon, or when parked.
- **NEVER** allow children to play with this product.
- **NEVER** allow children to play in or around the wagon. This wagon is not a toy.
- **NEVER** use the wagon on stairways, escalators, or moving walkways.
- **NEVER** use the wagon in conjunction with bicycles, skateboards, roller skates, or in-line skates.
- **NEVER** use on unstable or uneven terrain.
- **NEVER** put child inside wagon when using wagon as storage for other items.
- **NEVER** use near open flames or other sources of heat.
- **NEVER** sit on top rail or canopy, doing so may cause a hazardous unstable condition.
- **NEVER** install mattresses or similar items for use in wagon. Doing so may cause a hazardous unstable condition.
- **NEVER** allow children to stand up or place arms and legs outside of wagon while moving.
- **NEVER** leave wagon on sloped surface even if brakes are engaged.
- We recommend that the child occupant needs to be 9 months of age, at the minimum, before use of the wagon.

## **CARE AND MAINTENANCE**

- To clean the wagon use a mild household soap with warm water on a sponge or clean cloth.
- Check your wagon for loose screws, worn parts, torn material or stitching on a regular basis. Replace or repair parts as needed.
- Discontinue use of wagon if it should become damaged or malfunctions. Please contact our customer service email at [gcs@DeltaChildren.com](mailto:gcs@DeltaChildren.com) to arrange for repair or obtain replacement parts.
- If you experience any difficulty with assembly, missing parts or use, please DO NOT return this item to the store. Retail stores are unable to properly assist you. Contact our Customer Service Department directly for assistance [gcs@DeltaChildren.com](mailto:gcs@DeltaChildren.com)

# DELTA CHILDREN

## LIMITED MANUFACTURER WARRANTY

This Delta product is warranted to be free from defects for a period of 90 days from the date of purchase under normal use. This warranty extends only to the original retail purchaser and is valid only when supplied with proof of purchase, or if received as a gift, when the registration is on file with Delta. This limited manufacturer warranty does not cover the following:

- Products purchased as floor models or samples.
- Items purchased on an “as-is” basis, as a second hand product, or as a resale product.
- Items purchased at a Final sale, a “Going out of Business” sale, or a Liquidation sale.

**TO REGISTER YOUR PRODUCT** for important safety alerts and updates to your product please visit [www.deltachildren.com](http://www.deltachildren.com)

**TO REPORT A PROBLEM**, please log on to [www.deltachildren.com](http://www.deltachildren.com) and click the Consumer Care Tab, or contact us by email at [gcs@DeltaChildren.com](mailto:gcs@DeltaChildren.com).

Date of Purchase: \_\_\_\_\_ (you should also keep your receipt)

## EXTENDED WARRANTY

**DON'T MISS YOUR CHANCE TO BE COVERED FOR ALL OF LIFES MISHAPS!**

With Delta's Extended Warranty, you're covered for mechanical failure from normal use or if your item stops working due to normal wear and tear, plus all those unexpected surprises.

## YEARS OF PROTECTION

**For Additional Information:**

**Simply visit our Website, register your product, and add the Extended Warranty**

**<https://www.deltachildren.com/pages/product-registration>**

Extended Warranty only available in the following States: Arkansas, Colorado, Delaware, District of Columbia, Georgia, Idaho, Illinois, Indiana, Iowa, Kansas, Kentucky, Louisiana, Maryland, Michigan, Mississippi, Missouri, Nebraska, Nevada, New Hampshire, New York, North Carolina, North Dakota, Pennsylvania, Rhode Island, South Dakota, Tennessee, Utah, West Virginia

# PARTS

**IMPORTANT!** Please remove all parts from the package and identify them before assembly.

**IMPORTANT!** Before assembly and each use, inspect this product for damaged hardware, loose joints, missing parts, or sharp edges. NEVER use if any parts are missing or broken. Contact manufacturer for replacement parts and instructions if needed. Never substitute parts. **IMPORTANT!** Adult assembly is required.



Rear Wheel  
(x2)



Front Wheel (x2)



Canopy



Rear Wheel  
Axle



Cup Holder



Wagon Frame  
\*Shown folded  
without fabric



Fabric Liner  
(Folded)



Leatherette  
Handlebar Cover



Child Tray



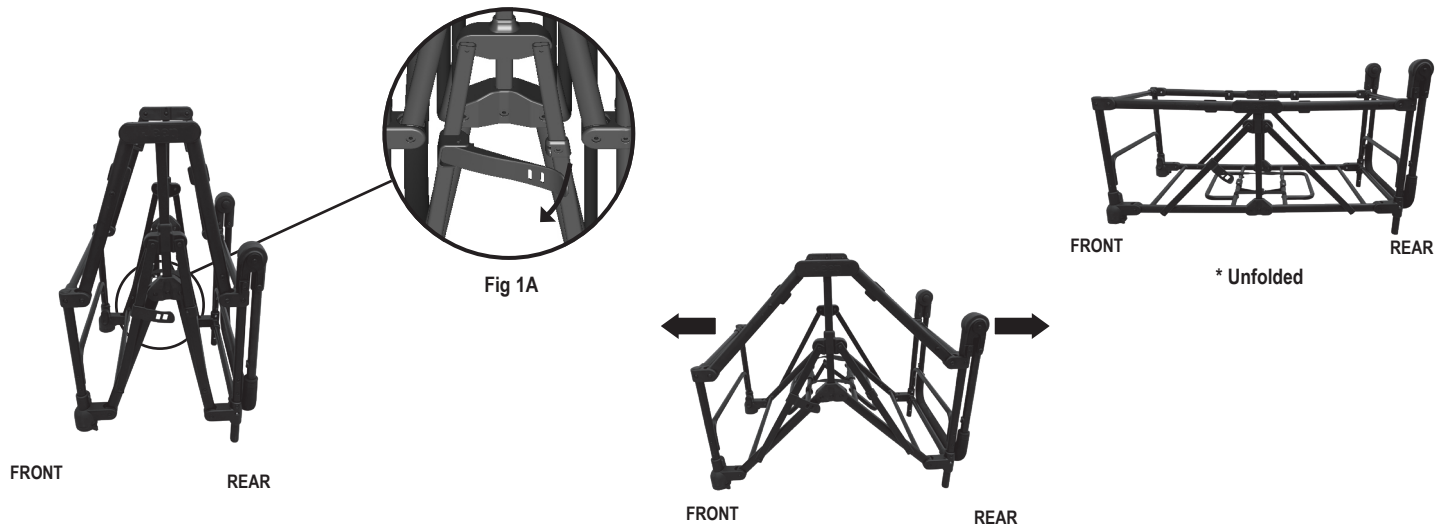
Parent Organizer



Parent Organizer  
Attachment Clip (x2)

\*Frame shown without fabric

# ASSEMBLY



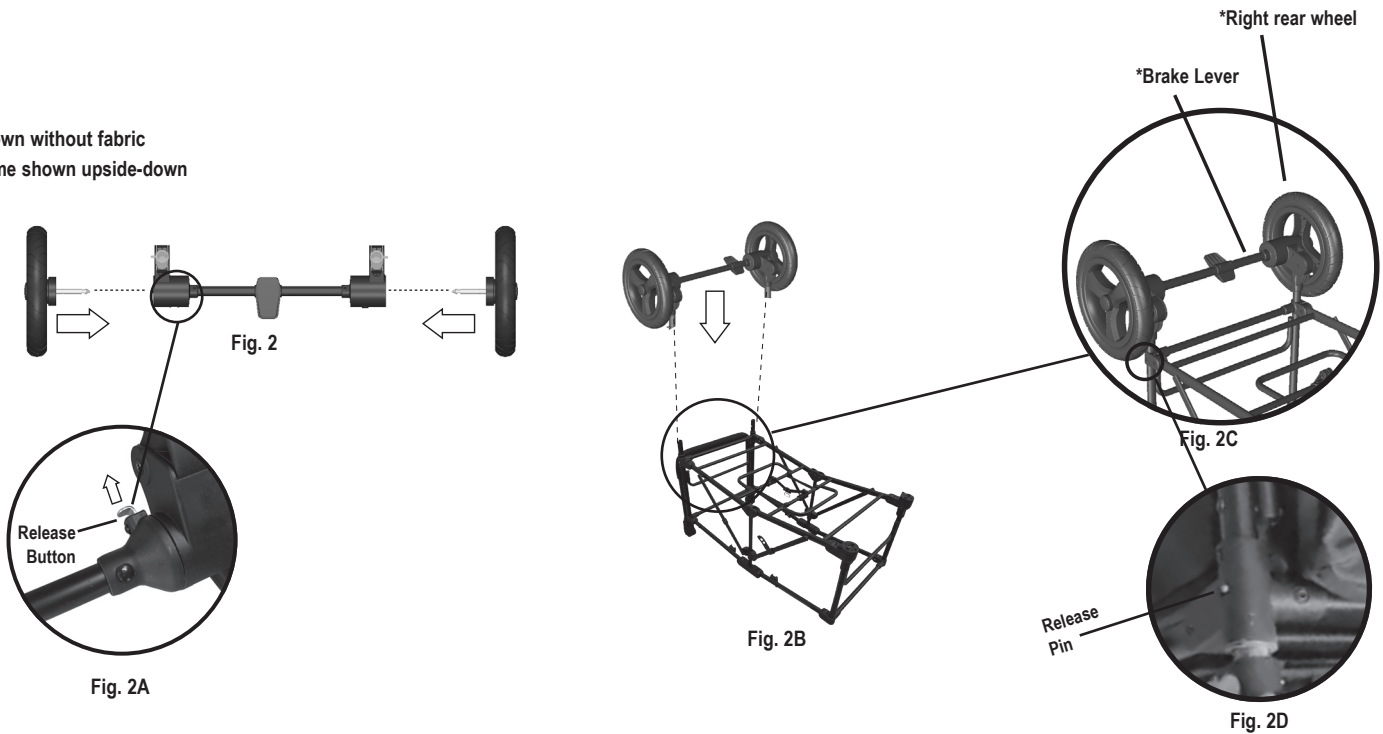
1

## PREPARING WAGON

- Unfolding wagon: Unlatch wagon by pulling latch away from latch post (Fig. 1A).
- After latch is cleared, allow the wagon to unfold out, or manually pull the wagon apart (Fig. 1B)

\*Frame shown without fabric

\*Wagon frame shown upside-down



2

## ATTACHING & REMOVING REAR WHEELS

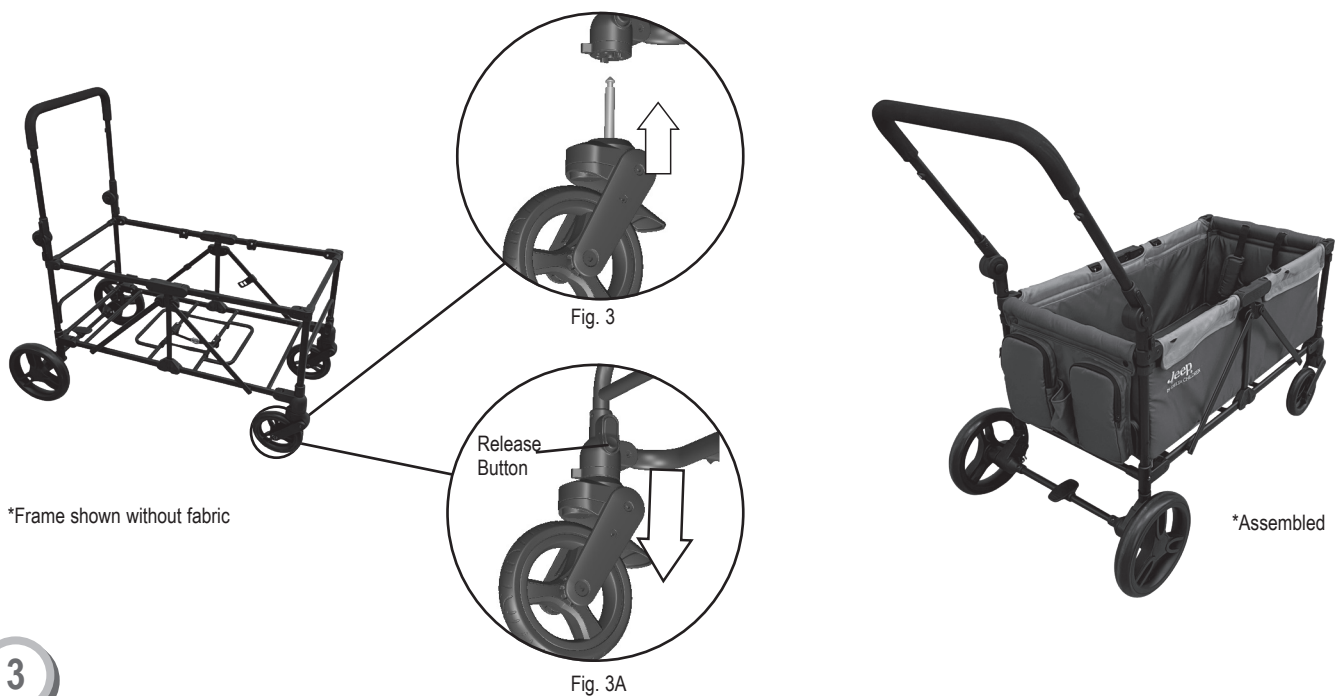
- To attach rear wheels to axle: Push each rear wheel into the axle housing as shown until they “CLICK” into a locked position (Fig. 2).
- Pull outward on wheel to ensure that the wheel is securely locked.
- To release rear wheels from axle: While pressing the release button located on the back of the wheel housing, remove wheel by pulling away from housing (Fig. 2A).

## ATTACHING & REMOVING REAR WHEEL AXLE

- To attach rear wheel axle: Align axle with frame as shown and push in until both release pins “CLICK” (Fig. 2B).  
NOTE: Make sure brake is closest to right rear wheel.
- To detach rear wheel axle: Press in release pins on both outer sides of frame, and pull away from wagon frame (Fig. 2D).



# ASSEMBLY

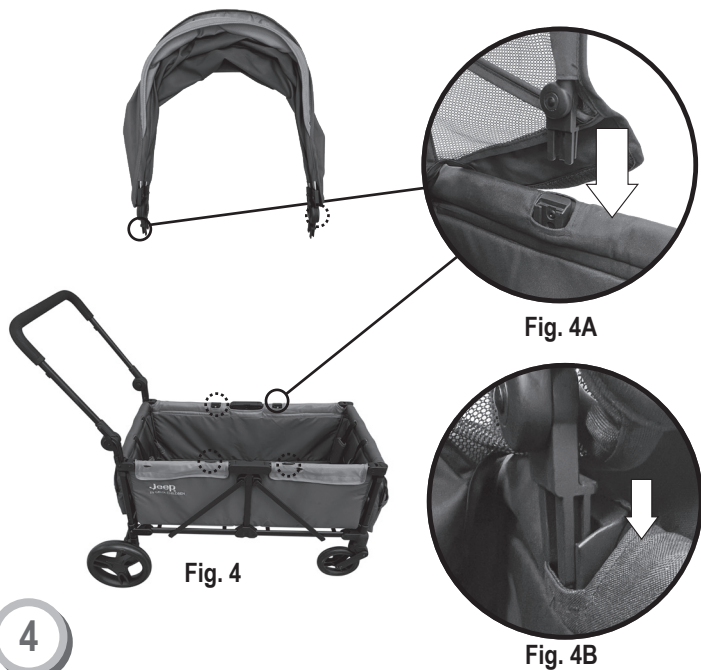


3

## ATTACHING & REMOVING FRONT WHEEL

**Note:** Before attaching wheels, make sure the wagon is in a fully open position.

- To attach front wheel: Push front wheel post into the front wheel housing until it “CLICKS” into a fully locked position. (Fig. 3)  
Note: Pull downward on wheel to ensure that the wheel is securely locked.
- To release front wheel: Press the release button located on the side of the wheel housing and pull down on wheel to release (Fig. 3A).



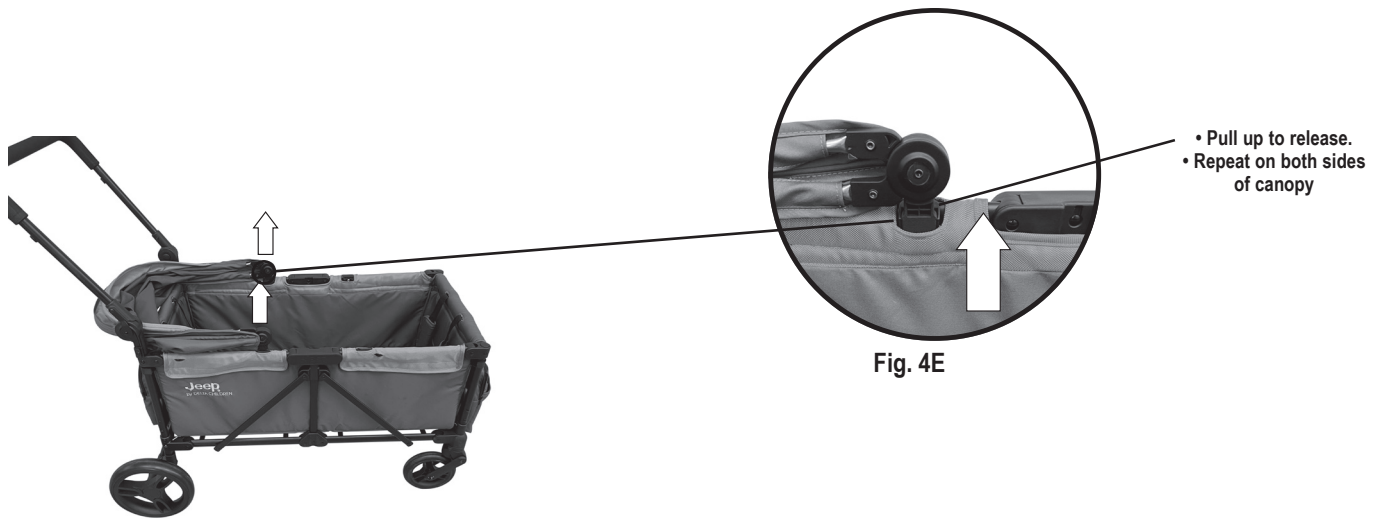
4

## ATTACHING & REMOVING CANOPY

- To attach canopy: Align each of the 2 (per canopy) canopy rods with their corresponding posts. Make sure the large velcro flap faces the short side of the wagon (Front/Back) (Fig. 4).
- Firmly insert each rod into its housing. (Fig. 4A).
- See (Fig. 4B) for detailed view of canopy post insertion.
- Once canopy rods are firmly in place, fold down and attach velcro flaps to attachment strips on wagon. Repeat on opposite side. (Fig. 4C).
- Fold down long velcro flap on back/front and attach to wagon (Fig. 4D).
- If both canopies are desired, repeat on other canopy.



# ASSEMBLY

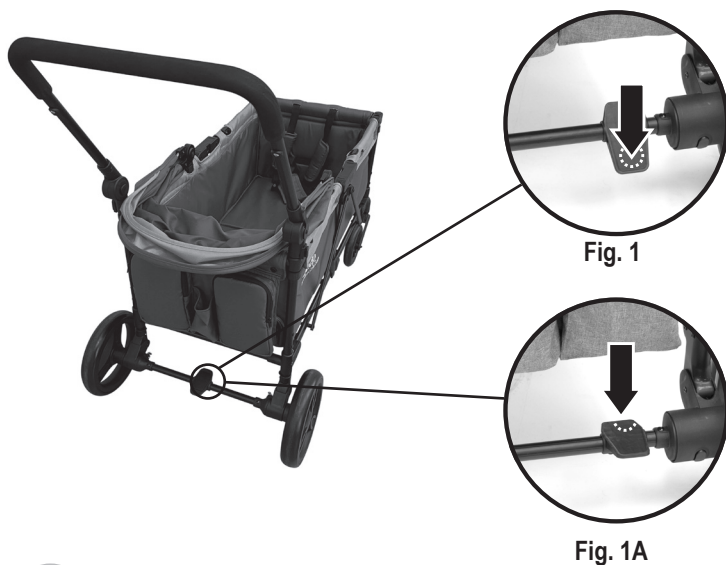


- To remove canopy: Pull up on each rod until it clears the wagon frame. Canopy can be removed in up or down position (Fig. 4E).
- Canopy can be stored in front storage pocket (Fig. 4F)

## Canopy Variations



# SETUP AND USE



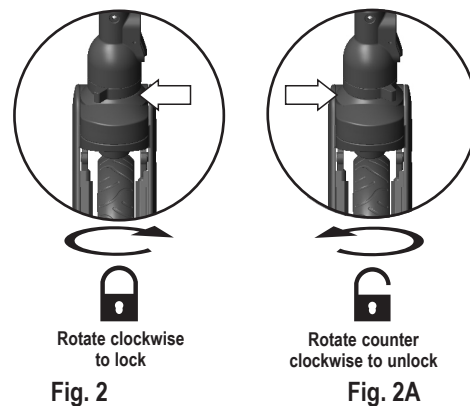
1

**WARNING:** Always lock brakes when the wagon is not being pushed so that the wagon will not roll away. Never leave wagon unattended on a hill or incline as the wagon may slide down the hill.

**WARNING:** NEVER leave children unattended in wagon.

## REAR WHEEL BRAKE LOCK

- To engage brakes: Apply light downward pressure to the FRONT of the brake lever located on the axle. (Fig. 2).
- Check to make sure the brakes are in a fully locked position, making sure stroller will not move when pushed.
- To release brakes: Apply light downward pressure to the BACK of the brake lever (Fig. 2A).

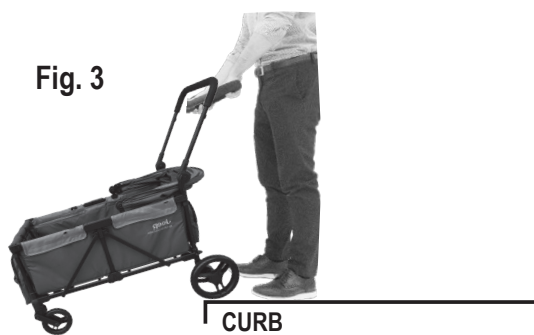


2

## FRONT WHEEL SWIVEL LOCK

- To lock the front swivel wheel lock: Rotate the lever located on the top of the front wheel housing clockwise until it “CLICKS” into a fully locked position (Fig. 2).
- To unlock the front swivel wheel lock: Rotate the lever located on the top of the front wheel housing counter clockwise until it “CLICKS” into a fully locked position (Fig. 2A).

Fig. 3



3

## CLEARING WAGON OVER SIDEWALKS AND CURBS

- To clear wagon over sidewalks and curbs: Lift wheels using the REAR handlebars and PULL over the sidewalk or curb from a backwards position (Fig. 3).

**WARNING:** Please do not attempt to push down on rear handlebars to lift front wheels.



# SETUP AND USE



Fig. 4

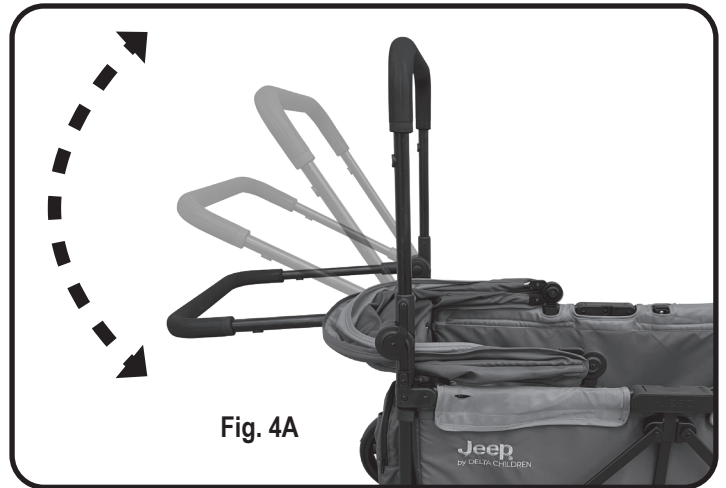


Fig. 4A

4

## ADJUSTING HANDLEBARS

- To adjust handle: Press BOTH buttons (located on the inside of both sides of the handle bar) (Fig. 4).
- With both buttons pressed, rotate the handle up or down to desired position (Fig. 4A).
- The buttons will “CLICK” on both sides once it is in a fully locked position.
- Confirm both buttons are depressed and handlebars are in a locked position before use.

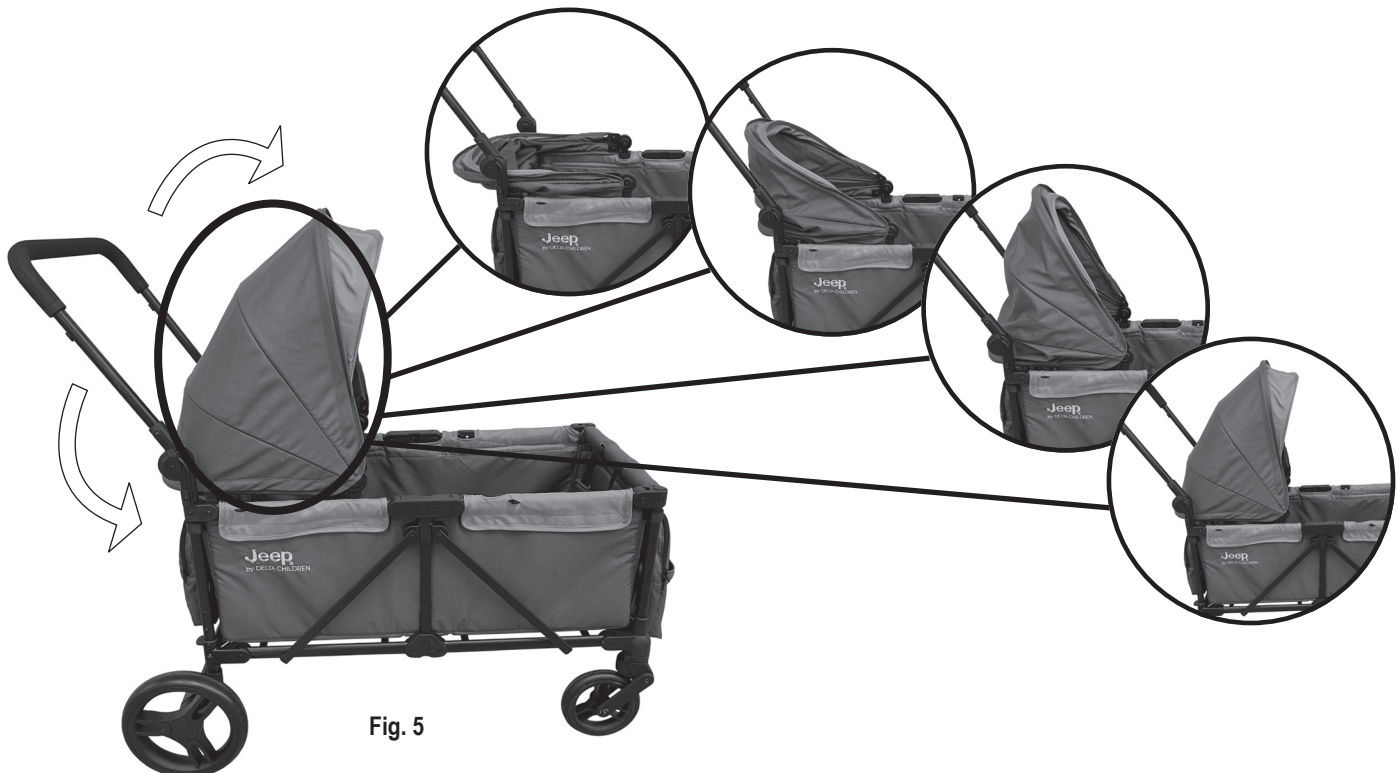


Fig. 5

5

## ADJUSTING CANOPIES

- To adjust canopies: Gently move canopies by hand, adjusting between the 4 positions shown above (Fig. 5)
- If canopies are not desired remove as shown on page 7.

# SETUP AND USE



Fig. 6A



Fig. 6B

6

## POSITIONING CUP HOLDER

**Note:** Cup holder can be positioned in one of the two posts on the wagon frame (Fig. 6).

- To install cup holder: Align clip on cup holder with frame post and apply downward pressure until it “SNAPS” into place (Fig. 6A).
- To remove cup holder: Apply upwards pressure until cup holder releases from post (Fig. 6B).

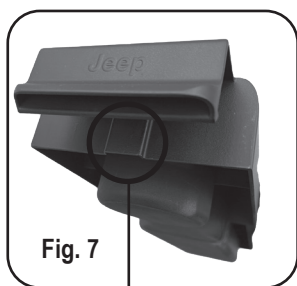


Fig. 7

NOTCH



Fig. 7A



Fig. 7C



Fig. 7B



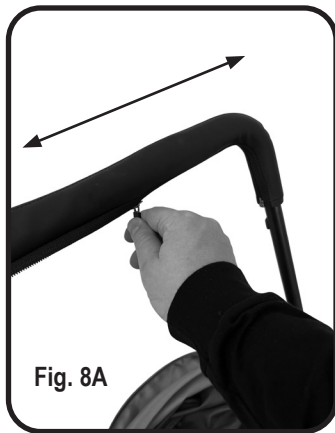
Fig. 7D

7

## INSTALLING CHILD TRAY

- Locate both the notch on the Child Tray (Fig. 7) as well as the opening on the middle plastic joint of the wagon frame (Fig. 7A).
- Align the notch on the Child Tray with the opening on the frame joint. (Fig. 7B. Insert notches into open and press down firmly until tray snaps into place.
- To remove Tray, grab both sides of the tray where shown above in (Fig. 7C)
- Gently the sides away from the wagon slightly and lift upward.(Fig. 7D)

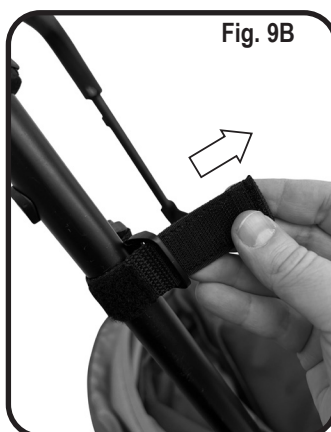
# SETUP AND USE



8

## HANDLE COVER

- The handle cover can be removed for cleaning and convenience.
- Undo the zipper on the handle cover to remove (Fig 8A)



9

## Attaching Parent Organizer

- Attach the Parent Organizer Attachment Clips to the wagon frame.
- Start by looping the strap around the frame (Fig 9A.) and through the plastic clip. (Fig 9B)
- Wrap the excess portion of the strap around the frame, attaching the velcro (Fig. 9C)
- Snap the Attachment Clips into the fasteners found on the Parent Organizer bag (Fig 9D.- 9E.)

# SETUP AND USE

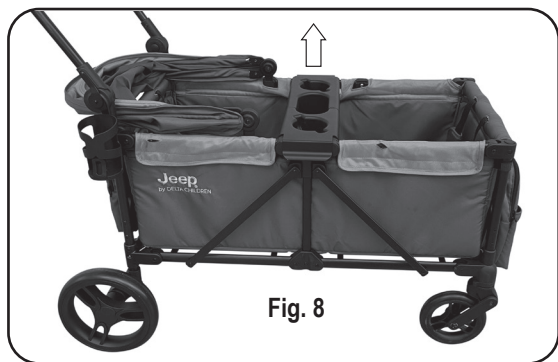


Fig. 8

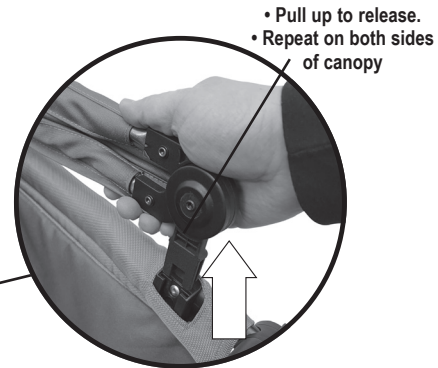


Fig. 8B



Fig. 8A

8

## FOLDING WAGON FOR STORAGE

- **NOTE:** Stroller wagon can be folded with or without the canopies installed.
- To fold with canopies installed, remove child tray, fold both canopies all the way down (Fig. 8) and proceed to step 9 below
- If canopies are installed: Uninstall by pulling up on each rod until it clears the wagon frame (Fig. 8A).



Fig. 9



Fig. 9A

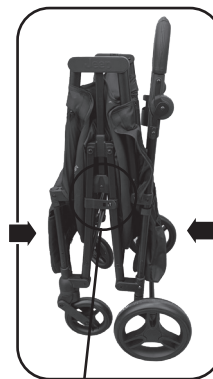


Fig. 9B



9

- To fold wagon frame: Locate handle in center of wagon seat pad (Fig. 9) and pull upward until wagon frame begins to fold (Fig. 9A).
- To finish the fold, apply pressure inwards until wagon is fully closed and auto latch "CLICKS" (Fig. 9B).
- Pull outwards on wagon to confirm latch is secured.



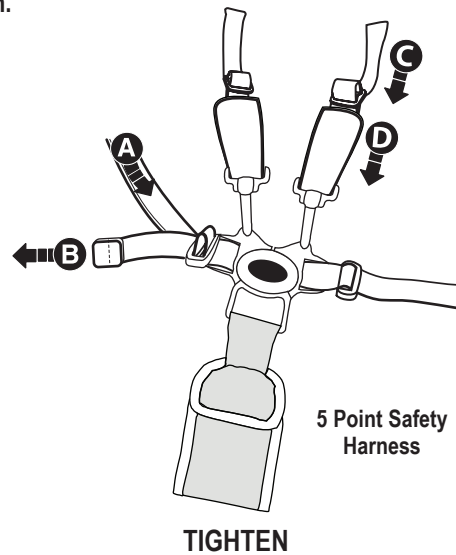
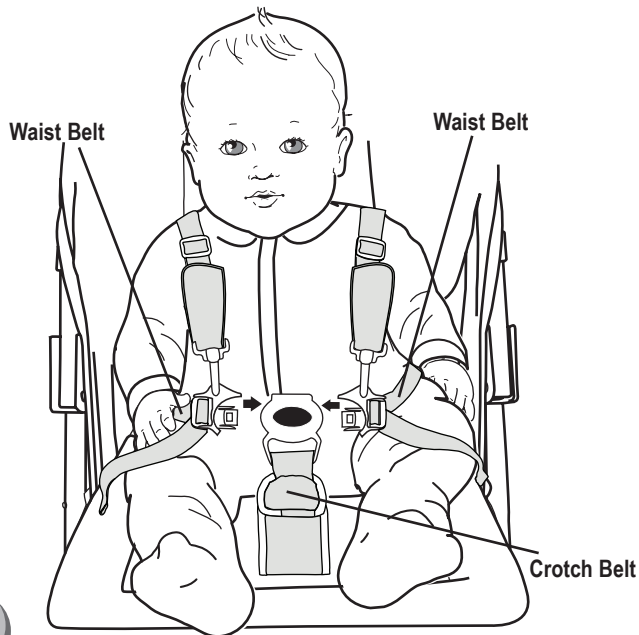
# SECURING CHILD

## Before Placing your Child in Stroller:

Close Canopy. Press both brake pedals down until they “click” into the lock position.

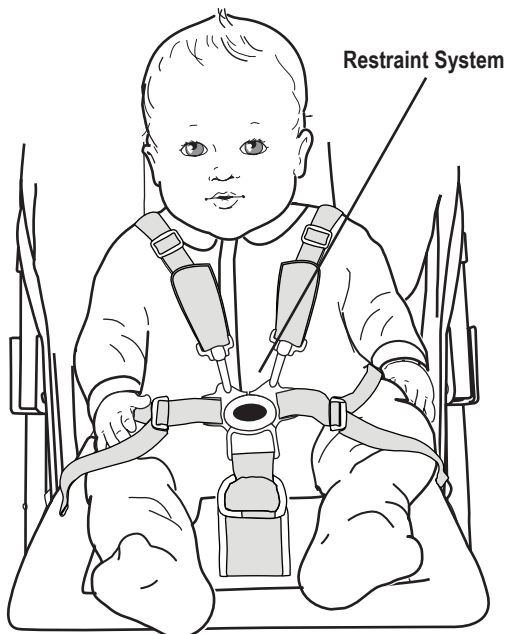
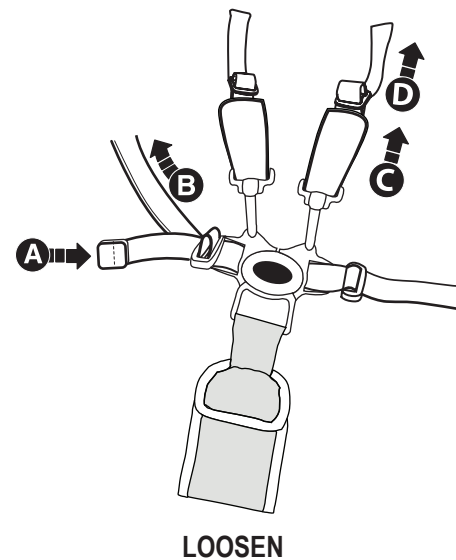
Make sure the brake pedals are pressed down completely.

Always set both brake pedals when parking the stroller.



## Securing Child

- Place your child in the stroller. Position the crotch belt between your child’s legs.
- Pull shoulder straps over child’s arm and shoulder and fasten both strap ends to the restraint system.
- Fasten both waist belts to the buckle on each side of the crotch belt. Make sure you hear a “click” on both sides.
- Check to be sure the restraint system is securely attached by pulling it away from your child. The restraint system should remain attached.



- Tighten each waist belt and shoulder strap so that the restraint system is snug against your child.

Please refer to the next section for instructions to tighten the waist belts.

3

To tighten the waist belts and shoulder straps:

- Feed the anchored end of a waist belt up through the buckle to form a loop **A**. Pull the free end of the waist belt **B**.
- Repeat this procedure to tighten the other waist belt.
- Feed the top end of the shoulder strap through the plastic stay to form a loop **C**. Pull the bottom end down to tighten the strap **D**.
- Repeat this procedure to tighten the other shoulder strap.

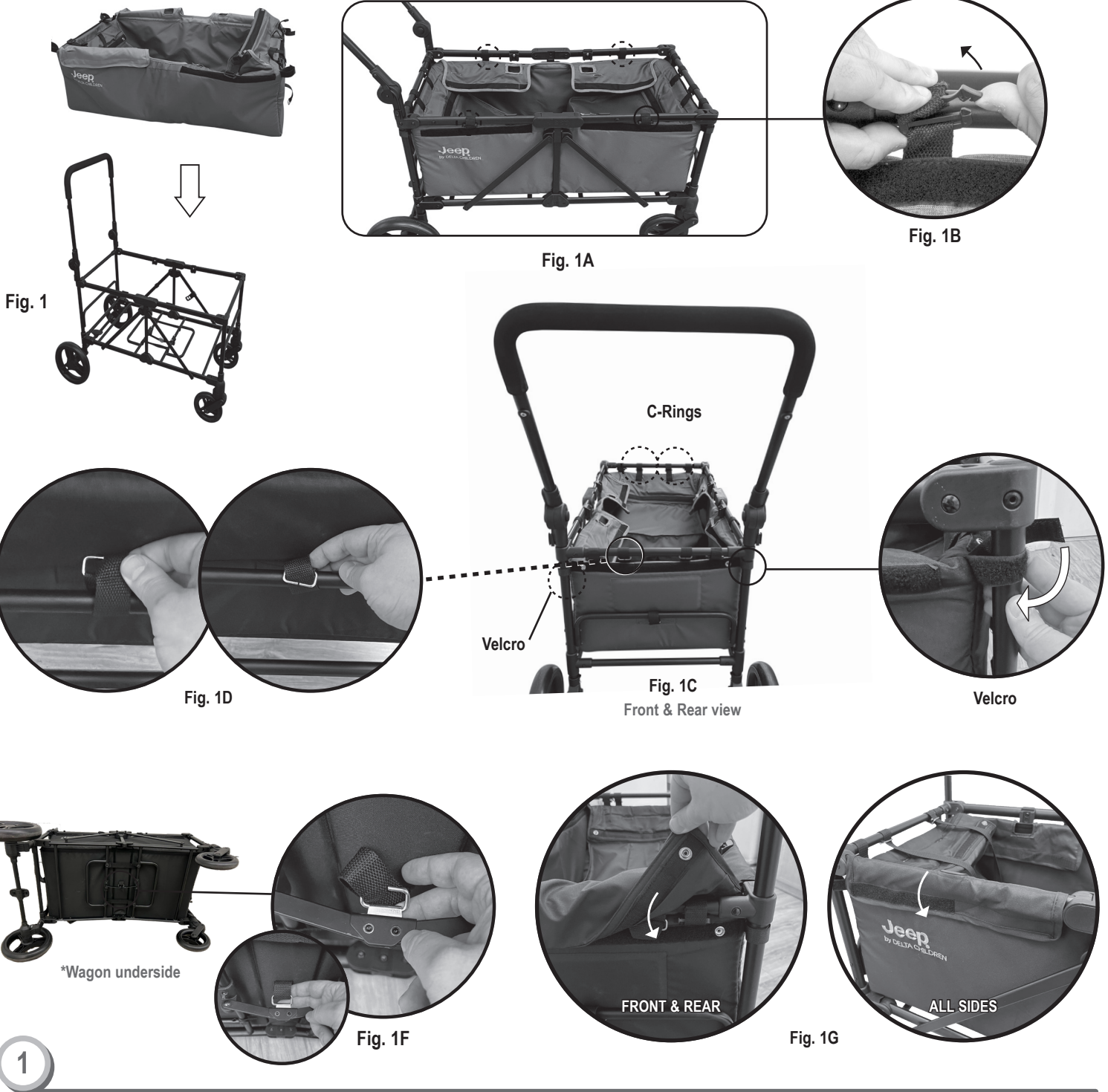
To loosen the waist belts and shoulder straps:

- Feed the free end of the waist belt up through the buckle to form a loop **A**. Enlarge the loop by pulling on the end of the loop toward the buckle. Pull the anchored end of the waist belt to shorten the free end of the waist belt **B**.
- Repeat this procedure to loosen the other waist belt.
- Feed the bottom end of the shoulder strap through the plastic stay to form a loop **C**. Pull the top end up to loosen the strap **D**.
- Repeat this procedure to loosen the other shoulder strap.

**Please Note:** After adjusting the restraint system to fit your child, make sure you pull on it to be sure it is securely fastened.



# CLEANING AND MAINTENANCE

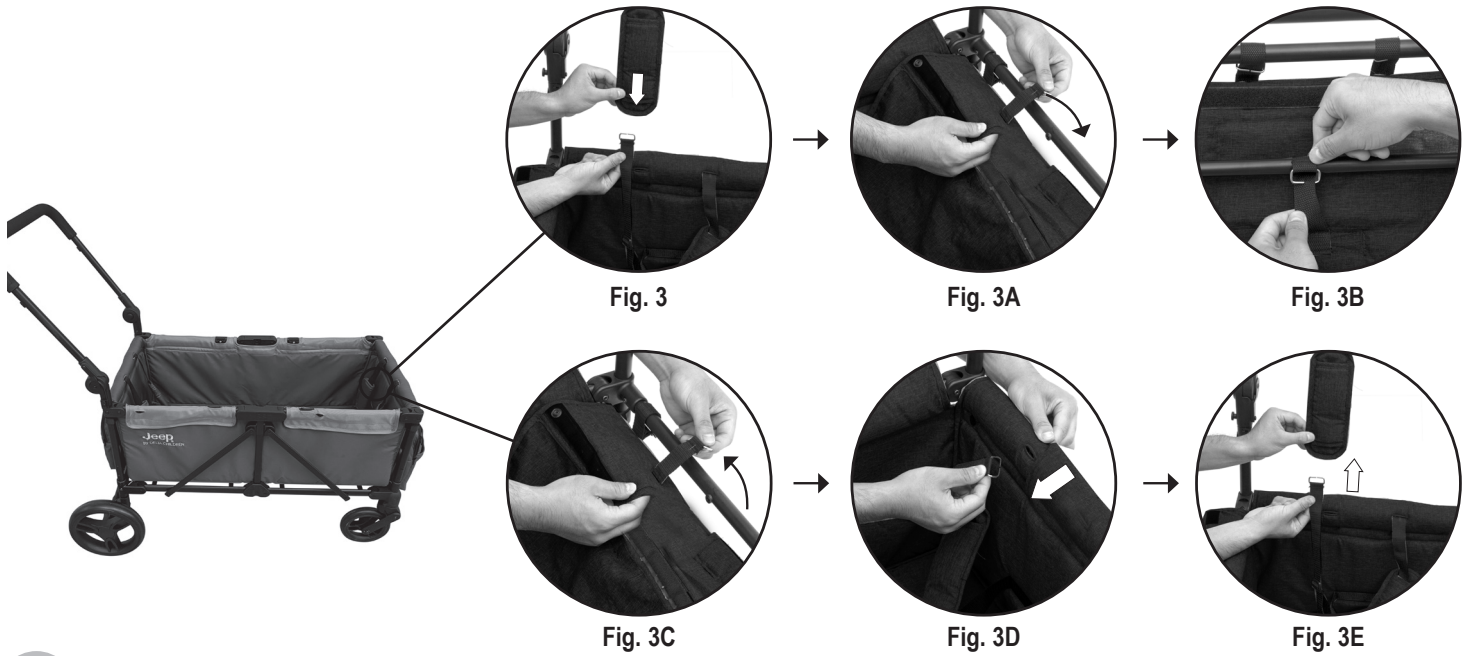


1

## INSTALLING & REMOVING FABRIC LINER FROM WAGON FRAME

- Installing fabric liner: Start by inserting fabric liner as shown with all flaps inside (Fig. 1).
- Attaching buckle straps: Locate the 4 buckle straps on the sides of fabric liner (Fig. 1A).
- Place each strap over wagon frame and use finger tip to pull buckle open. While buckle is open, feed strap through and release finger from clip to secure. Repeat for all 4 buckles (Fig. 1B).
- Attaching C-ring straps: Locate the 7 C-rings (3 front, 3 rear, 1 under) on front, rear and underside of fabric liner (Fig. 1C, Fig. 1F).
- Place each strap over the wagon frame and secure by pulling strap through the slit at the bottom of the C-ring (Fig. 1D). Do the same for wagon underside but attach to center of frame (Fig. 1F)
- Attaching velcro straps: Locate the 4 velcro (2 front, 2 rear) straps on the front and rear of fabric liner (Fig. 1E).
- Secure velcro straps by placing around wagon frame as shown (Fig. 1E).
- Finish by securing fabric liner velcro attachments as shown (Fig. 1G). On Front and back velcro, snap both buttons on both sides.
- To remove fabric liner from wagon frame: Follow these steps in reverse.

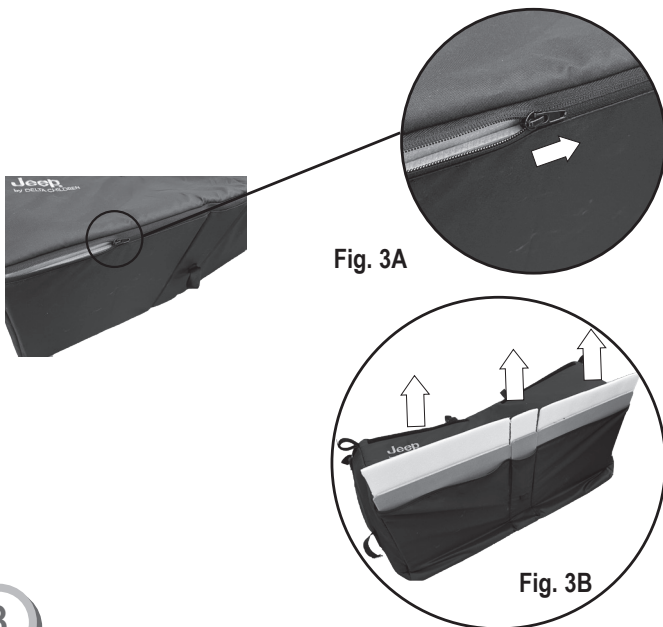
# CLEANING AND MAINTENANCE



2

## INSTALLING & REMOVING SHOULDER STRAPS FOR CLEANING

- To install shoulder straps: Slide shoulder strap fabric onto C-ring strap (Fig. 3)
- Slip C-ring strap through slit in fabric liner (Fig. 3A).
- Secure by placing strap over the wagon frame and pulling strap through the slit at the bottom of the C-ring (Fig. 3B).
- To remove shoulder straps: Remove C-ring strap by pulling strap through slit and removing (Fig. 3C)
- Remove strap from fabric liner slit (Fig. 3D)
- Remove shoulder strap fabric from harness by sliding up and off (Fig. 3E)



3

## REMOVING SEAT PAD FOR CLEANING

- Use earlier instructions on pg. 12 to remove fabric liner from frame.
- Locate zipper at the bottom edge of fabric (Fig. 3A).
- Unzip to remove foam and board (Fig. 3B).
- To replace, follow these steps in reverse.



# DELTA♥CHILDREN

Delta Children's Products Corp.  
114 West 26<sup>th</sup> Street  
New York, NY 10001  
gcs@DeltaChildren.com  
www.DeltaChildren.com

follow us



@deltachildren