

babyGap

DELUXE PLAY YARD

INSTRUCTION MANUAL

ADULT ASSEMBLY REQUIRED

26202

STYLES AND COLORS MAY VARY



**▲ WARNING:
CHOKING HAZARD**

Adult assembly required because of small parts. Keep assembly parts out of reach of children under 3 years.

Read all instructions BEFORE assembly and USE of product
KEEP INSTRUCTIONS FOR FUTURE USE.

Customer Experience Center
email: gcs@DeltaChildren.com


DELTA CHILDREN
www.DeltaChildren.com

DCP-IM-08192022

Consumer Information



WARNING

WARNING: Failure to follow these warnings and the instructions could result in serious injury or death (keep the instructions for future reference). Before assembling this play yard read and understand the instructions, incorrect assembly may make the play yard unsafe.

- **Read all instructions before assembling unit.**

SUFFOCATION HAZARD: Infants have suffocated:

- In gaps between a mattress (too small or too thick) and product sides.
- On soft bedding.
- **NEVER** add a mattress, pillow, comforter or padding. Use **ONLY** the pad provided by the manufacturer.
- **NEVER** leave infant in product with sides down. Infant may roll into space between pad and loose mesh side causing suffocation.
- Strings can cause strangulation! Never place items with a string around a child's neck such as hood strings or pacifier cords. Never suspend strings over product or attach strings to toys.
- The product, including side rails, must be fully erected prior to use. Make sure latches are secure.
- Never leave infant in the product with the top rail latches unlatched in the unlocked position. Be sure top rail latches are raised and latched into the locked position whenever the child is in the product.
- Discontinue use of the product when child is able to climb out or reaches the height of 35 in (890 mm).
- Never place product near a window where cords from blinds or drapes can strangle a child.
- **DO NOT** place the play yard near trailing cables or hanging cords.
- Always provide the supervision necessary for the continued safety of your child. When used for playing, never leave child unattended.
- **DO NOT** use the play yard if the fabric on the side rail or end rails has been ripped or torn through.
- Use only the pad provided by the manufacturer. Play yard pad dimensions are 38.5 in (978mm) long by 27.5 in (699mm) wide.
- To reduce the risk of Sudden Infant Death Syndrome (SIDS), pediatricians recommend healthy infants be placed on their backs to sleep, unless otherwise advised by your physician.
- Never use plastic shipping bags or other plastic film as mattress covers not sold and intended for that purpose. They can cause suffocation.
- Never use a water mattress with this product.
- Keep medication and small items that a child could choke on away from the play yard.
- Use this product with only one child at a time.
- Maximum weight limit for the changer is 25 lb (11kg)
- Maximum weight limit for the bassinet is 30 lb (13.6kg)
- Mobile arm age grade: From birth - 5 months
- Child can become entrapped and die when improvised netting or covers are placed on top of a play yard. Never add such items to confine child in play yard.
- When child is able to pull to standing position, remove bumper pads, large toys, and other objects that could serve as steps for climbing out.

IMPORTANT! Never use this product if there are any loose or missing fasteners, loose joints, broken parts, or torn mesh/fabric. Check before assembly and periodically during use. Contact Delta Children's Products for replacement parts. Never substitute parts.



Before returning this product to the store! Let's see if we can assist you!

- **Not sure how to assemble our product?**

Visit our site for easy to follow instructions along with some Tricks and Tips assembly video's
<https://www.deltachildren.com/pages/instructions>

- **If you are missing a piece or have a damaged part**

Please contact our Consumer Experience Center for assistance at gcs@DeltaChildren.com.
To better assist you please have your Style #, Lot # and Manufacturer Date information available along with the part number that you need assistance with.

- **In the event we do not have a replacement part available**

You may need to return your product to the retailer for an exchange or refund.

- **Warranty**

In order to protect your investment, don't forget to register your product.

You may also wish to consider purchasing our extended warranty.

Visit <https://www.deltachildren.com/pages/extended-warranty> for more details.

- **Please note:**

"All Final", "As Is" or Third Party/Liquidator sales are not covered under our Limited Manufacturer Warranty..

DELTA CHILDREN

LIMITED MANUFACTURER WARRANTY

This Delta product is warranted to be free from defects for a period of 90 days from the date of purchase under normal use. This warranty extends only to the original retail purchaser and is valid only when supplied with proof of purchase, or if received as a gift, when the registration is on file with Delta. This limited manufacturer warranty does not cover the following:

- Products purchased as floor models or samples.
- Items purchased on an “as-is” basis, as a second hand product, or as a resale product.
- Items purchased at a Final sale, a “Going out of Business” sale, or a Liquidation sale.

TO REGISTER YOUR PRODUCT for important safety alerts and updates to your product please visit www.deltachildren.com

TO REPORT A PROBLEM, please log on to www.deltachildren.com and click the Consumer Care Tab, or contact us by email at gcs@DeltaChildren.com.

Date of Purchase: _____ (you should also keep your receipt)

EXTENDED WARRANTY

DON'T MISS YOUR CHANCE TO BE COVERED FOR ALL OF LIFES MISHAPS!

With Delta's Extended Warranty, you're covered for mechanical failure from normal use or if your item stops working due to normal wear and tear, plus all those unexpected surprises.

2 YEARS OF PROTECTION

For Additional Information:

Simply visit our Website, register your product, and add the Extended Warranty

<https://www.deltachildren.com/pages/product-registration>

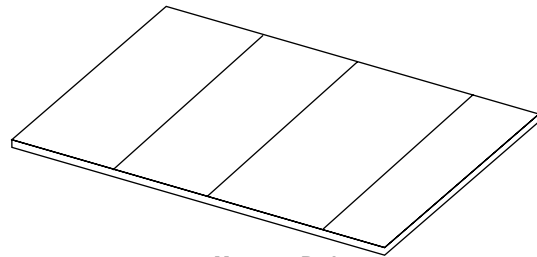
Extended Warranty only available in the following States: Arkansas, Colorado, Delaware, District of Columbia, Georgia, Idaho, Illinois, Indiana, Iowa, Kansas, Kentucky, Louisiana, Maryland, Michigan, Mississippi, Missouri, Nebraska, Nevada, New Hampshire, New York, North Carolina, North Dakota, Pennsylvania, Rhode Island, South Dakota, Tennessee, Utah, West Virginia

PARTS

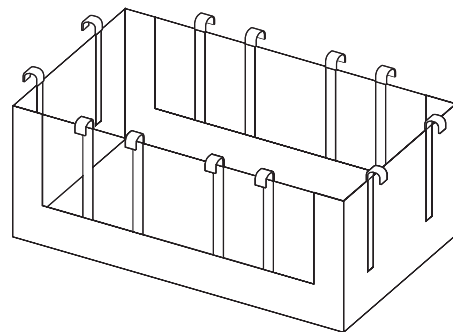
IMPORTANT! Please remove all parts from the package and identify them before assembly.



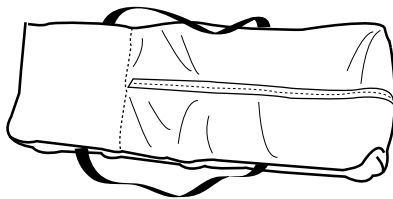
Play Yard



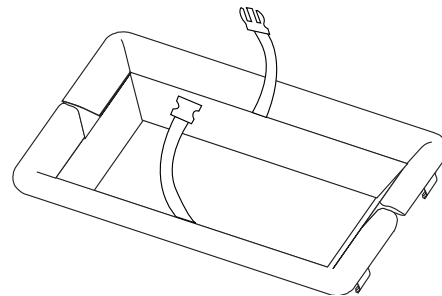
Mattress Pad



Bassinet



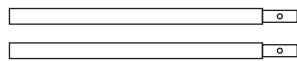
Travel and Storage Bag



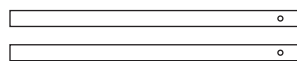
Changing Table



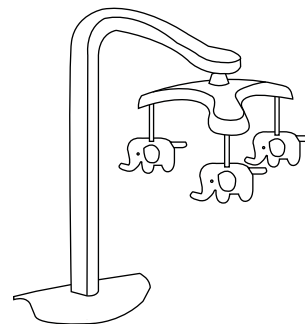
Organizer



**Support Tube A
(X2)**

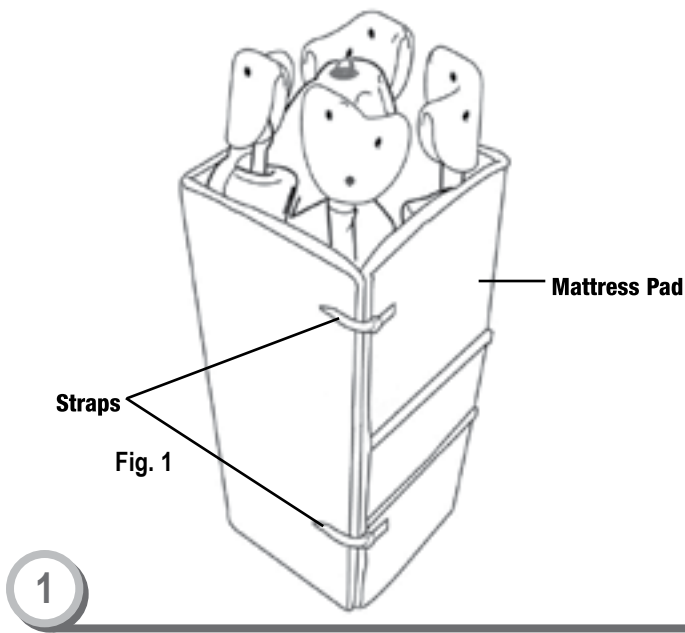


**Support Tube B
(X2)**

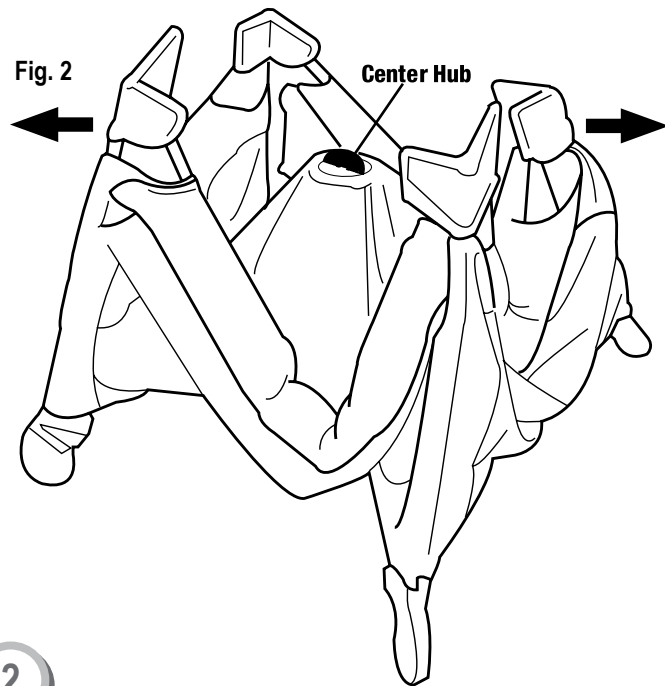


Mobile Arm

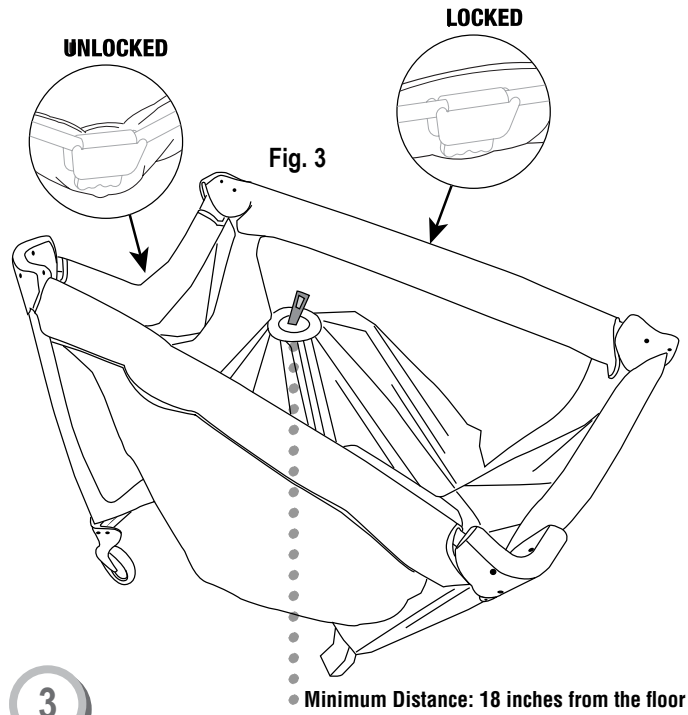
Play Yard Assembly and Use



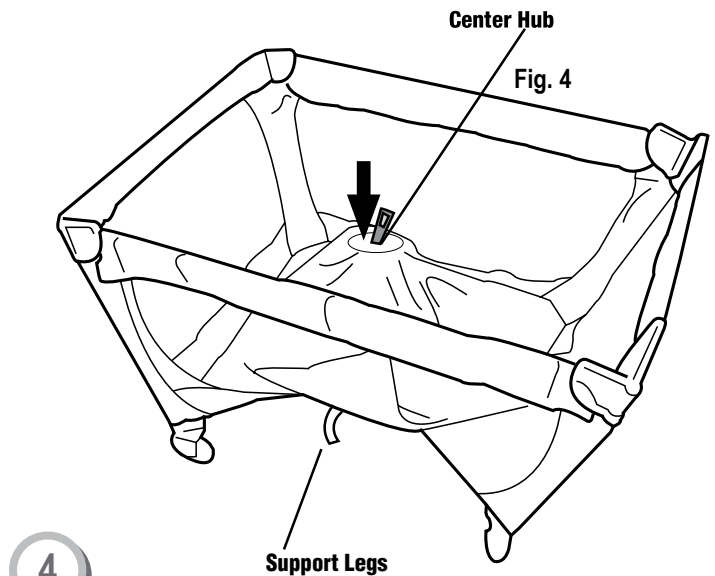
- Unfasten the straps on the mattress pad (Fig. 1).
- Remove the bassinet, toy bar, and the play yard from inside the mattress pad.



- Carefully pull the end rails out (Fig. 2).
- IMPORTANT!** Do not push down on the center hub. You will do this in step 4.



- Make sure the center hub is raised at least 18 inches.
- Grasp the center of each side rail and end rail then lift to “SNAP” into the locked position (Fig. 3).
- If “snapping” of the side rail and end rail locks does not occur easily, recheck that the center hub is up to recommended height before proceeding.



- IMPORTANT!** Before pushing down the center hub into a locked position, check that the support legs are positioned flat on the floor to successfully lock down the center hub.
- Press down on the center hub to lock it into the use position (Fig. 4).

Play Yard Assembly and Use

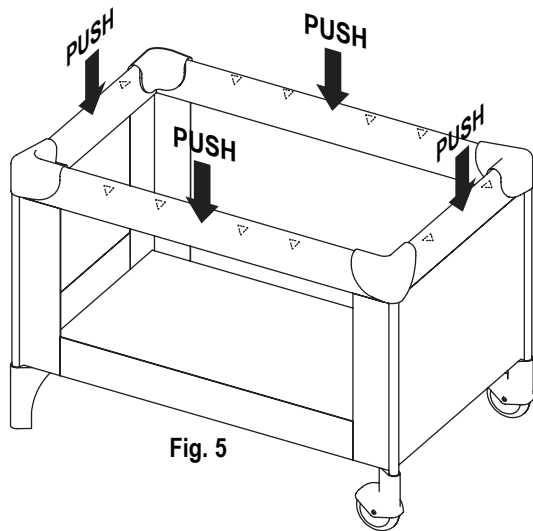


Fig. 5

5

IMPORTANT! Check to be sure the play yard frame is secure. Push down on the sides and end rails (Fig. 5).

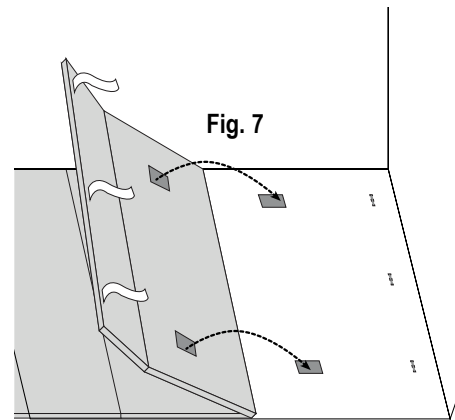


Fig. 7

7

- Fit all four corners of the mattress pad into the corner in the base of the play yard.
- Push down on the mattress pad to attach all fabric fasteners (Fig. 7).

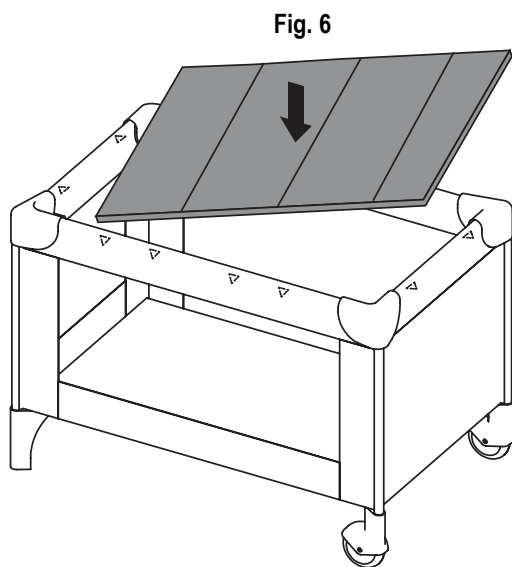


Fig. 6

6

- Place mattress pad in the play yard (Fig. 6).

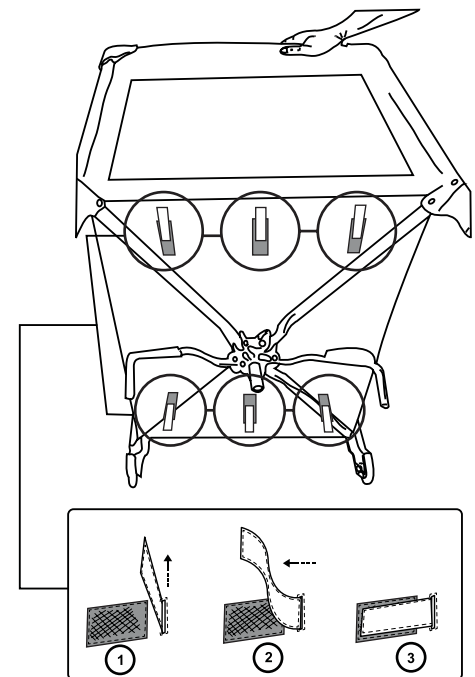


Fig. 8

8

- Pull through hook and loop straps through the slots at the bottom of the play yard. Fasten straps as shown in illustration (Fig. 8). **WARNING:** Make sure both hook and loop straps are firmly attached.

Bassinet Assembly and Use



WARNING

WARNING: Failure to follow these warnings and instructions could result in serious injury or death.

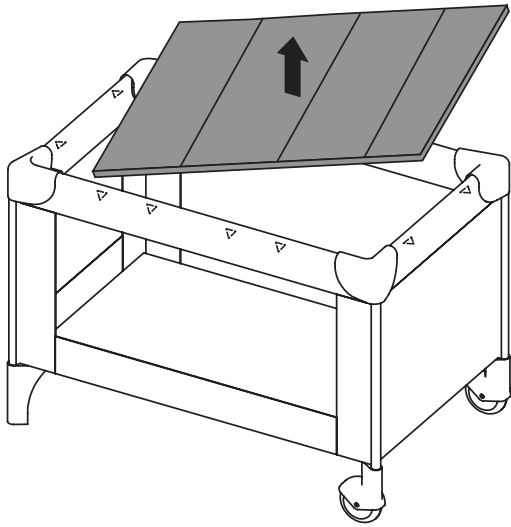
- **FALL HAZARD:** To help prevent falls, do not use the bassinet feature of this product when the infant begins to push up on hands and knees or has reached manufacturer's recommended maximum weight of 30 lbs (13.6kg), or can roll over, whichever comes first.

SUFFOCATION HAZARD: Infants have suffocated:

- In gaps between a mattress (too small or too thick) and product sides.
- On soft bedding.
- **NEVER** add a mattress, pillow, comforter or padding. Use **ONLY** the pad provided by the manufacturer.
- **STRANGULATION HAZARD** -Never leave bassinet attachment in place when child is in playard.
- If using a mattress sheet use only one specifically designed to fit the dimensions of the bassinet mattress pad provided by the manufacturer.
- Use only the pad provided by the manufacturer. Play Yard pad dimensions are 38.5 in (978mm) long by 27.5 in (699mm) wide.
- Side rails must be erect and latched prior to use. Failure to latch may result in child falling out of bassinet or becoming entrapped.
- To reduce the risk of Sudden Infant Death Syndrome (SIDS), pediatricians recommend healthy infants be placed on their back to sleep, unless otherwise advised by your physician.
- Use bassinet with only one child at a time.
- **DO NOT** store the bassinet in the play yard while in use.
- To help prevent heat build-up inside the play yard and to avoid overheating your child when using the bassinet, do not use as an outdoor canopy.
- The bassinet must be fully assembled and installed, including four metal tubes, corner clips, and mattress pad before using. Make sure all the bassinet clips are fully engaged underneath each corner of the play yard. Check by pulling upwards on the bassinet attachment.
- Strings can cause strangulation! **DO NOT** place items with a string around a child's neck, such as hood strings or pacifiers cords. **DO NOT** suspend strings over a product or attach strings or toys.
- **DO NOT** place the play yard near trailing cables or hanging cords.

Bassinet Assembly and Use

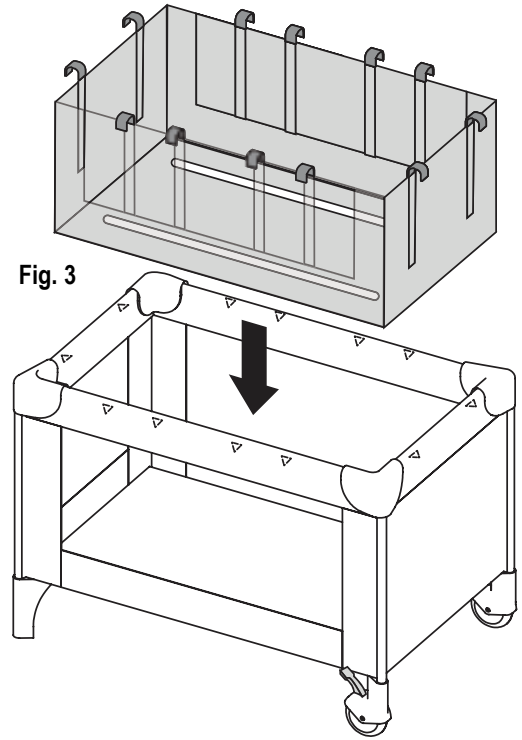
Fig. 1



1

- Lift to unfasten the fabric fasteners on the underside of the mattress pad and remove (Fig. 1).
NOTE: Remove the mattress pad used in the play yard for use in the bassinet.

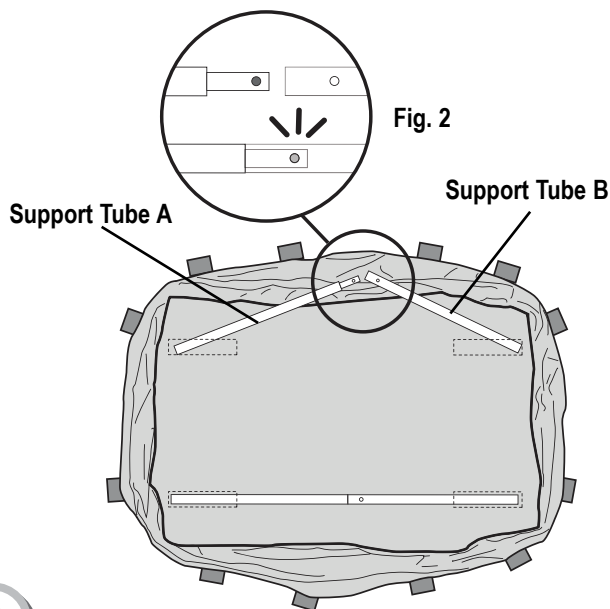
Fig. 3



3

- With the bassinet support tubes facing up, place the bassinet over the top of an end rail on the play yard (Fig. 3).

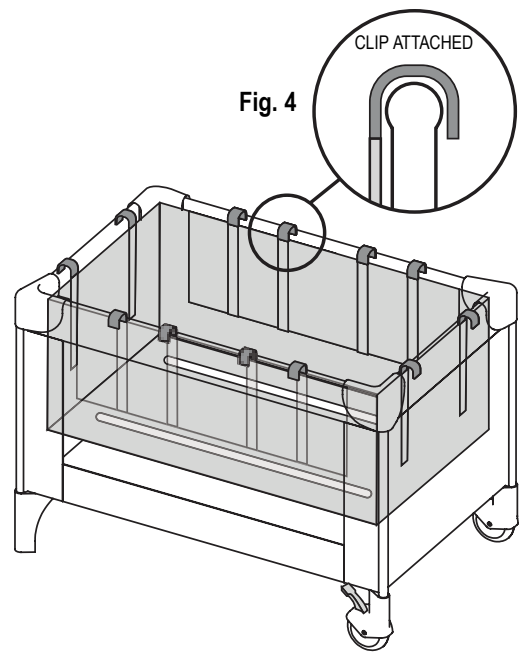
Fig. 2



2

- Place bassinet on a flat surface with the bottom facing up.
- Locate support tube A & support tube B and insert each end into each individual sleeve and connect them together until the button "CLICKS" into its locked position (Fig. 2).
- Repeat above step to extend and lock the other support tube.

Fig. 4

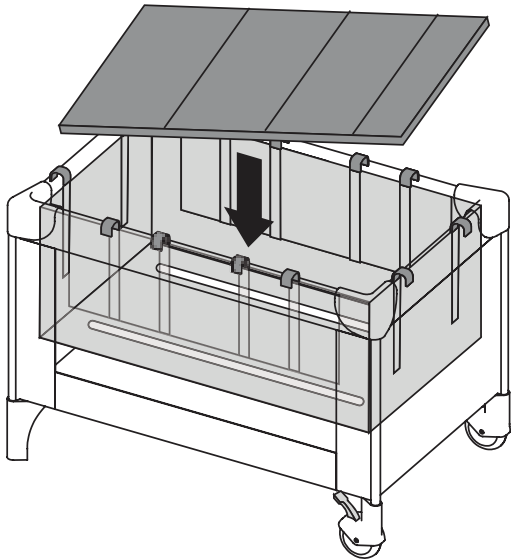


4

- Fit four (x4) bassinet side clips over the play yard side rails and fit other two (x2) bassinet side clips over the play yard end rails (Fig. 4).

Bassinet Assembly and Use

Fig. 5



5

- Place the mattress pad into the bassinet (Fig. 5).

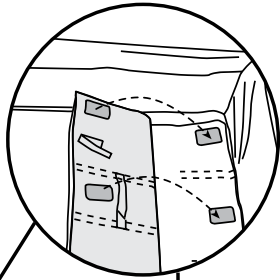
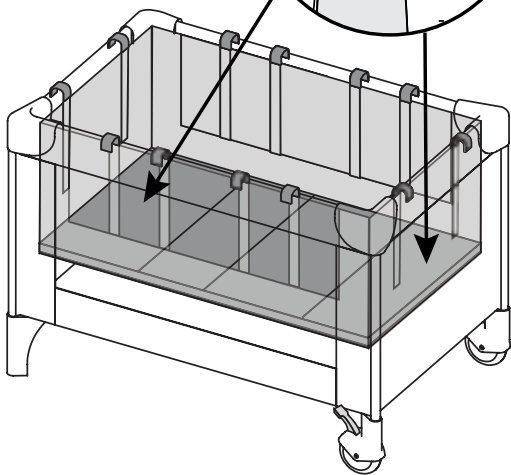


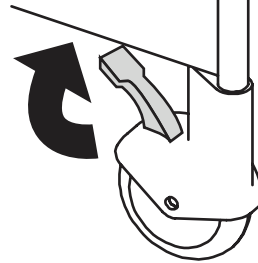
Fig. 6



6

- Push down on the mattress pad to attach all the fasteners (Fig. 6).

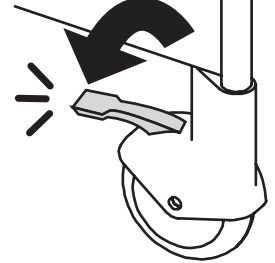
Fig. 3



Unlocking

3

Fig. 3A



Locking

Locking & Unlocking Playard Wheel:

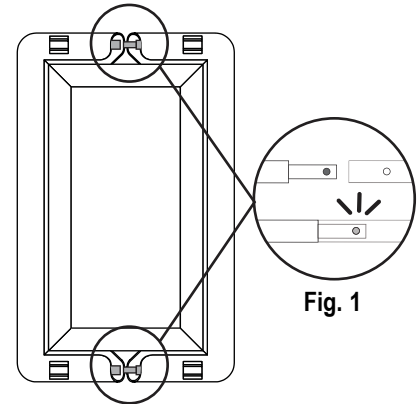
- To engage brakes: Apply light downward pressure to the brake lever located on the right & left side of the playard (Fig. 3)
NOTE: Make sure the brakes are always in a fully locked position when in use. Once in a fully locked position, Push gently on playard to make sure it does not move.
- To release brakes: Gently lift up on the linked brake lever (Fig. 3A).

Changing Table Assembly and Use

WARNING

Failure to follow these warnings and the assembly instructions could result in serious injury or death. Please save manual for future use as it contains important information. Please read these instructions before use of this product.

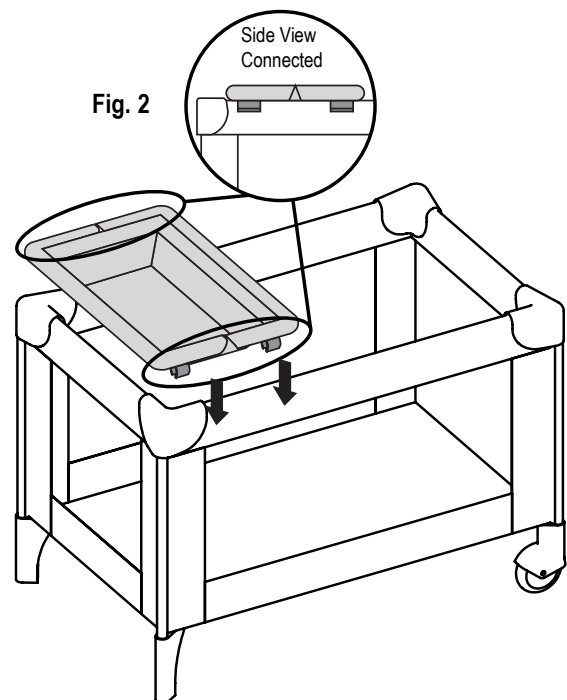
- **FALL HAZARD** - Children have suffered serious injuries after falling from changing tables. Falls can happen quickly.
- STAY in arm's reach of your child.
- ALWAYS secure this product to the support frame by latching changing table onto top rails of the play yard.
- The changing table is designed for use only with this play yard. DO NOT use on the floor, bed, counter or other surfaces. Before each use make sure the changing table is properly secured to the play yard by pushing down firmly in the middle of the changing table.
- DO NOT use the changing table if it is damaged or broken.
- DO NOT use bassinet when using changing table.
- **IMPORTANT** - DO NOT remove the changing table from the play yard with your child in the changing table.
- **SUFFOCATION HAZARD** - Babies have suffocated while sleeping in changing areas. Changing areas are not designed for safe sleeping.
- NEVER allow baby to sleep in changing area.
- REMOVE changing table after each use.
- Always attach changing table securely by latching changing table onto top rails of the play yard. If changing table is not secured, child in play yard/non-full size crib can lift or shift changing table and get neck trapped between changing table and non-full size crib/play yard frame.
- **ENTRAPMENT HAZARD**
- Never leave the changing table in place when child is in play yard.
- Weight limit for the changing table is 25 lbs. (11kg).
- NEVER use changing table as a play area.
- DO NOT use the changing table as extra storage.



1

- Lay the changing table down with the four plastic hooks facing up.
- Connect the tubes together on either side of the changer. Insert one end into the other until the button "CLICKS" into its locked position (Fig. 1).
- Repeat above step on opposite side.

Note: Pull on the tubes to make sure they are locked together.



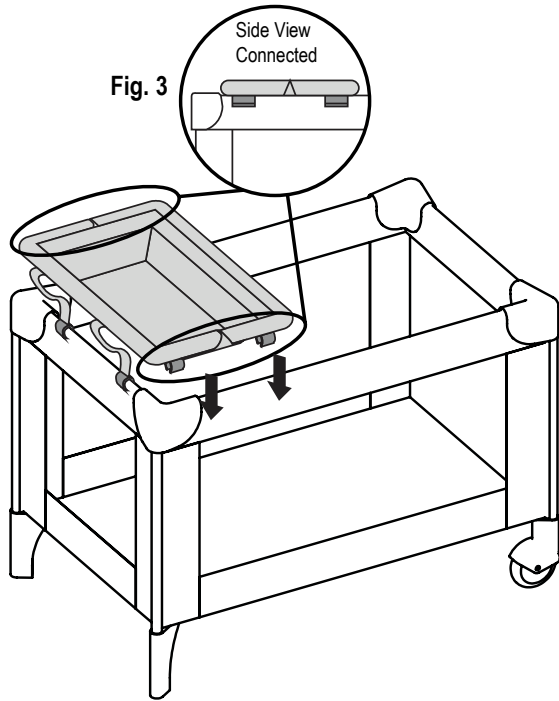
2

- Locate the four clips underneath changing table and connect them to the side rails until fastened in place (Fig. 2).

Note: Make sure all clips are engaged and fastened before use.

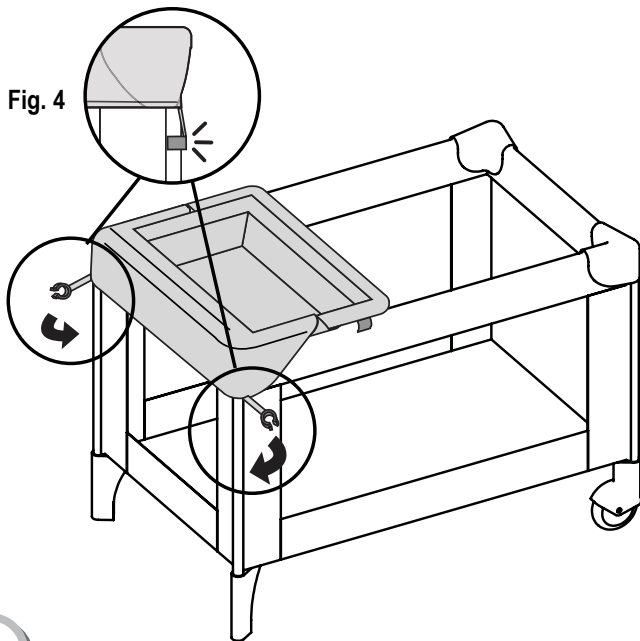
Changing Table Assembly and Use

Fig. 3

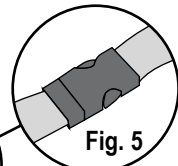


- With the two side clips fastened in place, locate the four clip underneath changer and connect them to the side rails until fastened in place (Fig. 3).
NOTE: Make sure all clips are engaged and fastened before use.

Fig. 4



- Extend back fabric of changer over the playard and connect the bottom clips to the legs of playard (Fig. 4).
Note: Make sure all clips are engaged and fastened before use.



5

- When in use, always attach harness to child before use (Fig. 5).
NOTE: Make sure all clips are engaged and fastened before use.

Parent Organizer Use

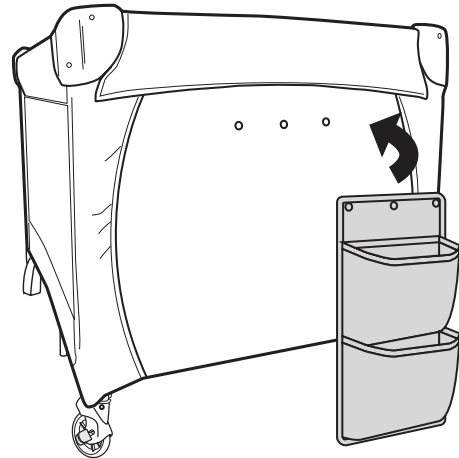


Fig. 1

- Locate the three snaps behind organizer and snap onto the back of playard (Fig. 1).
NOTE: Maximum weight limit of parent organizer is 8 lbs (3.6kg)

Mobile Arm Assembly

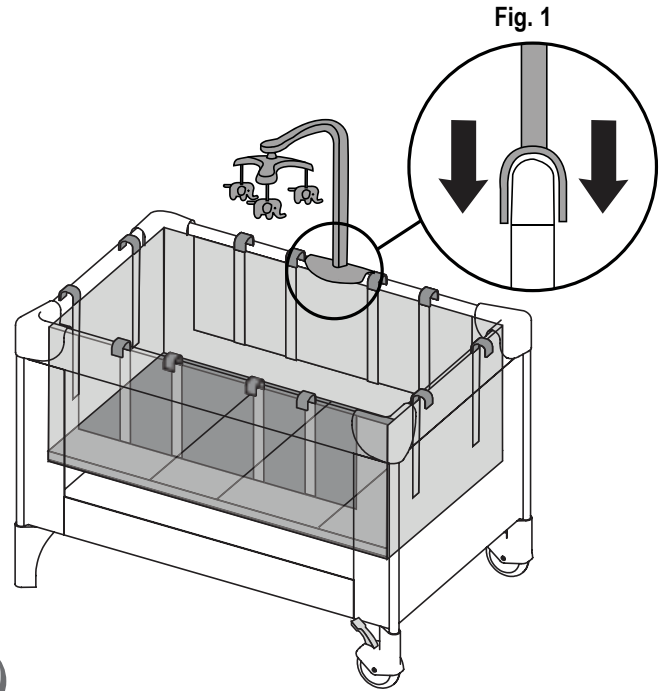


WARNING

PREVENT ENTANGLEMENT INJURY

- Keep out of baby's reach.
- Remove mobile from play yard when baby begins to push up on hands and knees.
- This mobile may not attach to all crib or play yard designs, do not add additional strings or straps to a crib or play yard.
- From birth to 5 months.
- The mobile is intended for visual stimulation and is not intended to be grasped by the child.
- Always attach all provided fasteners (strings, straps, clamps, etc.) tightly to the playard according to the instructions. Check frequently.

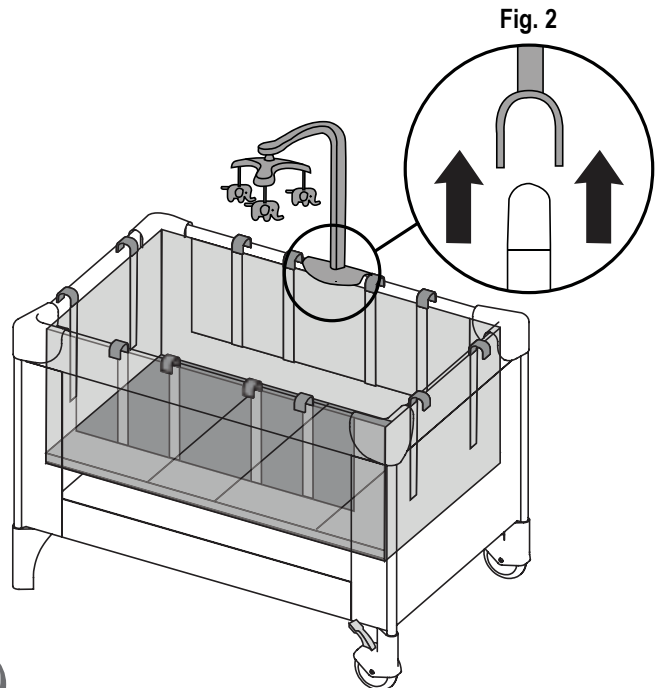
- **MOBILE ARM AGE GRADE: FROM BIRTH - 5 MONTHS**



1

To Attach the Mobile Arm

- Locate the mobile arm and place anywhere on top side rail (Fig. 1)



2

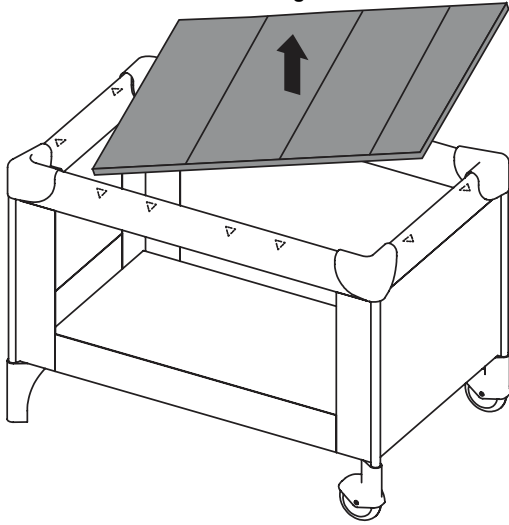
To Remove the Mobile Arm

- Pull up on the base of the mobile arm and lift the mobile arm off the top side rail (Fig. 2).

Folding the Play Yard

Note: You must remove the toy bar, changing table and bassinet before folding the play yard.

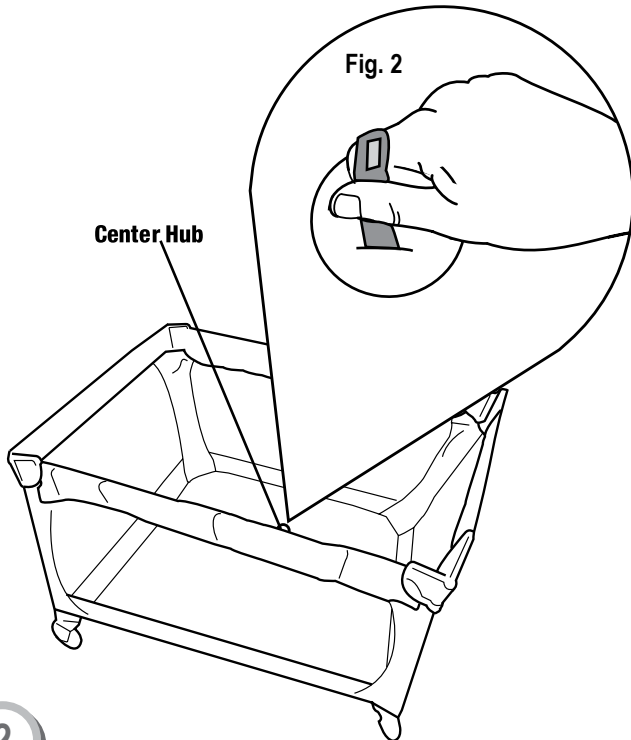
Fig. 1



1

- Remove the mattress pad from the play yard (Fig. 1).
- Lift to unfasten the fasteners on the underside of the mattress pad and remove.

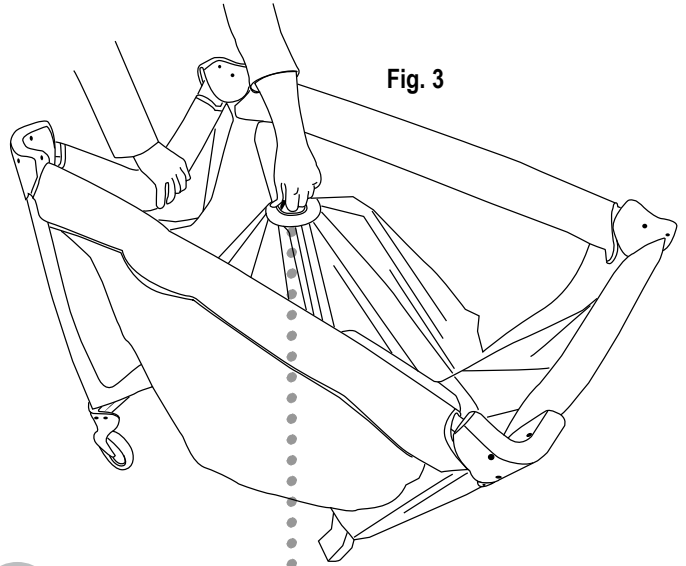
Fig. 2



2

- Locate the center hub inside the play yard.
- Pull up on hub cord to release the center hub lock (Fig. 2).

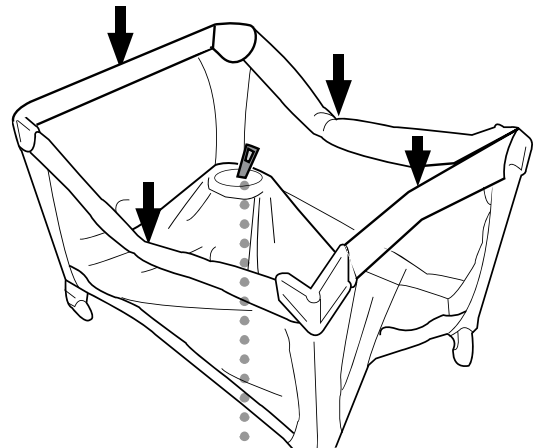
Fig. 3



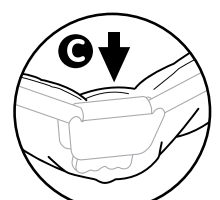
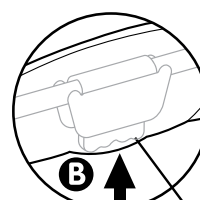
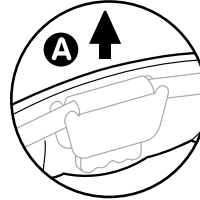
3

• Minimum Distance: 18 inches from the floor

- Lift the center hub (Fig. 3).



• Minimum Distance:
• 18 inches from the floor

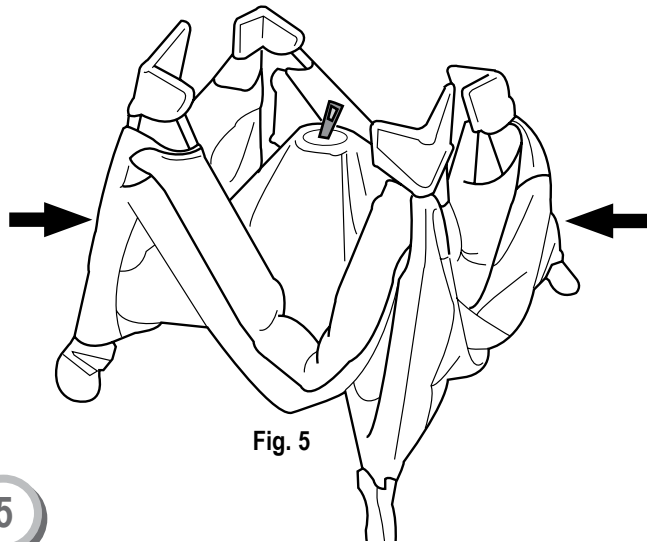


Button

4

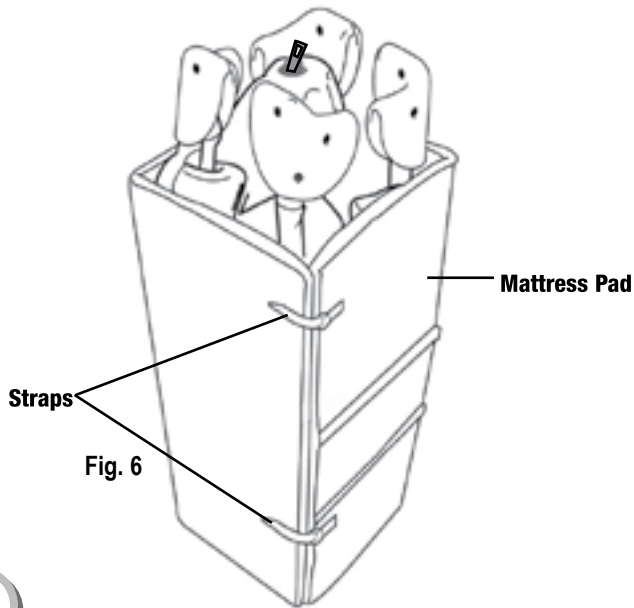
- Make sure the center hub is raised at least 18 inches.
 - Lift the latch **A**. Squeeze the button on the center of a side or end rail **B**. Gently push down **C**.
- Note: Latches will not release unless you lift up rail center and squeeze the button at the same time.
- Repeat this procedure to release latches on the remaining three rail centers.

Folding the Play Yard



5

- Push all sides of play yard in toward the center hub (Fig. 5).

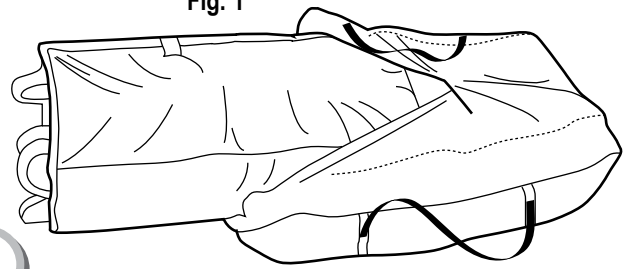


6

- Place the mattress pad on a flat surface with the soft side up.
- Place folded play yard on the mattress pad.
- Place the folded bassinet and toy bar on top of the play yard.
- Wrap the mattress around the play yard.
- Fasten the straps on the mattress pad (Fig. 6).

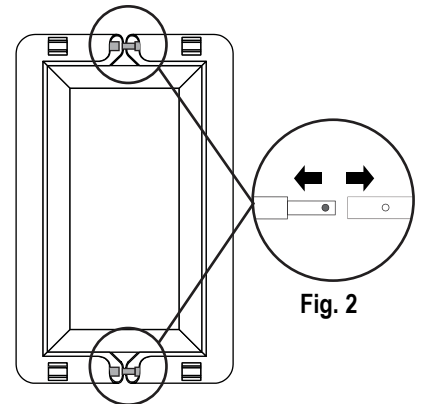
Storage/Travel Bag

Fig. 1



1

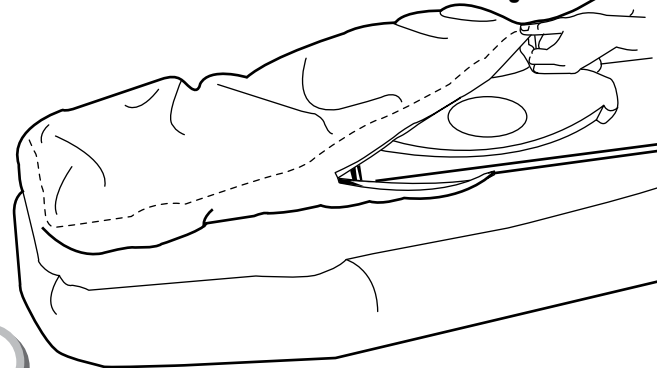
- Locate opening in storage bag.
- Slide the folded play yard and mattress pad into the opening in the storage/travel bag (Fig. 1).
- Close the zipper.



2

- Disassemble the changing table (Fig. 2).

Fig. 3



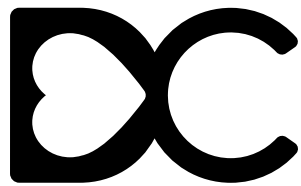
3

- Slide changing table into travel bag next to folded play yard (Fig. 3).

Care

- The frame, mattress pad, changing table, toy arm, and storage bag may be wiped clean using a mild cleaning solution and a damp cloth.
- Do not use bleach.
- Do not use harsh or abrasive cleaners.
- Rinse clean with water to remove residue.
- Do not immerse the product.

- The bassinet may be hand washed in cold water using a mild cleaning solution.
- Do not use bleach.
- Do not use harsh or abrasive cleaners.
- Drip dry.



DELTACHILDREN

Delta Children's Products Corp.
114 West 26th Street
New York, NY 10001
gcs@DeltaChildren.com
www.DeltaChildren.com

follow us



@deltachildren