

FARMHOUSE 2-in-1 WOOD BASSINET & CHANGER

SIMMONS KIDS®

INSTRUCTION MANUAL

ADULT ASSEMBLY REQUIRED
STYLES AND COLORS MAY VARY

25523



**▲ WARNING:
CHOKING HAZARD**

Adult assembly required because of small parts. Keep assembly parts out of reach of children under 3 years.

Read all instructions BEFORE assembly and USE of product
KEEP INSTRUCTIONS FOR FUTURE USE.

Customer Experience Center
email: gcs@DeltaChildren.com



DELTA CHILDREN
www.DeltaChildren.com

DCP-IM-09212020

Consumer Information



WARNING

WARNING: Do not use this bassinet if you cannot exactly follow the accompanying instructions. Failure to follow these warnings and instructions could result in serious injury or death.

- **Read all instructions before assembling unit.**

KEEP INSTRUCTIONS FOR FUTURE USE.

DO NOT USE THIS UNIT IF THE INSTRUCTIONS CANNOT BE STRICTLY FOLLOWED.

- Before each usage or assembly, inspect unit for damaged hardware, loose joints, missing parts or sharp edges.
- **NEVER** use this product if there are any loose or missing fasteners, loose joints, broken parts, or torn mesh/fabric. Check before assembly and periodically during use. Contact Delta Children Customer Service Department at 1-646-435-8726 for replacement parts, repair or instructions.

SUFFOCATION HAZARD: Infants have suffocated:

- On soft bedding.
- In gaps between an extra padding, a mattress (too small or too thick) and product sides.
- Use only the pad provided by the manufacturer that is no thicker than 25 mm (1 in) and is of such a size that, when pushed against any side of the product, it does not leave a gap of more than 25 mm (1 in) between the mattress and sides.
- **NEVER** add a pillow, comforter or another mattress for padding.
- Remove any tools or excess parts including plastic packaging from bassinet vicinity after assembly.
- If a sheet is used with the pad, use only the one provided by the manufacturer or one specifically designed to fit the dimensions of the bassinet/cribble.
- To reduce the risk of SIDS, pediatricians recommend healthy infants be placed on their back to sleep, unless otherwise advised by your physician.
- Never use plastic shipping bags or other plastic film as a mattress covers not sold and intended for that purpose. They can cause suffocation.
- **DO NOT** place bassinet near a window where cords from blinds or drapes may strangle a child. Child may fall out of window.
- **DO NOT** place cords, straps or similar items that could become wound around a child's neck in or near the bassinet.

FALL HAZARD: To help prevent falls, **DO NOT** use this product when the infant begins to push up on hands and knees or has reached manufacturer's recommended maximum weight of 13.6kg (30lbs), whichever comes first.

- To reduce the risk of SIDS, pediatricians recommend healthy infants be placed on their backs to sleep, unless otherwise advised by your physician.
- Always attach all provided fasteners tightly according to the instructions. Check frequently. Do not use if there are any loose or missing parts or signs of damage. Do not substitute parts. Contact the manufacturer for replacement parts.
- Use bassinet with only one child at a time.
- Strings can cause strangulation! **DO NOT** place items with a string around a child's neck, such as hood strings or pacifier cords. **DO NOT** suspend strings over a product or attach strings to toys.
- Toys are not to be "mouthed" by the baby and should be positioned clearly out of reach of the baby's face and mouth.
- **DO NOT** place medication, small toys, small items, cords, straps or similar items that could become wound around the child's neck in or near this product and do not place product near a window, patio door, heater, or power outlet.



Before returning this product to the store! Let's see if we can assist you!

- **Not sure how to assemble our product?**

Visit our site for easy to follow instructions along with some Tricks and Tips assembly video's
<https://www.deltachildren.com/pages/instructions>

- **If you are missing a piece or have a damaged part**

Please contact our Consumer Experience Center for assistance at gcs@DeltaChildren.com.
To better assist you please have your Style #, Lot # and Manufacturer Date information available along with the part number that you need assistance with.

- **In the event we do not have a replacement part available**

You may need to return your product to the retailer for an exchange or refund.

- **Warranty**

In order to protect your investment, don't forget to register your product.
You may also wish to consider purchasing our extended warranty.
Visit <https://www.deltachildren.com/pages/extended-warranty> for more details.

- **Please note:**

"All Final", "As Is" or Third Party/Liquidator sales are not covered under our Limited Manufacturer Warranty..

DELTA CHILDREN

LIMITED MANUFACTURER WARRANTY

This Delta product is warranted to be free from defects for a period of 90 days from the date of purchase under normal use. This warranty extends only to the original retail purchaser and is valid only when supplied with proof of purchase, or if received as a gift, when the registration is on file with Delta. This limited manufacturer warranty does not cover the following:

- Products purchased as floor models or samples.
- Items purchased on an “as-is” basis, as a second hand product, or as a resale product.
- Items purchased at a Final sale, a “Going out of Business” sale, or a Liquidation sale.

TO REGISTER YOUR PRODUCT for important safety alerts and updates to your product please visit www.deltachildren.com

TO REPORT A PROBLEM, please log on to www.deltachildren.com and click the Consumer Care Tab, or contact us by email at gcs@DeltaChildren.com

Date of Purchase: _____ (you should also keep your receipt)

EXTENDED WARRANTY

DON'T MISS YOUR CHANCE TO BE COVERED FOR ALL OF LIFES MISHAPS!

With Delta's Extended Warranty, you're covered for mechanical failure from normal use or if your item stops working due to normal wear and tear, plus all those unexpected surprises.

2 YEARS OF PROTECTION

For Additional Information:

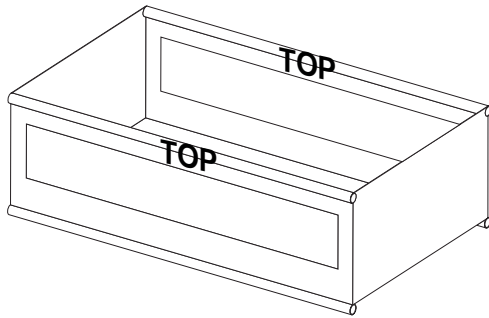
Simply visit our Website, register your product, and add the Extended Warranty

<https://www.deltachildren.com/pages/product-registration>

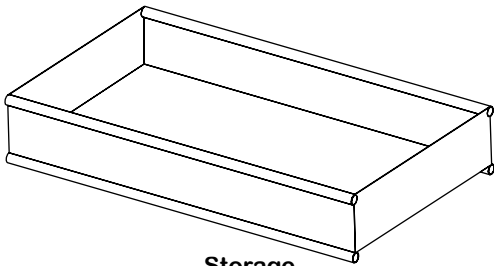
Extended Warranty only available in the following States: Arkansas, Colorado, Delaware, District of Columbia, Georgia, Idaho, Illinois, Indiana, Iowa, Kansas, Kentucky, Louisiana, Maryland, Michigan, Mississippi, Missouri, Nebraska, Nevada, New Hampshire, New York, North Carolina, North Dakota, Pennsylvania, Rhode Island, South Dakota, Tennessee, Utah, West Virginia

PARTS

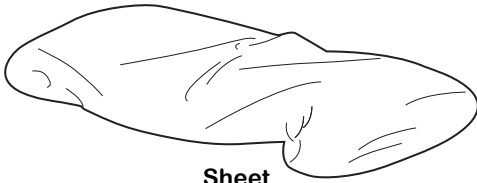
IMPORTANT! Please remove all parts from the package and identify them before assembly.



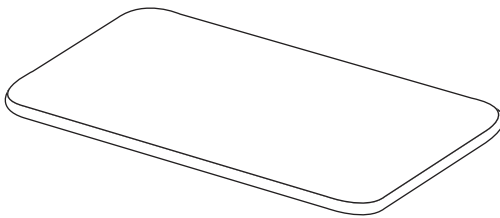
Fabric Liner



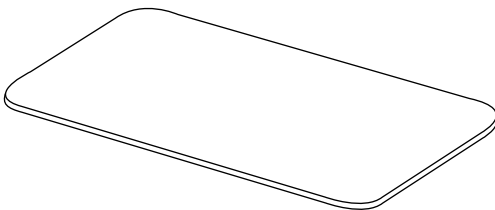
Storage Basket



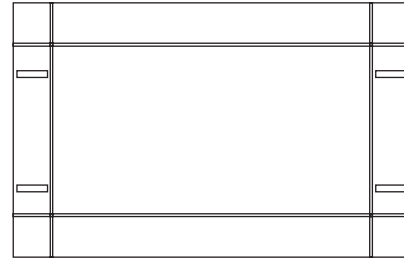
Sheet



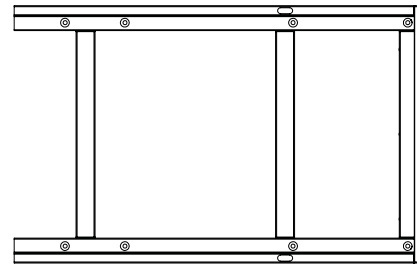
Mattress Pad



Mattress Board



Changing Table Support



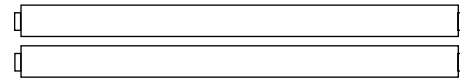
Side Frame (x2)



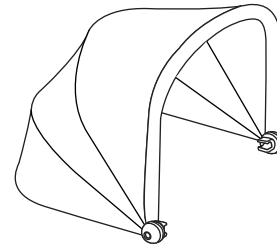
Top Support Tubes (x2)



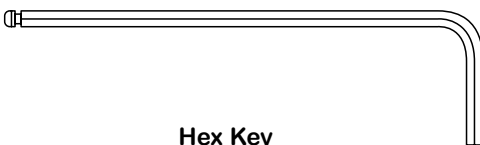
Bottom Support Tubes (x6)



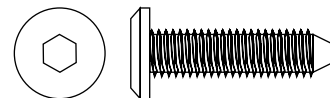
Wooden Cross Beam (x2)



Canopy



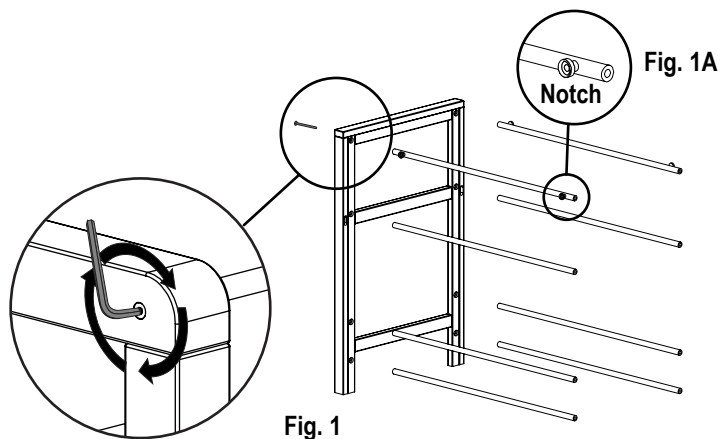
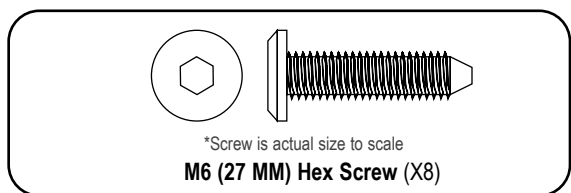
Hex Key



*Screw is actual size to scale

M6 (27 MM) Hex Screw (X16)

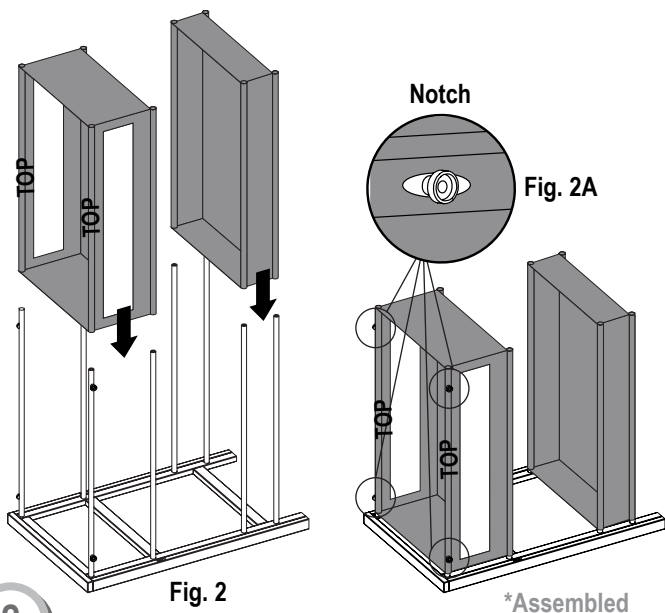
ASSEMBLY



1

INSTALLING TOP & BOTTOM SUPPORT TUBES

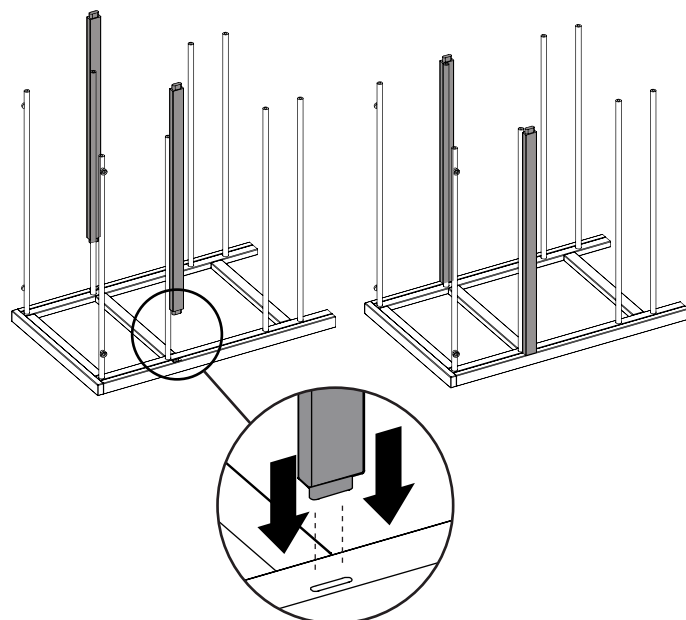
- To install: Align top & bottom support tubes with side frame as shown, insert into corresponding holes and secure to side frame with hex key and M6 (27 MM) hex screw (Fig. 1).
- Note: When installing top support tubes, make sure the notches are facing the outside of bassinet (Fig. 1A).



2

ATTACHING STORAGE BASKET & FABRIC LINER

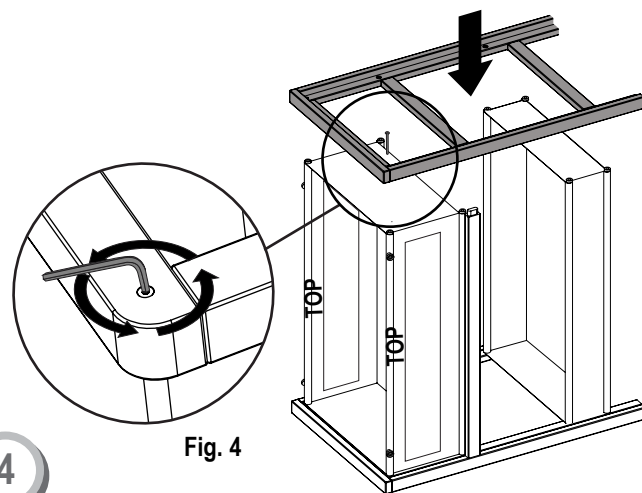
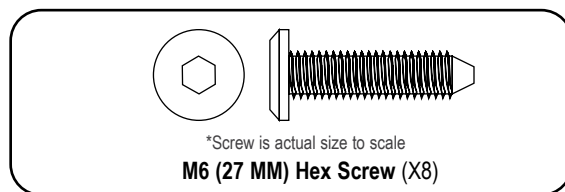
- To install bassinet fabric: Lay side frame flat on floor with support tubes secured on one side. Align the fabrics with the side frame as shown and slide down support tubes (Fig. 2).
- Make sure to allow the notches to show through the slits in the fabric so that they are visible on the outside of Top Bassinet Tube (Fig. 2A).



3

ATTACHING WOODEN CROSS BEAMS TO SIDE FRAME

- To attach wooden cross beams: Align with side frame as shown and insert into corresponding holes (Fig. 3).



4

ATTACHING REMAINING SIDE FRAME

- To complete bassinet construction: Take remaining side frame and align with support tubes and wooden support beams as shown.
- Secure with hex key and M6 (27 MM) hex screw (Fig. 4).

ASSEMBLY

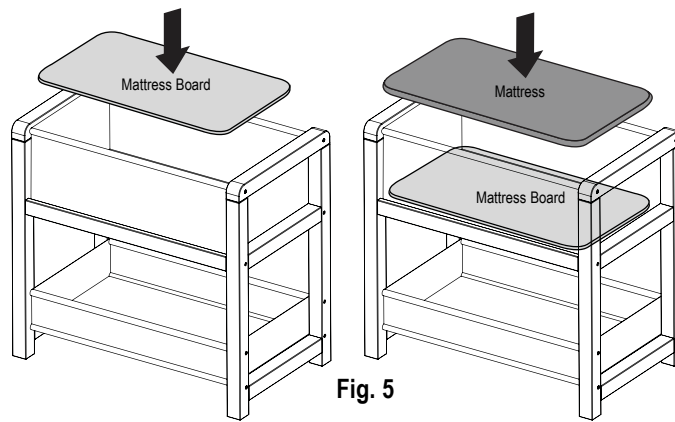


Fig. 5

5

INSERTING MATTRESS & MATTRESS BOARD

- To install bassinet mattress & mattress board: With bassinet now complete, stand bassinet up-right and insert the mattress board into the fabric liner and place mattress on top as shown (Fig. 5).

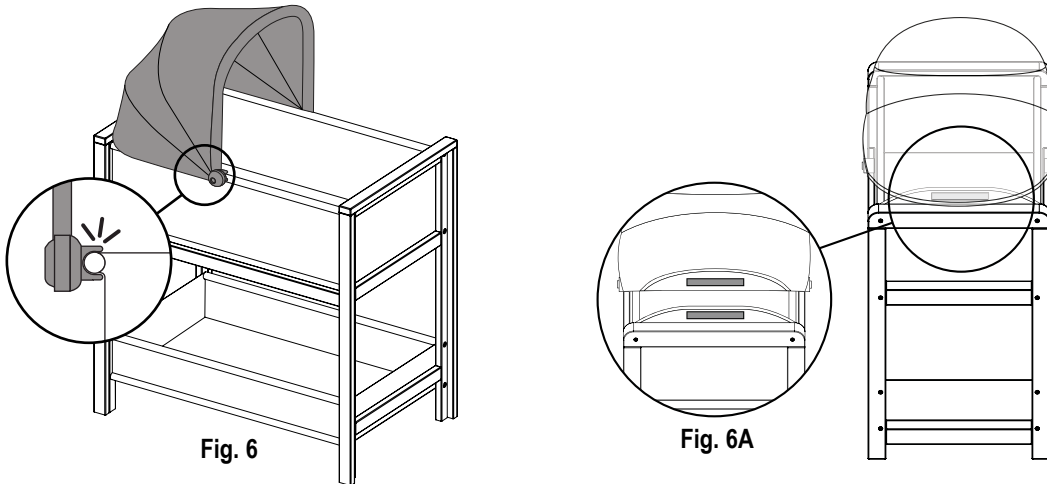


Fig. 6

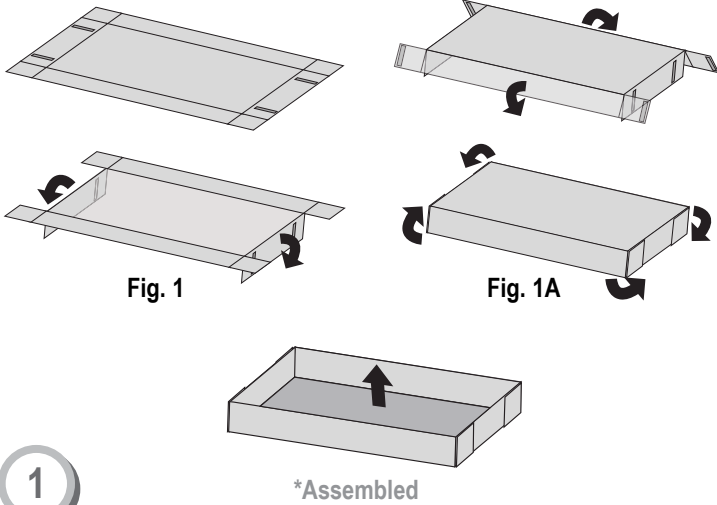
Fig. 6A

6

ATTACHING CANOPY

- To install canopy: Locate the side clips on the canopy and attach them on to the top cross tubes of bassinet (Fig. 6).
- To secure canopy: Attach to velcro point located at the lower back of the canopy shown (Fig. 6A).

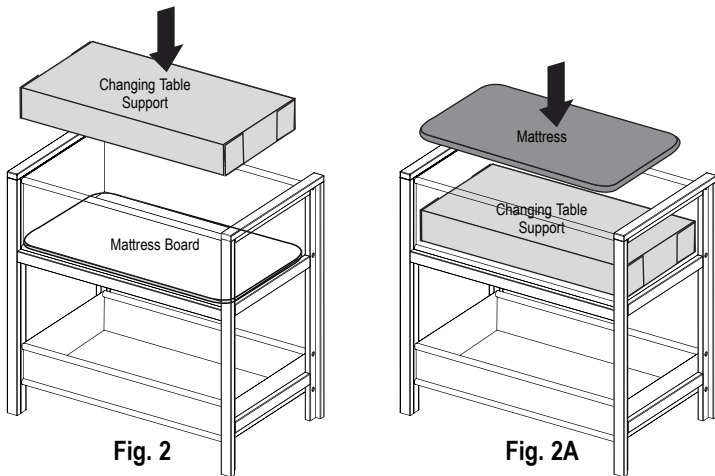
CHANGING TABLE SUPPORT ASSEMBLY



1

ASSEMBLING CHANGING TABLE SUPPORT

- To assemble the changing table support, lay it on a flat surface so that the velcro pieces are facing upward and fold down the front & back flaps downward (Fig. 1). Once complete, fold the side flaps downward and velcro the corner flaps till the changing table support is fully secured in place (Fig 1A).



2

INSTALLING CHANGING TABLE SUPPORT

- Note: When installing the changing table support, make sure the mattress board is installed into the bassinet. (Fig. 2).
- To install the changing table support, place the assembled changing table support into the bassinet so that the flat surface is facing upward. Once complete, place the mattress pad on top of the changing pad (Fig. 2A).

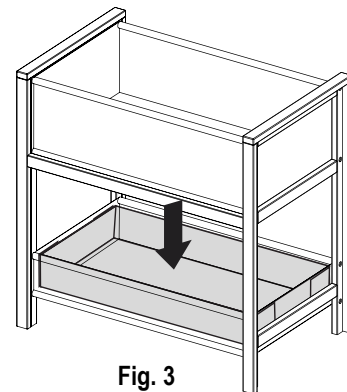
WARNING

- Keep instructions for future use.
- Do not use the changing table support if it is damaged or broken.
- This product is not intended to be used as a changing table without the pad provided. Use of the product without the pad may result in death or serious injury to your child from falling. Follow all instructions on attaching and using the changing table support.
- DO NOT** use this product when the infant reaches manufacturer's recommended maximum weight of 13.6kg (30lbs).

WARNING

- FALL HAZARD:** Children have suffered serious injuries after falling from changing tables. Falls can happen quickly.
- STAY** in arm's reach of your child.
 - ALWAYS** secure this product to the support frame by inserting the changing table support onto mattress support and placing the changing pad onto the changing table support. See instructions.
- SUFFOCATION HAZARD:** Babies have suffocated while sleeping in changing areas. Changing areas are not designed for safe sleeping.
- NEVER** allow baby to sleep in changing area.

DCP06092020-EN-F2



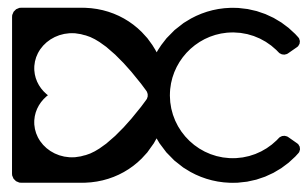
3

Fig. 3

- When the changing table support is not in use, place it into the storage basket with opening facing upward (Fig. 3).

Care and Maintenance

- The frame, mattress pad, and storage basket may be wiped clean using a mild cleaning solution and a damp cloth. Do not use bleach. Do not use harsh or abrasive cleaners. Rinse clean with water to remove residue. Do not immerse the frame.
- The sheet is machine washable. Wash it separately in cold water on the gentle cycle. Do not use bleach. Tumble dry separately on low heat and remove promptly.
- Always store product in a clean and dry place.
- Before each usage or assembly, inspect unit for damaged hardware, loose joints, missing parts or sharp edges. NEVER use this product if there are any loose or missing fasteners, loose joints, broken parts, or torn mesh/fabric. Check before assembly and periodically during use. Contact Delta Children Customer Service Department at gcs@DeltaChildren.com for replacement parts, repair or instructions.



DELTACHILDREN

Delta Children's Products Corp.
114 West 26th Street
New York, NY 10001
gcs@DeltaChildren.com
www.DeltaChildren.com