

SIMMONS KIDS®

DELUXE BEDSIDE BASSINET Newborn Bassinet

INSTRUCTION MANUAL

25518

Styles and colors may vary



**⚠ WARNING:
CHOKING HAZARD**

Adult assembly required because of small parts. Keep assembly parts out of reach of children under 3 years.

**Read all instructions BEFORE assembly and USE of product
KEEP INSTRUCTIONS FOR FUTURE USE.**

Customer Experience Center
email: gcs@DeltaChildren.com


DELTA CHILDREN
www.DeltaChildren.com



DCP-IM-20220816

Consumer Information



WARNING

WARNING: Do not use this bassinet if you cannot exactly follow the accompanying instructions. Failure to follow these warnings and instructions could result in serious injury or death.

• **Read all instructions before assembling unit.**

KEEP INSTRUCTIONS FOR FUTURE USE.

DO NOT USE THIS UNIT IF THE INSTRUCTIONS CANNOT BE STRICTLY FOLLOWED.

- Before each usage or assembly, inspect unit for damaged hardware, loose joints, missing parts or sharp edges. NEVER use this product if there are any loose or missing fasteners, loose joints, broken parts, or torn mesh/fabric. Check before assembly and periodically during use. Contact Simmons Customer Service Department at gcs@deltachildren.com for replacement parts, repair or instructions.

SUFFOCATION HAZARD

Infants have suffocated:

- In gaps between an extra padding, a mattress (too small or too thick) and product sides.
- On soft bedding.
- Use only the pad provided by the manufacturer that is no thicker than 25 mm (1 in) and is of such a size that, when pushed against any side of the product, it does not leave a gap of more than 25 mm (1 in) between the mattress and sides.
- **NEVER** add a pillow, comforter or another mattress for padding.
- Remove any tools or excess parts including plastic packaging from bassinet vicinity after assembly.
- Always make sure both sides of the bassinet are adjusted at the same height position making the bassinet equally leveled.
- Do not use the body of the bassinet without its frame.

FALL HAZARD: To help prevent falls, discontinue use of this product in the bassinet mode when infant begins to push up on hands and knees or reaches 5 months of age. Whichever comes first.

- To reduce the risk of SIDS, pediatricians recommend healthy infants be placed on their backs to sleep, unless otherwise advised by your physician.
- Always attach all provided fasteners tightly according to the instructions. Check frequently. Do not use if there are any loose or missing parts or signs of damage. Do not substitute parts. Contact the manufacturer for replacement parts.
- Always pull out legs to full extension when in use.
- Use bassinet with only one child at a time.
- Strings can cause strangulation! DO NOT place items with a string around a child's neck, such as hood strings or pacifier cords. DO NOT suspend strings over a product or attach strings to toys.
- Toys are not to be "mouthed" by the baby and should be positioned clearly out of reach of the baby's face and mouth.
- Do not place medication, small toys, small items, cords, straps or similar items that could become wound around the child's neck in or near this product and do not place product near a window, patio door, heater, or power outlet.
- If a sheet is used with the pad, use only the one provided by the manufacturer or one specifically designed to fit the dimensions of the bassinet mattress.
- Always check that the bassinet is securely locked on the base/stand by pulling upwards on the bassinet bed.



Before returning this product to the store! Let's see if we can assist you!

- **Not sure how to assemble our product?**

Visit our site for easy to follow instructions along with some Tricks and Tips assembly videos <https://www.deltachildren.com/pages/instructions>

- **If you are missing a piece or have a damaged part**

Please contact our Consumer Experience Center for assistance at email gcs@DeltaChildren.com. To better assist you please have your Style# or Model# and Lot# available. This can be found on a white rectangular sticker on your product, on the registration card, and on the product's box.

- **In the event we do not have a replacement part available**

You may need to return your product to the retailer for an exchange or refund.

- **Warranty**

In order to protect your investment, don't forget to register your product. You may also wish to consider purchasing our extended warranty.

Visit <https://www.deltachildren.com/pages/extended-warranty> for more details.

- **Please note:**

"All Final", "As Is" or Third Party/Liquidator sales are not covered under our Limited Manufacturer Warranty.

DELTA CHILDREN

LIMITED MANUFACTURER WARRANTY

This Delta product is warranted to be free from defects for a period of 90 days from the date of purchase under normal use. If a product is defective during this period, we will at our option repair or replace the defective part or product. This limited warranty extends only to the original retail purchaser and is valid only when supplied with proof of purchase, or if received as a gift, when the registration is on file with Delta.

This limited warranty does not cover the following:

- Products purchased as floor models or samples.
- Items purchased on an “as-is” basis, as a second hand product, or as a resale product.
- Items purchased at a Final sale, a “Going out of Business” sale, or a Liquidation sale. This limited warranty gives you specific legal rights and you may also have other rights which vary from state to state.

This limited warranty gives you specific legal rights and you may also have other rights which vary from state to state.

TO REGISTER YOUR PRODUCT for important safety alerts and updates to your product please visit www.deltachildren.com

TO REPORT A PROBLEM, please log on to www.deltachildren.com and click the Consumer Care Tab, or contact us by gcs@deltachildren.com

Date of Purchase: _____ (you should also keep your receipt)

EXTENDED WARRANTY

DON'T MISS YOUR CHANCE TO BE COVERED FOR ALL OF LIFE'S MISHAPS!

With Delta's Extended Warranty, you're covered for mechanical failure from normal use or if your item stops working due to normal wear and tear, plus all those unexpected surprises.

2 YEARS OF PROTECTION

For Additional Information:

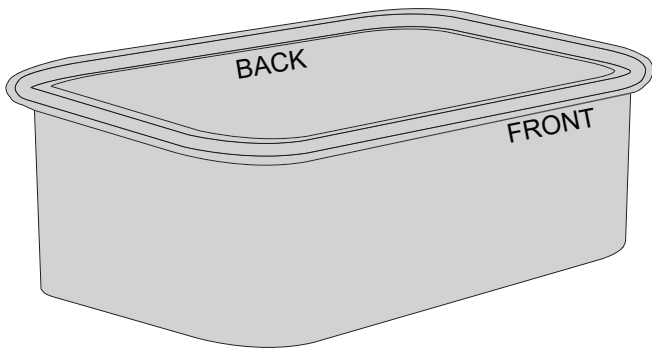
Simply visit our Website, register your product, and add the Extended Warranty

<https://www.deltachildren.com/pages/product-registration>

Extended Warranty only available in the following States: Arkansas, Colorado, Delaware, District of Columbia, Georgia, Idaho, Illinois, Indiana, Iowa, Kansas, Kentucky, Louisiana, Maryland, Michigan, Mississippi, Missouri, Nebraska, Nevada, New Hampshire, New York, North Carolina, North Dakota, Pennsylvania, Rhode Island, South Dakota, Tennessee, Utah, West Virginia

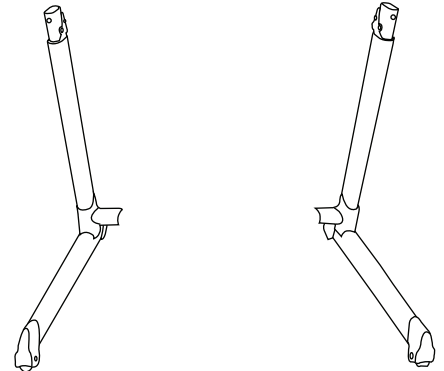
Parts

IMPORTANT! Please remove all parts from the package and identify them before assembly.



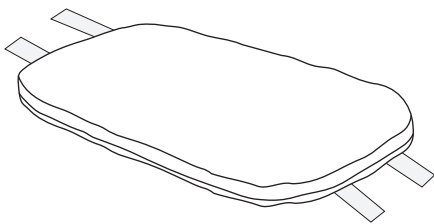
Bassinet Fabric

Side Frame Stands

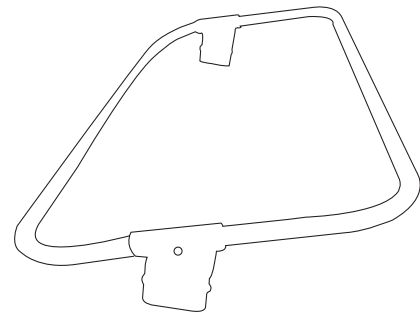


(Left)

(Right)



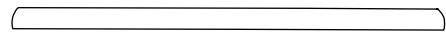
Mattress Support Pad



Top Support Tube

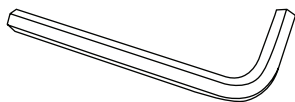


Sheet



Bottom Cross Support Bar

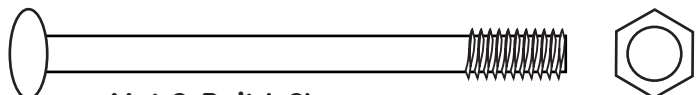
Hardware



Wrench



M8 Screw (x4)



Nut & Bolt (x2)

Assembly

Bassinet Frame Assembly

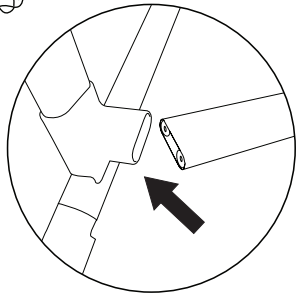
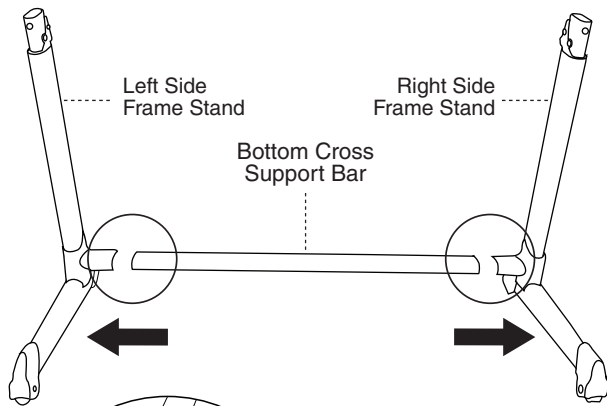


Fig. 1
Insert support bar into side frame stand

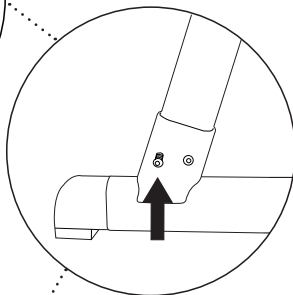


Fig. 1A
Secure side frame stand and support tube with screw

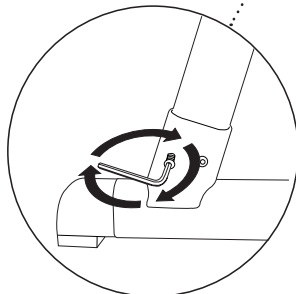


Fig. 1B
Tighten screws with wrench clockwise

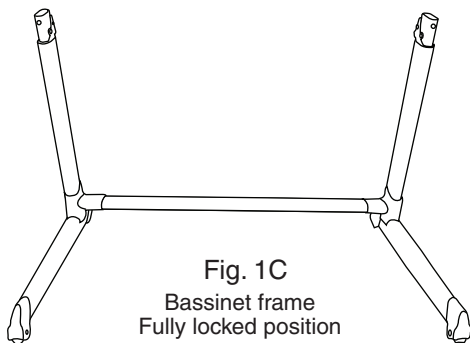


Fig. 1C
Bassinet frame Fully locked position

1

- Insert support bar to the left side frame stand (Fig.1). Secure with the two screws (Fig. 1A). Use the wrench to tighten screws in clockwise direction (Fig. 1B). Repeat for the right side frame stand. Make sure frame is in a fully locked position (Fig. 1C) pull outward on left and right side frames.

Leg Extension

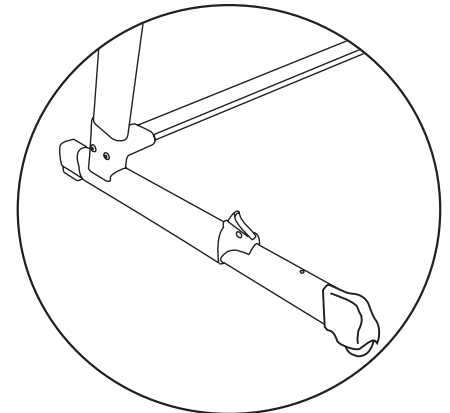
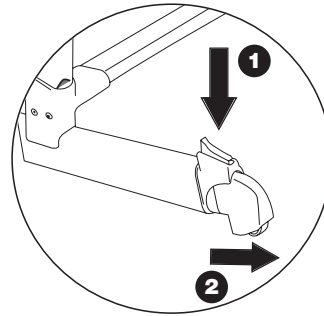


Fig. 2

2

- Fully extend both sides of the bassinet legs by pressing the button located on top of the bassinet legs 1 and pull outward 2 to fully extended position (Fig. 2)

Bassinet Fabric Assembly

STEP 1

Support Tube

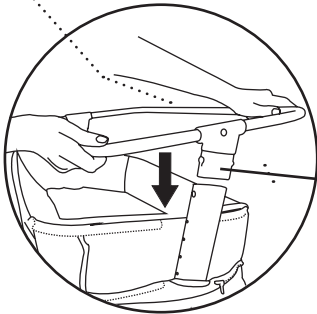


Fig. 3A

Insert both sides of the top support tube into the bassinet frame

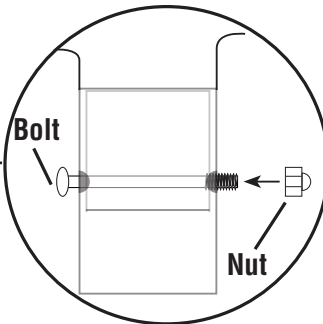
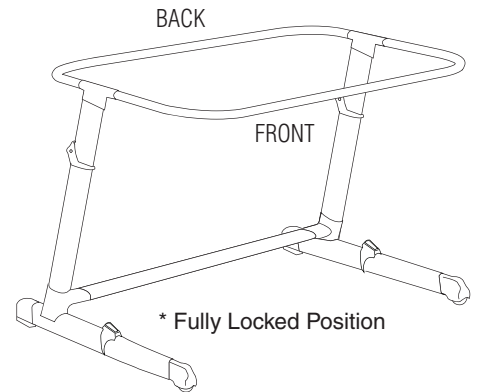
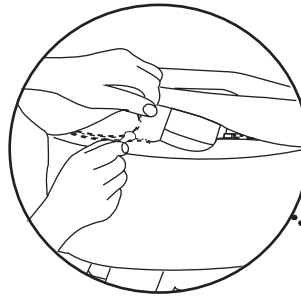
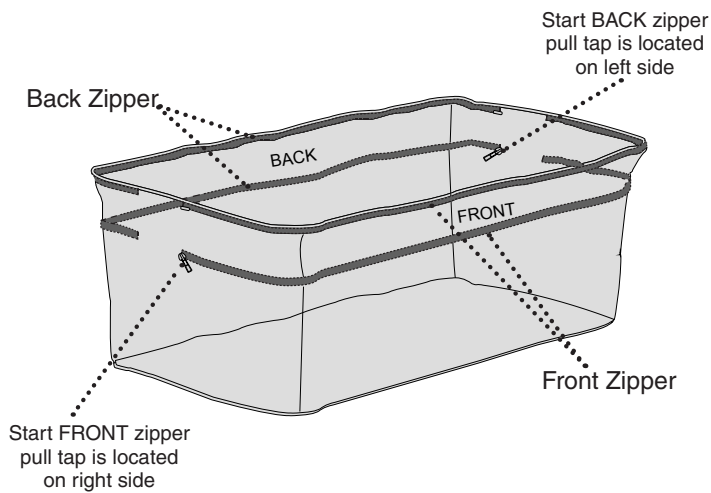


Fig. 3B



STEP 2



Start FRONT zipper pull tap is located on right side

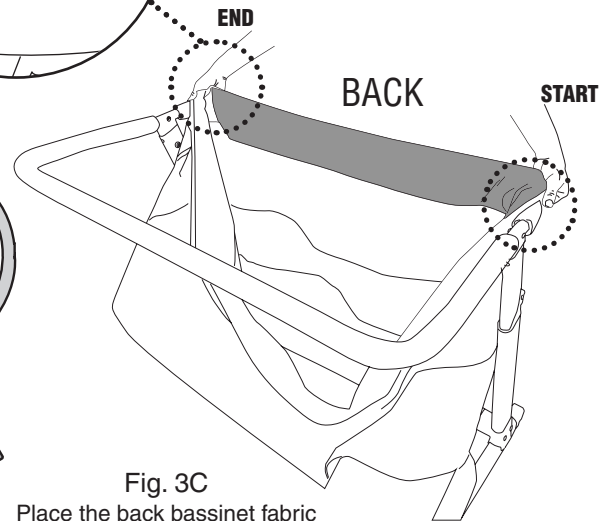
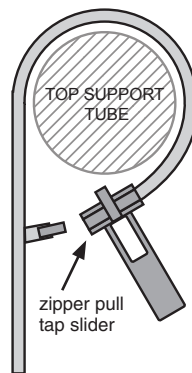


Fig. 3C

Place the back bassinet fabric to the back top support tube

3

STEP 1: Align top back support tube to the side frames. Insert both sides of the top support tube into the bassinet frame (Fig. 3A). Secure by inserting bolt through holes and screwing nut clockwise (Fig. 3B).

STEP 2: Place the back bassinet fabric over the back rail tube. Align and fasten zipper to top rail (Fig. 3C).

NOTE: Zipper pull tab slider located on left side.

Bassinet Fabric Assembly

STEP 3

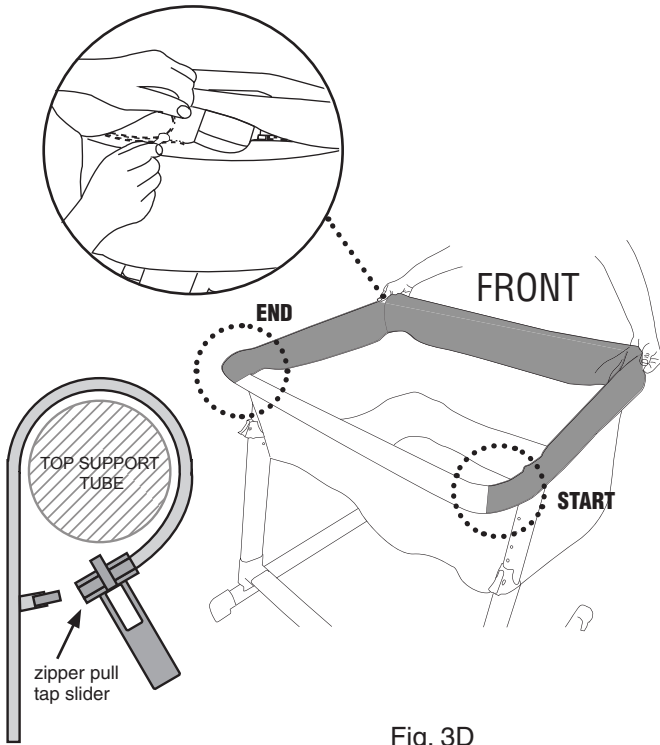


Fig. 3D
Place the front bassinet fabric to the front top support tube

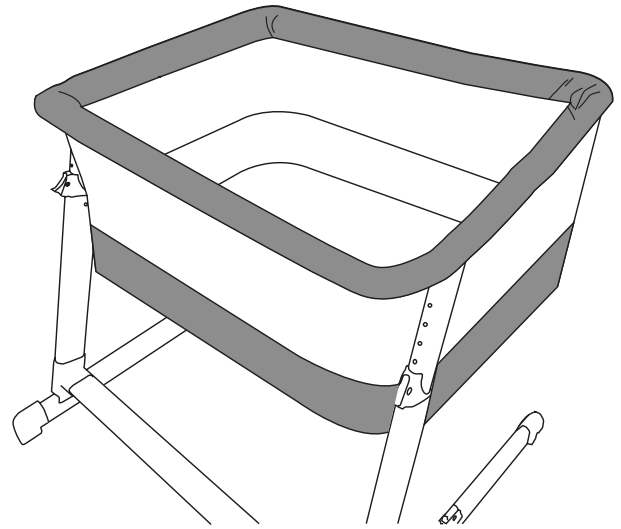
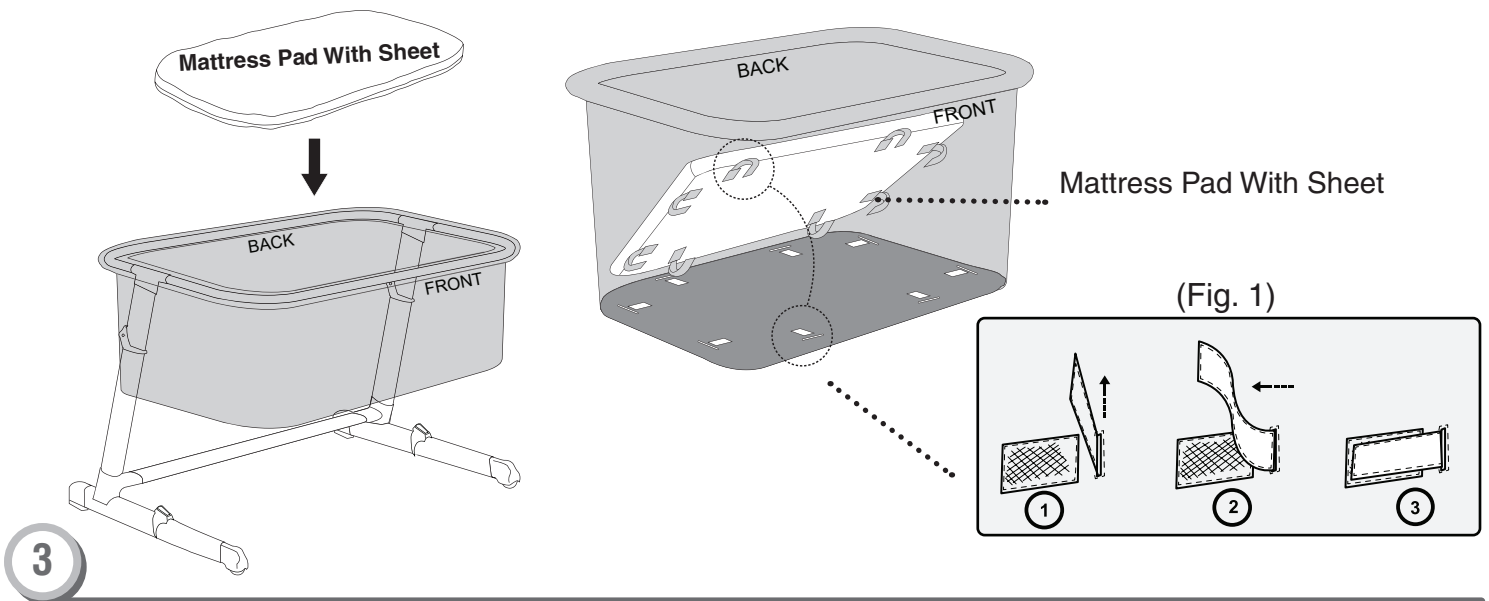


Fig. 3E
Fabric Bassinet Fully Zipped

STEP 4



STEP 3: Place the front bassinet fabric over the front rail tube. Align and fasten zipper to top rail (Fig. 3D) until fully zipped (Fig. 3E)

STEP 4: Place sheet over mattress support pad. Insert mattress support pad to sleeper.

Pull the hook and loop straps through the slots at the bottom of the bassinet floor. Fasten straps as shows in (Fig. 1) underneath.

WARNING: Make sure both hook and loop straps are firmly attached by pulling upward on the mattress

NOTE: The mattress support pad should fully cover the bottom floor. No excess fabric should show on the edges.

Height Adjustment

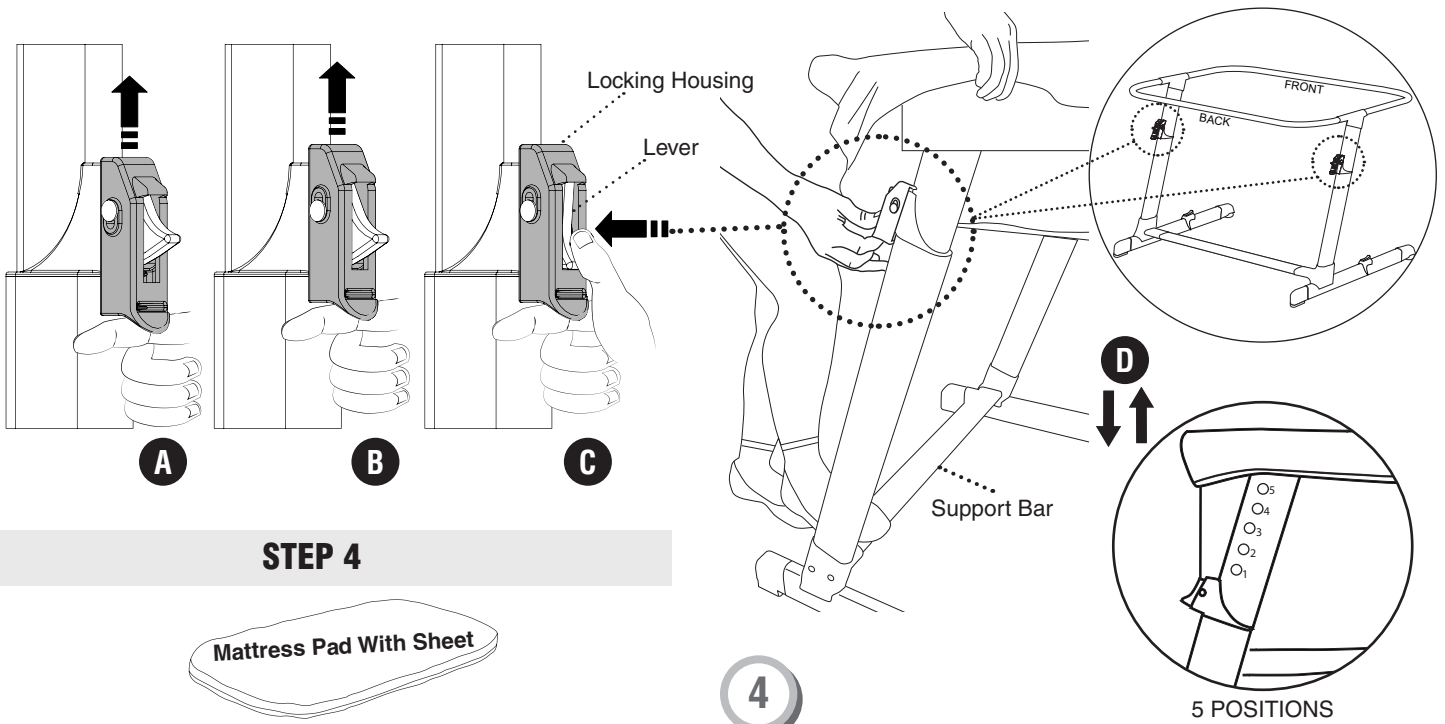
STEP 1

WARNING: NEVER adjust height with baby inside.

NOTE: To adjust up or down you must unlock EACH SIDE separately.



STEP 2 & 3



STEP 4



4

5 POSITIONS

STEP 1: Locate left side locking housing (A), push and hold up from underneath locking housing (B). Then press the lever inward (C) and move top rail up or down into desired position. There are 5 positions total (D).

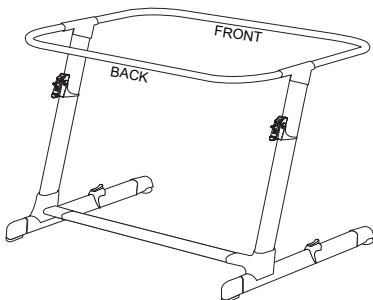
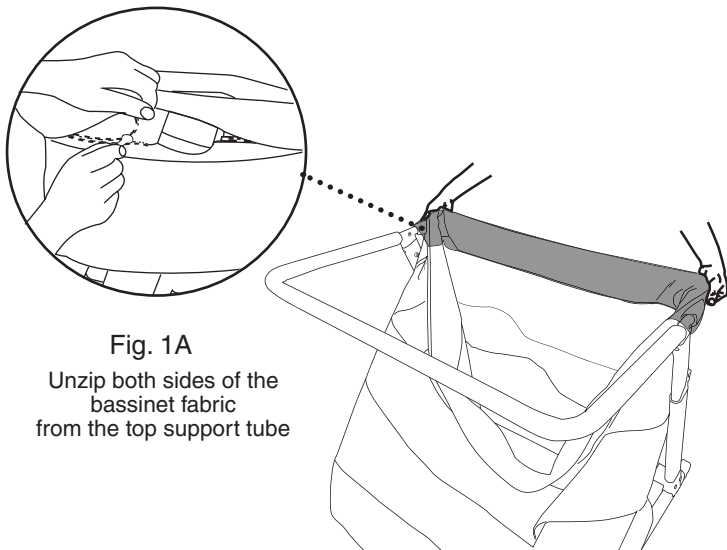
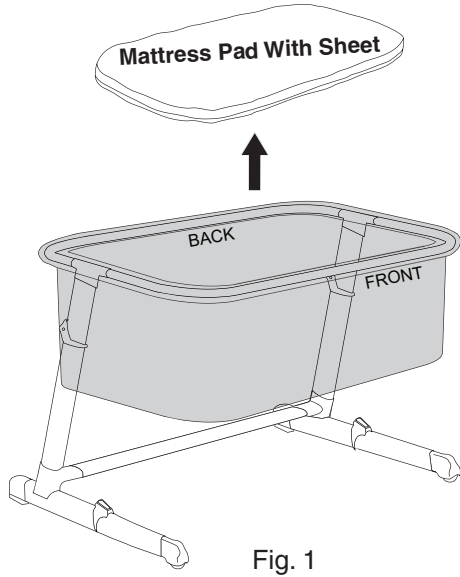
STEP 2: Repeat STEP 1 on the right side.

NOTE: Make sure the bassinet is equally level.

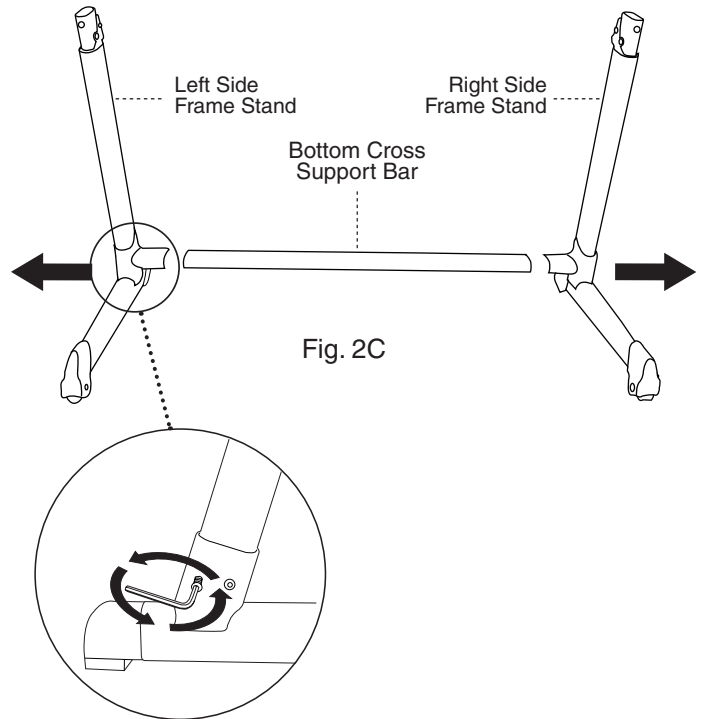
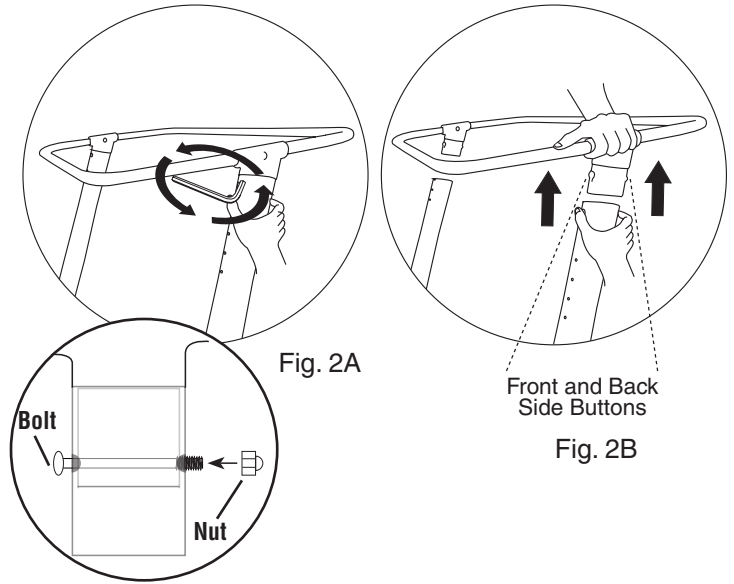
NOTE: The mattress support pad should fully cover the bassinet bottom. No excess fabric should show on the edges.

Disassembly

Removing Fabric



Bassinet Frame Disassembly



1

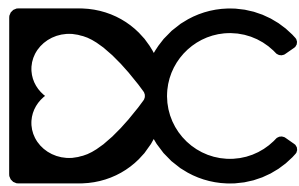
- Remove mattress support pad (Fig. 1)
- Unzip both sides of the bassinet fabric from the top rail (Fig. 1A and Fig. 1B).

2

- Use hex wrench to remove nut & bolt by turning counter-clockwise (Fig. 2A).
- Lift upward to remove. Repeat on opposite side (Fig. 2B).
- Use hex wrench on left and right side frame stands and pull away from bottom cross support bar (Fig. 2C).

Care and Maintenance

- Check bassinet for worn parts, torn material or stitching periodically.
- Replace or repair the parts as needed. Use Delta replacement parts.
- The bassinet fabric cover is machine washable. Wash them separately in cold water on the gentle cycle. Do not use bleach. Tumble dry separately on low heat and remove promptly.
- The frame may be wiped clean using a mild cleaning solution and a damp cloth. Do not use bleach. Do not use harsh or abrasive cleaners. Rinse clean with water to remove residue. Do not immerse the frame.
- Before each usage or assembly, inspect unit for damaged hardware, loose joints, missing parts or sharp edges. NEVER use this product if there are any loose or missing fasteners, loose joints, broken parts, or torn mesh/fabric. Check before assembly and periodically during use. Contact Simmons Customer Service Department at gcs@deltachildren.com for replacement parts, repair or instructions.



DELTACHILDREN

Delta Children's Products Corp.
114 West 26th Street
New York, NY 10001
gcs@DeltaChildren.com
www.DeltaChildren.com

follow us



@deltachildren