

WAVES BASSINET

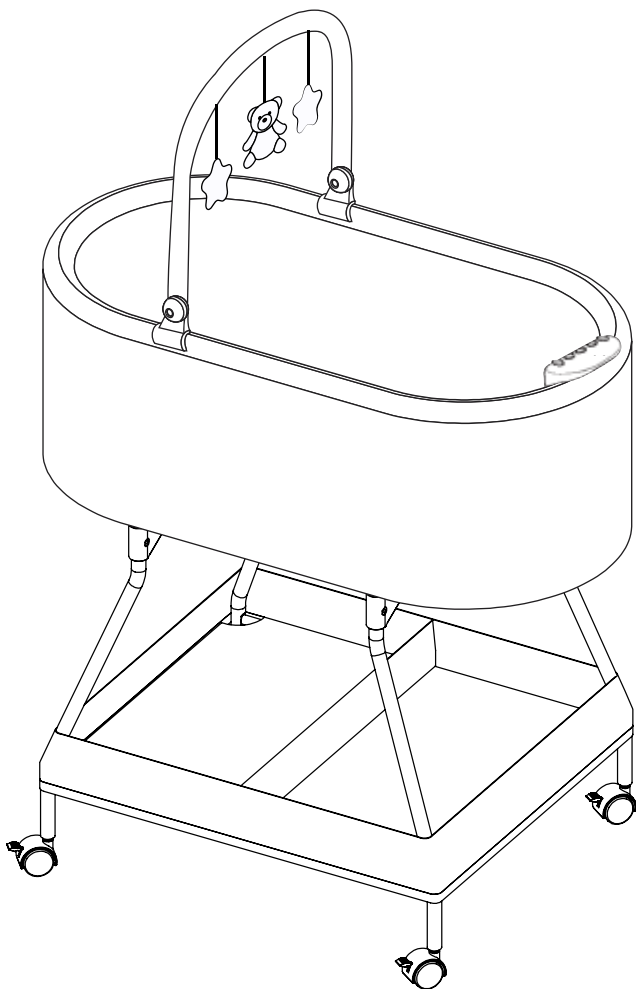
DELTA♥CHILDREN

INSTRUCTION MANUAL

ADULT ASSEMBLY REQUIRED

25033

STYLES AND COLORS MAY VARY



**▲ WARNING:
CHOKING HAZARD**

Adult assembly required because of small parts. Keep assembly parts out of reach of children under 3 years.

Read all instructions BEFORE assembly and USE of product
KEEP INSTRUCTIONS FOR FUTURE USE.

DELTA♥CHILDREN

Customer Experience Center
email: gcs@DeltaChildren.com

www.DeltaChildren.com

DCP-IM-12032020-F1

Consumer Information



WARNING

WARNING: Do not use this bassinet if you cannot exactly follow the accompanying instructions. Failure to follow these warnings and instructions could result in serious injury or death.

- **Read all instructions before assembling unit.**

KEEP INSTRUCTIONS FOR FUTURE USE.

DO NOT USE THIS UNIT IF THE INSTRUCTIONS CANNOT BE STRICTLY FOLLOWED.

- Before each usage or assembly, inspect unit for damaged hardware, loose joints, missing parts or sharp edges.
- **NEVER** use this product if there are any loose or missing fasteners, loose joints, broken parts, or torn mesh/fabric. Check before assembly and periodically during use. Contact Delta Children Customer Service Department at gcs@DeltaChildren.com for replacement parts, repair or instructions.

SUFFOCATION HAZARD: Infants have suffocated:

- On soft bedding.
- In gaps between an extra padding, a mattress (too small or too thick) and product sides.
- Use only the pad provided by the manufacturer that is no thicker than 25 mm (1 in) and is of such a size that, when pushed against any side of the product, it does not leave a gap of more than 25 mm (1 in) between the mattress and sides.
- **NEVER** add a pillow, comforter or another mattress for padding.
- Remove any tools or excess parts including plastic packaging from bassinet vicinity after assembly.
- If a sheet is used with the pad, use only the one provided by the manufacturer or one specifically designed to fit the dimensions of the bassinet/criadle.
- To reduce the risk of SIDS, pediatricians recommend healthy infants be placed on their back to sleep, unless otherwise advised by your physician.
- Never use plastic shipping bags or other plastic film as a mattress covers not sold and intended for that purpose. They can cause suffocation.
- **DO NOT** place bassinet near a window where cords from blinds or drapes may strangle a child. Child may fall out of window.
- **DO NOT** place cords, straps or similar items that could become wound around a child's neck in or near the bassinet.

FALL HAZARD: To help prevent falls, **DO NOT** use this product when the infant begins to push up on hands and knees or has reached manufacturer's recommended maximum weight of 13.6kg (30 lbs), whichever comes first.

- To reduce the risk of SIDS, pediatricians recommend healthy infants be placed on their backs to sleep, unless otherwise advised by your physician.
- Always attach all provided fasteners tightly according to the instructions. Check frequently. Do not use if there are any loose or missing parts or signs of damage. Do not substitute parts. Contact the manufacturer for replacement parts.
- Use bassinet with only one child at a time.
- Strings can cause strangulation! **DO NOT** place items with a string around a child's neck, such as hood strings or pacifier cords. **DO NOT** suspend strings over a product or attach strings to toys.
- Toys are not to be "mouthed" by the baby and should be positioned clearly out of reach of the baby's face and mouth.
- **DO NOT** place medication, small toys, small items, cords, straps or similar items that could become wound around the child's neck in or near this product and do not place product near a window, patio door, heater, or power outlet.



Before returning this product to the store! Let's see if we can assist you!

- **Not sure how to assemble our product?**

Visit our site for easy to follow instructions along with some Tricks and Tips assembly video's
<https://www.deltachildren.com/pages/instructions>

- **If you are missing a piece or have a damaged part**

Please contact our Consumer Experience Center for assistance at gcs@DeltaChildren.com.
To better assist you please have your Style #, Lot # and Manufacturer Date information available along with the part number that you need assistance with.

- **In the event we do not have a replacement part available**

You may need to return your product to the retailer for an exchange or refund.

- **Warranty**

In order to protect your investment, don't forget to register your product.

You may also wish to consider purchasing our extended warranty.

Visit <https://www.deltachildren.com/pages/extended-warranty> for more details.

- **Please note:**

"All Final", "As Is" or Third Party/Liquidator sales are not covered under our Limited Manufacturer Warranty..

DELTA CHILDREN

LIMITED MANUFACTURER WARRANTY

This Delta product is warranted to be free from defects for a period of 90 days from the date of purchase under normal use. This warranty extends only to the original retail purchaser and is valid only when supplied with proof of purchase, or if received as a gift, when the registration is on file with Delta. This limited manufacturer warranty does not cover the following:

- Products purchased as floor models or samples.
- Items purchased on an “as-is” basis, as a second hand product, or as a resale product.
- Items purchased at a Final sale, a “Going out of Business” sale, or a Liquidation sale.

TO REGISTER YOUR PRODUCT for important safety alerts and updates to your product please visit www.deltachildren.com

TO REPORT A PROBLEM, please log on to www.deltachildren.com and click the Consumer Care Tab, or contact us by email at gcs@DeltaChildren.com

Date of Purchase: _____ (you should also keep your receipt)

EXTENDED WARRANTY

DON'T MISS YOUR CHANCE TO BE COVERED FOR ALL OF LIFES MISHAPS!

With Delta's Extended Warranty, you're covered for mechanical failure from normal use or if your item stops working due to normal wear and tear, plus all those unexpected surprises.

2 YEARS OF PROTECTION

For Additional Information:

Simply visit our Website, register your product, and add the Extended Warranty

<https://www.deltachildren.com/pages/product-registration>

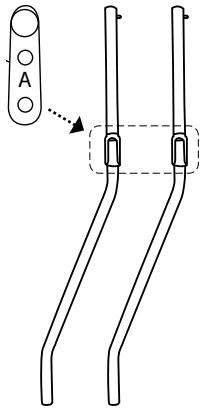
Extended Warranty only available in the following States: Arkansas, Colorado, Delaware, District of Columbia, Georgia, Idaho, Illinois, Indiana, Iowa, Kansas, Kentucky, Louisiana, Maryland, Michigan, Mississippi, Missouri, Nebraska, Nevada, New Hampshire, New York, North Carolina, North Dakota, Pennsylvania, Rhode Island, South Dakota, Tennessee, Utah, West Virginia

Care and Maintenance

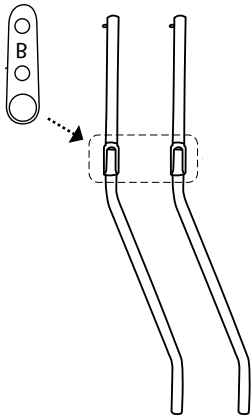
- The frame, mattress pad, storage basket, music module may be wiped clean using a mild cleaning solution and a damp cloth. Do not use bleach. Do not use harsh or abrasive cleaners. Rinse clean with water to remove residue. Do not immerse the frame.
- The sheet is machine washable. Wash it separately in cold water on the gentle cycle. Do not use bleach. Tumble dry separately on low heat and remove promptly.
- Always store product in a clean and dry place.
- Before each usage or assembly, inspect unit for damaged hardware, loose joints, missing parts or sharp edges. NEVER use this product if there are any loose or missing fasteners, loose joints, broken parts, or torn mesh/fabric. Check before assembly and periodically during use. Contact Simmons Customer Service Department at 1-646-435-8726 for replacement parts, repair or instructions.

Parts

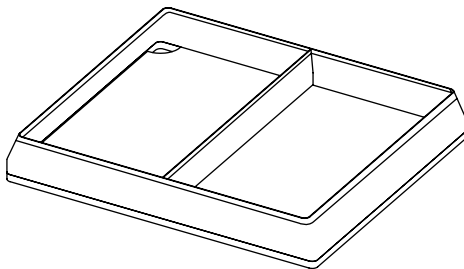
IMPORTANT! Please remove all parts from the package and identify them before assembly.



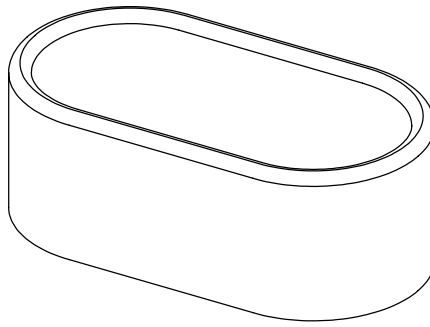
Support Legs (A)



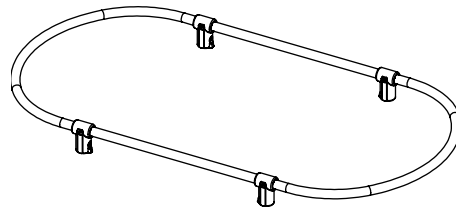
Support Legs (B)



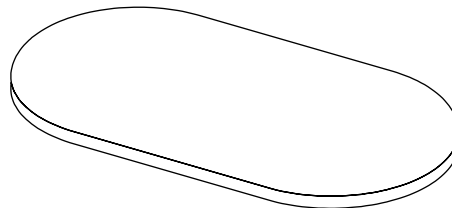
Storage Basket



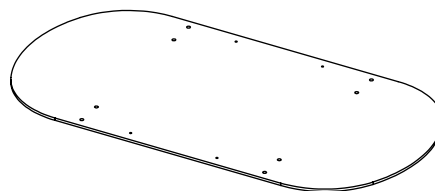
Fabric Liner



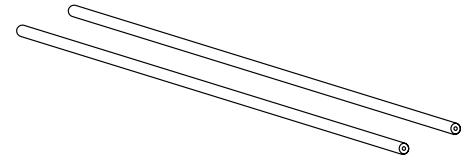
Top Rail Frame



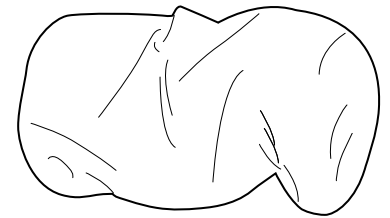
Matress Pad



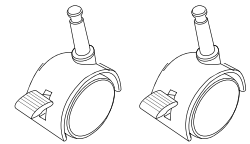
Matress Support



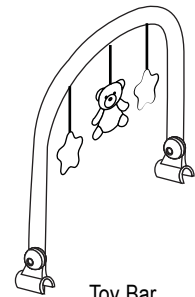
Basket Support Tubes



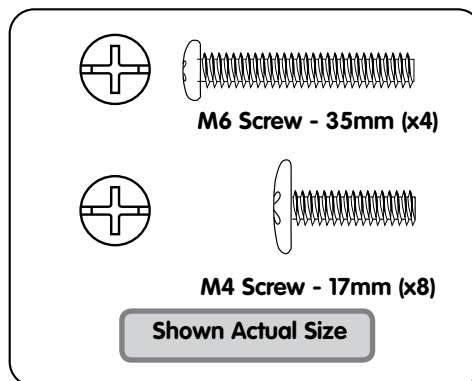
Sheet



Locking Casters (X4)



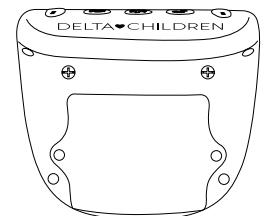
Toy Bar



M6 Screw - 35mm (x4)

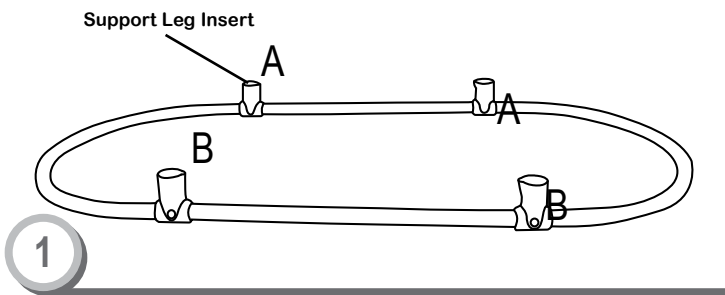
M4 Screw - 17mm (x8)

Shown Actual Size

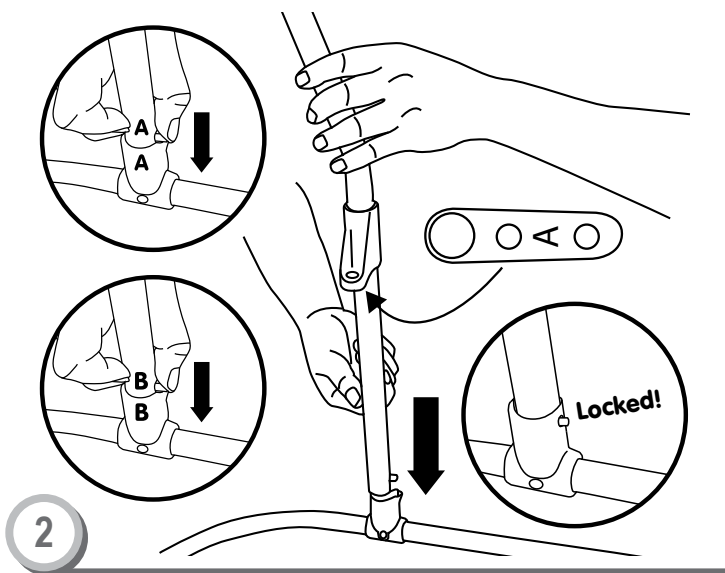


Music Module

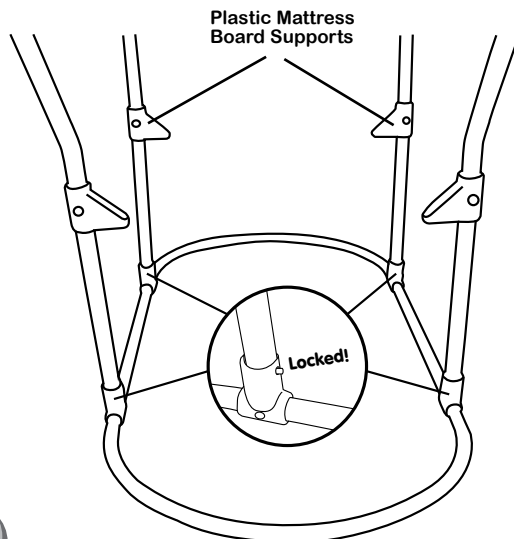
Bassinet Frame Assembly



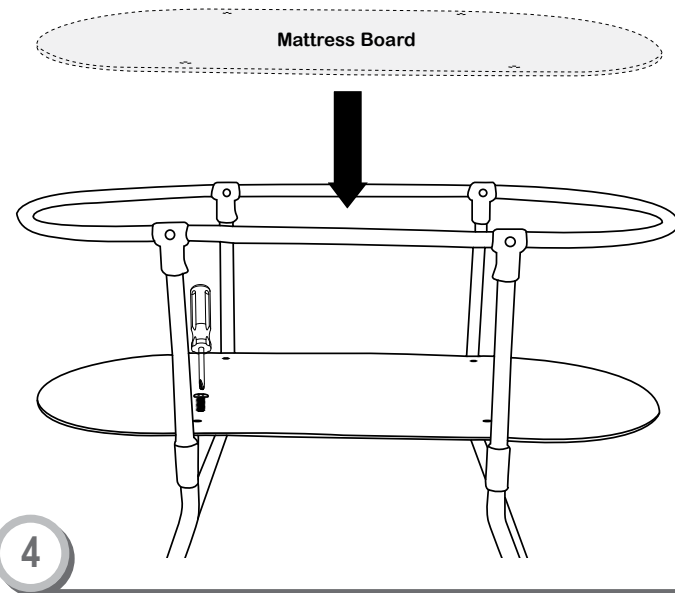
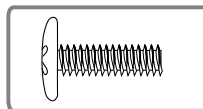
- Locate the top rail frame.
 - Lay the top rail frame on the floor with the support leg inserts facing up.



- Locate the four (4) support legs.
 - Identify support legs labeled "A" and "B".
 - Align leg "A" with leg support insert "A".
 - Insert the support leg into the support leg insert and push the leg down until you hear it "click" into the locked position.
 - Repeat for the other support leg "A" and two support legs "B".

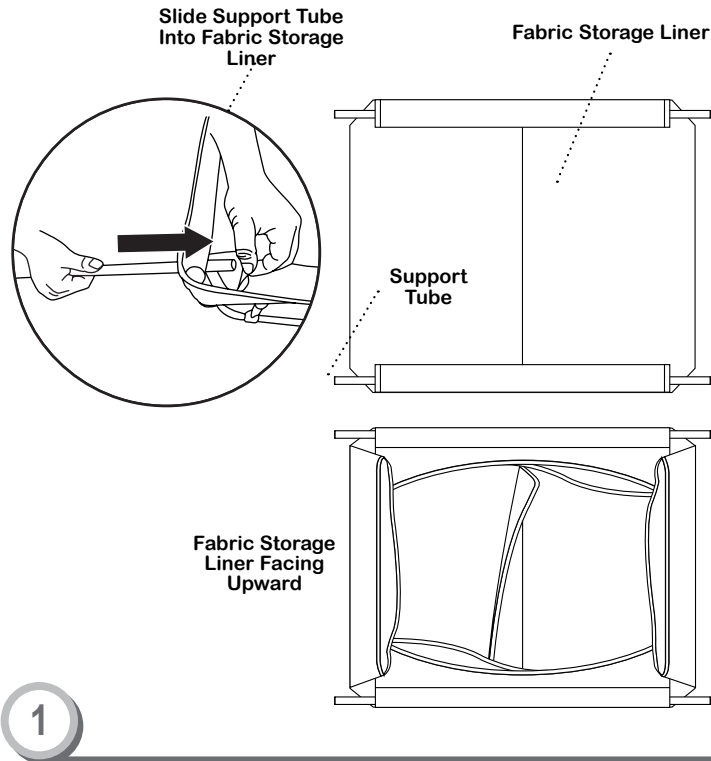


- Make sure all plastic mattress board supports are facing inward.
 - Confirm that all four support legs have been properly inserted into the support leg inserts as shown above.
 - Pull upon all support legs to assure they are properly locked to the top frame.

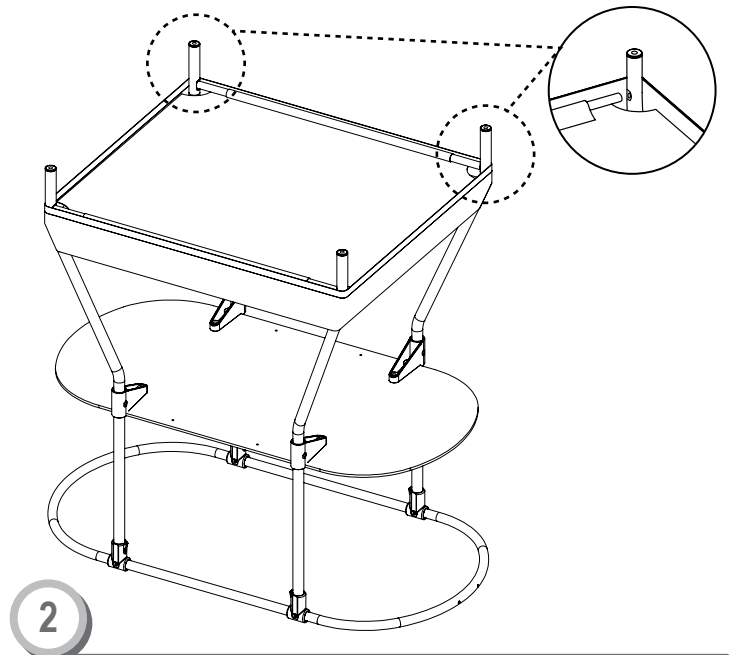


- Locate the mattress board and eight (x8) M4 screws.
 - Place the mattress board into the frame lining up the four through holes with the plastic mattress board support nuts.
 - Using a screw driver and four (x4) M4 screws, tighten the mattress board onto the plastic mattress board supports.
 - Repeat this procedure for the four (x4) remaining screw holes.

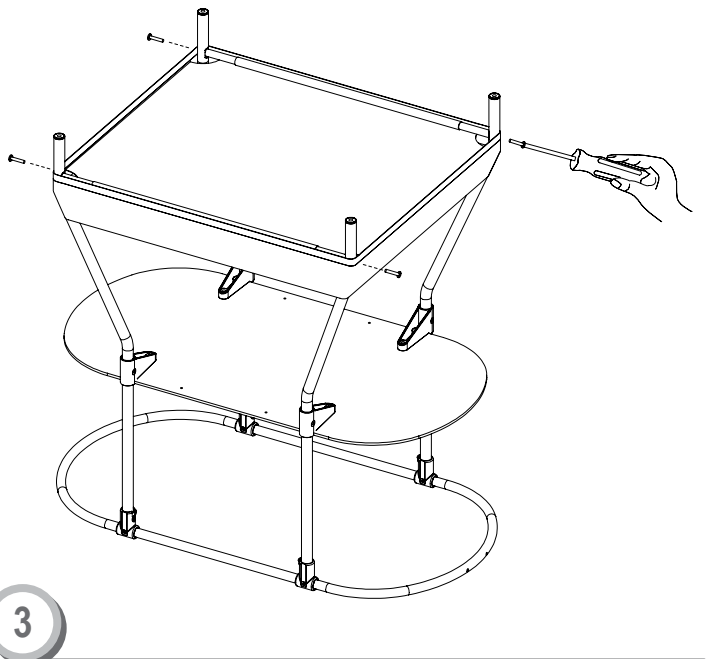
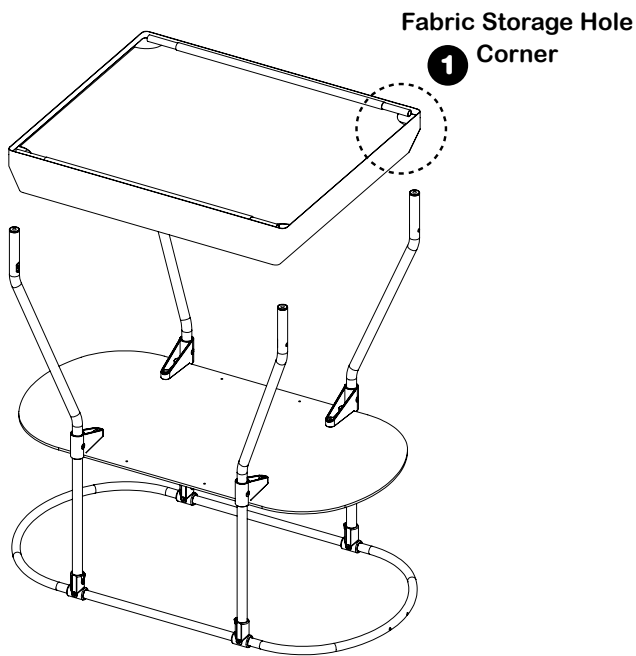
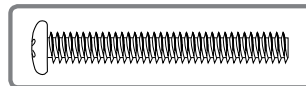
Storage Basket & Casters Assembly



- Locate the two (x2) support tubes, and the fabric storage liner.
- Slide the support tubes into fabric storage liner on both sides.
- Flip over the fabric storage liner with support tubes, facing upward.

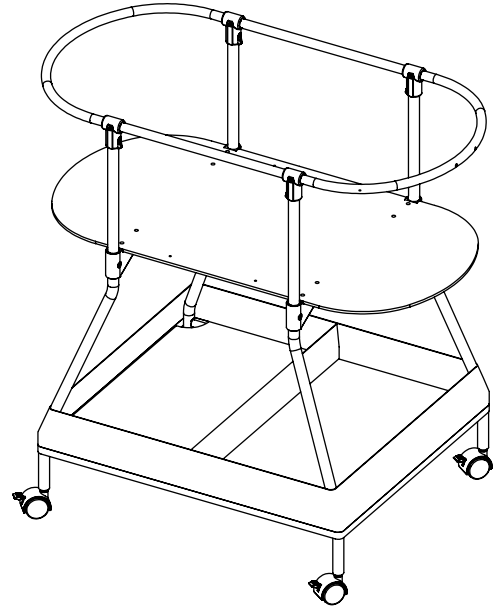
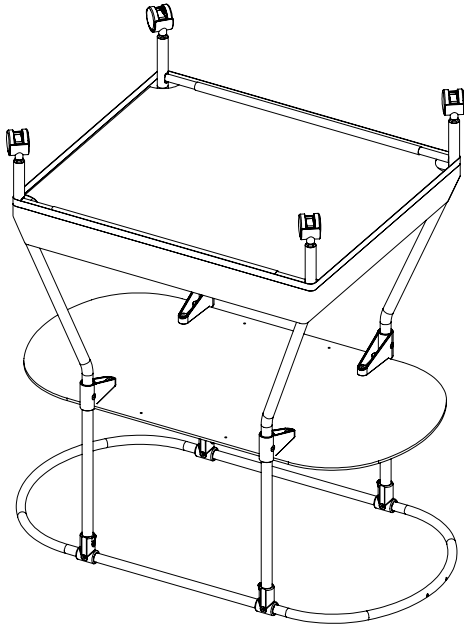
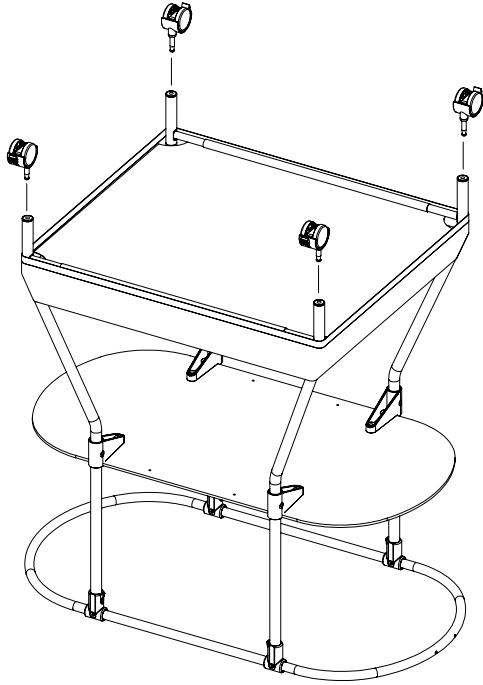


- Align storage basket to bottom base legs.
- Insert each end of the support tubes to the entry hole of the base legs.



- Locate the four (x4) M6 screws and a Phillips screwdriver
 - Insert the (x4) M6 screws on both sides of the legs and use a Phillips screwdriver to tighten both screws on both sides.
- NOTE: Pull side support tube to make sure it's fully fastened.

Storage Basket & Locking Casters Assembly

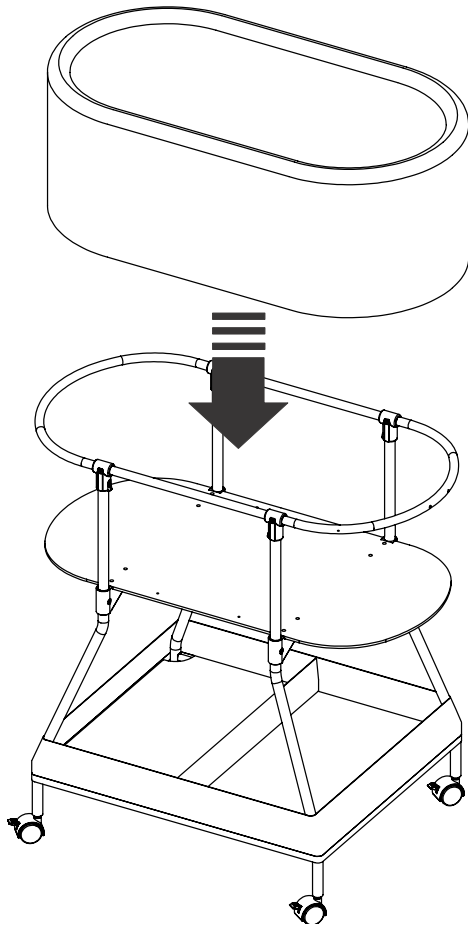


*Once casters are assembled,
turn the assembly bassinet upright.

4

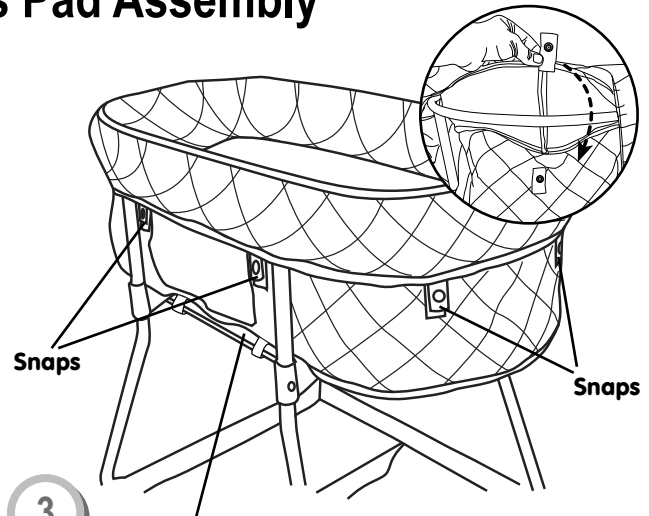
- Locate the four (x4) locking casters and insert into the bottom leg joints of the front base leg.
- Insert the casters into the base legs. Push down until you hear the caster "CLICK" into place.
- Pull upward on the caster to assure it is properly attached to the bassinet.

Fabric & Mattress Pad Assembly



1

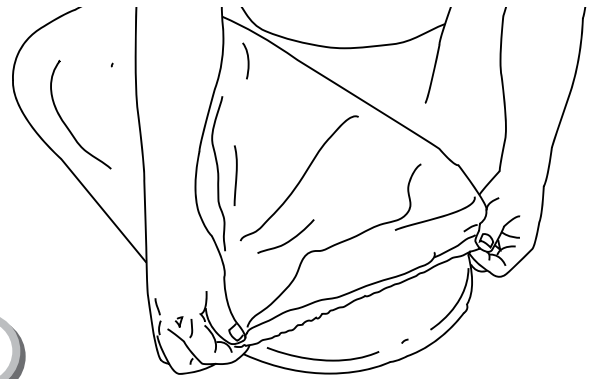
- Place the liner onto frame.



3

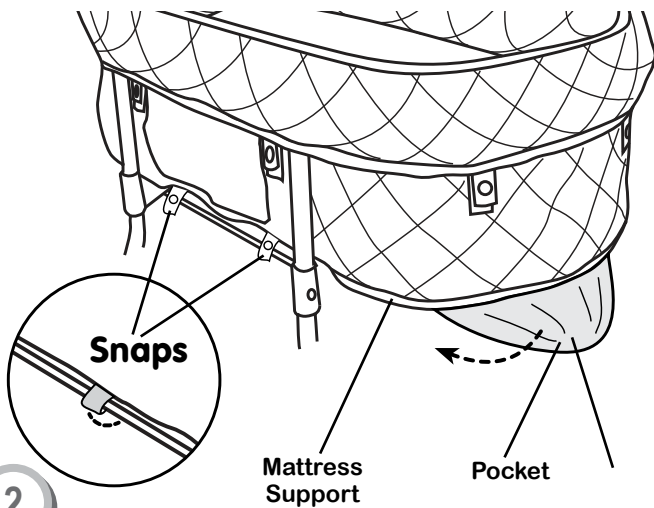
Mattress Support

- Lift the skirt on the liner. Snap all 4 straps around the top of the side of the frame.
- Repeat this procedure to snap the other 4 straps around the top of the frame.



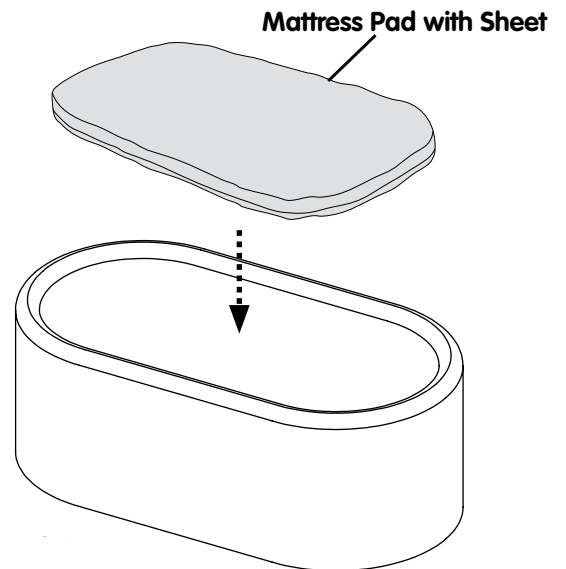
4

- Place the sheet over the mattress pad.



2

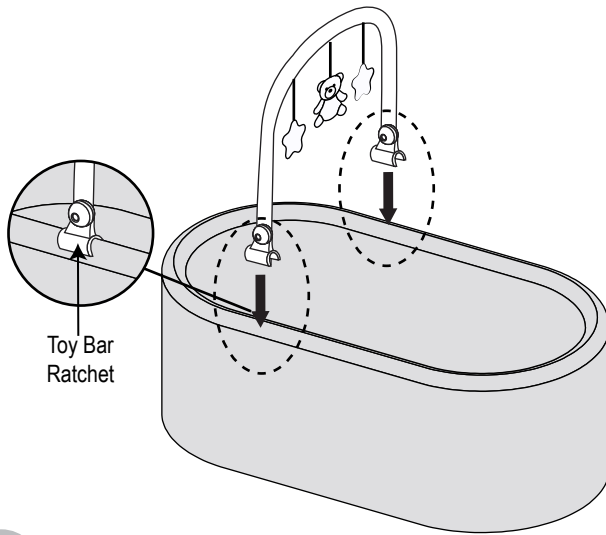
- Stretch the pockets bottom of the liner around the ends of the mattress support.



5

- Please place the mattress pad with sheet inside the bassinet for the safety and comfort of your baby.

Toy Bar Assembly

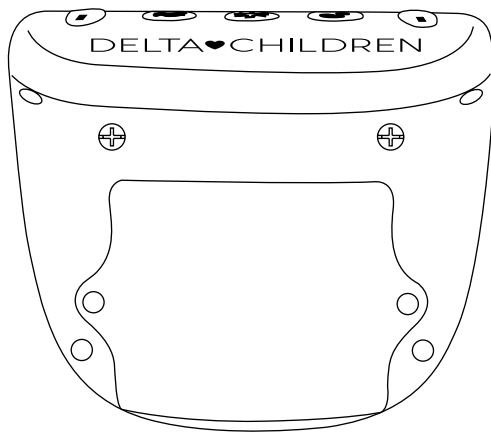


1

ATTACHING TOY BAR

- Position the toy bar over the top end of the bassinet opposite the warning label.
- Push the toy bar ratchet over the frame on both sides of the bassinet.

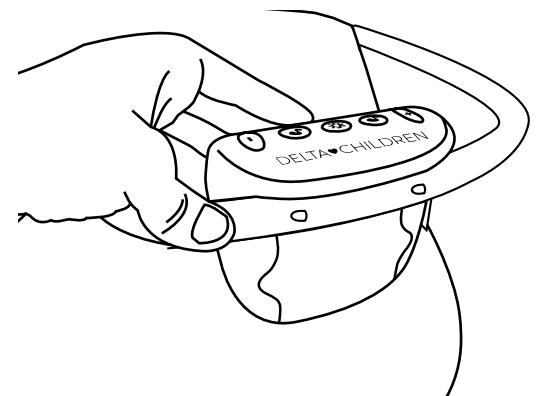
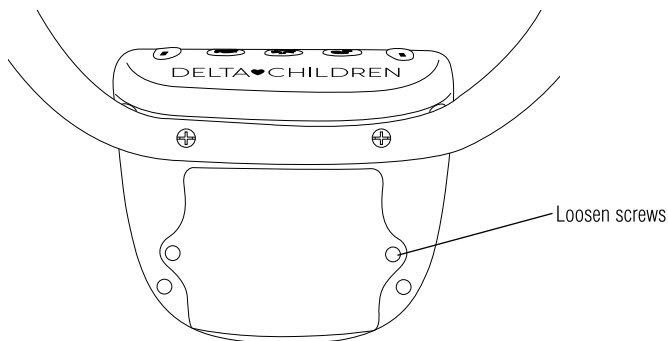
Battery Safety Information



In exceptional circumstances, batteries may leak fluids that can cause a chemical burn injury or ruin your product. To avoid battery leakage:

- Do not mix old and new batteries or batteries of different types: alkaline, standard (carbon-zinc) or rechargeable (nickel-cadmium).
- Insert batteries as indicated inside the battery compartment.
- Remove batteries during long periods of non-use. Always remove exhausted batteries from the product. Dispose of batteries safely.
- Never short-circuit the battery terminals.
- Use only batteries of the same or equivalent type, as recommended.
- Do not charge non-rechargeable batteries.
- Remove rechargeable batteries from the product before charging.
- If removable, rechargeable batteries are used, they are only to be charged under adult supervision.
- When discarding batteries, be sure to dispose of them in the proper manner, according to your state and local regulations.

Attaching Music Module

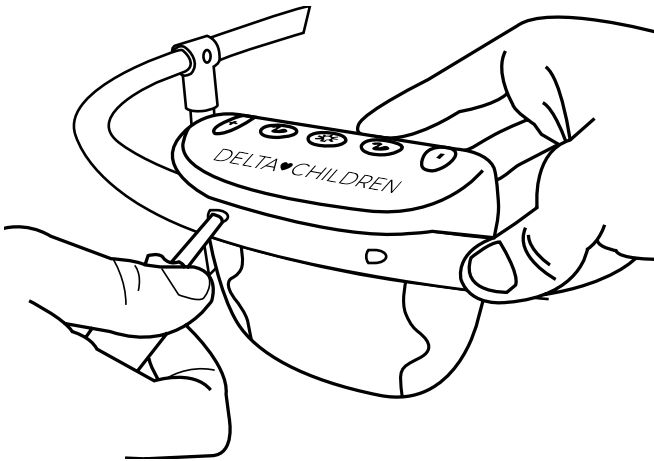


1. Locate battery Compartment on the front of music module. Loosen screw in Battery Compartment with Phillips Head screwdriver.
- Lift to remove door. Insert four (4) "AA" alkaline batteries.
- Replace door and tighten screw.

2. To attach Music Module, remove the screws and line up music module to screw holes on front mattress support frame.

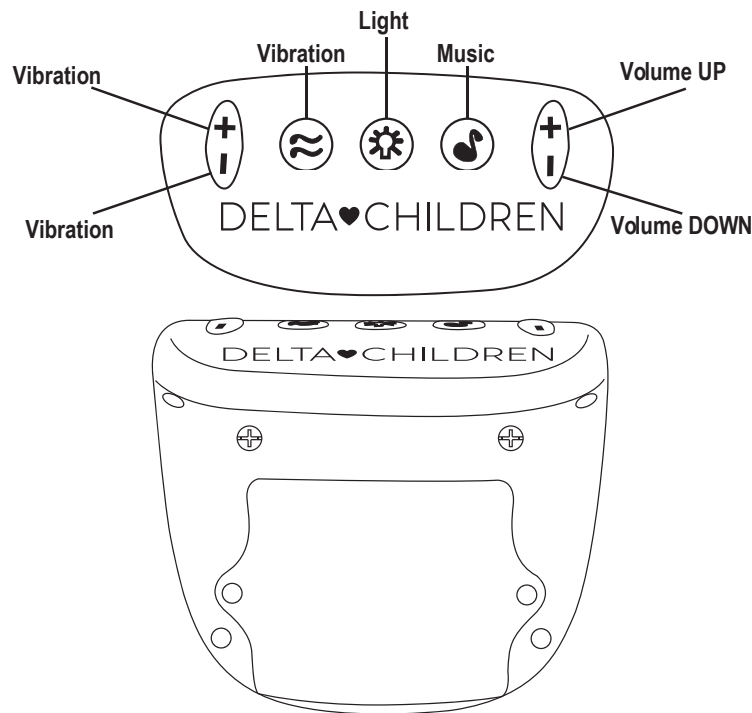
HINT: We recommend using alkaline batteries for longer battery life.


Attaching Music Module



3. Position Music Module onto mattress support frame and screw module to frame.

Music Module Operation



- Activate bassinet light by pressing LIGHT button  on the top of the music module.
NOTE: Light will stay on in (5 minute) cycles, unless button is pressed before (5 minute) are up.
- Press MUSIC button (🎵) on top of the music module to activate MUSIC. Press button multiple times to cycle through three (3) music melodies.
- Volume can be adjusted with UP/DOWN buttons on the top of the music module.

DELTA♥CHILDREN

Delta Children's Products Corp.
114 West 26th Street
New York, NY 10001
gcs@DeltaChildren.com
www.DeltaChildren.com