

# Delta SmartSleep Bassinet with Bluetooth

DELTA♥CHILDREN  
CONNECT  
BLUETOOTH

## INSTRUCTION MANUAL

ADULT ASSEMBLY REQUIRED

**25031**

STYLES AND COLORS MAY VARY



**▲ WARNING:  
CHOKING HAZARD**

Adult assembly required because of small parts. Keep assembly parts out of reach of children under 3 years.

Read all instructions BEFORE assembly and USE of product  
KEEP INSTRUCTIONS FOR FUTURE USE.

Customer Experience Center  
email: [gcs@DeltaChildren.com](mailto:gcs@DeltaChildren.com)

DELTA♥CHILDREN

[www.DeltaChildren.com](http://www.DeltaChildren.com)

DCP-IM-03172021-F1

# Consumer Information



## WARNING

**WARNING:** Do not use this bassinet if you cannot exactly follow the accompanying instructions. Failure to follow these warnings and instructions could result in serious injury or death.

- **Read all instructions before assembling unit.**

**KEEP INSTRUCTIONS FOR FUTURE USE.**

**DO NOT USE THIS UNIT IF THE INSTRUCTIONS CANNOT BE STRICTLY FOLLOWED.**

- Before each usage or assembly, inspect unit for damaged hardware, loose joints, missing parts or sharp edges.
- **NEVER** use this product if there are any loose or missing fasteners, loose joints, broken parts, or torn mesh/fabric. Check before assembly and periodically during use. Contact Delta Children Customer Service Department at [gcs@DeltaChildren.com](mailto:gcs@DeltaChildren.com) for replacement parts, repair or instructions.

**SUFFOCATION HAZARD: Infants have suffocated:**

- On soft bedding.
- In gaps between an extra padding, a mattress (too small or too thick) and product sides.
- Use only the pad provided by the manufacturer that is no thicker than 25 mm (1 in) and is of such a size that, when pushed against any side of the product, it does not leave a gap of more than 25 mm (1 in) between the mattress and sides.
- **NEVER** add a pillow, comforter or another mattress for padding.
- Remove any tools or excess parts including plastic packaging from bassinet vicinity after assembly.
- If a sheet is used with the pad, use only the one provided by the manufacturer or one specifically designed to fit the dimensions of the bassinet/crib.
- To reduce the risk of SIDS, pediatricians recommend healthy infants be placed on their back to sleep, unless otherwise advised by your physician.
- Never use plastic shipping bags or other plastic film as a mattress covers not sold and intended for that purpose. They can cause suffocation.
- **DO NOT** place bassinet near a window where cords from blinds or drapes may strangle a child. Child may fall out of window.
- **DO NOT** place cords, straps or similar items that could become wound around a child's neck in or near the bassinet.

**FALL HAZARD:** To help prevent falls, **DO NOT** use this product when the infant begins to push up on hands and knees or has reached manufacturer's recommended maximum weight of 13.6kg (30 lbs), whichever comes first.

- To reduce the risk of SIDS, pediatricians recommend healthy infants be placed on their backs to sleep, unless otherwise advised by your physician.
- Always attach all provided fasteners tightly according to the instructions. Check frequently. Do not use if there are any loose or missing parts or signs of damage. Do not substitute parts. Contact the manufacturer for replacement parts.
- Use bassinet with only one child at a time.
- Strings can cause strangulation! **DO NOT** place items with a string around a child's neck, such as hood strings or pacifier cords. **DO NOT** suspend strings over a product or attach strings to toys.
- Toys are not to be "mouthed" by the baby and should be positioned clearly out of reach of the baby's face and mouth.
- **DO NOT** place medication, small toys, small items, cords, straps or similar items that could become wound around the child's neck in or near this product and do not place product near a window, patio door, heater, or power outlet.



## **Before returning this product to the store! Let's see if we can assist you!**

- **Not sure how to assemble our product?**

Visit our site for easy to follow instructions along with some Tricks and Tips assembly video's  
<https://www.deltachildren.com/pages/instructions>

- **If you are missing a piece or have a damaged part**

Please contact our Consumer Experience Center for assistance at [gcs@DeltaChildren.com](mailto:gcs@DeltaChildren.com).  
To better assist you please have your Style #, Lot # and Manufacturer Date information available along with the part number that you need assistance with.

- **In the event we do not have a replacement part available**

You may need to return your product to the retailer for an exchange or refund.

- **Warranty**

In order to protect your investment, don't forget to register your product.  
You may also wish to consider purchasing our extended warranty.  
Visit <https://www.deltachildren.com/pages/extended-warranty> for more details.

- **Please note:**

"All Final", "As Is" or Third Party/Liquidator sales are not covered under our Limited Manufacturer Warranty..

# DELTA CHILDREN

## LIMITED MANUFACTURER WARRANTY

This Delta product is warranted to be free from defects for a period of 90 days from the date of purchase under normal use. This warranty extends only to the original retail purchaser and is valid only when supplied with proof of purchase, or if received as a gift, when the registration is on file with Delta. This limited manufacturer warranty does not cover the following:

- Products purchased as floor models or samples.
- Items purchased on an “as-is” basis, as a second hand product, or as a resale product.
- Items purchased at a Final sale, a “Going out of Business” sale, or a Liquidation sale.

**TO REGISTER YOUR PRODUCT** for important safety alerts and updates to your product please visit [www.deltachildren.com](http://www.deltachildren.com)

**TO REPORT A PROBLEM**, please log on to [www.deltachildren.com](http://www.deltachildren.com) and click the Consumer Care Tab, or contact us by email at [gcs@DeltaChildren.com](mailto:gcs@DeltaChildren.com)

Date of Purchase: \_\_\_\_\_ (you should also keep your receipt)

## EXTENDED WARRANTY

**DON'T MISS YOUR CHANCE TO BE COVERED FOR ALL OF LIFES MISHAPS!**

With Delta's Extended Warranty, you're covered for mechanical failure from normal use or if your item stops working due to normal wear and tear, plus all those unexpected surprises.

## 2 YEARS OF PROTECTION

**For Additional Information:**

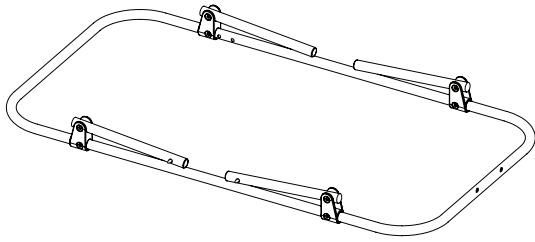
**Simply visit our Website, register your product, and add the Extended Warranty**

**<https://www.deltachildren.com/pages/product-registration>**

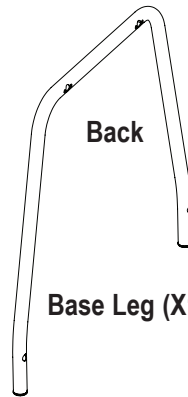
Extended Warranty only available in the following States: Arkansas, Colorado, Delaware, District of Columbia, Georgia, Idaho, Illinois, Indiana, Iowa, Kansas, Kentucky, Louisiana, Maryland, Michigan, Mississippi, Missouri, Nebraska, Nevada, New Hampshire, New York, North Carolina, North Dakota, Pennsylvania, Rhode Island, South Dakota, Tennessee, Utah, West Virginia

# PARTS

IMPORTANT! Please remove all parts from the package and identify them before assembly.

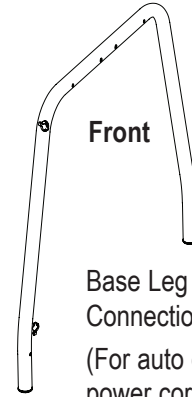


Frame



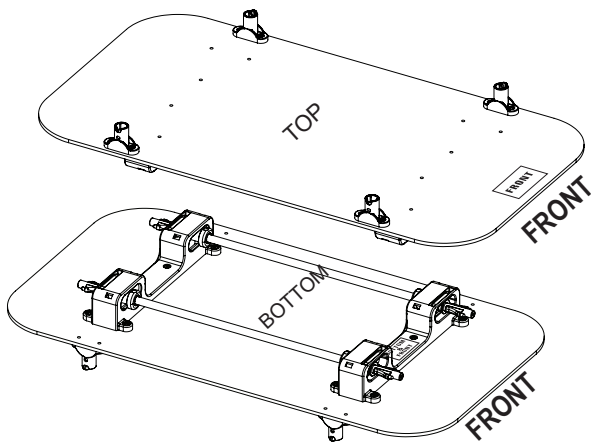
Back

Base Leg (X1)

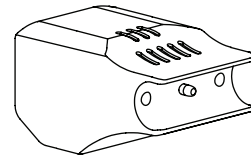


Front

Base Leg with Wire Connection (X1)  
(For auto glide and power cord attachment)

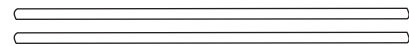


Mattress Support Board

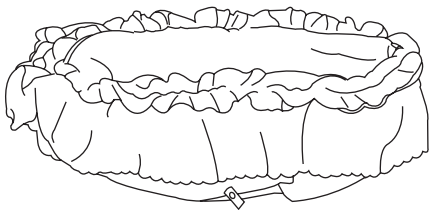


Auto-Glide Housing (X1)

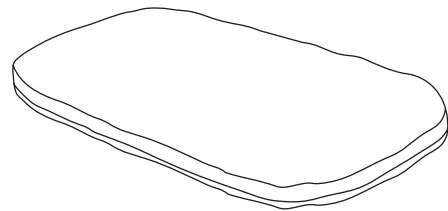
(Needs 2 - M6 - 3.5cm - screws to attach to front base leg with wire connection)



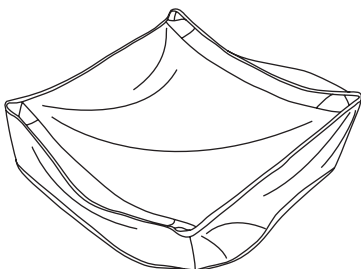
Support Tubes (X2)



Fabric Liner



Mattress Pad



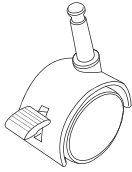
Fabric Storage Liner



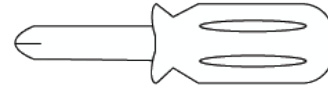
Sheet

# PARTS

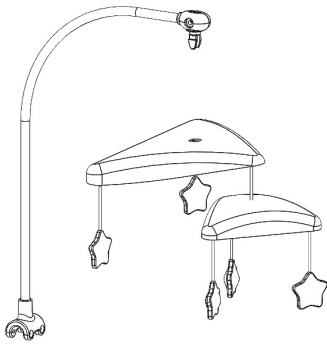
IMPORTANT! Please remove all parts from the package and identify them before assembly.



Locking Casters (X4)



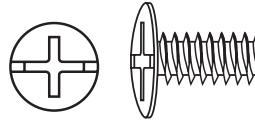
Phillips Screwdriver  
(NOT INCLUDED)



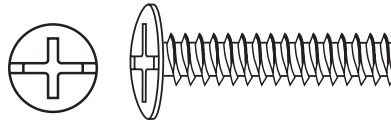
Mobile Arm & Toys

## Hardware

\*Screws are shown in actual size - 12 total screws



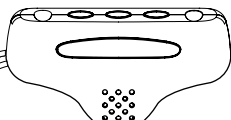
M6 - 1.7cm x 8pcs



M6 - 3.5cm x 2pcs  
(Used for power housing assembly)



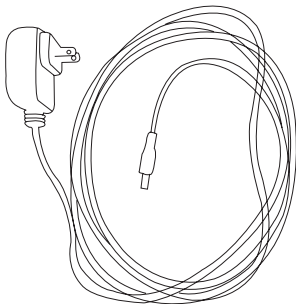
M5 - 2.1cm x 2pcs  
(Used for mobile arm assembly)



Music Module  
(BLUETOOTH)

**WIRE 1**  
Auto Glide  
SMALL PLUG

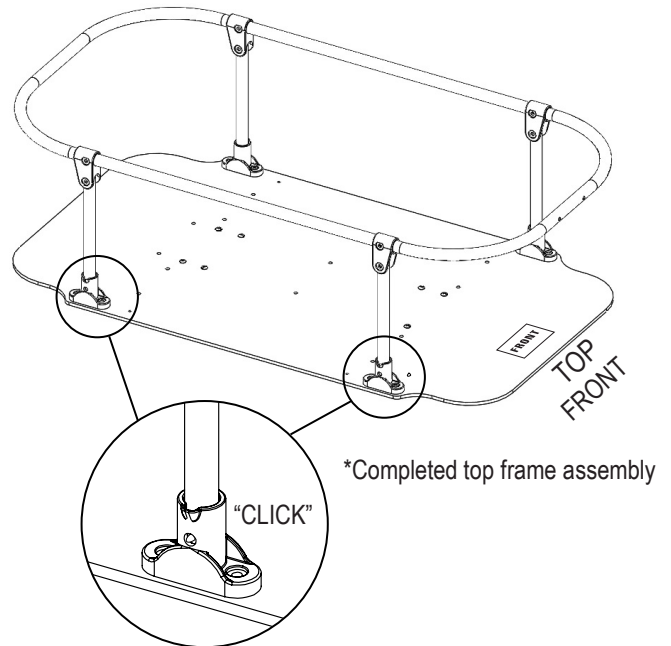
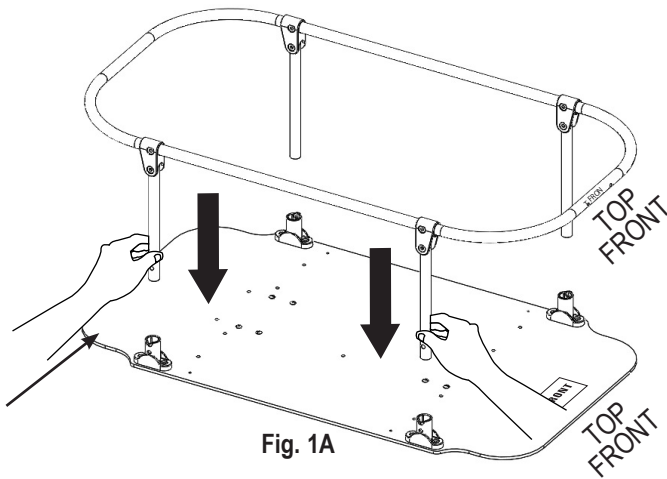
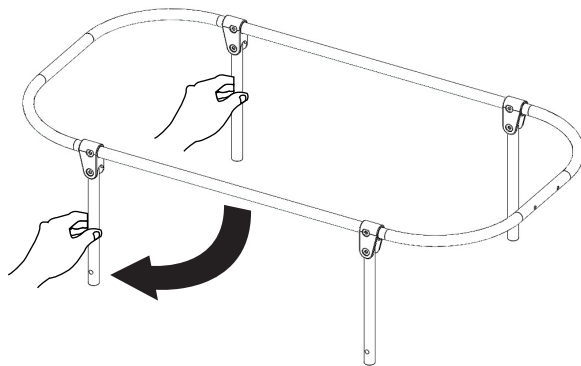
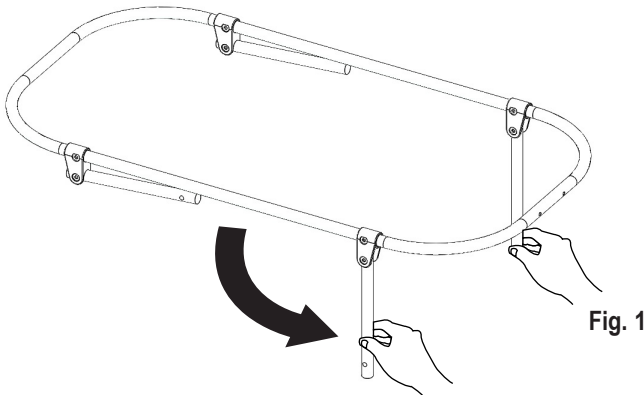
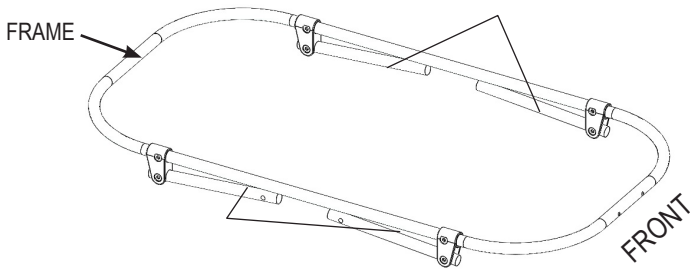
**WIRE 2**  
Top Front Base Leg  
LARGE PLUG



Power Cord

# TOP FRAME ASSEMBLY

NOTE: You may need the help of another adult for assembly.



1

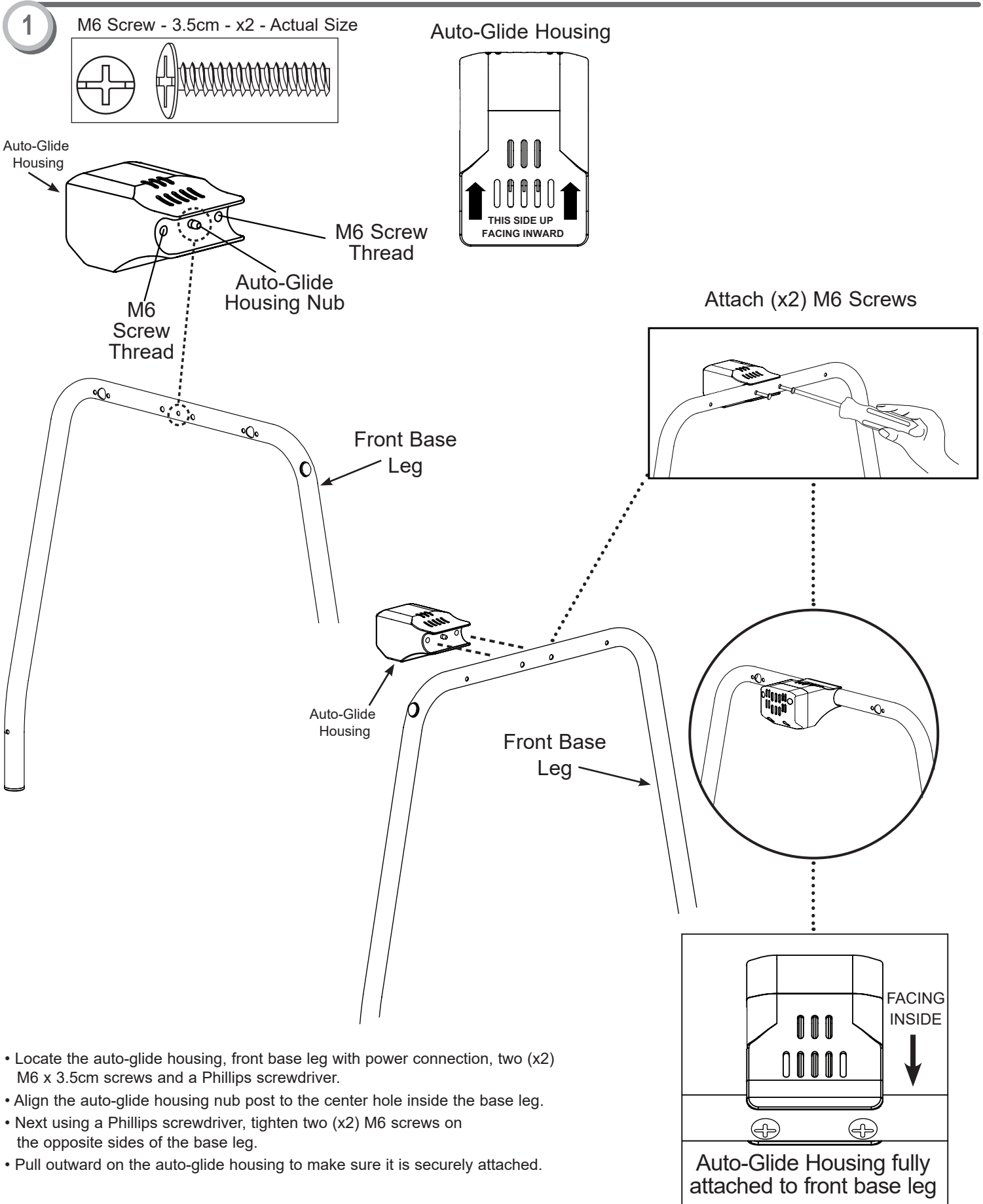
## ATTACHING FRAME TO MATTRESS BOARD

- Place the frame on a flat surface and extend the support legs out (Fig. 1).
- Locate the mattress support board and align the front of frame to top of support board front (Fig. 1A).
- Align and insert the (4) support legs into the (4) support board housings until they "click" in place (Fig. 1B).

NOTE: Pull upward to make sure support legs are fully locked.

NOTE: Make sure front of frame is aligned with top front mattress support.

# Attaching Power Housing to Front Base Leg

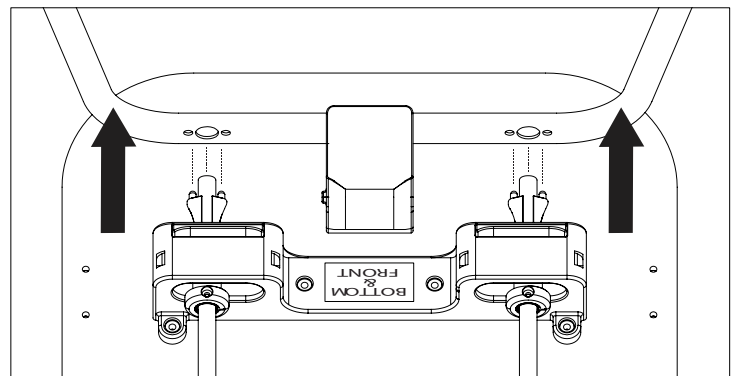
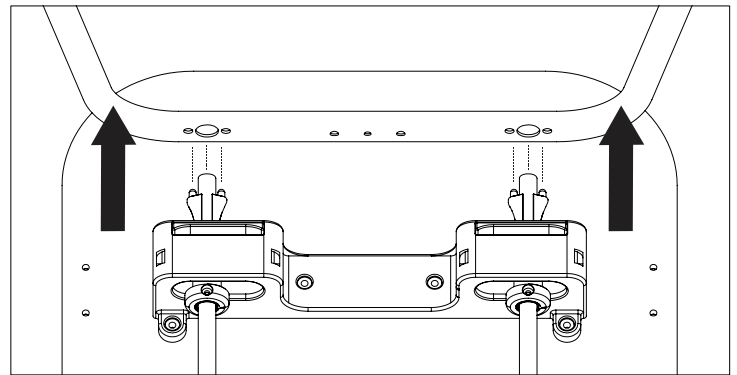
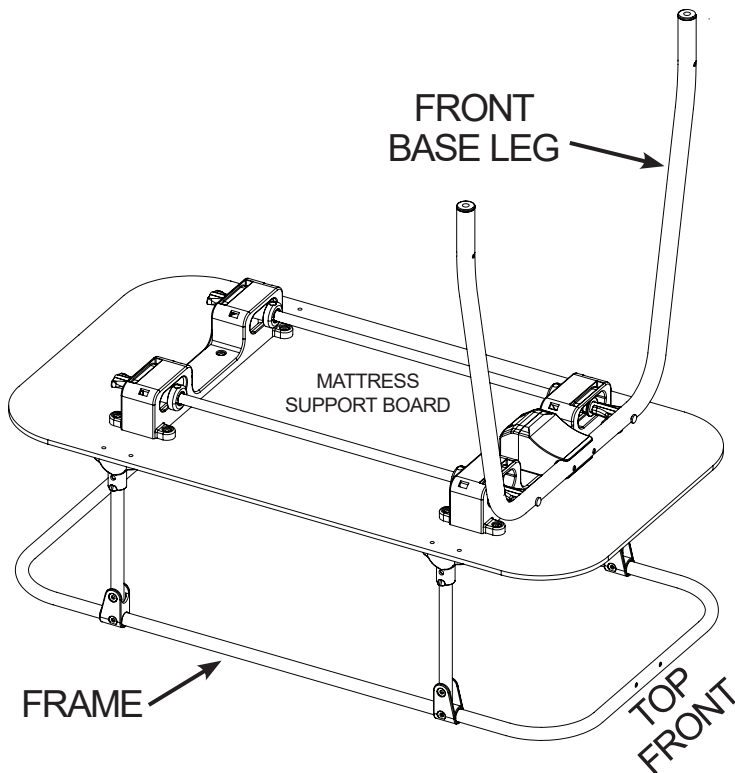
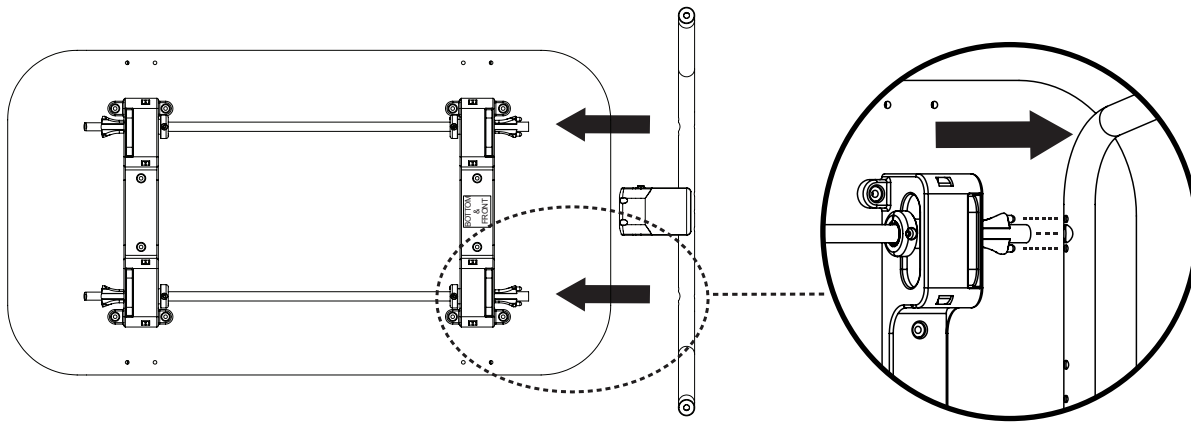
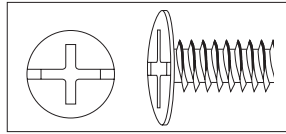




# Front Base Leg and Frame Assembly

1

M6 Screw - 1.7cm - x2 - Actual Size



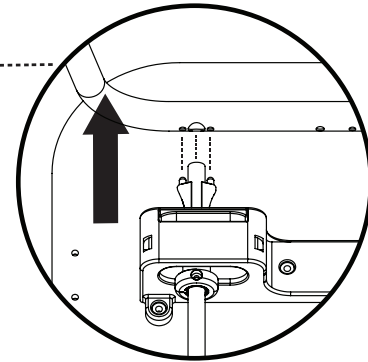
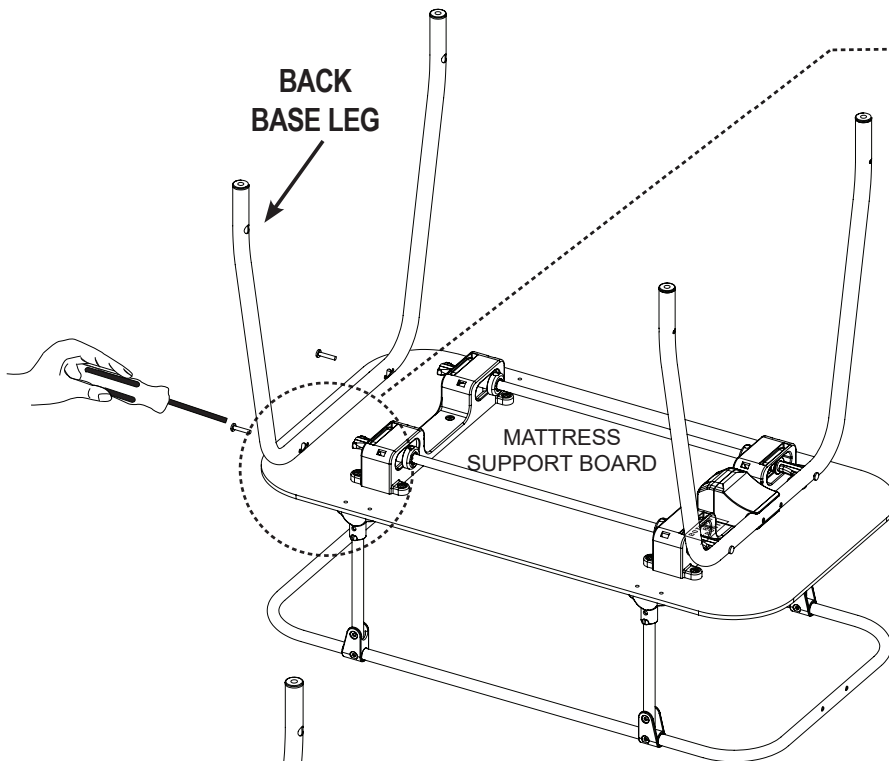
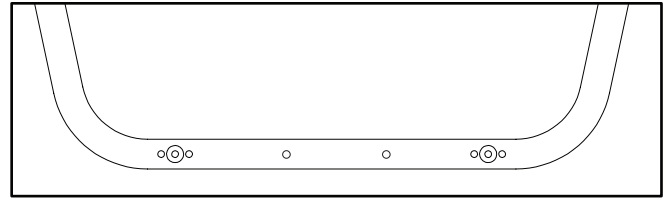
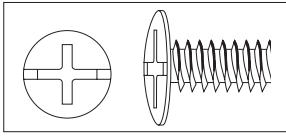
- Locate the two (x2) M6 screw, a Phillips screwdriver, and the front base leg.
- Insert the two (x2) M6 screw to the assembled front base leg and use the Phillips screwdriver to tighten on both sides.

NOTE: Align the front base leg so that the power housing is facing inside of the bassinet.

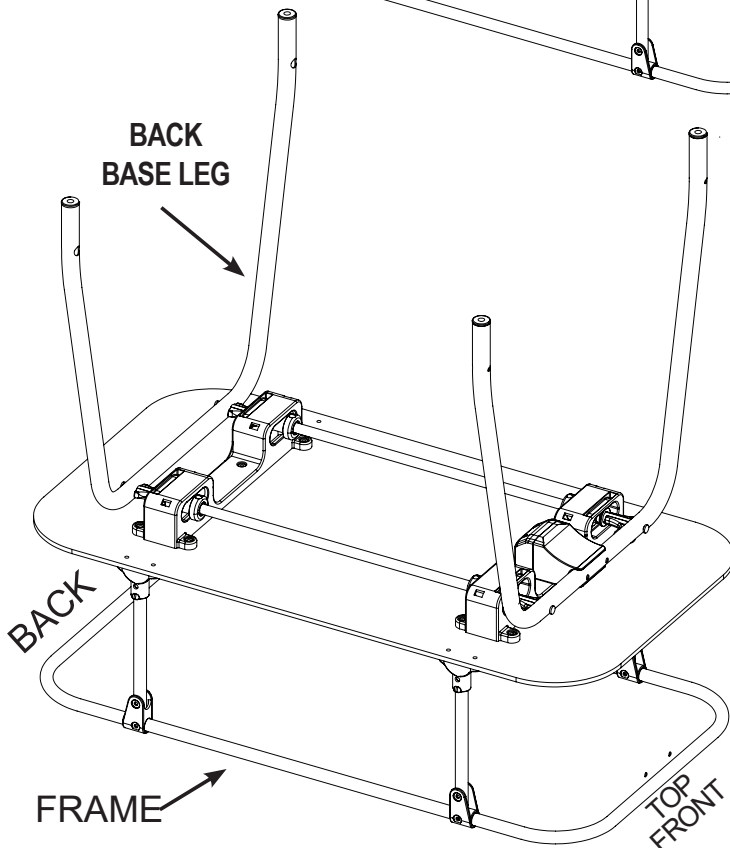
# Back Base Leg and Frame Assembly

1

M6 Screw - 1.7cm - x2 - Actual Size



Align two side nubs  
to the three holes on frame



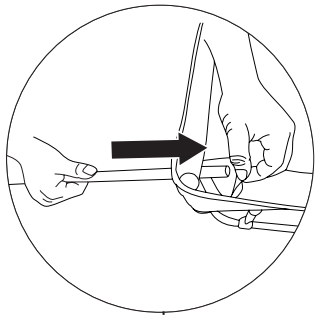
NOTE: You may need the help of another adult for assembly.

- Locate the two (x2) M6 screw, a Phillips screwdriver, and the back base leg.
- Insert the two (x2) M6 screw to the back base leg and use the Phillips screwdriver to tighten on both sides.

# Storage Basket Assembly

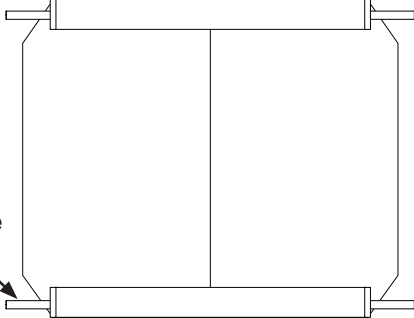
1

Slide Support Tube Into Fabric Storage Liner

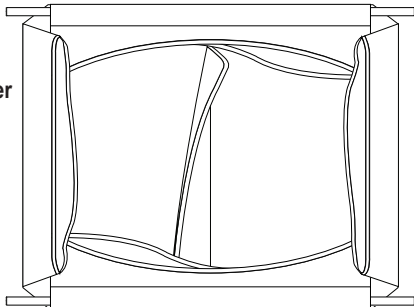


Fabric Storage Liner

Support Tube

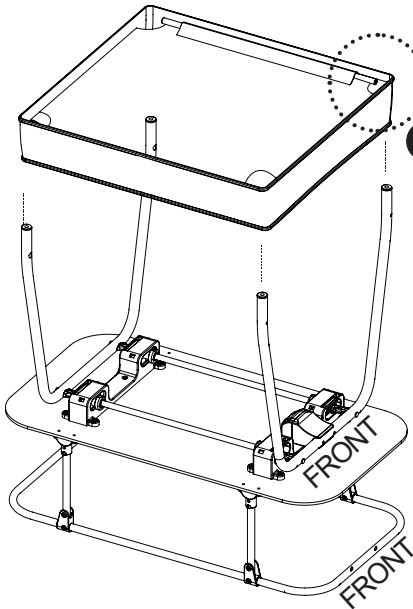


Fabric Storage Liner Facing Upward

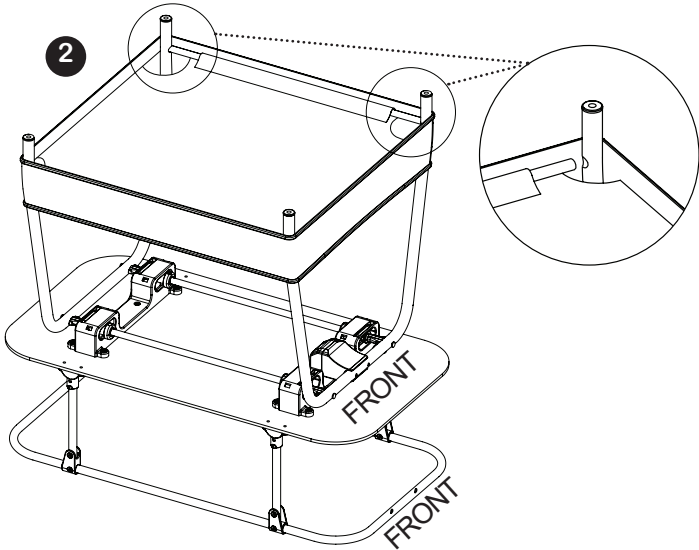


- Locate the two (x2) support tubes, and the fabric storage liner.
- Slide the support tubes into fabric storage liner on both sides.
- Flip over the fabric storage liner with support tubes, facing upward.

2



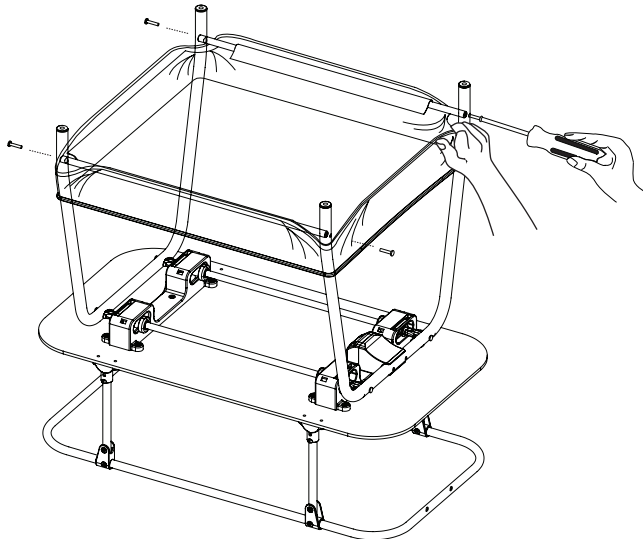
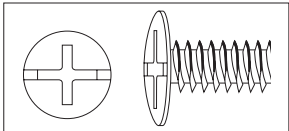
Fabric Storage Hole Corner



- 1 Slip the corners fabric liner 2 over bottom base legs (4x).

3

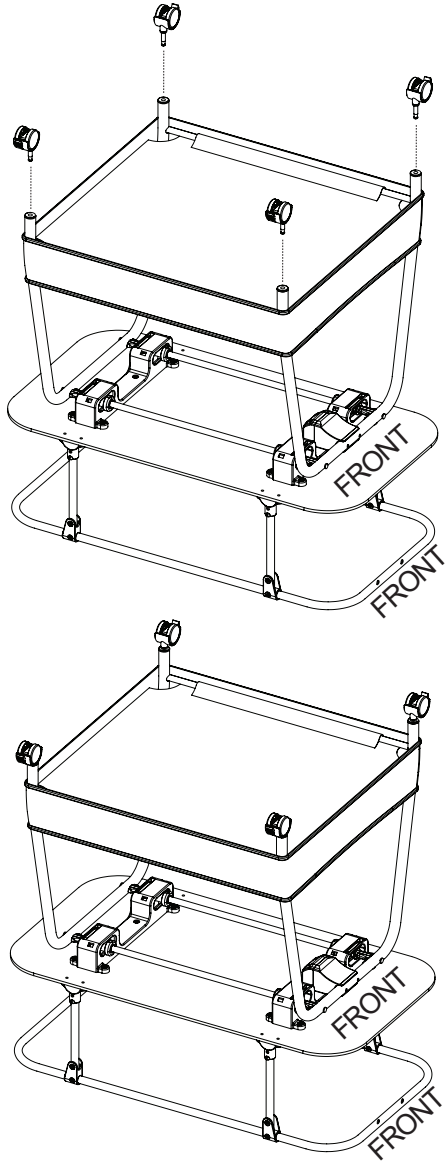
M6 Screw - 1.7cm - x2 - Actual Size



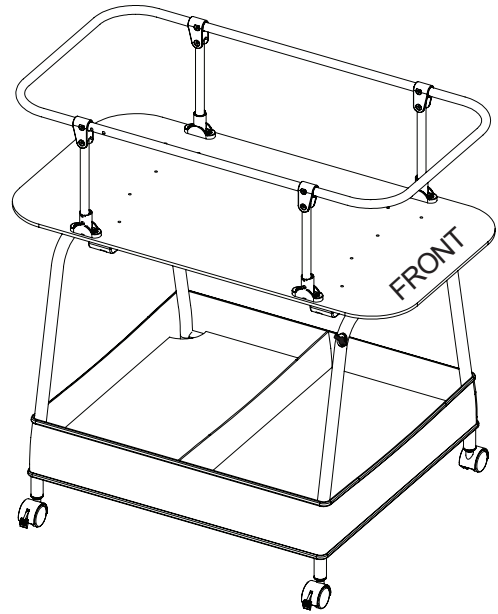
- Locate the four (x4) M6 x 1.7cm screws and a Phillips screwdriver
  - Insert the (x4) M6 screws on both sides of the legs and use a Phillips screwdriver to tighten both screws on both sides.
- NOTE: Pull side support tube to make sure it's fully fastened.

# Locking Casters Assembly

1



2



\*Once casters are assembled, turn the assembly bassinet upright.

- Locate the four (x4) locking casters and insert into (4) bottom leg joints.
- Insert the casters into the base legs. Push down until you hear the caster "CLICK" into place.
- Pull upward on the caster to assure it is properly attached to the bassinet.

# Consumer Information



## WARNING

Read all instructions BEFORE assembly and USE of product. KEEP INSTRUCTIONS FOR FUTURE USE.

CAUTION - This device complies with Part 15 of the FCC Rules. Operation is subject to the following two conditions: (1) this device may not cause harmful interference. (2) this device must accept any interference received, including interference that may cause undesired operation. Changes or modifications not expressly approved by the party responsible for compliance could void the user's authority to operate the equipment.

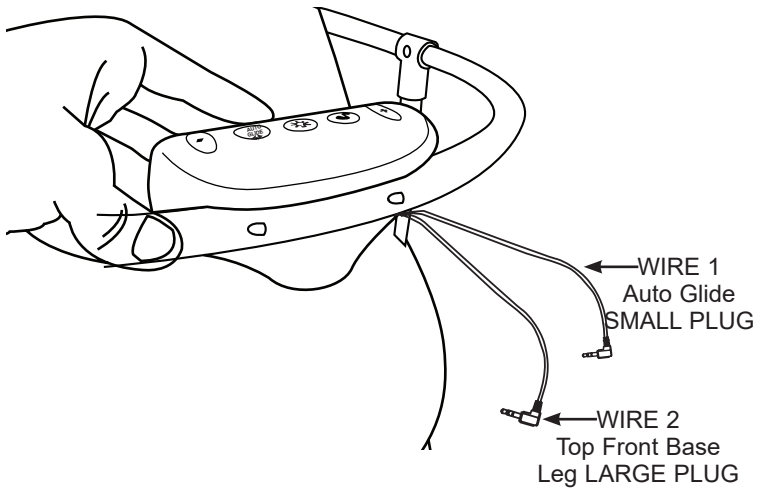
NOTE: This equipment has been tested and found to comply with the limits for a Class B digital device, pursuant to part 15 of the FCC Rules. These limits are designed to provide reasonable protection against harmful interference in a residential installation. This equipment generates uses and can radiate radio frequency energy and, if not installed and used in accordance with the instructions, may cause harmful interference to radio communications. However, there is no guarantee that interference will not occur in a particular installation. If this equipment does cause harmful interference to radio or television reception, which can be determined by turning the equipment off and on, the user is encouraged to try to correct the interference by one or more of the following measures:

- Reorient or relocate the receiving antenna.
- Increase the separation between the equipment and receiver.
- Connect the equipment into an outlet on a circuit different from that to which the receiver is connected.
- Consult the dealer or experienced radio/TV technician for help.

MPE Reminder: To satisfy FCC / IC RF exposure requirements, a separation distance of 20 cm or more should be maintained between the antenna of this device and persons during device operation. To ensure compliance, operations at closer than this distance is not recommended.

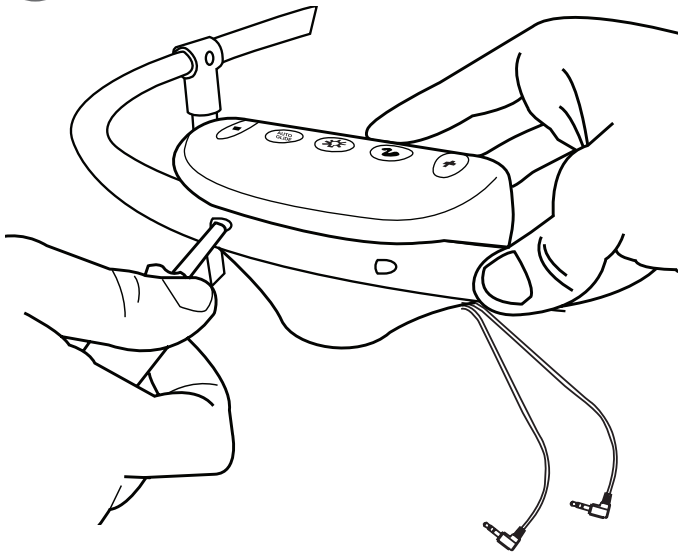
# Attaching Music Module

1



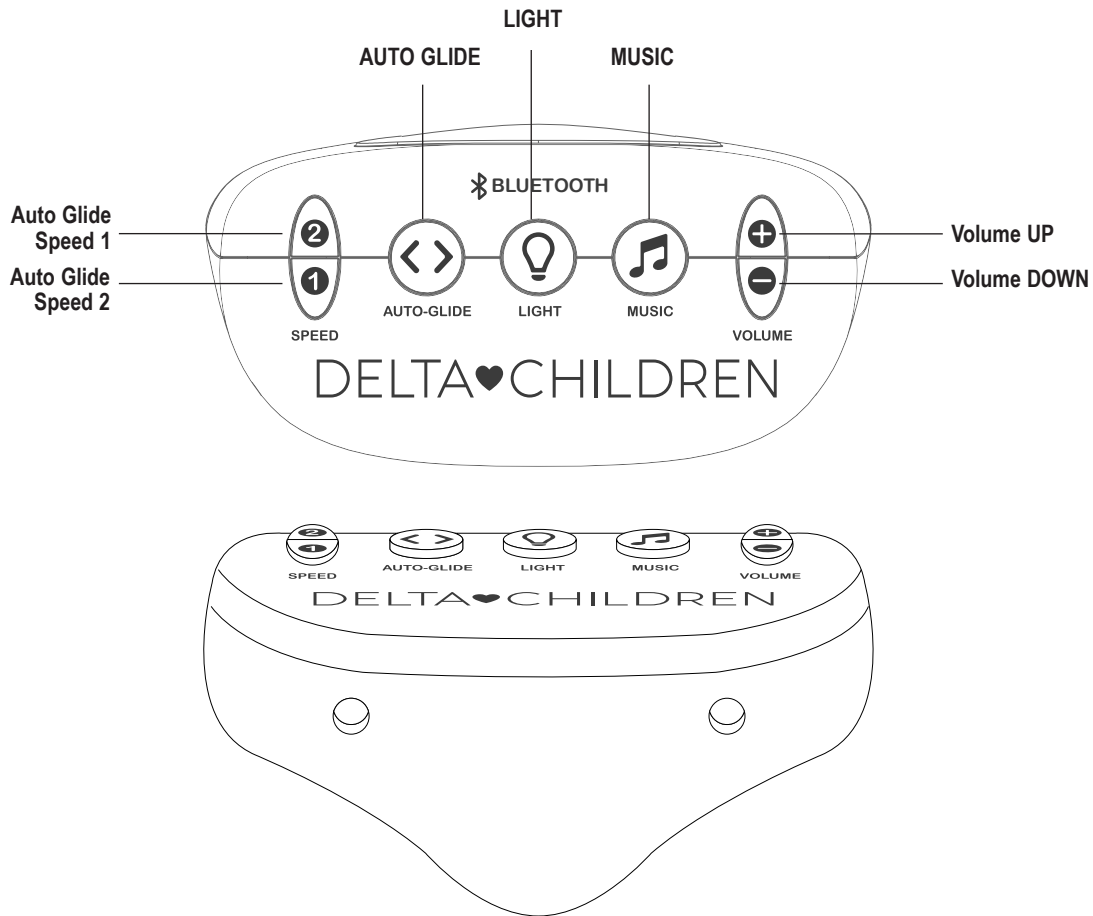
- To attach Music Module, remove the screws and line up music module to screw holes on front frame.

2



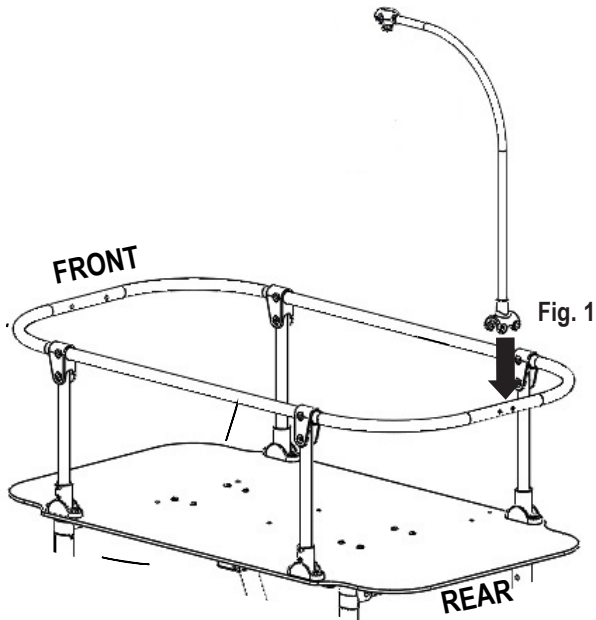
- Position Music Module onto front of frame and screw module to frame.

# Music Module Operation



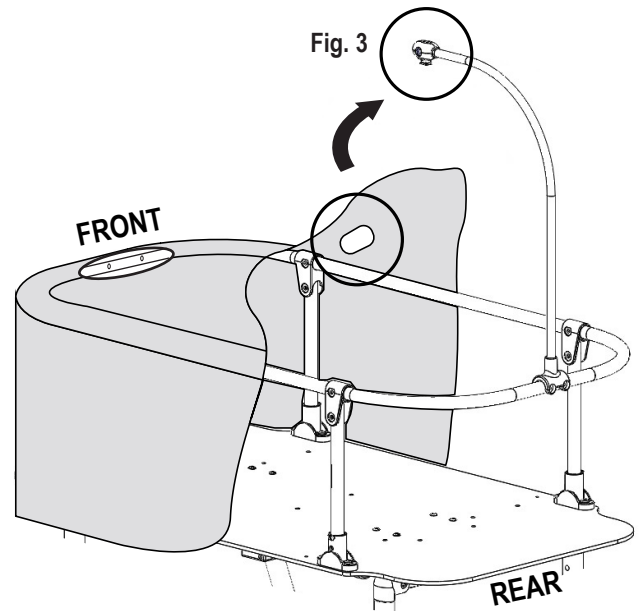
- Press Auto Glide button (◀▶) to start 60 minute cycle of auto glide.
  - Press again to stop auto glide.
  - Auto glide speed can be adjusted with two speed buttons **1** & **2** on the top of the music module.
  - Activate bassinets light by pressing LIGHT button (💡) on the top of the music module.
- NOTE: Light will stay on in 60 minute cycles, unless button is pressed before 60 minutes are up.
- Press MUSIC button (🎵) on top of the music module to activate MUSIC. Press button multiple times to cycle through three (8) music melodies.
  - Volume can be adjusted with UP/DOWN buttons on the top of the music module.

# Attaching Mobile Arm & Fabric Liner



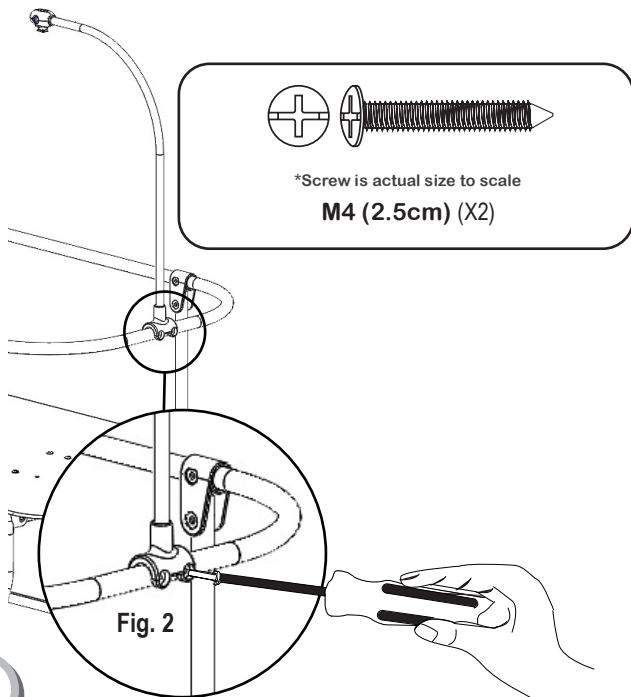
1

- Position mobile arm near the rear of the bassinet and align the two holes on the mobile arm joint to the top rail holes (Fig. 1).



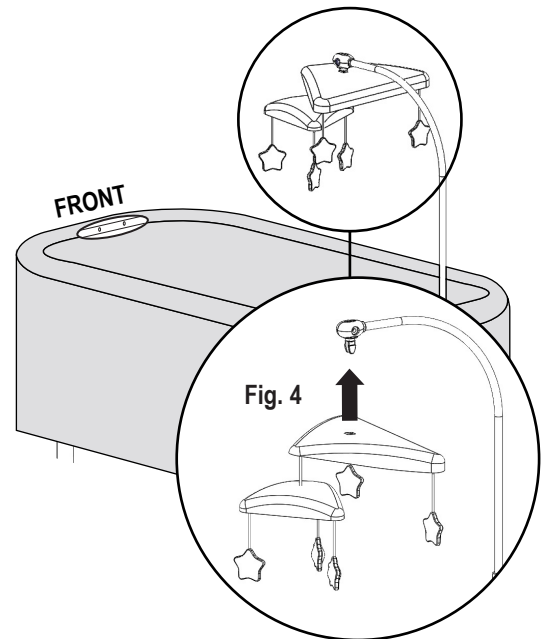
3

- Locate mobile arm hole on rear of fabric liner and insert it over the mobile arm (Fig. 3).



2

- Locate the two (x2) M5 x 2.5cm screws and a Phillips screwdriver (Fig. 2).
- Align the two holes of the mobile arm joint to the top rail holes and insert the (x2) M5 screws onto the mobile arm joint and use a Phillips screwdriver to tighten both screws on both sides (Fig. 2A).



4

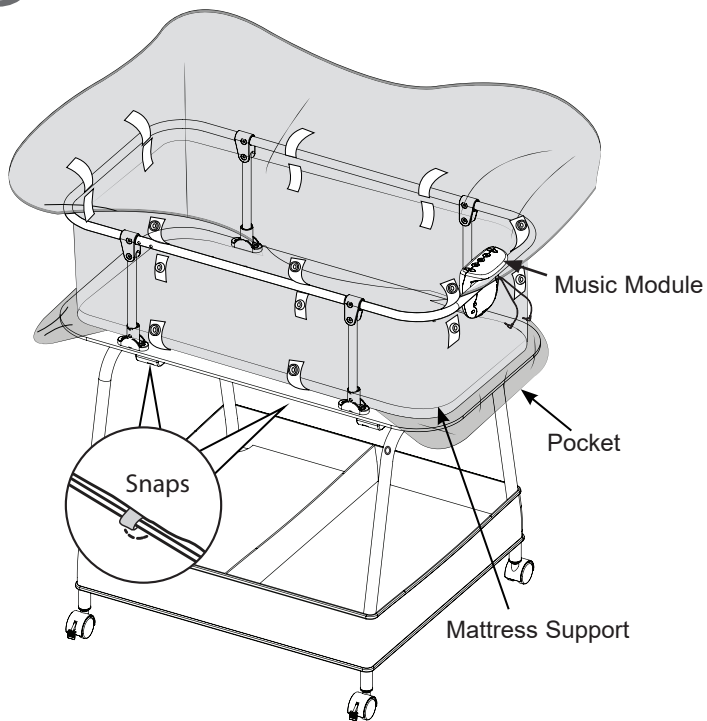
## ATTACHING TOYS TO MOBILE ARM

- Locate the mobile arm and toys and attach it together until it locks in place (Fig. 4).



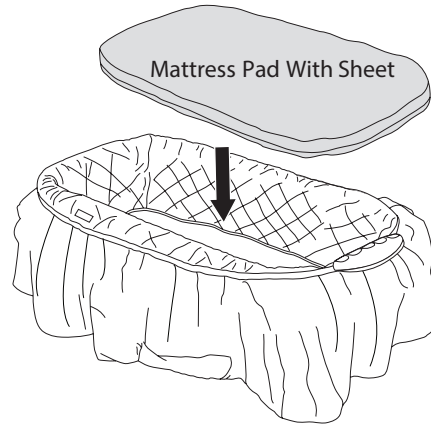
# Attaching Fabric

1



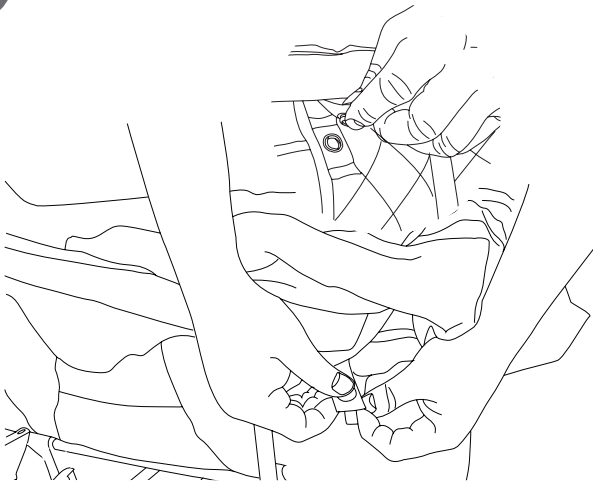
- Stretch the pockets on the bottom of the liner around the ends of the mattress support.

3



- Place the sheet over the mattress pad.
- Place the covered mattress pad into the liner.

2



- Lift the skirt on the liner, snap all (8) of the straps around the top tube of the frame and all (4) snaps to the underside of the mattress boards.

# Wire Connection Assembly

1

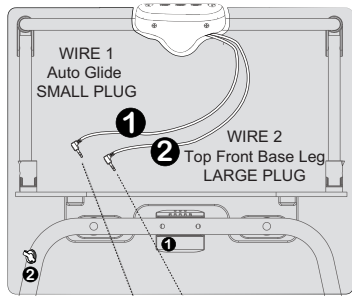


Fig. 1

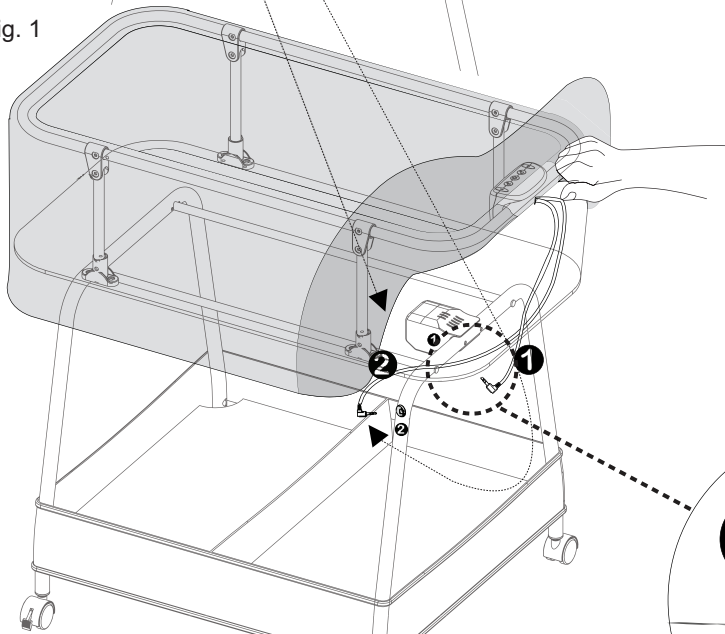
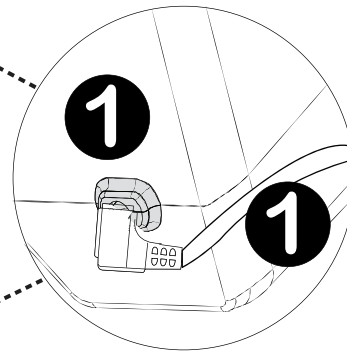
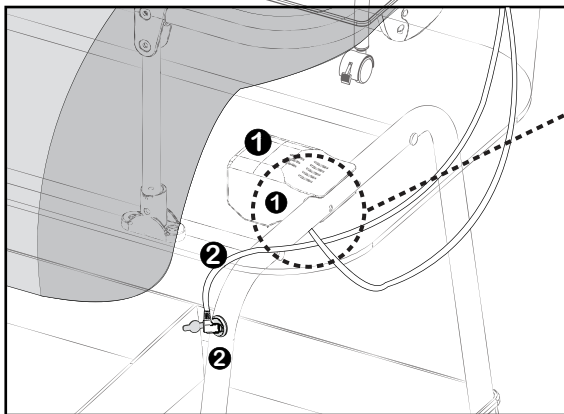


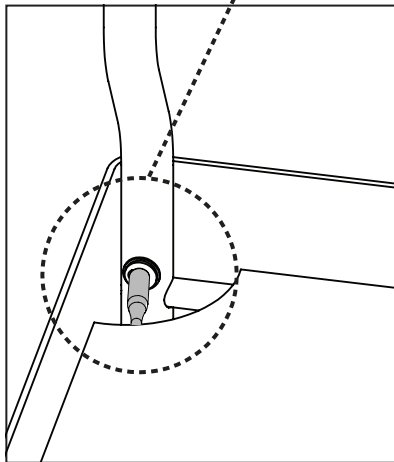
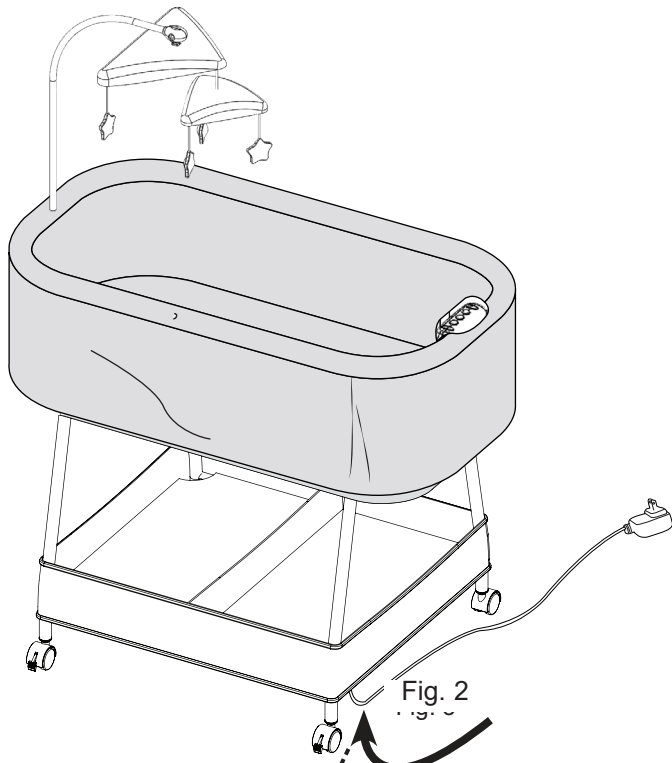
Fig. 1A



- Lift the fabric on the front of the bassinet.
- Locate the auto-glide housing plug cord **1** and insert it into the auto-glide connector **1**. (Fig. 1)
- Locate the large plug cord **2** and insert into the top leg connector **2**. (Fig. 2)

# Wire Connection Assembly

2



BottomBase Leg Connection  
Located On The Inside Of Base Leg  
Fig. 2A

- Locate the Power Cord. Insert underneath the fabric storage liner opening and plug into the Bottom Base Leg Connector (Fig. 2) until fully connected (Fig. 2A)

## Care and Maintenance

- The frame, mattress pad, storage basket, music module may be wiped clean using a mild cleaning solution and a damp cloth. Do not use bleach. Do not use harsh or abrasive cleaners. Rinse clean with water to remove residue. Do not immerse the frame.
- The sheet is machine washable. Wash it separately in cold water on the gentle cycle. Do not use bleach. Tumble dry separately on low heat and remove promptly.
- Always store product in a clean and dry place.
- Before each usage or assembly, inspect unit for damaged hardware, loose joints, missing parts or sharp edges. NEVER use this product if there are any loose or missing fasteners, loose joints, broken parts, or torn mesh/fabric. Check before assembly and periodically during use. Contact Simmons Customer Service Department at [gcs@DeltaChildren.com](mailto:gcs@DeltaChildren.com) for replacement parts, repair or instructions.

# DELTA♥CHILDREN

Delta Children's Products Corp.  
114 West 26<sup>th</sup> Street  
New York, NY 10001  
[gcs@DeltaChildren.com](mailto:gcs@DeltaChildren.com)  
[www.DeltaChildren.com](http://www.DeltaChildren.com)