

DELTA♥CHILDREN

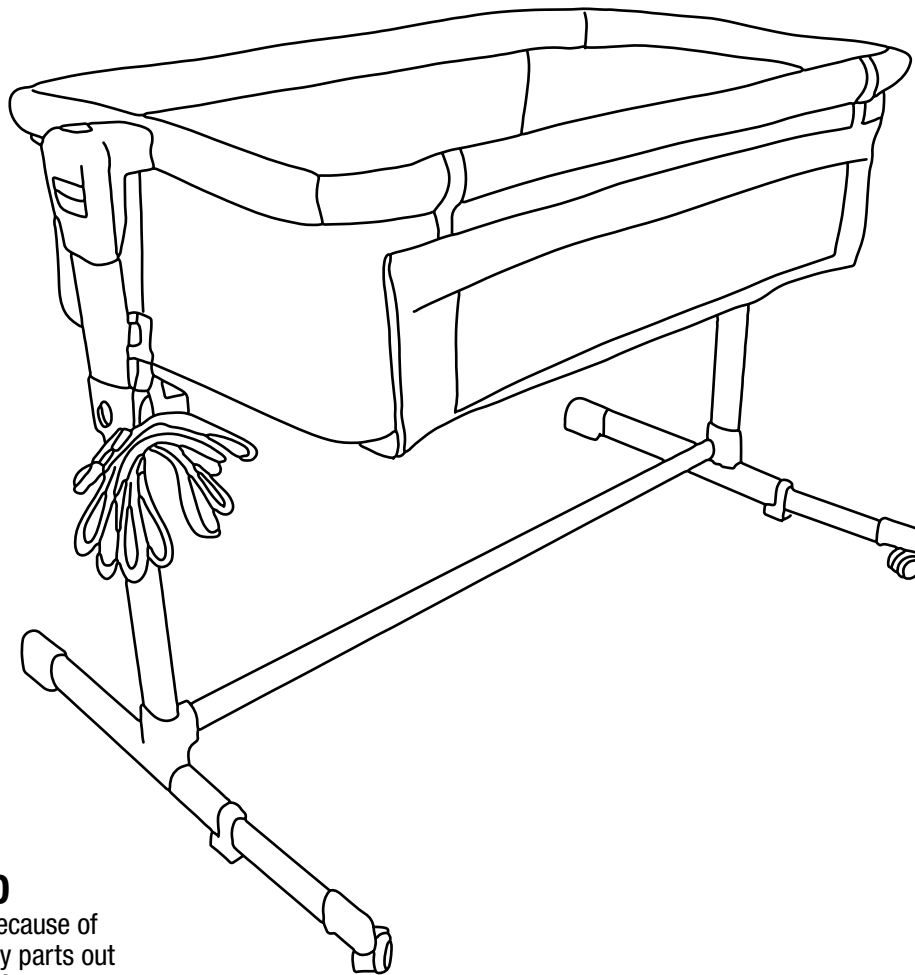
Close2Me Adjustable Bedside Bassinet

INSTRUCTION MANUAL

ADULT ASSEMBLY REQUIRED

STYLES AND COLORS MAY VARY

24002



**▲ WARNING:
CHOKING HAZARD**

Adult assembly required because of small parts. Keep assembly parts out of reach of children under 3 years.

Read all instructions BEFORE assembly and USE of product
KEEP INSTRUCTIONS FOR FUTURE USE.

Customer Experience Center
email: gcs@DeltaChildren.com

DELTA♥CHILDREN

www.DeltaChildren.com

DCP-IM-11232021-F1

Consumer Information



WARNING

WARNING: Do not use this bassinet if you cannot exactly follow the accompanying instructions. Failure to follow these warnings and instructions could result in serious injury or death.

- **Read all instructions before assembling unit.**

KEEP INSTRUCTIONS FOR FUTURE USE.

DO NOT USE THIS UNIT IF THE INSTRUCTIONS CANNOT BE STRICTLY FOLLOWED.

- Before each usage or assembly, inspect unit for damaged hardware, loose joints, missing parts or sharp edges.
- **NEVER** use this product if there are any loose or missing fasteners, loose joints, broken or missing parts, or torn mesh/fabric. Check before assembly and periodically during use. Contact Delta Children Customer Service Department at gcs@DeltaChildren.com for replacement parts, repair or instructions. **DO NOT** substitute parts

SUFFOCATION HAZARD: Infants have suffocated:

- On soft bedding.
- In gaps between an extra padding, a mattress (too small or too thick) and product sides.
- Use only the pad provided by the manufacturer that is no thicker than 25 mm (1 in) and is of such a size that, when pushed against any side of the product, it does not leave a gap of more than 25 mm (1 in) between the mattress and sides.
- **NEVER** add a pillow, comforter or another mattress for padding.
- Remove any tools or excess parts including plastic packaging from bassinet vicinity after assembly.
- If a sheet is used with the pad, use only the one provided by the manufacturer or one specifically designed to fit the dimensions of the bassinet/criadle.
- To reduce the risk of SIDS, pediatricians recommend healthy infants be placed on their back to sleep, unless otherwise advised by your physician.
- Never use plastic shipping bags or other plastic film as a mattress covers not sold and intended for that purpose. They can cause suffocation.
- **DO NOT** place bassinet near a window where cords from blinds or drapes may strangle a child. Child may fall out of window.
- **DO NOT** place cords, straps or similar items that could become wound around a child's neck in or near the bassinet.

FALL HAZARD: To help prevent falls, **DO NOT** use this product when the infant begins to push up on hands and knees or has reached manufacturer's recommended maximum weight of 11.3kg (25lbs), whichever comes first.

- To reduce the risk of SIDS, pediatricians recommend healthy infants be placed on their backs to sleep, unless otherwise advised by your physician.
- Always attach all provided fasteners tightly according to the instructions. Check frequently. Do not use if there are any loose or missing parts or signs of damage. Do not substitute parts. Contact the manufacturer for replacement parts.
- Use bassinet with only one child at a time.
- Strings can cause strangulation! **DO NOT** place items with a string around a child's neck, such as hood strings or pacifier cords. **DO NOT** suspend strings over a product or attach strings to toys.
- **DO NOT** place medication, small toys, small items, cords, straps or similar items that could become wound around the child's neck in or near this product and do not place product near a window, patio door, heater, or power outlet.

⚠ WARNING ⚠

WARNING: Do not use this bassinet if you cannot exactly follow the accompanying instructions. Failure to follow these warnings and instructions could result in serious injury or death.

SUFFOCATION HAZARD

Infants have suffocated:

- In gaps between extra padding, a mattress (too small or too thick) and product sides.
- On soft bedding

DCP11102012-EN-F1

Use only the pad provided by the manufacturer that is no thicker than 25 mm (1 in) and is of such a size that, when pushed against any side of the product, it does not leave a gap of more than 25 mm (1 in) between the mattress and sides.

- **NEVER** add a pillow, comforter, or another mattress for padding.
- If a sheet is used with the pad, use only the one provided by the manufacturer or one specifically designed to fit the dimension of the bassinet mattress.
- Remove any tools or excess parts including plastic packaging from bassinet vicinity after assembly.
- Always make sure both sides of the bassinet are adjusted at the same height position making the bassinet equally leveled.
- Do not use the body of the bassinet without its frame.

FALL HAZARD: To help prevent falls, **DO NOT** use this product when the infant begins to push up on hands and knees or has reached manufacturer's recommended maximum weight of **11.3kg (25lb)** whichever comes first.

- To reduce the risk of SIDS, pediatricians recommend healthy infants be placed on their backs to sleep, unless otherwise advised by your physician.
- Always attach all provided fasteners tightly according to the instructions. Check frequently. Do not use if there are any loose or missing parts or signs of damage. Do not substitute parts. Contact the manufacturer for replacement parts.
- Do not place medication, small toys, small items, cords, straps or similar items that could become wound around the child's neck in or near this product and do not place product near a window, patio door, heater, or power outlet.

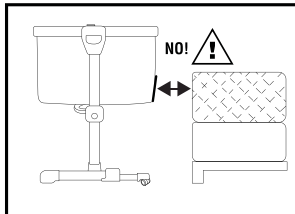
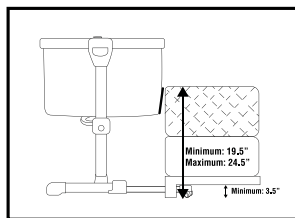
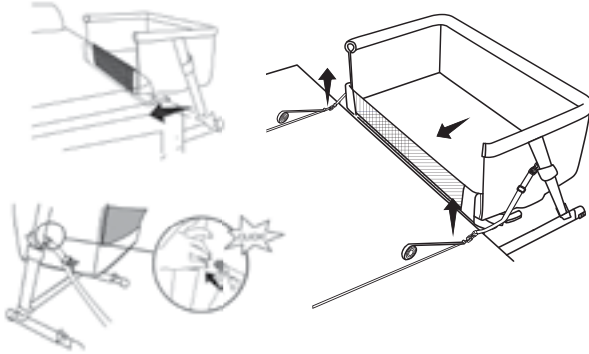
ENTRAPMENT HAZARD:

To prevent death from entrapment, bedside sleeper must be properly secured to adult bed using the attachment system

- There must be no more than 1/2 in. (13mm) gap between bedside sleeper and adult bed.
- Check tightness before each use by pulling bedside sleeper in a direction away from adult bed
- If gap exceeds 1/2 in. (13mm), **DO NOT** use product. Do not fill the gap with pillows, blankets or other items that are suffocation hazards.
- Always read and follow assembly instructions for each product mode (bedside sleeper, bassinet, play yard).
- Always use ALL required parts for each mode. Check instruction manual for a list of required parts. Periodically check product for loose, damaged or missing parts.

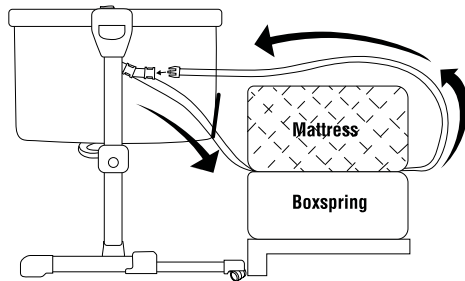
⚠ WARNING ⚠

WARNING: Never use this product in bedside sleeper mode without the attachment system securely attached to the adult bed



⚠ WARNING:

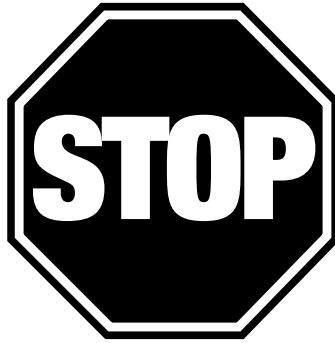
• Attachment system must **ALWAYS** be used while in bedside sleeper mode



DCP11092021-EN-V1

⚠ WARNING:

To avoid death from the infant's neck being caught on the top rail on the side that is next to the adult bed. The top rail must be no higher than the adult bed mattress.



Before returning this product to the store! Let's see if we can assist you!

- **Not sure how to assemble our product?**

Visit our site for easy to follow instructions along with some Tricks and Tips assembly video's
<https://www.deltachildren.com/pages/instructions>

- **If you are missing a piece or have a damaged part**

Please contact our Consumer Experience Center for assistance at gcs@DeltaChildren.com.
To better assist you please have your Style #, Lot # and Manufacturer Date information available along with the part number that you need assistance with.

- **In the event we do not have a replacement part available**

You may need to return your product to the retailer for an exchange or refund.

- **Warranty**

In order to protect your investment, don't forget to register your product.

You may also wish to consider purchasing our extended warranty.

Visit <https://www.deltachildren.com/pages/extended-warranty> for more details.

- **Please note:**

"All Final", "As Is" or Third Party/Liquidator sales are not covered under our Limited Manufacturer Warranty..

DELTA CHILDREN

LIMITED MANUFACTURER WARRANTY

This Delta product is warranted to be free from defects for a period of 90 days from the date of purchase under normal use. This warranty extends only to the original retail purchaser and is valid only when supplied with proof of purchase, or if received as a gift, when the registration is on file with Delta. This limited manufacturer warranty does not cover the following:

- Products purchased as floor models or samples.
- Items purchased on an “as-is” basis, as a second hand product, or as a resale product.
- Items purchased at a Final sale, a “Going out of Business” sale, or a Liquidation sale.

TO REGISTER YOUR PRODUCT for important safety alerts and updates to your product please visit www.deltachildren.com

TO REPORT A PROBLEM, please log on to www.deltachildren.com and click the Consumer Care Tab, or contact us by email at gcs@DeltaChildren.com

Date of Purchase: _____ (you should also keep your receipt)

EXTENDED WARRANTY

DON'T MISS YOUR CHANCE TO BE COVERED FOR ALL OF LIFES MISHAPS!

With Delta's Extended Warranty, you're covered for mechanical failure from normal use or if your item stops working due to normal wear and tear, plus all those unexpected surprises.

2 YEARS OF PROTECTION

For Additional Information:

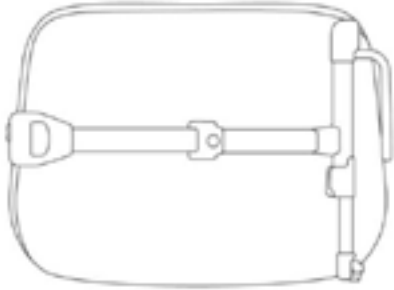
Simply visit our Website, register your product, and add the Extended Warranty

<https://www.deltachildren.com/pages/product-registration>

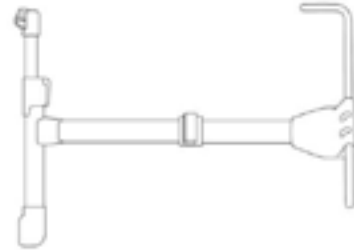
Extended Warranty only available in the following States: Arkansas, Colorado, Delaware, District of Columbia, Georgia, Idaho, Illinois, Indiana, Iowa, Kansas, Kentucky, Louisiana, Maryland, Michigan, Mississippi, Missouri, Nebraska, Nevada, New Hampshire, New York, North Carolina, North Dakota, Pennsylvania, Rhode Island, South Dakota, Tennessee, Utah, West Virginia

PARTS

IMPORTANT! Please remove all parts from the package and identify them before assembly.



Main Frame



Side Frame



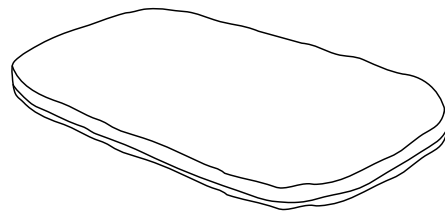
Middle Support



Side Support



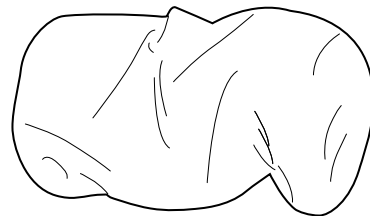
Cross Bar



Mattress Support Pad



Fastening Straps



Sheet

Bassinet Frame Assembly

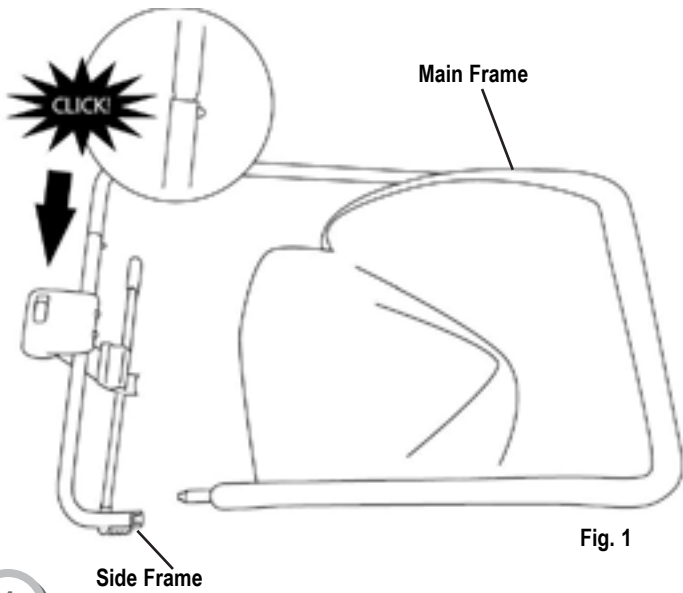


Fig. 1

NOTE: You may need the help of another adult to help steady all parts for assembly.

- Slide the side frame into the Main Frame until you hear an audible "CLICK!" (Fig. 1)

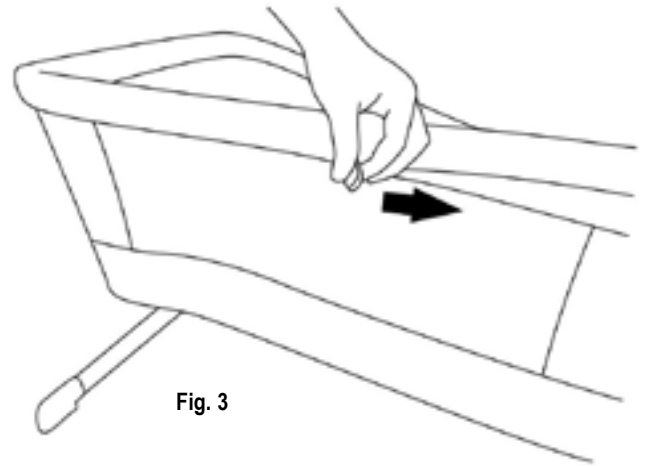


Fig. 3

- Put the material on the tube of the main frame and close the zipper (Fig. 3).

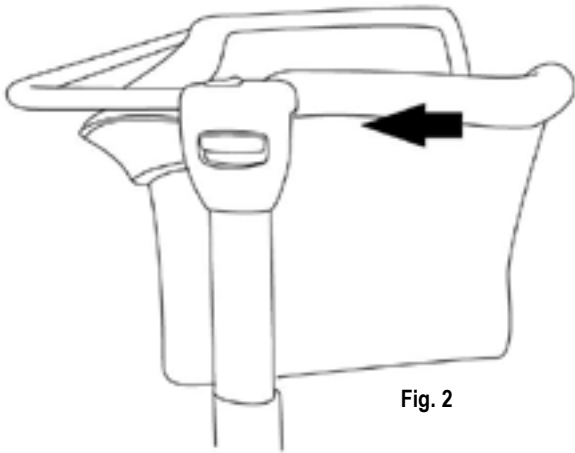


Fig. 2

- Slide the cover over the exposed parts of the side frame (Fig. 2).

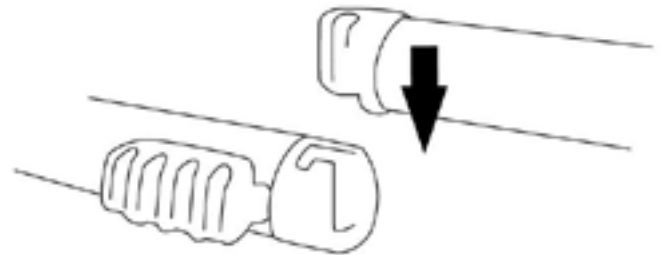


Fig. 4

- Connect the tube of the drop-side with the upper part of the frame (Fig. 4).

Bassinet Frame Assembly

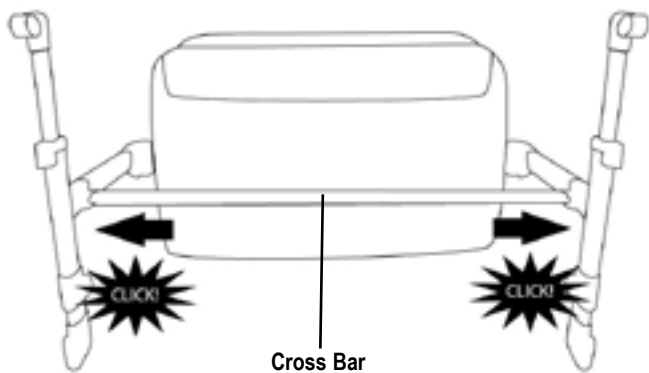
Fig. 5



5

- Close zipper over the drop-down bar by pulling from the inside of the bassinet around the top and down the outside (Fig. 5).

Fig. 6

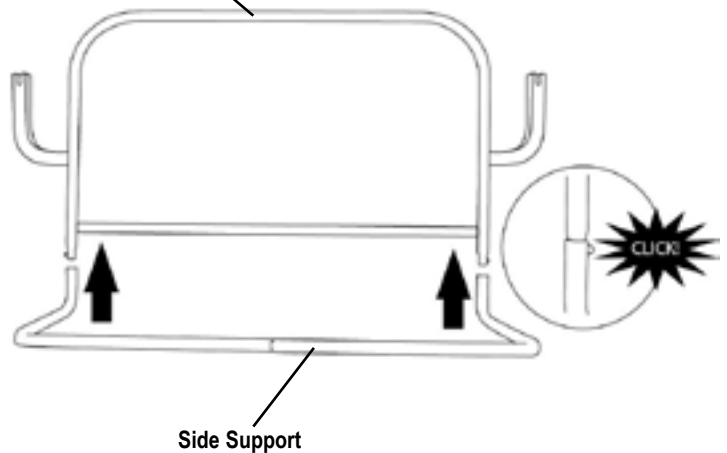


6

- Lay the bassinet down with bottom facing you. (Fig. 6).
- Insert the cross bar into one of the frame legs until you hear an audible "CLICK!"
- Repeat on opposite frame leg.
- Replace frame in upright position

Middle Support

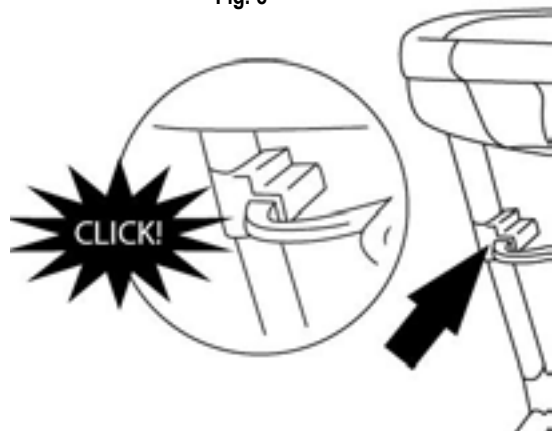
Fig. 7



7

- Attach the side support to the middle support as seen in (Fig. 7)
- Push the side support onto the middle support until you hear an audible "CLICK!" on **both sides**.

Fig. 8

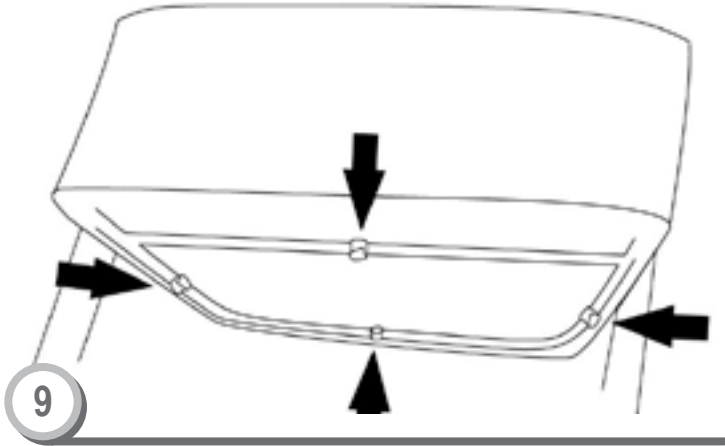


8

- Take the piece made above in step 7. With the bent section of the Side Support facing upwards, insert the combined piece into the plastic housings found on the frame legs until you hear an audible "CLICK!" on **both sides**. (Fig. 8)

Bassinet Frame Assembly

Fig. 9



- Attach the Velcro straps to the frame under the bassinet (Fig. 9).

Fig. 10

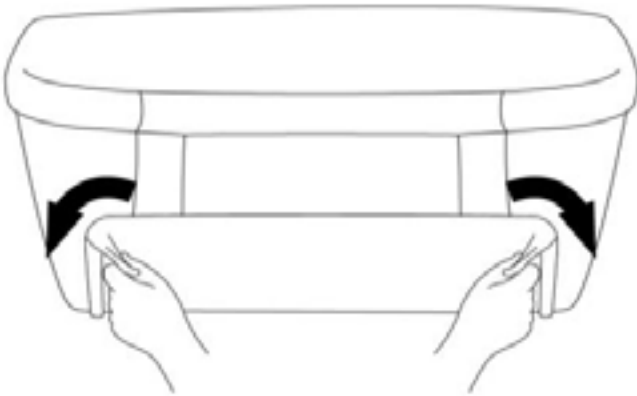


Fig. 11

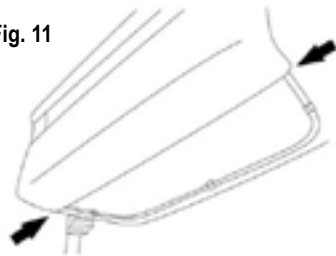
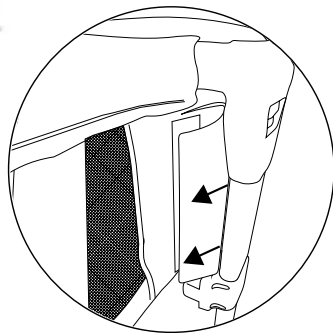


Fig. 11B



10

- Wrap the free end of the cover around the side support (Fig. 10)
- Fasten it with Velcro straps to the bottom of the bassinet (Fig. 11)
- Wrap the fabric straps around and through the bracket on the inside of the leg. Fold velcro over and attach the strap to itself, securing the bassinet to the leg. Repeat on other side (Fig. 11B).

Fig. 12

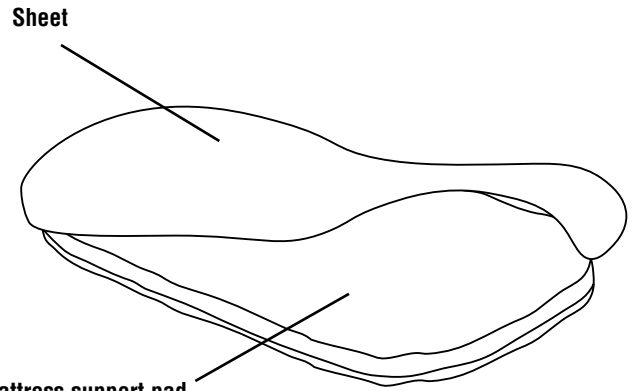
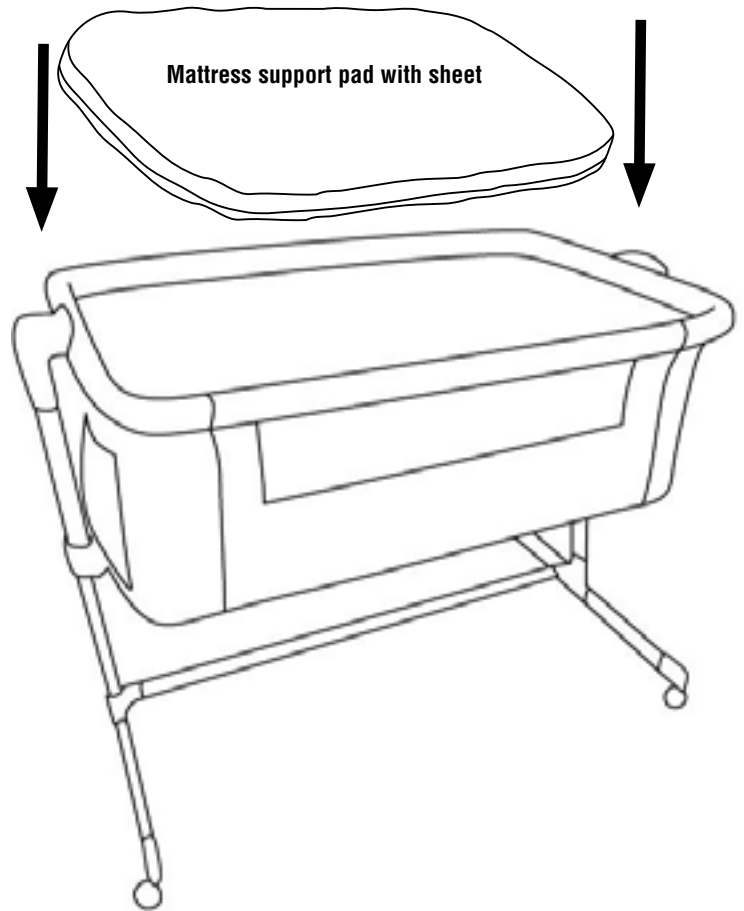


Fig. 13



11

- Cover the mattress support pad with the included sheet (Fig. 12)
- Place the mattress support with sheet into the bassinet, making sure it sits firmly on the bottom (Fig. 13)

Adjusting Frame Height

WARNING: NEVER adjust height with baby inside.

NOTE: To adjust up or down you must unlock EACH SIDE separately.

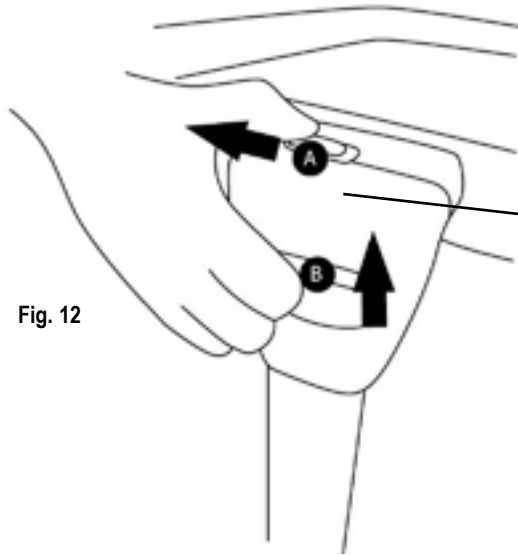
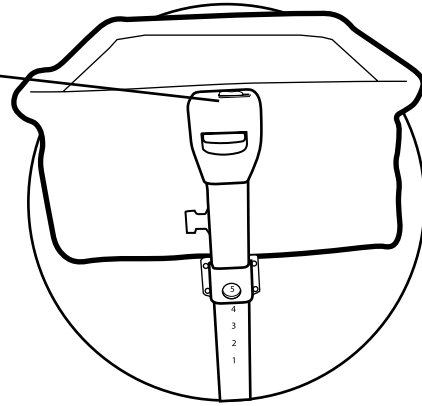


Fig. 12



1

2

- The bassinet is adjustable to 5 different heights. To adjust to the desired height, hold the bassinet with your foot, move button A back and press button B. Do this on both sides of the bassinet to adjust to the desired height (Fig. 12).

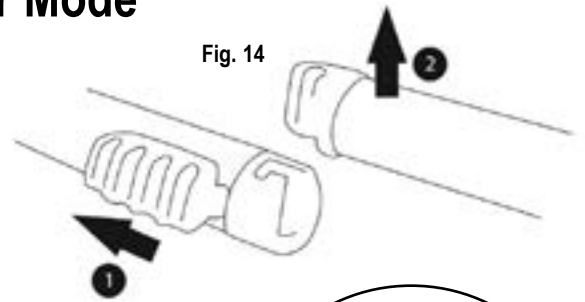
- With the buttons on both sides depressed, raise or lower the height of the bassinet.
 - Use the numbers on both legs to choose and align height.
- NOTE: Bassinet should ALWAYS be level. Never raise one side higher than the other.**

Using Co-Sleeper Mode

Fig. 13

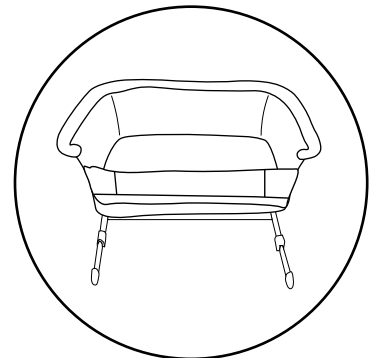


Fig. 14



1

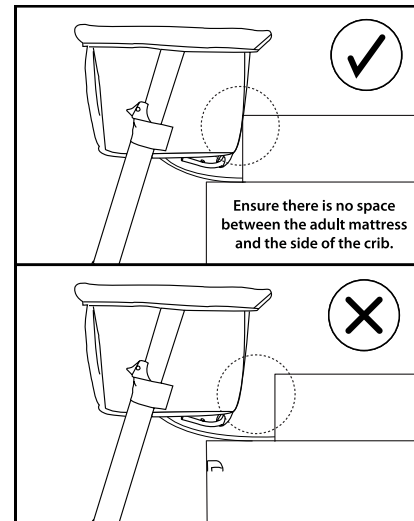
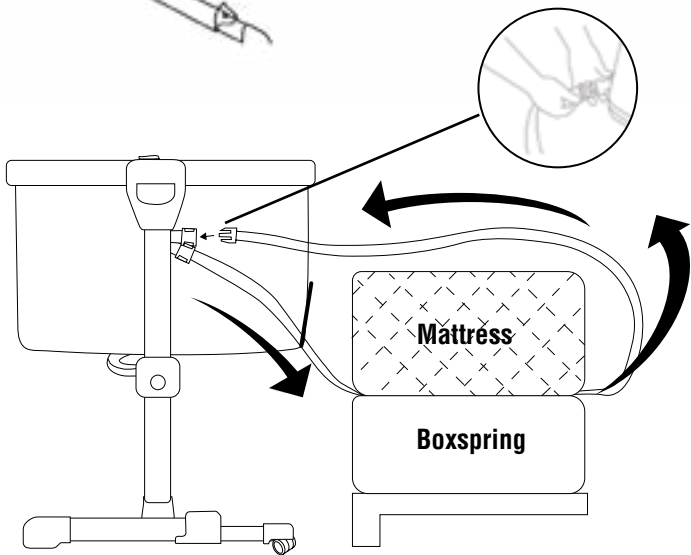
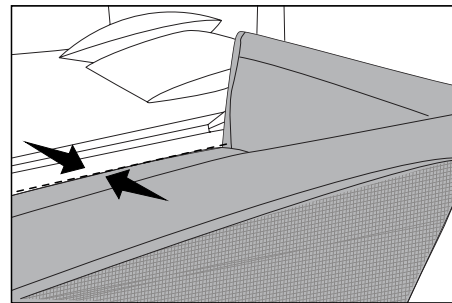
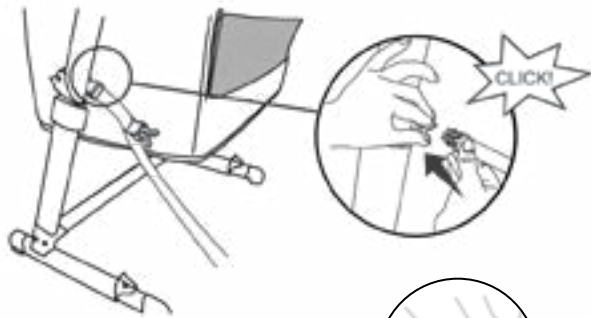
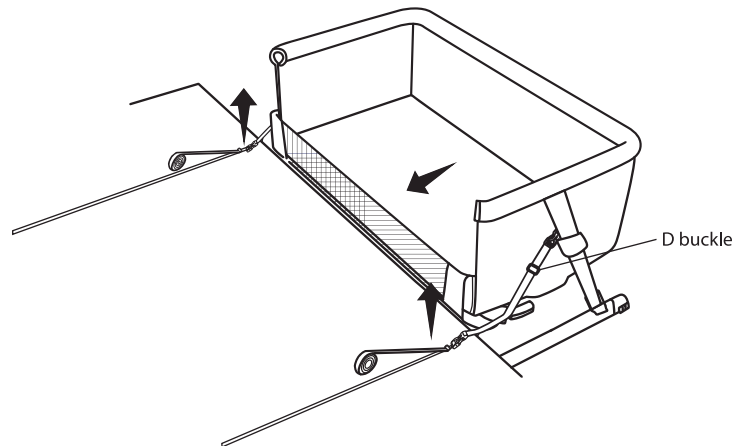
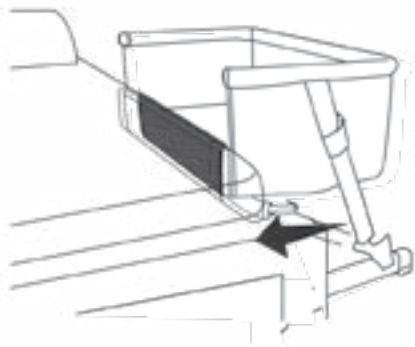
2



- Unzip both front zippers.
- Starting at the front, zip up, around and over the drop bar down into the inside of the bassinet (Fig. 14).

- Slide the button back on both sides of the drop-bar joints.
- With the slider buttons pulled back, lift the drop-bar out of its seat on the bassinet frame.
- Remove the drop-bar from the fabric liner and store away.
- Allow the fabric liner to hang down

Using Co-Sleeper Mode



1

- Move the crib close to the adult bed and check the height of the crib compared with the mattress of the bed.
WARNING! The height of the adult mattress should always be more than that of the side support for containment of the crib.
WARNING! In “co-sleeping mode” the 2 legs of the crib should always be adjusted to the same height.
- Use the pair of straps provided to fix the co-sleeper to the adult bed. Fasten the strap buckle to the inner side of the left frame. Repeat for the right frame.
- Loop the left side strap around the mattress, from the bottom and up around the top. Fasten the buckle to finish. Repeat for the right side strap.
WARNING! Ensure all webbing strap buckles are fastened before continuing.

2

- To secure the crib to the adult bed, adjust the “D” buckle to tighten the straps once more to ensure the co-sleeper is properly and firmly secured to the bed.
WARNING! The height of the adult mattress should always be more than that of the side support for containment of the crib.
WARNING! Before every use always check to ensure that there is no space between the adult mattress and the side of the crib. If there is, pull the belts firmly to tighten until there’s no space and the required condition of use has been restored.
WARNING! During use, ensure that the adult bed sheets, blankets etc. do not enter and cover the interior of the crib.

Consumer Information



WARNING

WARNING: Always read and follow assembly instruction for each product use mode (bassinet and bedside sleeper).

Always use ALL required parts for each use mode. Check instruction manual for a list of required parts. Periodically check product for loss, damaged or missing parts. Keep instruction for future use.

The bedside sleeper is designed to provide a sleeping area for an infant until he or she begins to push up on hands and knees or approximately 5 months of age. Move your child to another sleeping product when your child reach this stage.

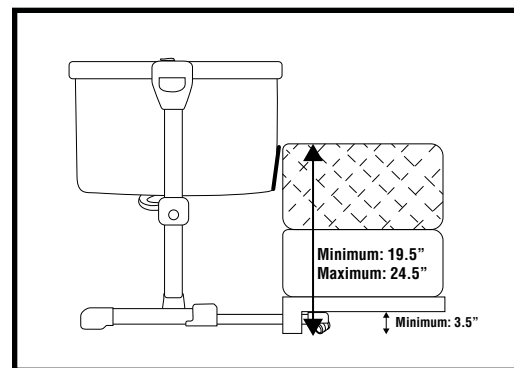
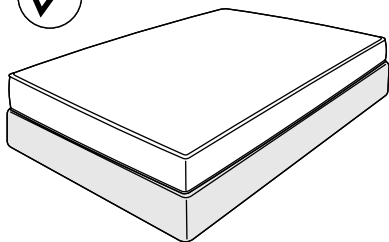
ENTRAPMENT HAZARD:

To prevent death from entrapment, the bedside sleeper must be properly secured to adult bed using the attachment system.

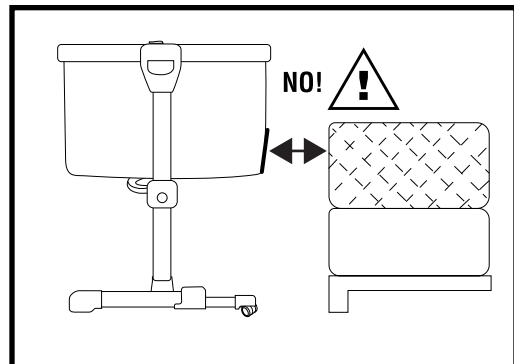
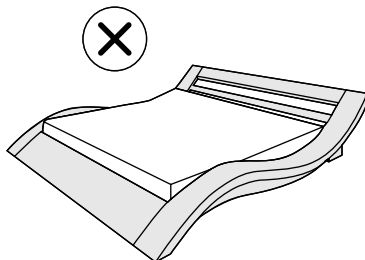
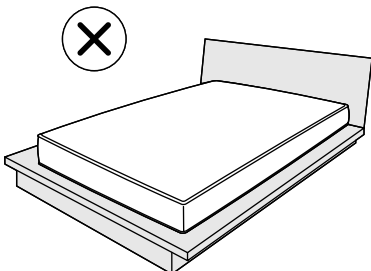
- (1) There must be no more than 13mm gap between the bedside sleeper and the adult bed.
- (2) Check tightness before each use by pulling bedside sleeper in a direction away from adult bed.
- (3) If gap exceeds 13mm, DO NOT use product. Do not fill the gap with pillows, blankets or other items that are suffocation hazards.

- DO NOT use bedside sleeper if any parts are missing, damaged or broken. Contact the manufacturer for replacement parts and instructional literature if needed. DO NOT substitute parts.
- To avoid death from the infant's neck being caught on the top rail on the side that is next to the adult bed, the top rail must be no higher than the adult bed mattress.
- This bedside sleeper is designed for use only with adult beds that are between 19.5 and 24.5 inches from floor to top of adult mattress.

THIS BEDSIDE SLEEPER MUST BE ONLY USED WITH STANDARD TYPE ADULT BEDS:

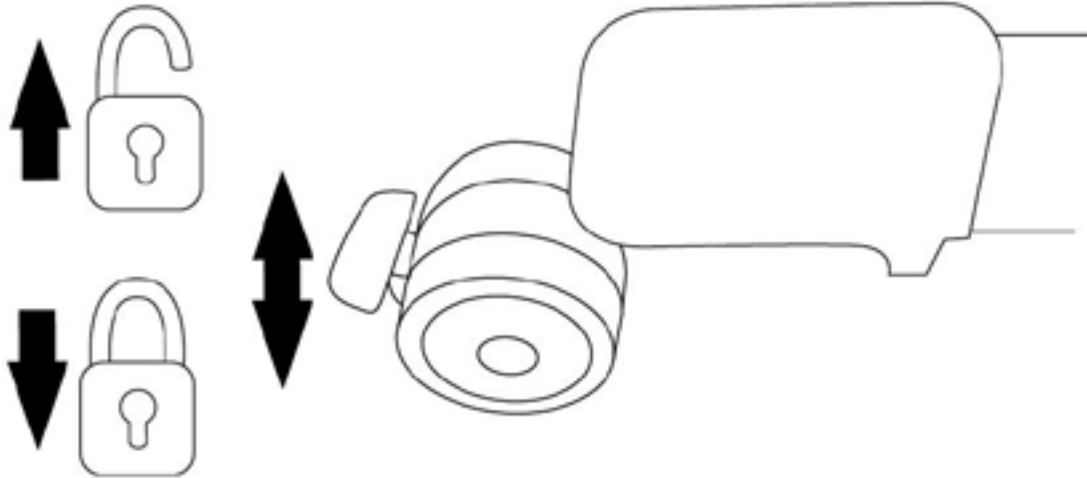


DO NOT USE the bedside sleeper with atypical shape beds:



Locking the Wheels

Fig. 16



1

- To lock the bassinet wheels, push down on the button found on each of the 2 wheels (Fig. 16).
- To unlock the bassinet wheels, pull up the button found on each of the 2 wheels. (Fig. 16)

Consumer Information



Read all instructions BEFORE assembly and USE of product. KEEP INSTRUCTIONS FOR FUTURE USE.

CAUTION: - Changes or modifications not expressly approved by the party responsible for compliance could void the user's authority to operate the equipment.

Care and Maintenance

- The frame, mattress pad, and storage basket may be wiped clean using a mild cleaning solution and a damp cloth. Do not use bleach. Do not use harsh or abrasive cleaners. Rinse clean with water to remove residue. Do not immerse the frame.
- The sheet is machine washable. Wash it separately in cold water on the gentle cycle. Do not use bleach. Tumble dry separately on low heat and remove promptly.
- Always store product in a clean and dry place.
- Before each usage or assembly, inspect unit for damaged hardware, loose joints, missing parts or sharp edges. NEVER use this product if there are any loose or missing fasteners, loose joints, broken parts, or torn mesh/fabric. Check before assembly and periodically during use. Contact Delta Children Customer Service Department at gcs@DeltaChildren.com for replacement parts, repair or instructions.

DELTA♥CHILDREN

Delta Children's Products Corp.
114 West 26th Street
New York, NY 10001
gcs@DeltaChildren.com
www.DeltaChildren.com

follow us



@deltachildren