

# SIMMONS KIDS®

## DREAM ADJUSTABLE BEDSIDE BASSINET

### INSTRUCTION MANUAL

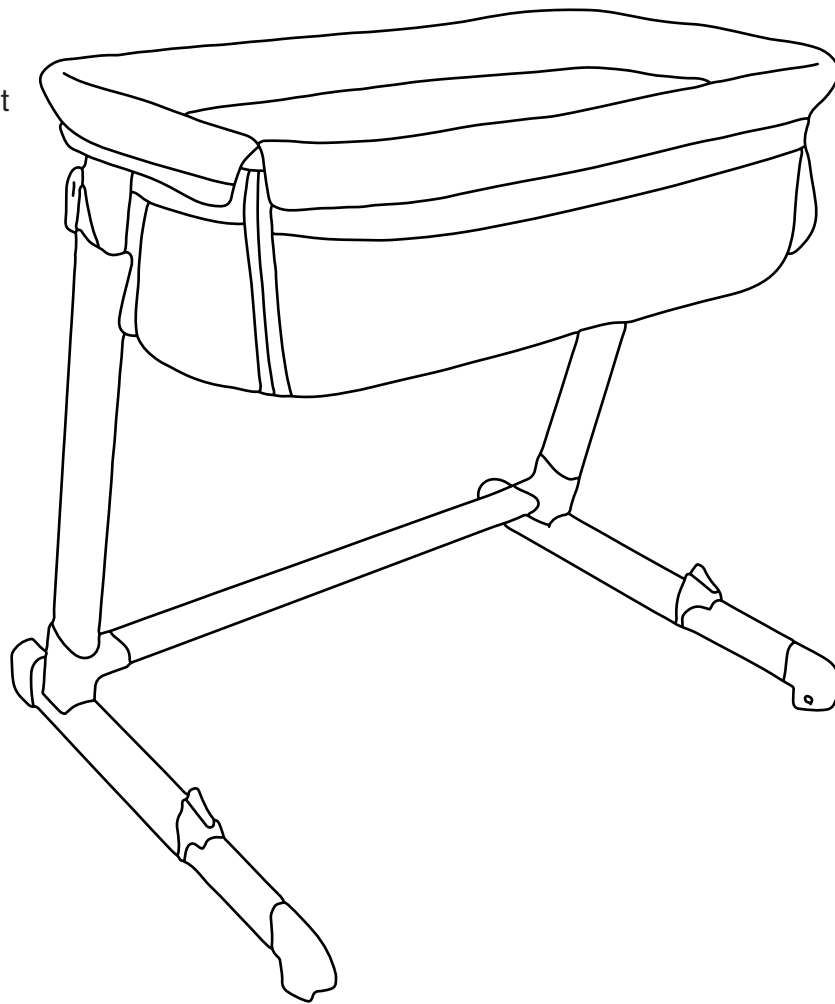
# 23351

Styles and colors may vary

#### ASSEMBLY INSTRUCTIONS

#### ▲ WARNING: CHOKING HAZARD

Adult assembly required because of small parts. Keep assembly parts out of reach of children under 3 years.



Read all instructions BEFORE assembly and USE of product  
KEEP INSTRUCTIONS FOR FUTURE USE.

Customer Experience Center  
email: [gcs@DeltaChildren.com](mailto:gcs@DeltaChildren.com)

DELTA♥CHILDREN

[www.DeltaChildren.com](http://www.DeltaChildren.com)



DCP-IM-11172021-F1

## Consumer Information



### WARNING

**WARNING:** Do not use this bassinet if you cannot exactly follow the accompanying instructions. Failure to follow these warnings and instructions could result in serious injury or death.

• **Read all instructions before assembling unit.**

**KEEP INSTRUCTIONS FOR FUTURE USE.**

**DO NOT USE THIS UNIT IF THE INSTRUCTIONS CANNOT BE STRICTLY FOLLOWED.**

• Before each usage or assembly, inspect unit for damaged hardware, loose joints, missing parts or sharp edges. NEVER use this product if there are any loose or missing fasteners, loose joints, broken parts, or torn mesh/fabric. Check before assembly and periodically during use. Contact Simmons Customer Service Department at [gcs@deltachildren.com](mailto:gcs@deltachildren.com) for replacement parts, repair or instructions.

## SUFFOCATION HAZARD

### Infants have suffocated:

- In gaps between an extra padding, a mattress (too small or too thick) and product sides.
- On soft bedding.
- Use only the pad provided by the manufacturer that is no thicker than 25 mm (1 in) and is of such a size that, when pushed against any side of the product, it does not leave a gap of more than 25 mm (1 in) between the mattress and sides.
- **NEVER** add a pillow, comforter or another mattress for padding.
- Remove any tools or excess parts including plastic packaging from bassinet vicinity after assembly.
- Always make sure both sides of the bassinet are adjusted at the same height position making the bassinet equally leveled.
- Do not use the body of the bassinet without its frame.

**FALL HAZARD:** For use from birth to 5 months or until your baby begins to push up on their hands and knees, whichever comes first.

- To reduce the risk of SIDS, pediatricians recommend healthy infants be placed on their backs to sleep, unless otherwise advised by your physician.
- Always attach all provided fasteners tightly according to the instructions. Check frequently. Do not use if there are any loose or missing parts or signs of damage. Do not substitute parts. Contact the manufacturer for replacement parts.
- Always pull out legs to full extension when in use.
- Use bassinet with only one child at a time.
- Strings can cause strangulation! DO NOT place items with a string around a child's neck, such as hood strings or pacifier cords. DO NOT suspend strings over a product or attach strings to toys.
- Toys are not to be "mouthed" by the baby and should be positioned clearly out of reach of the baby's face and mouth.
- Do not place medication, small toys, small items, cords, straps or similar items that could become wound around the child's neck in or near this product and do not place product near a window, patio door, heater, or power outlet.
- If a sheet is used with the pad use only the one provided by Delta Children or one specifically the dimension of the bassinet mattress.
- Always check that the bassinet is securely locked on the base/stand by pulling upwards on the bassinet bed.

# ! WARNING !

**WARNING:** Do not use this bassinet if you cannot exactly follow the accompanying instructions. Failure to follow these warnings and instructions could result in serious injury or death.

## SUFFOCATION HAZARD

### Infants have suffocated:

- In gaps between extra padding, a mattress (too small or too thick) and product sides.
- On soft bedding

Use only the pad provided by the manufacturer that is no thicker than 25 mm (1 in) and is of such a size that, when pushed against any side of the product, it does not leave a gap of more than 25 mm (1 in) between the mattress and sides.

- **NEVER** add a pillow, comforter, or another mattress for padding.

- If a sheet is used with the pad, use only the one provided by the manufacturer or one specifically designed to fit the dimension of the bassinet mattress.
- Remove any tools or excess parts including plastic packaging from bassinet vicinity after assembly.
- Always make sure both sides of the bassinet are adjusted at the same height position making the bassinet equally leveled.
- Do not use the body of the bassinet without its frame.

**FALL HAZARD:** To help prevent falls, DO NOT use this product when the infant begins to push up on hands and knees or has reached manufacturer's recommended maximum weight of 13.6kg (30lb), whichever comes first.

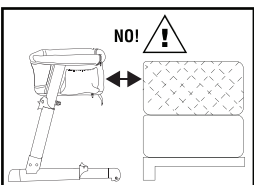
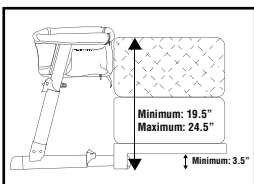
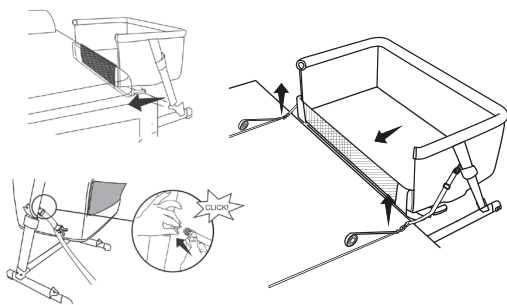
- To reduce the risk of SIDS, pediatricians recommend healthy infants be placed on their backs to sleep, unless otherwise advised by your physician.
- Always attach all provided fasteners tightly according to the instructions. Check frequently. Do not use if there are any loose or missing parts or signs of damage. Do not substitute parts. Contact the manufacturer for replacement parts.

**ENTRAPMENT HAZARD:** To prevent death from entrapment, bedside sleeper must be properly secured to adult bed using the attachment system

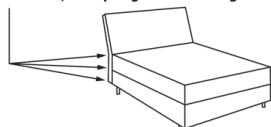
- There must be no more than 1/2 in. (13mm) gap between bedside sleeper and adult bed.
- Check tightness before each use by pulling bedside sleeper in a direction away from adult bed
- If gap exceeds 1/2 in. (13mm), DO NOT use product. Do not fill the gap with pillows, blankets or other items that are suffocation hazards.
- Always read and follow assembly instructions for each product mode (bedside sleeper, bassinet, play yard).
- Always use ALL required parts for each mode. Check instruction manual for a list of required parts. Periodically check product for loose, damaged or missing parts.
- To avoid death from the infant's neck being caught on the top rail on the side that is next to the adult bed. The top rail must be no higher than the adult bed mattress.

# ! WARNING !

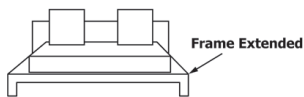
**WARNING:** Never use this product in bedside sleeper mode without the attachment system securely attached to the adult bed



Mattress, Boxsprings & Frame aligned



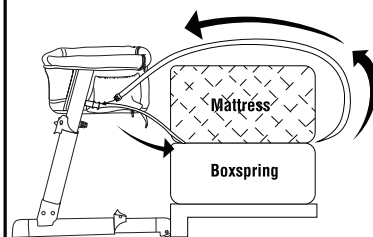
ACCEPTABLE BED FRAME IN-LINE



UNACCEPTABLE BED, MATTRESS, BOXSPRING & FRAME NOT IN-LINE

# ! WARNING:

- Attachment system must ALWAYS be used while in bedside sleeper mode



DCP11152021-EN-V2

# ! WARNING:

- Always pull out legs to full extension when in use.

DCP07112017-EN-V1



## **Before returning this product to the store! Let's see if we can assist you!**

- **Not sure how to assemble our product?**

Visit our site for easy to follow instructions along with some Tricks and Tips assembly videos <https://www.deltachildren.com/pages/instructions>

- **If you are missing a piece or have a damaged part**

Please contact our Consumer Experience Center for assistance at 646-435-8726 or email [gcs@DeltaChildren.com](mailto:gcs@DeltaChildren.com). To better assist you please have your Style# or Model# and Lot# available. This can be found on a white rectangular sticker on your product, on the registration card, and on the product's box.

- **In the event we do not have a replacement part available**

You may need to return your product to the retailer for an exchange or refund.

- **Warranty**

In order to protect your investment, don't forget to register your product. You may also wish to consider purchasing our extended warranty.

Visit <https://www.deltachildren.com/pages/extended-warranty> for more details.

- **Please note:**

"All Final", "As Is" or Third Party/Liquidator sales are not covered under our Limited Manufacturer Warranty.

# DELTA CHILDREN

## LIMITED MANUFACTURER WARRANTY

This Delta product is warranted to be free from defects for a period of 90 days from the date of purchase under normal use. If a product is defective during this period, we will at our option repair or replace the defective part or product. This limited warranty extends only to the original retail purchaser and is valid only when supplied with proof of purchase, or if received as a gift, when the registration is on file with Delta.

This limited warranty does not cover the following:

- Products purchased as floor models or samples.
- Items purchased on an “as-is” basis, as a second hand product, or as a resale product.
- Items purchased at a Final sale, a “Going out of Business” sale, or a Liquidation sale. This limited warranty gives you specific legal rights and you may also have other rights which vary from state to state.

This limited warranty gives you specific legal rights and you may also have other rights which vary from state to state.

**TO REGISTER YOUR PRODUCT** for important safety alerts and updates to your product please visit [www.deltachildren.com](http://www.deltachildren.com)

**TO REPORT A PROBLEM**, please log on to [www.deltachildren.com](http://www.deltachildren.com) and click the Consumer Care Tab, or contact us by phone at (646) 435-8726

Date of Purchase: \_\_\_\_\_ (you should also keep your receipt)

## EXTENDED WARRANTY

### DON'T MISS YOUR CHANCE TO BE COVERED FOR ALL OF LIFE'S MISHAPS!

With Delta's Extended Warranty, you're covered for mechanical failure from normal use or if your item stops working due to normal wear and tear, plus all those unexpected surprises.

## 2 YEARS OF PROTECTION

**For Additional Information:**

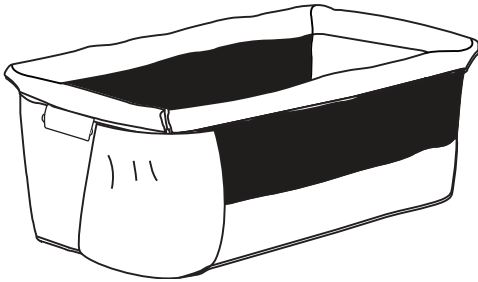
**Simply visit our Website, register your product, and add the Extended Warranty**

**<https://www.deltachildren.com/pages/product-registration>**

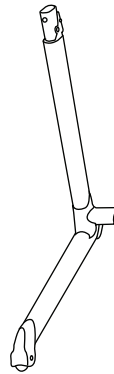
Extended Warranty only available in the following States: Arkansas, Colorado, Delaware, District of Columbia, Georgia, Idaho, Illinois, Indiana, Iowa, Kansas, Kentucky, Louisiana, Maryland, Michigan, Mississippi, Missouri, Nebraska, Nevada, New Hampshire, New York, North Carolina, North Dakota, Pennsylvania, Rhode Island, South Dakota, Tennessee, Utah, West Virginia

# Parts

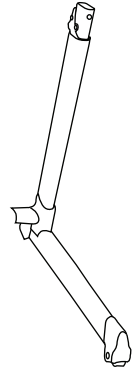
**IMPORTANT!** Please remove all parts from the package and identify them before assembly.



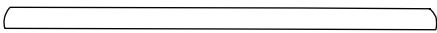
**Bassinet Body  
with Mattress**



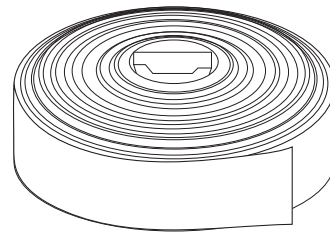
**Left Side Frame  
Stand with Wheel**



**Right Side Frame  
Stand with Wheel**

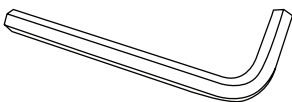


**Bottom Cross Support Bar**



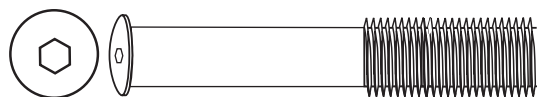
**Securing Strap x2**

## Hardware

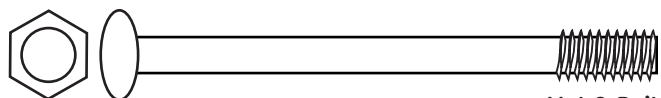


**Hex Wrench**

\*Screws are actual size to scale



**M6 Hex Screw (X4)**



**Nut & Bolt**

# Assembly

## Bassinet Frame Assembly

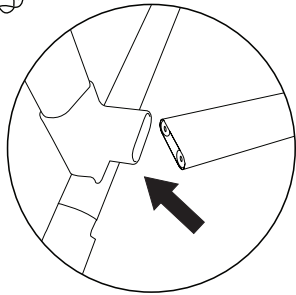
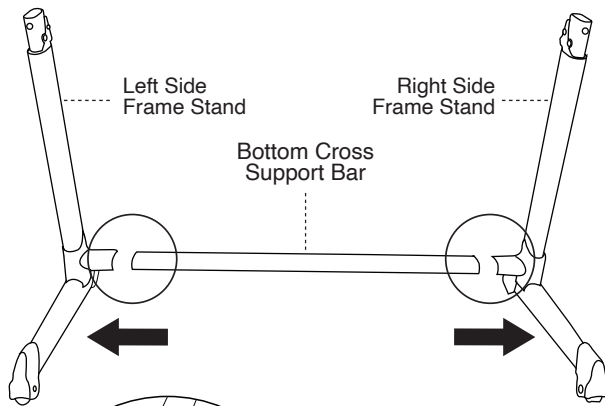


Fig. 1  
Insert support bar into  
side frame stand

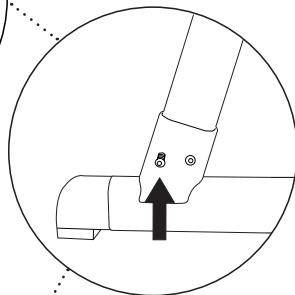


Fig. 1A  
Secure side frame  
stand and support  
tube with screw

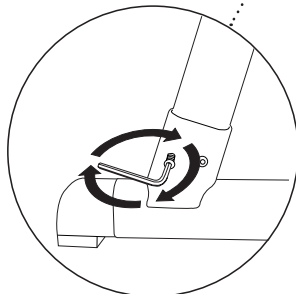


Fig. 1B  
Tighten screws with  
wrench clockwise

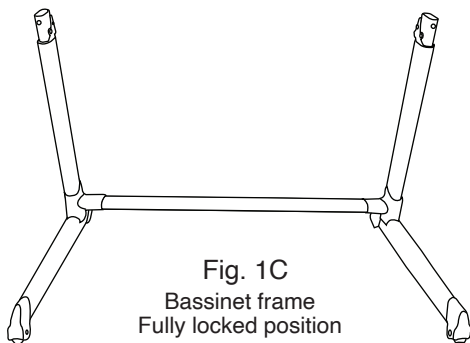


Fig. 1C  
Bassinet frame  
Fully locked position

1

- Insert support bar to the left side frame stand (Fig. 1). Secure with the two screws (Fig. 1A). Use the wrench to tighten screws in clockwise direction (Fig. 1B). Repeat for the right side frame stand. Make sure frame is in a fully locked position (Fig. 1C) pull outward on left and right side frames.

## Leg Extension

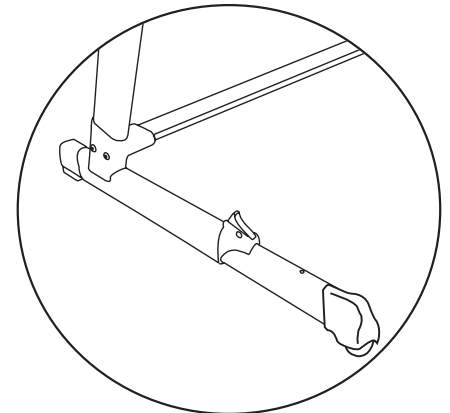
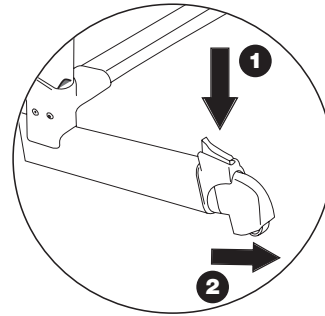
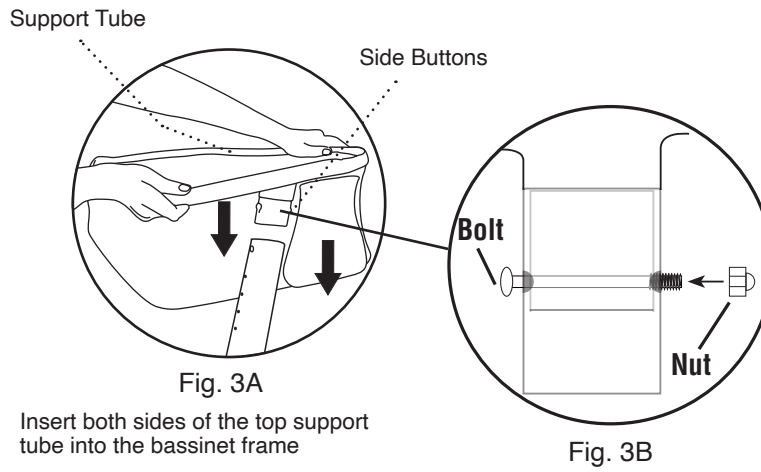


Fig. 2

2

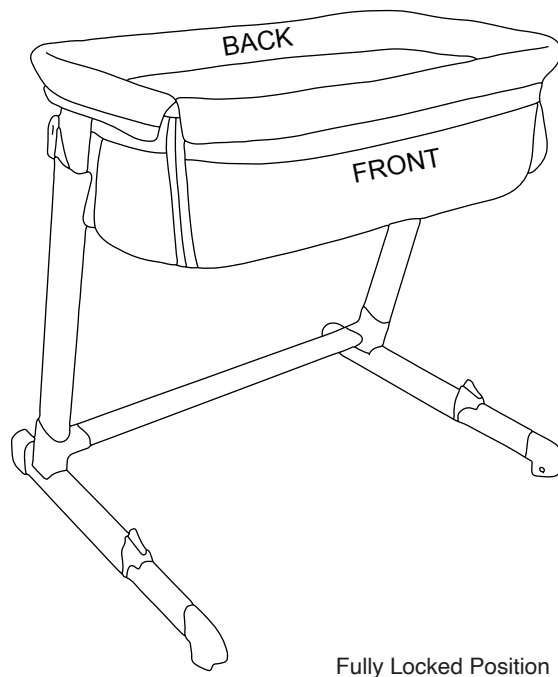
- Fully extend both sides of the bassinet legs by pressing the button located on top of the bassinet legs 1 and pull outward 2 to fully extended position (Fig. 2)

# Assembly



3

**STEP 1: Align top back support tube to the side frames.**  
Insert both sides of the top support tube into the bassinet frame (Fig. 3A). Secure by inserting bolt through holes and screwing nut clockwise (Fig. 3B).



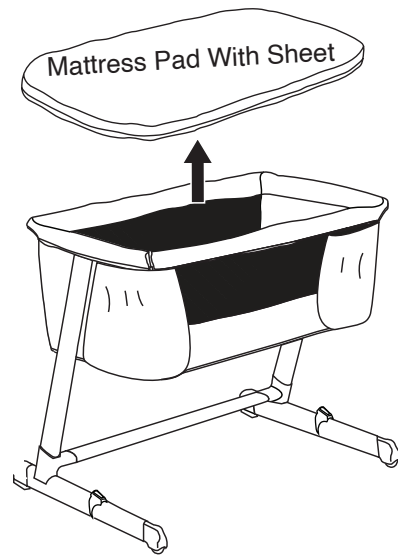


# Height Adjustment

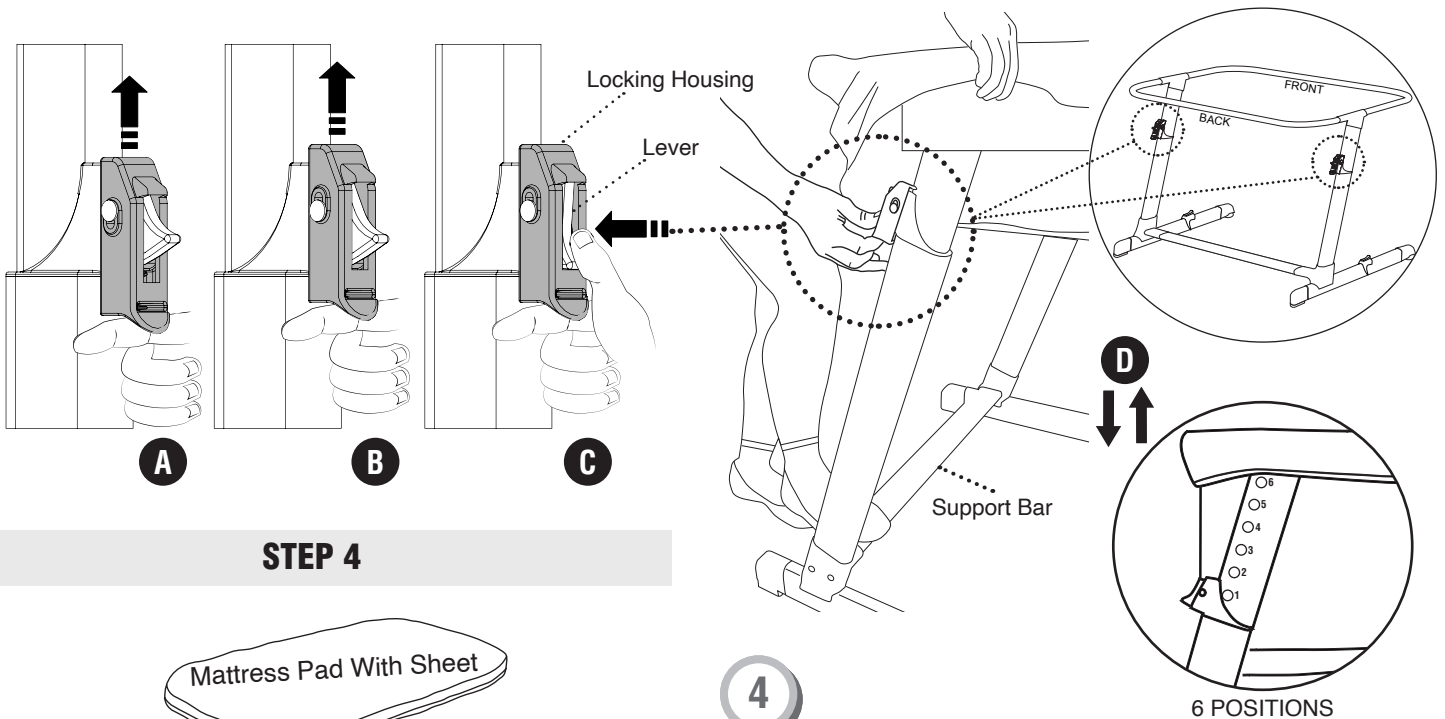
## STEP 1

**WARNING: NEVER** adjust height with baby inside.

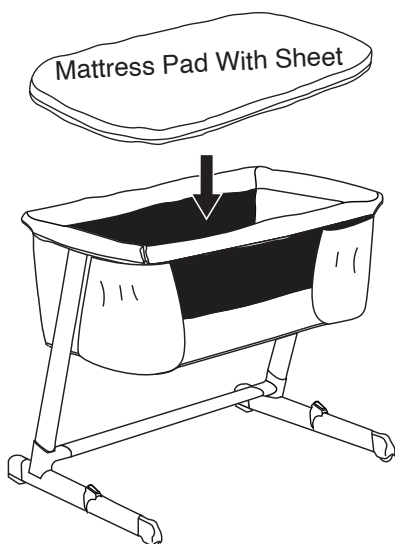
**NOTE:** To adjust up or down you must unlock EACH SIDE separately.



## STEP 2 & 3



## STEP 4



4

6 POSITIONS

**STEP 1:** Remove mattress support pad

**STEP 2:** Locate left side locking housing (A), push and hold up from underneath locking housing (B). Then press the lever inward (C) and move top rail up or down into desired position. There are 5 positions total (D).

**STEP 3:** Repeat STEP 2 on the right side.

**NOTE:** Make sure the bassinet is equally level.

**STEP 4:** Insert mattress pad

**NOTE:** The mattress support pad should fully cover the bassinet bottom. No excess fabric should show on the edges.

# Consumer Information



## WARNING

**WARNING:** Always read and follow assembly instruction for each product use mode (bassinet and bedside sleeper).

Always use ALL required parts for each use mode. Check instruction manual for a list of required parts. Periodically check product for loss, damaged or missing parts. Keep instruction for future use.

The bedside sleeper is designed to provide a sleeping area for an infant until he or she begins to push up on hands and knees or approximately 5 months of age. Move your child to another sleeping product when your child reach this stage.

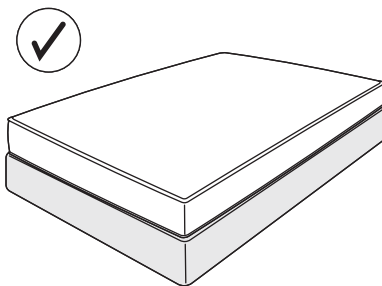
### ENTRAPMENT HAZARD:

To prevent death from entrapment, the bedside sleeper must be properly secured to adult bed using the attachment system.

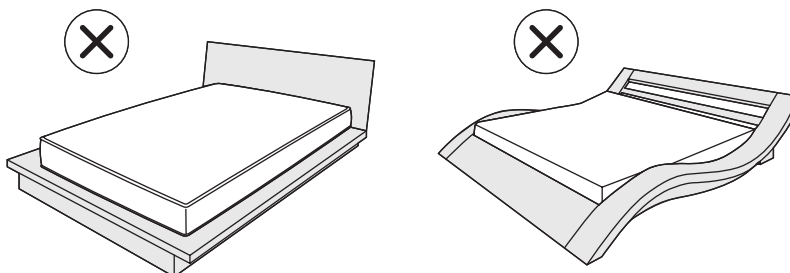
- (1) There must be no more than 13mm gap between the bedside sleeper and the adult bed.
- (2) Check tightness before each use by pulling bedside sleeper in a direction away from adult bed.
- (3) If gap exceeds 13mm, DO NOT use product. Do not fill the gap with pillows, blankets or other items that are suffocation hazards.

- DO NOT use bedside sleeper if any parts are missing, damaged or broken. Contact the manufacturer for replacement parts and instructional literature if needed. DO NOT substitute parts.
- To avoid death from the infant's neck being caught on the top rail on the side that is next to the adult bed, the top rail must be no higher than the adult bed mattress.
- This bedside sleeper is designed for use only with adult beds that are between 27.5 and 33 inches from floor to top of adult mattress.

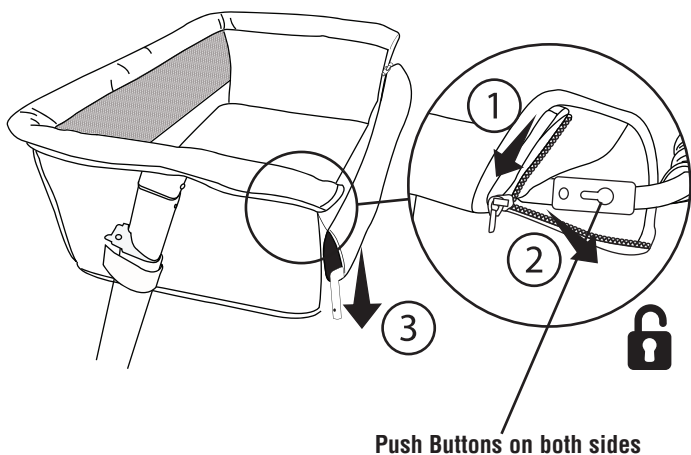
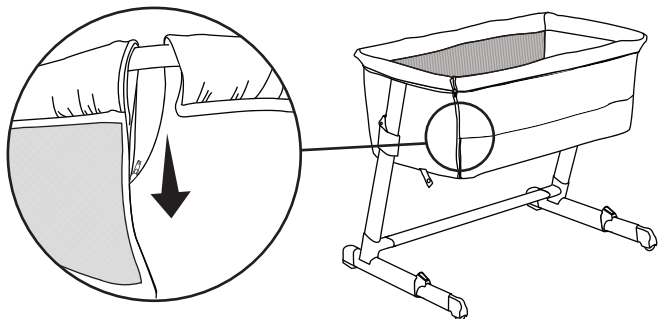
### THIS BEDSIDE SLEEPER MUST BE ONLY USED WITH STANDARD TYPE ADULT BEDS:



### DO NOT USE the bedside sleeper with atypical shape beds:



# Co-sleeper Mode

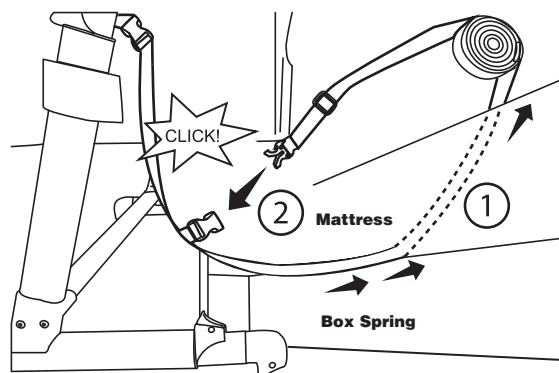
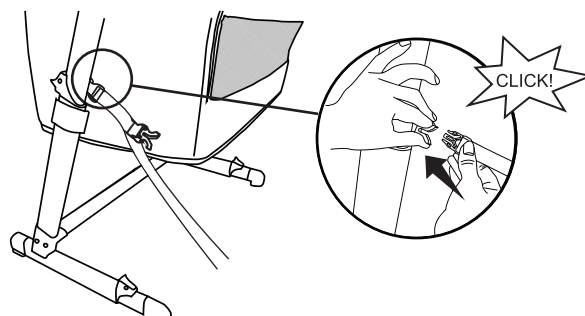
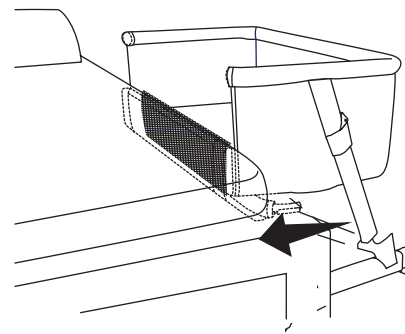


1

- Open the crib using the side zips. Ensure they are fully open.
- Press the buttons on both sides of the plastic joint to release and remove it from the tubes.
- Once this operation has been performed on both sides, lower the side of crib and attach it to the base of the crib main body using the straps with press studs.

Close the zipper to cover the joint.

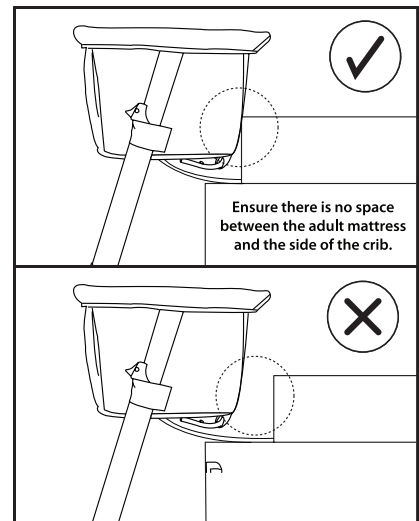
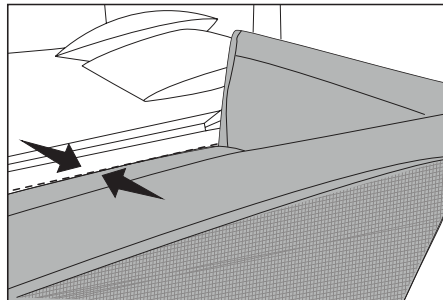
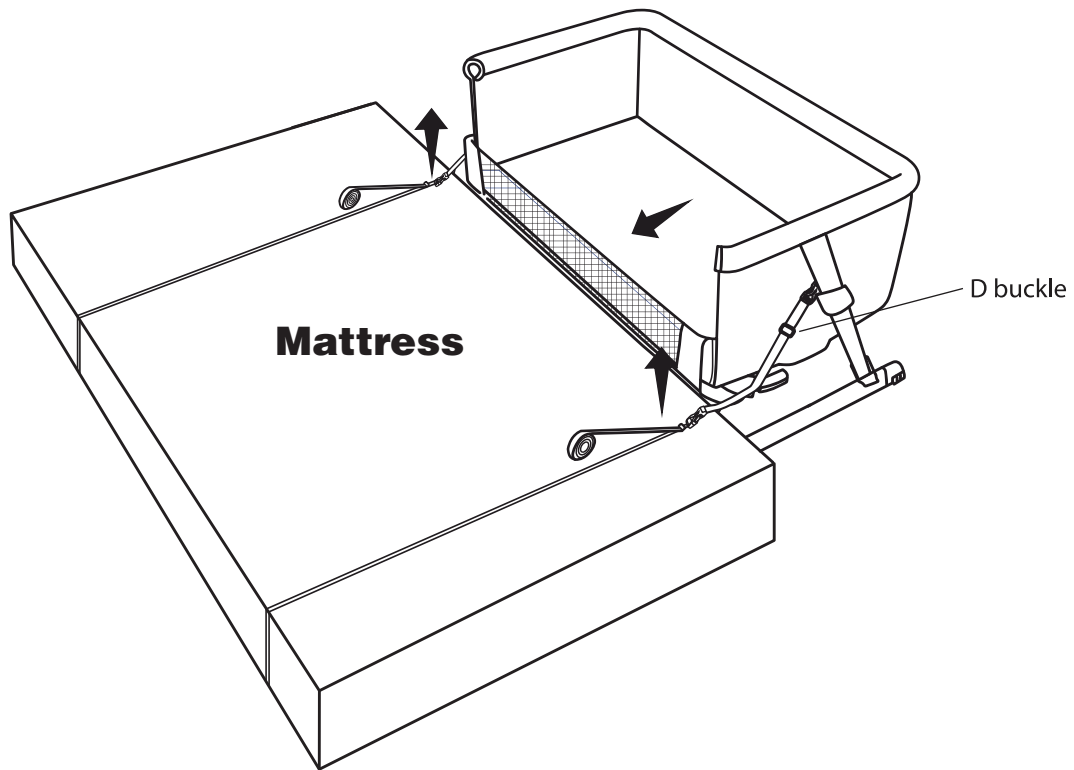
**WARNING!** Use the crib with the side panel lowered in “Co-sleeping mode” only.



2

- Move the crib close to the adult bed and check the height of the crib compared with the mattress of the bed.  
**WARNING!** The height of the adult mattress should always be more than that of the side support for containment of the crib.  
**WARNING!** In “co-sleeping mode” the 2 legs of the crib should always be adjusted to the same height.
- Use the pair of straps provided to fix the co-sleeper to the adult bed. Fasten the strap buckle to the inner side of the left frame. Repeat for the right frame.
- Run the left strap in-between the mattress and box spring, looping around the other side of the mattress. Bring the strap back over the mattress top to the bassinet and fasten the buckle to finish.  
**WARNING!** Ensure all webbing strap buckles are fastened before continuing

# Co-sleeper Mode



3

- To secure the crib to the adult bed, adjust the “D” buckle to tighten and pull the straps once more to ensure the co-sleeper is properly and firmly secured to the adult bed.

**WARNING!** The height of the adult mattress should always be more than that of the side support for containment of the crib.

**WARNING!** Before every use always check to ensure that there is no space between the adult mattress and the side of the crib.

If there is, pull the belts firmly to tighten until there’s no space and the required condition of use has been restored.

**WARNING!** During use, ensure that the adult bed sheets, blankets etc. do not enter and cover the interior of the crib.

# Disassembly

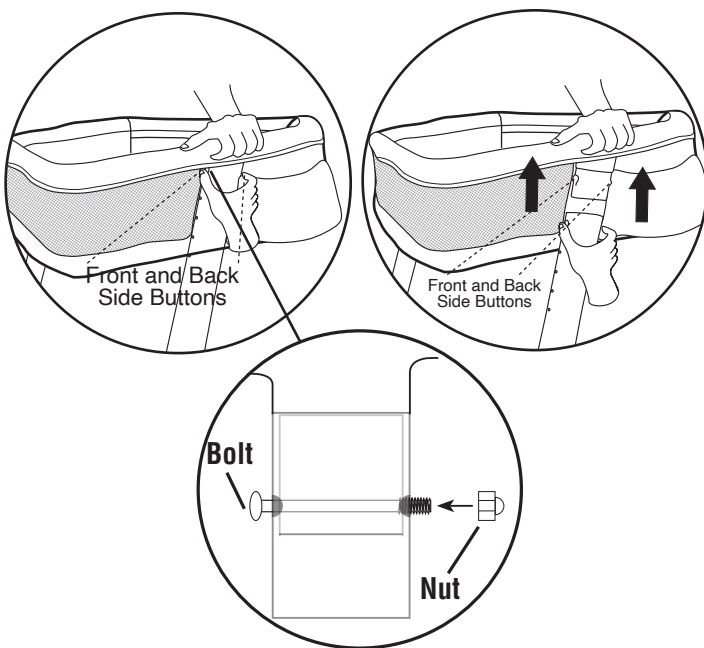


Fig. 2A

Undo nut and bolt, then press front and back side buttons on the support tube and lift upward to remove. Repeat on opposite side.

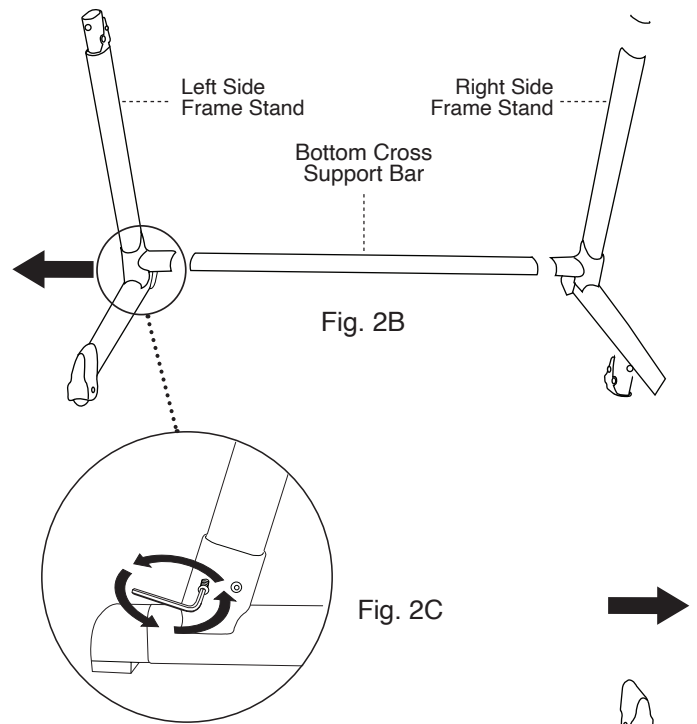


Fig. 2B

Fig. 2C

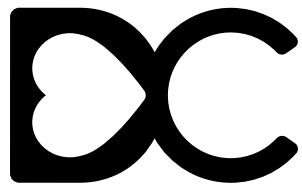
1

- Undo nut & bolt by unscrewing counter-clockwise, then press front and back side buttons together and pull upward on tube to remove (Fig.2A).
- Press both side buttons on the support tube and lift upward to remove. Repeat on opposite side (Fig.2B). Repeat on the other side.
- Unscrew screws left and right side frame (Fig. 2C).

## Care and Maintenance

- Check bassinet for worn parts, torn material or stitching periodically.
- Replace or repair the parts as needed. Use Delta replacement parts.
- The bassinet fabric cover is machine washable. Wash them separately in cold water on the gentle cycle. Do not use bleach. Tumble dry separately on low heat and remove promptly.
- The frame may be wiped clean using a mild cleaning solution and a damp cloth. Do not use bleach. Do not use harsh or abrasive cleaners. Rinse clean with water to remove residue. Do not immerse the frame.
- Before each usage or assembly, inspect unit for damaged hardware, loose joints, missing parts or sharp edges. NEVER use this product if there are any loose or missing fasteners, loose joints, broken parts, or torn mesh/fabric. Check before assembly and periodically during use. Contact Simmons Customer Service Department at 646-435-8726 for replacement parts, repair or instructions.





DELTACHILDREN

**Delta Children's Products Corp.**

114 West 26<sup>th</sup> Street  
New York, NY 10001  
gcs@deltachildren.com  
www.DeltaChildren.com

follow us



@deltachildren