

Jeep[®]
by DELTA CHILDREN

PowerGlyde[®]
3 in 1 Stroller

INSTRUCTION MANUAL

ADULT ASSEMBLY REQUIRED

STYLES AND COLORS MAY VARY

11110



**⚠ WARNING:
CHOKING HAZARD**

Adult assembly required because of small parts. Keep assembly parts out of reach of children under 3 years.

Read all instructions BEFORE assembly and USE of product
KEEP INSTRUCTIONS FOR FUTURE USE.

Customer Experience Center
email: gcs@DeltaChildren.com



DELTA CHILDREN

www.DeltaChildren.com

DCP-IM-02232024-F1

WARNING

WARNING: Please follow all of these instructions to ensure the safety of your child.

Keep these instructions for future reference.

WARNING: Failure to follow these instructions could result in serious injury or death.

- Avoid serious injury from falling or sliding out. **ALWAYS** insure that the child is properly positioned by using the safety harness according to these instructions. **ONLY** children who have developed enough upper body control to sit without leaning forward can use the front seat in the upright position.
- **NEVER** leave children unattended.

WARNING: CHOKING HAZARD Adult assembly required because of small parts.

Keep (assembly parts) out of reach of children under 3 years.

CAUTION: Purses, shopping bags, parcels, diaper bags or accessory items may change the balance of the stroller and cause hazardous unstable conditions.

TO PREVENT INJURY

- Never leave the stroller on a sloping surface with the child in it, even if the brake is activated.
- Do not allow children to stand on the seat or footrest.
- Do not lift and carry the stroller when the child is seated. The stroller may slip or the guard rail may come off.
- Always apply the brakes whenever the stroller is stationary.
- Make sure all body parts are clear of the stroller when folding and unfolding.
- The maximum weight that can be carried in the lower basket, and child tray, each is 4.4 lbs (~2 kg). Excessive weight may cause a hazardous unstable condition to exist.
- Before allowing the children near the stroller, be certain the stroller is fully erect and latched in the open locked position.
- Use of the **stroller** with children weighing more than 35 pounds (15.87 kg) or over 42 inches (106.7 cm) tall, may cause a hazardous unstable condition to the stroller.
- Use of the **carriage** with children weighing more than 15 pounds (6.80 kg) may cause a hazardous unstable condition to the stroller.
- **NEVER** use the stroller on stairways or escalators.
- **NEVER** allow your stroller to be used as a toy.
- **NEVER** use the stroller in conjunction with bicycles, skateboards, roller skates, or in-line skates.
- We recommend that the child occupant needs to be 6 months of age, at the minimum, before use of the stroller.

Product features and decorations may vary from the photo.

WHEN USED IN THE INFANT CARRIER MODE

SUFFOCATION HAZARD: Infant carrier can roll over on soft surfaces and suffocate child.

Never place carrier on beds, sofas, or other soft surfaces.

STRANGULATION HAZARD: Children have strangled in loose or partially buckled harness traps.

Fully restrain the child at all times.

FALL HAZARD: Child's activity can move the carrier.

- Never Place Carrier on counter tops, tables, or any other elevated surface.
- Never use this carrier as a means to transport an infant in a motor vehicle.

CARE AND MAINTENANCE

- To clean the plastic parts on stroller use a mild cleaning solution with warm water on a sponge or damp cloth. Hand wash fabric with damp cloth and air dry. Do not use bleach.
- To keep your stroller wheels from squeaking, use silicone or graphite based lubricant.
- Check your stroller for loose screws, worn parts, torn material or stitching on a regular basis. Replace or repair parts as needed, discontinue use of stroller if it should become damaged or malfunctions.
- Strong sun exposure may cause aging and color fading.



Before returning this product to the store! Let's see if we can assist you!

- **Not sure how to assemble our product?**

Visit our site for easy to follow instructions along with some Tricks and Tips assembly videos <https://www.deltachildren.com/pages/instructions>

- **If you are missing a piece or have a damaged part**

Please email gcs@DeltaChildren.com. To better assist you please have your Style# or Model# and Lot# available. This can be found on a white rectangular sticker on your product, on the registration card, and on the product's box.

- **In the event we do not have a replacement part available**

You may need to return your product to the retailer for an exchange or refund.

- **Warranty**

In order to protect your investment, don't forget to register your product.

You may also wish to consider purchasing our extended warranty.

Visit <https://www.deltachildren.com/pages/extended-warranty> for more details.

- **Please note:**

"All Final", "As Is" or Third Party/Liquidator sales are not covered under our Limited Manufacturer Warranty.

DELTA CHILDREN

LIMITED MANUFACTURER WARRANTY

This Delta product is warranted to be free from defects for a period of 90 days from the date of purchase under normal use. If a product is defective during this period, we will at our option repair or replace the defective part or product. This limited warranty extends only to the original retail purchaser and is valid only when supplied with proof of purchase, or if received as a gift, when the registration is on file with Delta.

This limited warranty does not cover the following:

- Products purchased as floor models or samples.
- Items purchased on an “as-is” basis, as a second hand product, or as a resale product.
- Items purchased at a Final sale, a “Going out of Business” sale, or a Liquidation sale. This limited warranty gives you specific legal rights and you may also have other rights which vary from state to state.

This limited warranty gives you specific legal rights and you may also have other rights which vary from state to state.

TO REGISTER YOUR PRODUCT for important safety alerts and updates to your product please visit www.deltachildren.com

TO REPORT A PROBLEM, please log on to www.deltachildren.com and click the Consumer Care Tab, or contact us by email at gcs@deltachildren.com

Date of Purchase: _____ (you should also keep your receipt)

EXTENDED WARRANTY

DON'T MISS YOUR CHANCE TO BE COVERED FOR ALL OF LIFE'S MISHAPS!

With Delta's Extended Warranty, you're covered for mechanical failure from normal use or if your item stops working due to normal wear and tear, plus all those unexpected surprises.

2 YEARS OF PROTECTION

For Additional Information:

Simply visit our Website, register your product, and add the Extended Warranty

<https://www.deltachildren.com/pages/product-registration>

Extended Warranty only available in the following States: Arkansas, Colorado, Delaware, District of Columbia, Georgia, Idaho, Illinois, Indiana, Iowa, Kansas, Kentucky, Louisiana, Maryland, Michigan, Mississippi, Missouri, Nebraska, Nevada, New Hampshire, New York, North Carolina, North Dakota, Pennsylvania, Rhode Island, South Dakota, Tennessee, Utah, West Virginia

PARTS

IMPORTANT! Please remove all parts from the package and identify them before assembly.

IMPORTANT! Before assembly and each use, inspect this product for damaged hardware, loose joints, missing parts, or sharp edges. NEVER use if any parts are missing or broken. Contact manufacturer for replacement parts and instructions if needed. Never substitute parts. **IMPORTANT!** Adult assembly is required.



Stroller Frame



Seat Unit



Crotch Pad



Shoulder Pads



Child Bar



Front Wheel x 2



Rear Wheel x 2



Rear Wheel Axle



Rear Wheel Hub Caps



Canopy



Rear Wheel Locking Caps

ASSEMBLY

Remove stroller from box. The front wheels, rear wheels, reversible handle, and child tray need to be installed prior to use.

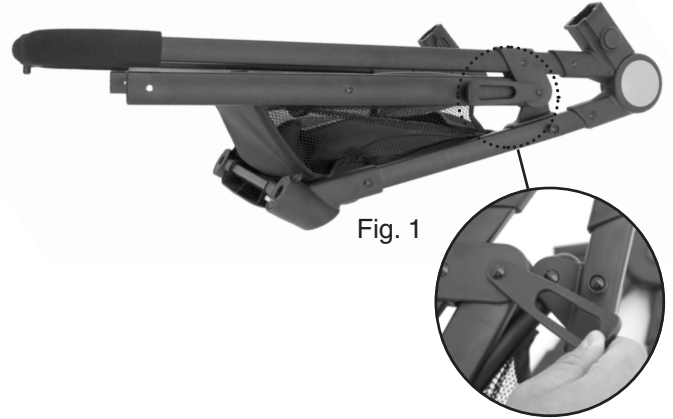


Fig. 1

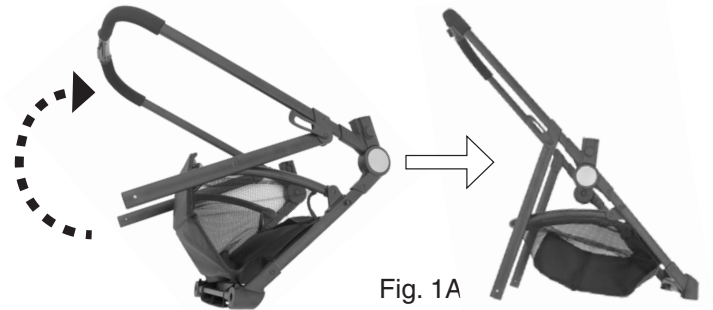


Fig. 1A

1

OPENING THE FRAME

- **To open the frame:** Unhook the latch, located on the right hand side of the stroller frame (Fig. 1)
- Lift the handlebar up until stroller frame locks into place (Fig. 1A)

ASSEMBLY

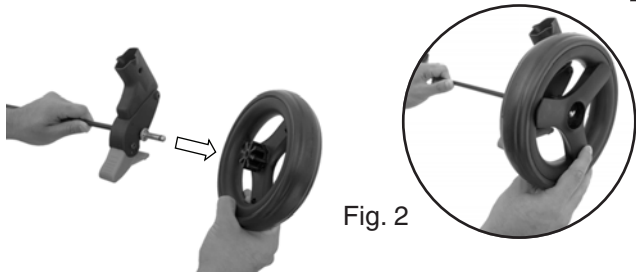


Fig. 2



Fig. 2A



Fig. 2B

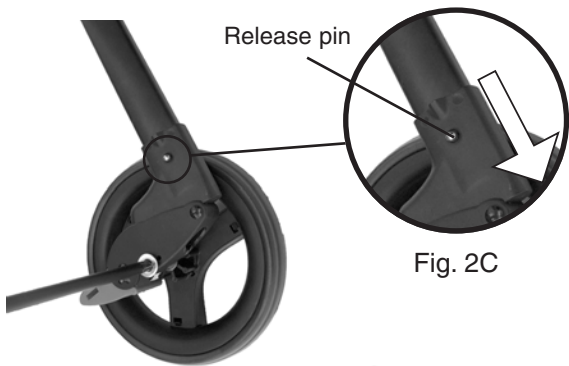


Fig. 2C



2

INSTALLING THE REAR WHEELS

- **To install the rear wheels,** Insert the axle through each rear wheel, with the axle going through the break cluster on the wheel first (Fig. 2).
- (1) Fix the smallest locking cap at the end of the axle to lock the wheel on, then (2) repeat with a washer, and then (3) the hub cap. Repeat this for both wheels, ensuring both sides are securely locked in place. (Fig. 2A).
- Once the wheels are fixed onto the axle, place the axle onto stroller frame by aligning and pushing up until you hear a 'CLICK' on both sides (Fig. 2B).
- **To remove the rear wheel axle,** push both release pins in, and pull away until the axle is clear of the stroller frame (Fig. 2C).

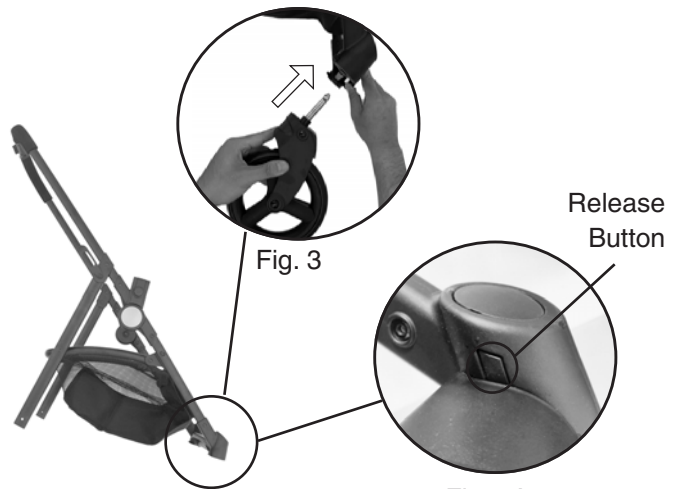


Fig. 3

Fig. 3A

3

INSTALLING & REMOVING THE FRONT WHEELS

- **To install front wheels,** Push each front wheel onto the front wheel bayonet until you hear a 'CLICK'. Ensure it is securely attached to the stroller before use. (Fig. 3)
- **To remove the front wheels,** locate the release button which can be found at the top of the wheel bayonet, on the inner side. Push the button in firmly and the wheel will disengage (Fig. 3A).

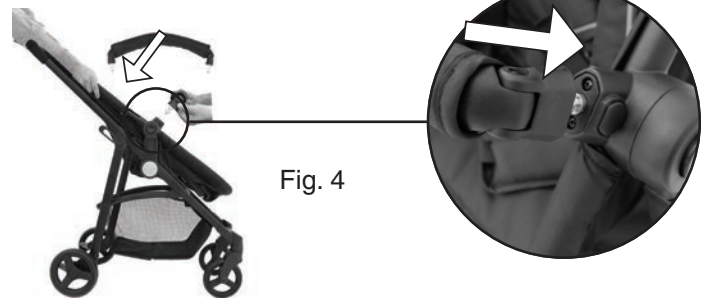


Fig. 4

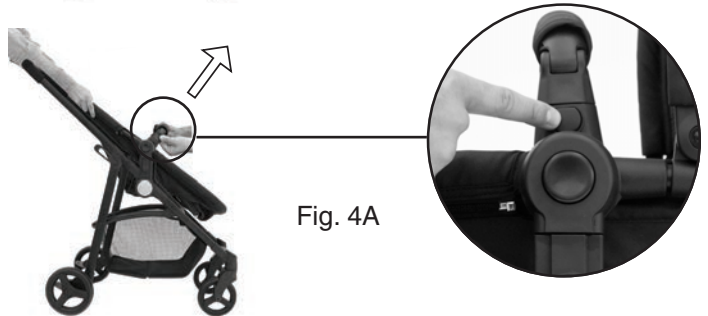


Fig. 4A

4

INSTALLING & REMOVING CHILD BAR

- **To install child bar:** Align the child bar with the fitting on the frame and push inwards until you hear a 'CLICK'. Child bar is properly inserted when safety release buttons are in the raised position (Fig. 4).
- **To remove child bar:** Push in safety release buttons on both sides and pull the child bar away from stroller frame (Fig. 4A).

ASSEMBLY

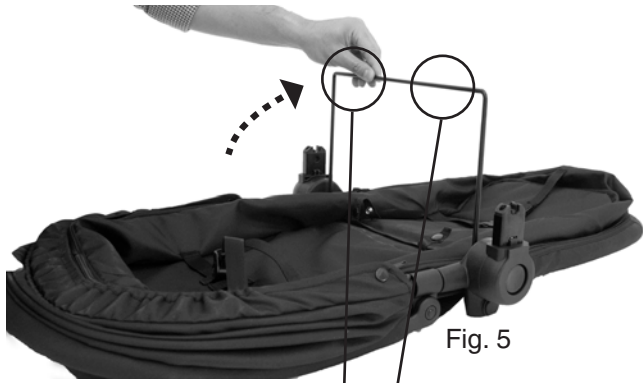


Fig. 5

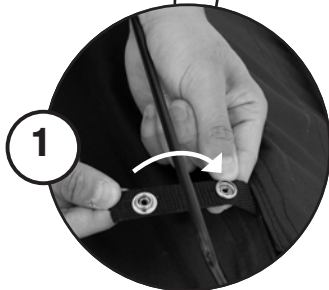


Fig. 5A

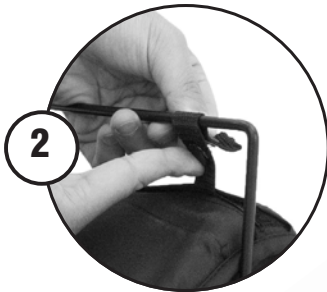


Fig. 5B



Fig. 5C



*Assembled

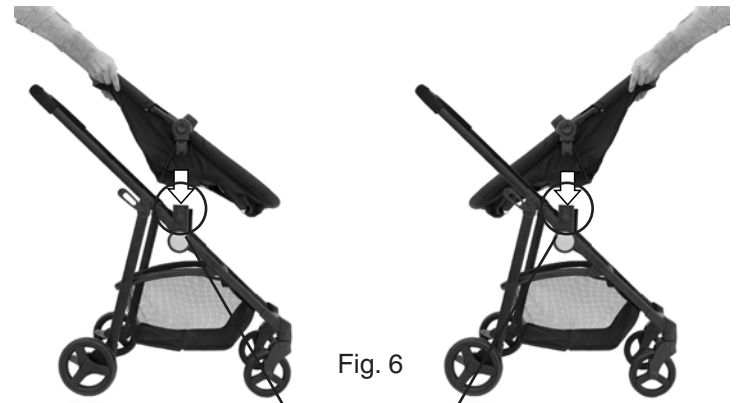


Fig. 6

CHILD FACING FORWARD

CHILD FACING PARENT



Fig. 6A

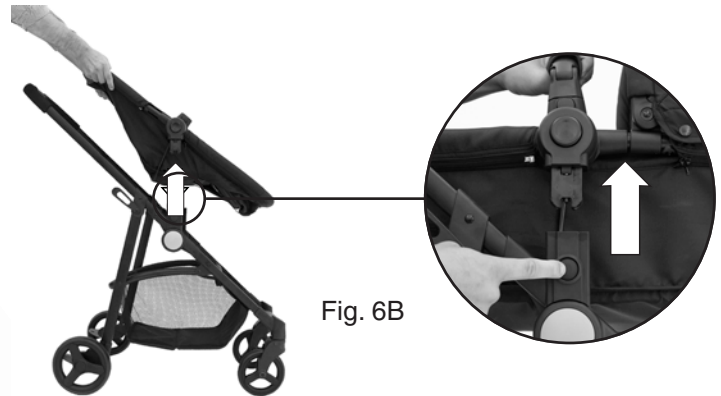


Fig. 6B

5

PREPARING THE SEAT UNIT

- **To prepare seat unit:** Locate the support bar attached to the bottom of seat unit and lift so that the bar is vertical. (Fig. 5).
- Align and wrap button straps around support bar (Fig. 5A, Fig. 5B).
- Clip together and repeat for the other side (Fig. 5C).
- **To undo seat unit:** Unclip buttons from support bar and return to flat position.

6

ATTACHING SEAT UNIT TO FRAME

- **To install seat unit,** align the seat unit with the corresponding holders on the stroller frame in preferred orientation; facing parent, or facing away from parent (Fig. 6).
- Push the seat unit downwards until both sides 'CLICK'. Ensure that the seat is securely fastened before use (Fig. 6A).
- **To remove seat unit,** press the release buttons on both sides of the stroller frame and lift the seat upwards. (Fig. 6B).

ASSEMBLY



Fig. 7A

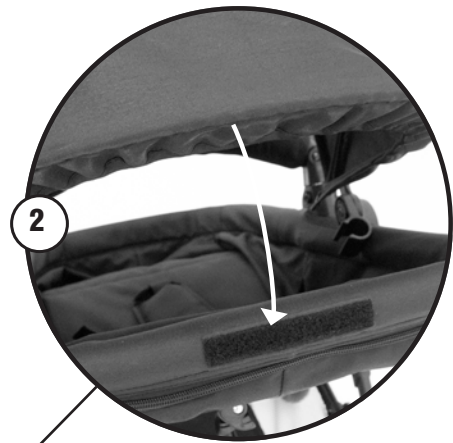


Fig. 7B



Fig. 7

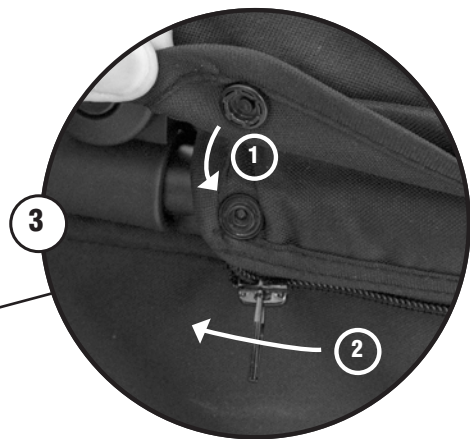


Fig. 7C

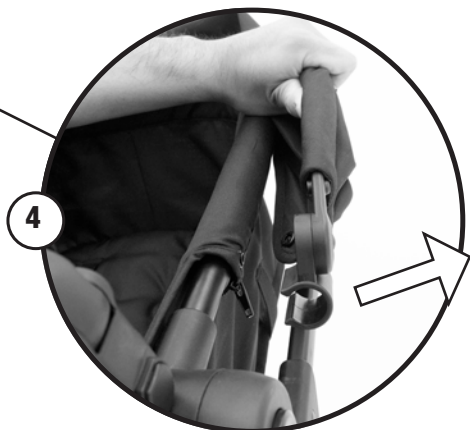


Fig. 7D

7

INSTALLING & REMOVING THE CANOPY

- **To install canopy**, Align the canopy clip with the stroller frame (Fig. 7).
- Press onto frame until you hear a “CLICK”. Repeat for other side (Fig. 7A).
- Attach top of canopy to Velcro to secure (Fig. 7B).
- Align zipper with frame, and clip buttons on both sides (Fig. 7C)
- **To remove canopy**, undo buttons and zipper, then pull clip away from stroller frame on both sides (Fig. 7D)

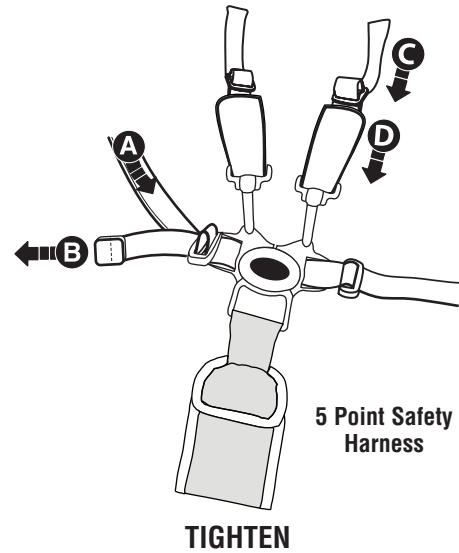
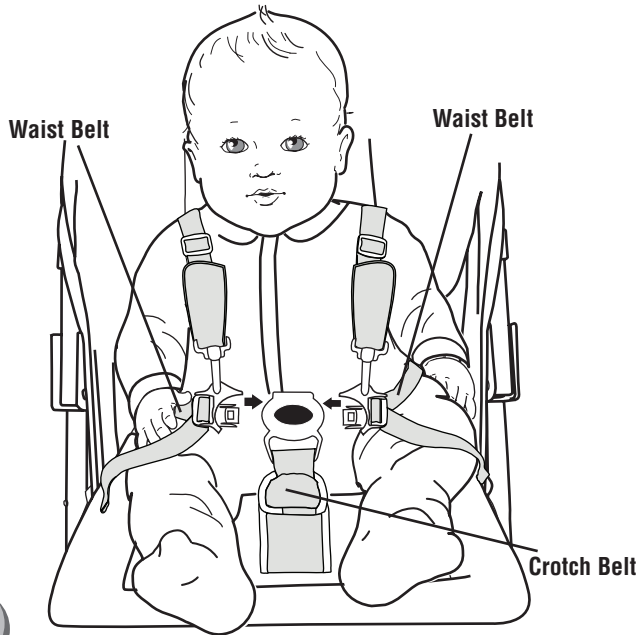
SECURING CHILD

Before Placing your Child in Stroller:

Close Canopy. Press both brake pedals down until they “click” into the locked position.

Make sure the brake pedals are pressed down completely.

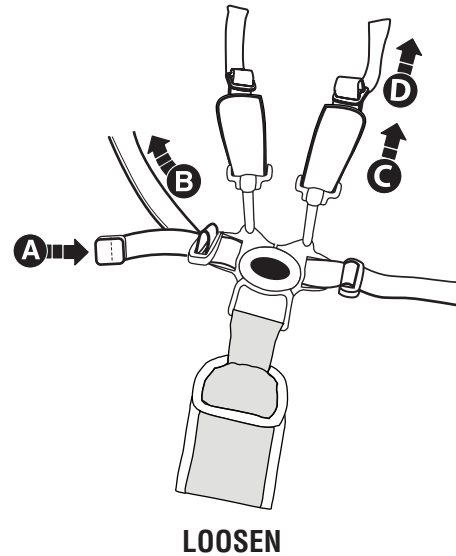
Always set both brake pedals when parking the stroller.



1

Securing Child

- Place your child in the stroller. Position the crotch belt between your child’s legs.
- Pull shoulder straps over child’s arm and shoulder and fasten **both** strap ends to the restraint system.
- Fasten **both** waist belts to the buckle on each side of the crotch belt. Make sure you hear a “click” on both sides.
- Check to be sure the restraint system is securely attached by pulling it away from your child. The restraint system should remain attached.



3



2

- Tighten each waist belt and shoulder strap so that the restraint system is snug against your child.

Please refer to the next section for instructions to tighten the waist belts.

To tighten the waist belts and shoulder straps:

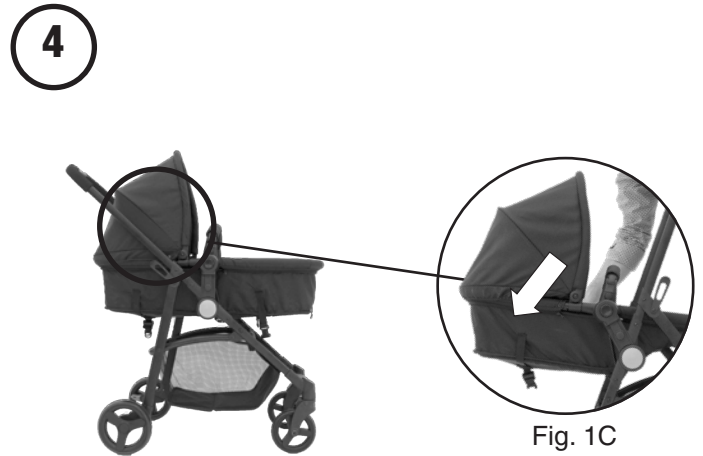
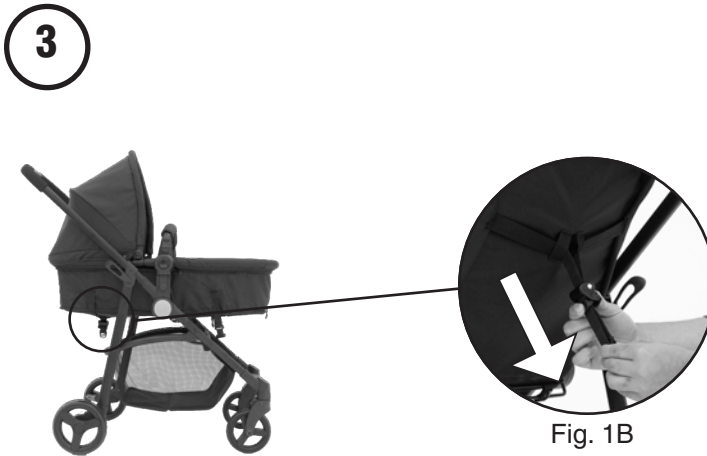
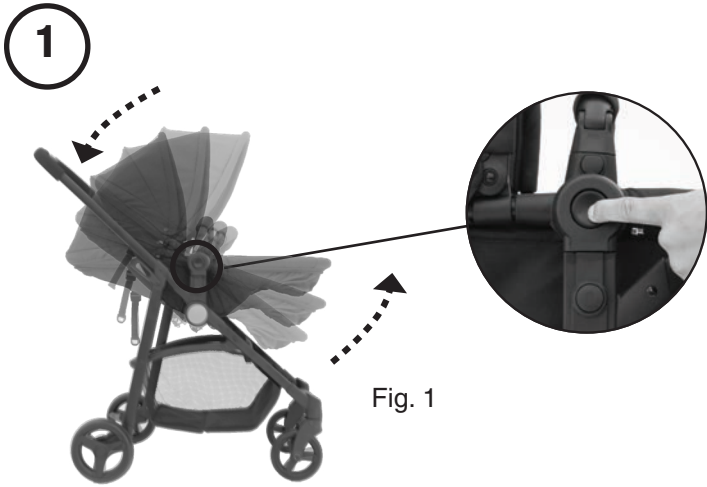
- Feed the anchored end of a waist belt up through the buckle to form a loop **A**. Pull the free end of the waist belt **B**.
- Repeat this procedure to tighten the other waist belt.
- Feed the top end of the shoulder strap through the plastic stay to form a loop **C**. Pull the bottom end down to tighten the strap **D**.
- Repeat this procedure to tighten the other shoulder strap.

To loosen the waist belts and shoulder straps:

- Feed the free end of the waist belt up through the buckle to form a loop **A**. Enlarge the loop by pulling on the end of the loop toward the buckle. Pull the anchored end of the waist belt to shorten the free end of the waist belt **B**.
- Repeat this procedure to loosen the other waist belt.
- Feed the bottom end of the shoulder strap through the plastic stay to form a loop **C**. Pull the top end up to loosen the strap **D**.
- Repeat this procedure to loosen the other shoulder strap.

Please note: After adjusting the restraint system to fit your child, make sure you pull on it to be sure it is securely fastened.

SETUP AND USE



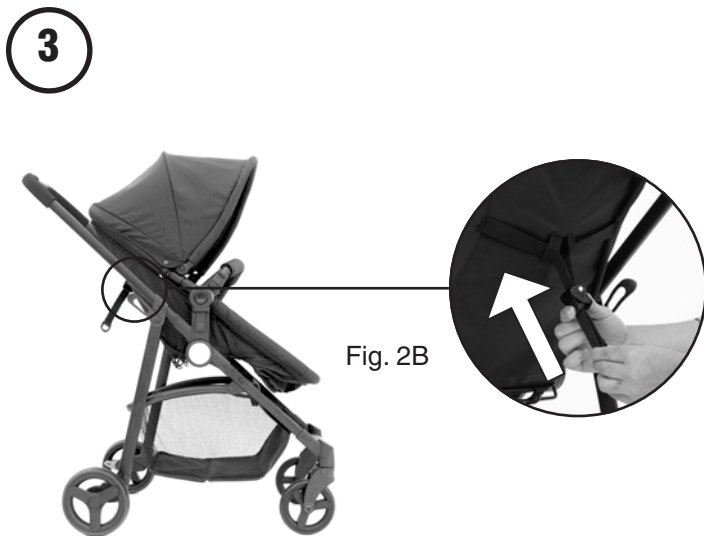
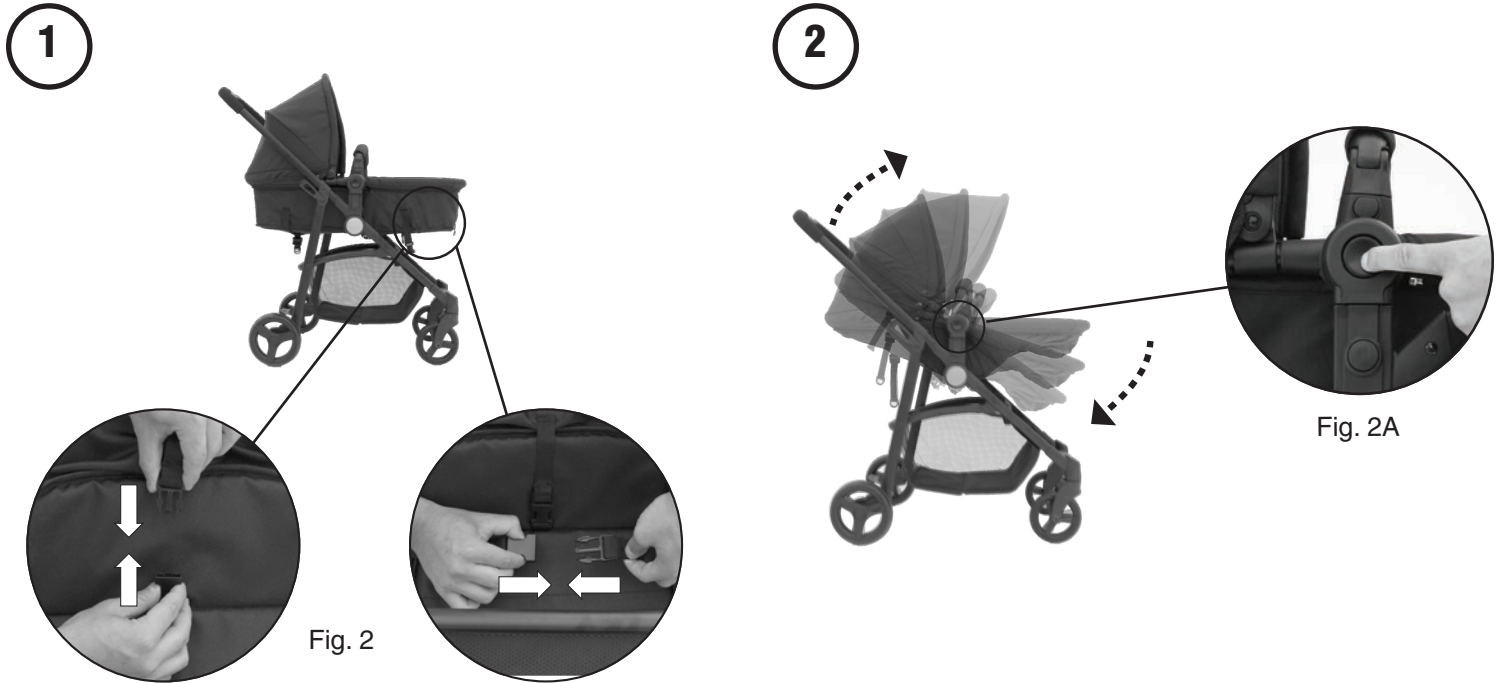
1

CONVERTING STROLLER TO CARRIAGE

To use the seat in carriage mode:

- Adjust seat angle by pressing safety release button and angling **flat**. Make sure safety release buttons are in raised position before continuing (Fig. 1).
- Unbuckle straps located at the bottom of the seat unit (Fig. 1A).
- Adjust seat recline to fully **reclined** position by squeezing clips and adjusting down (Fig. 1B).
- Push the fabric downwards from the inside to ensure carriage lies flat (Fig. 1C).

SETUP AND USE



CONVERTING CARRIAGE TO STROLLER

To use the seat in stroller mode:

- Re buckle straps located at the bottom of the seat unit (Fig. 2).
- Adjust seat angle by pressing safety release button and angling **full** or **half incline**. Make sure safety release buttons are in raised position before continuing (Fig. 2A).
- Adjust seat recline to **upright** position by squeezing clip and adjusting up (Fig. 2B).
- Ensure that all fabrics and buckles are secure before use.

SETUP AND USE



Fig. 3



Fig. 3A



3

USING THE REAR WHEEL BRAKES

- **To engage brakes**, apply a light downward pressure to the brake lever on both sides. Ensure that the brakes have been applied correctly and that the stroller will not move (Fig. 3).
- **To release brakes**, gently lift up the brake levers (Fig. 3A).



Fig. 5A



Fig. 5



RECLINE



UPRIGHT

5

USING THE SEAT INCLINE & RECLINE

- **To adjust seat incline & recline**: Locate and squeeze the clip located at the back of the seat unit (Fig. 5).
- While squeezing clip pull up or down to set desired seat incline or recline (Fig. 5A).
- **Please note** that the fully upright positions should only be used for a child over 6 months old.



Fig. 4



Fig. 4A

4

USING THE FRONT SWIVEL WHEEL LOCKS

- **To engage the lock**, pull the lever located at the rear of the front wheel inwards towards the frame (Fig. 4).
- **To release the lock**, pull the lever outwards. Note that each wheel will require the lever to be pulled in the opposite direction (Fig. 4A)

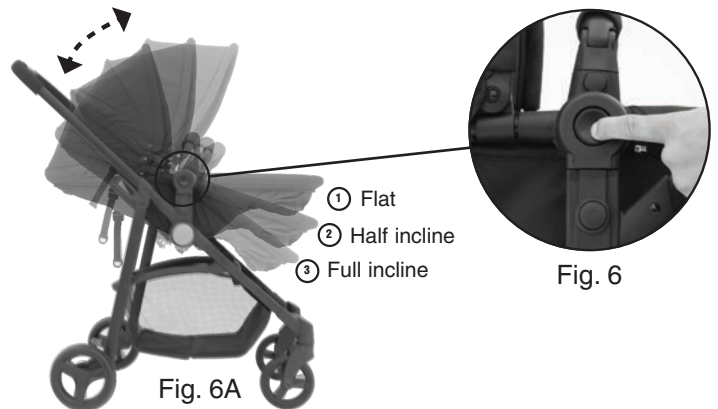


Fig. 6A

Fig. 6

6

ADJUSTING SEAT ANGLE

- **To adjust seat angle**: Press and hold safety release buttons located at the center of stroller frame (Fig. 6).
- While safety release buttons are held, adjust angle to one of 3 positions - flat, half incline, and full incline (Fig. 6A).
- Make sure safety buttons are in raised position before use.
- **Please note** that the fully upright positions should only be used for a child over 6 months old.

SETUP AND USE

7

** SKIP IF ALREADY IN STROLLER MODE

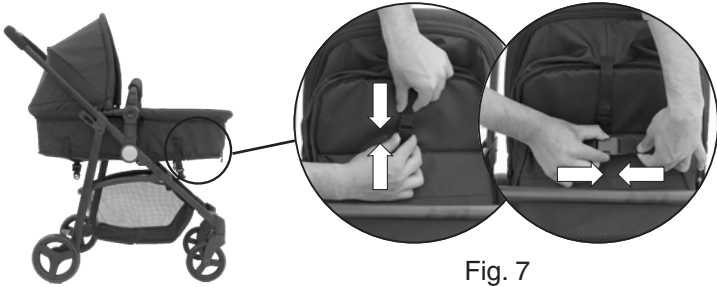


Fig. 7

7A

** SKIP IF ALREADY IN STROLLER MODE

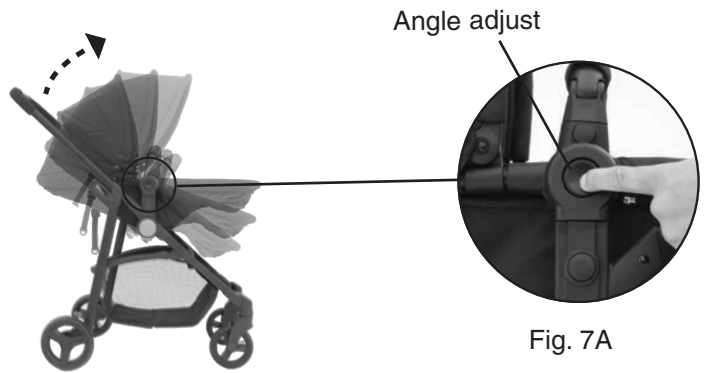


Fig. 7A

7B

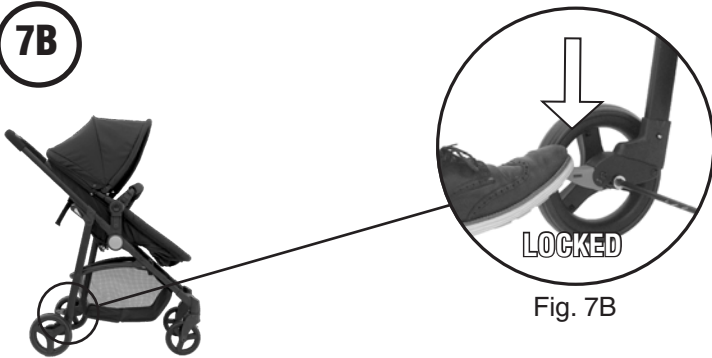


Fig. 7B

7C



Fig. 7C

7D

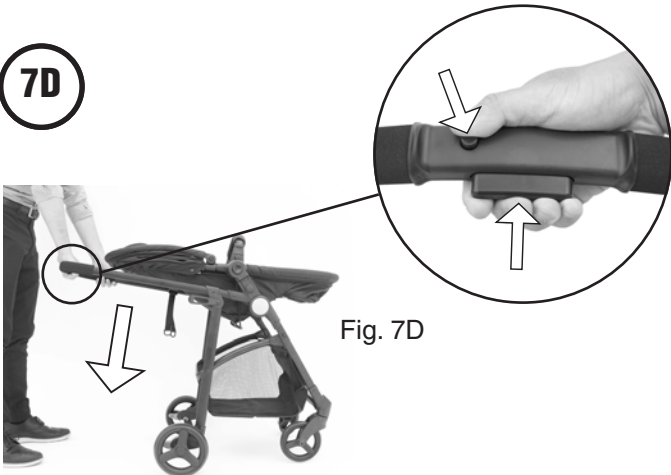


Fig. 7D



Fig. 7F

* Fully collapsed

7E

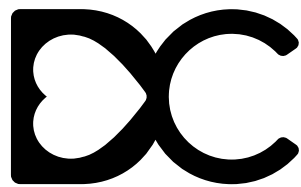


Fig. 7F

7

FOLDING STROLLER & CARRIAGE

- If in **carriage mode** make sure to unbuckle straps before continuing (Fig. 7).
- If in **carriage mode** make sure to set to full incline before continuing (Fig. 7A).
- Make sure both brake pedals are engaged before continuing (Fig. 7B).
- Make sure canopy is closed before continuing (Fig. 7C).
- **Begin fold** by pressing the folding lock located at the top of the handlebar with your thumb, while squeezing the folding button located at the bottom of the handlebar (Fig. 7D).
- Once the stroller begins to fold, release the folding button and allow to fully collapse (Fig. 7E).
- Secure the stroller in the folded position by ensuring the latch is fastened on the knob (Fig. 7F).



DELTACHILDREN

Delta Children's Products Corp.

114 West 26th Street
New York, NY 10001
www.DeltaChildren.com

follow us



@deltachildren