



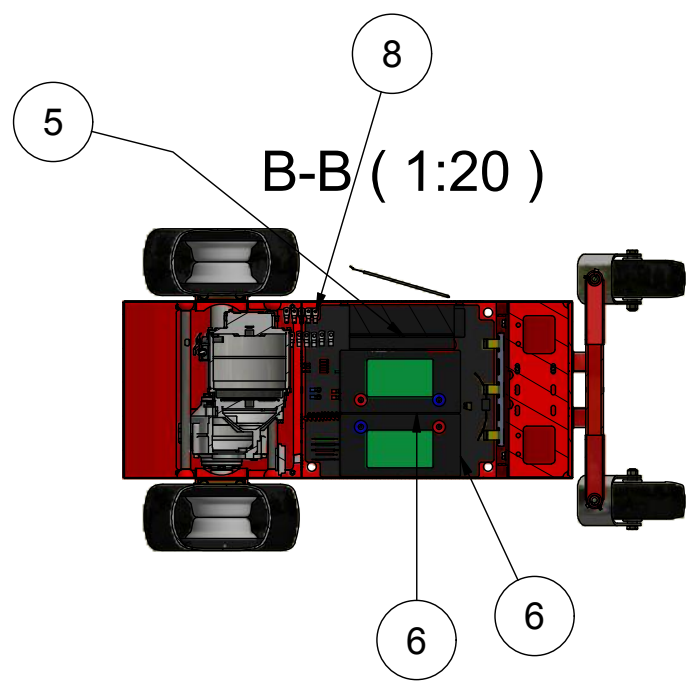
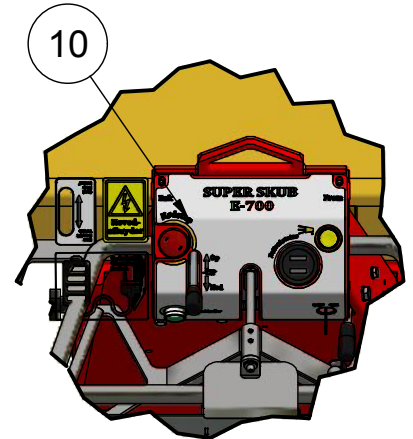
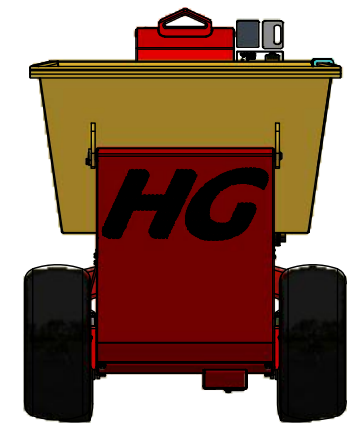
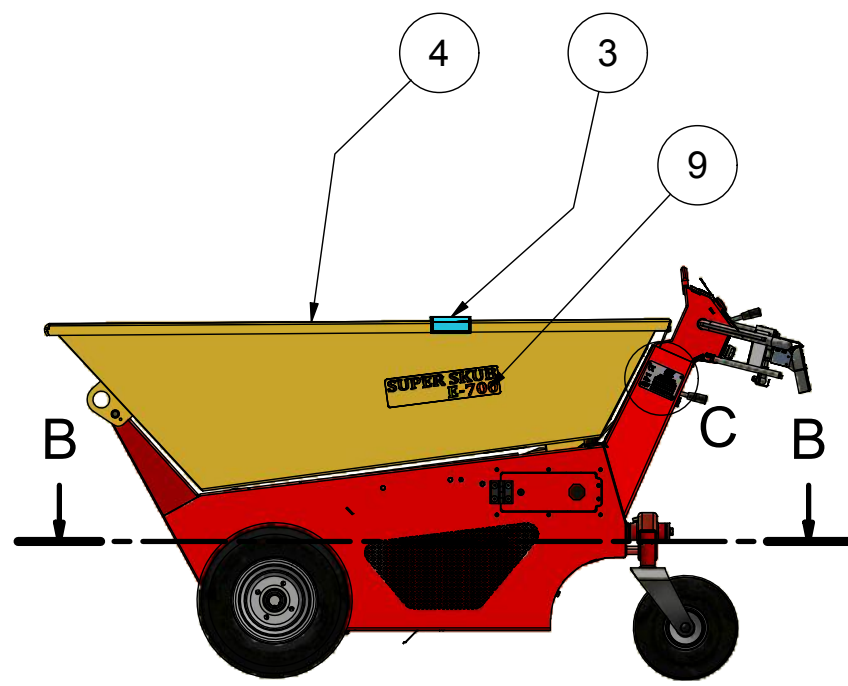
---

# SUPER SKUB E-700

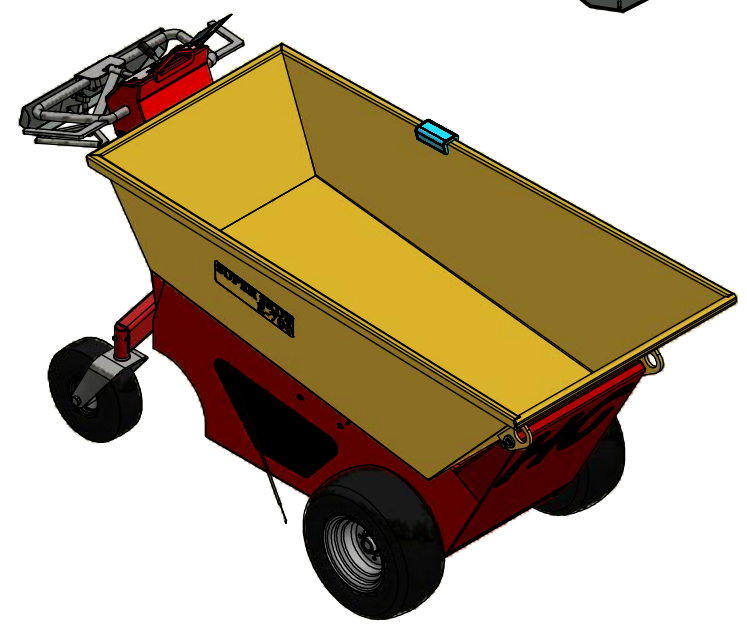
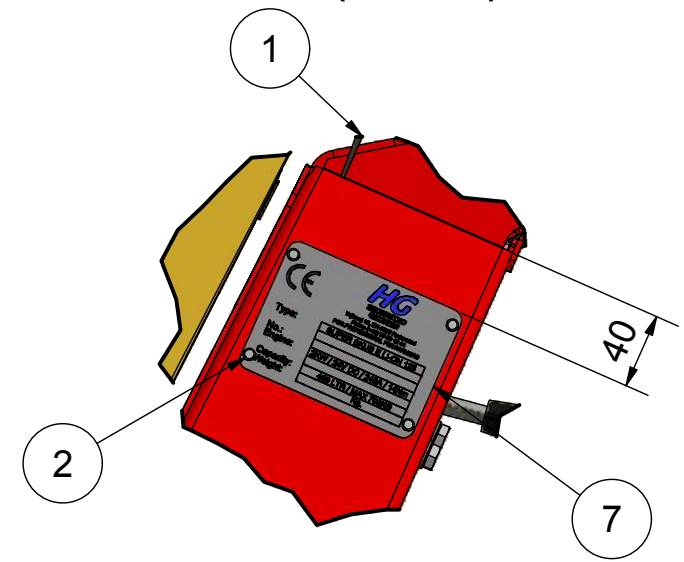


## SPARE PARTS LIST YEAR 2020-20xx

PARTS LIST			
ITEM	QTY	PART NUMBER	DESCRIPTION
1	0,3 m	423478	Edge profile w/Lip 54mm
2	4	7003208	Blind rivet Ø3.2x8 (4-5,5)
3	7,5 m	M103877	NomaPack U Tulip 35x41
4	1	M103963	HG Super Skub Electric 2019
5	1	M104443	Battery Charging unit
6	2	M104517	Topband 12V 125Ah Lithium
7	1	M104681	ID plate Super Skub E LI-ON 125
8	1	M105000	wiring SS Hydra Electric
9	2	M104741	Super Skub decal sticker E-700
10	1	M104727	Pictogram country package DK Super Skub E



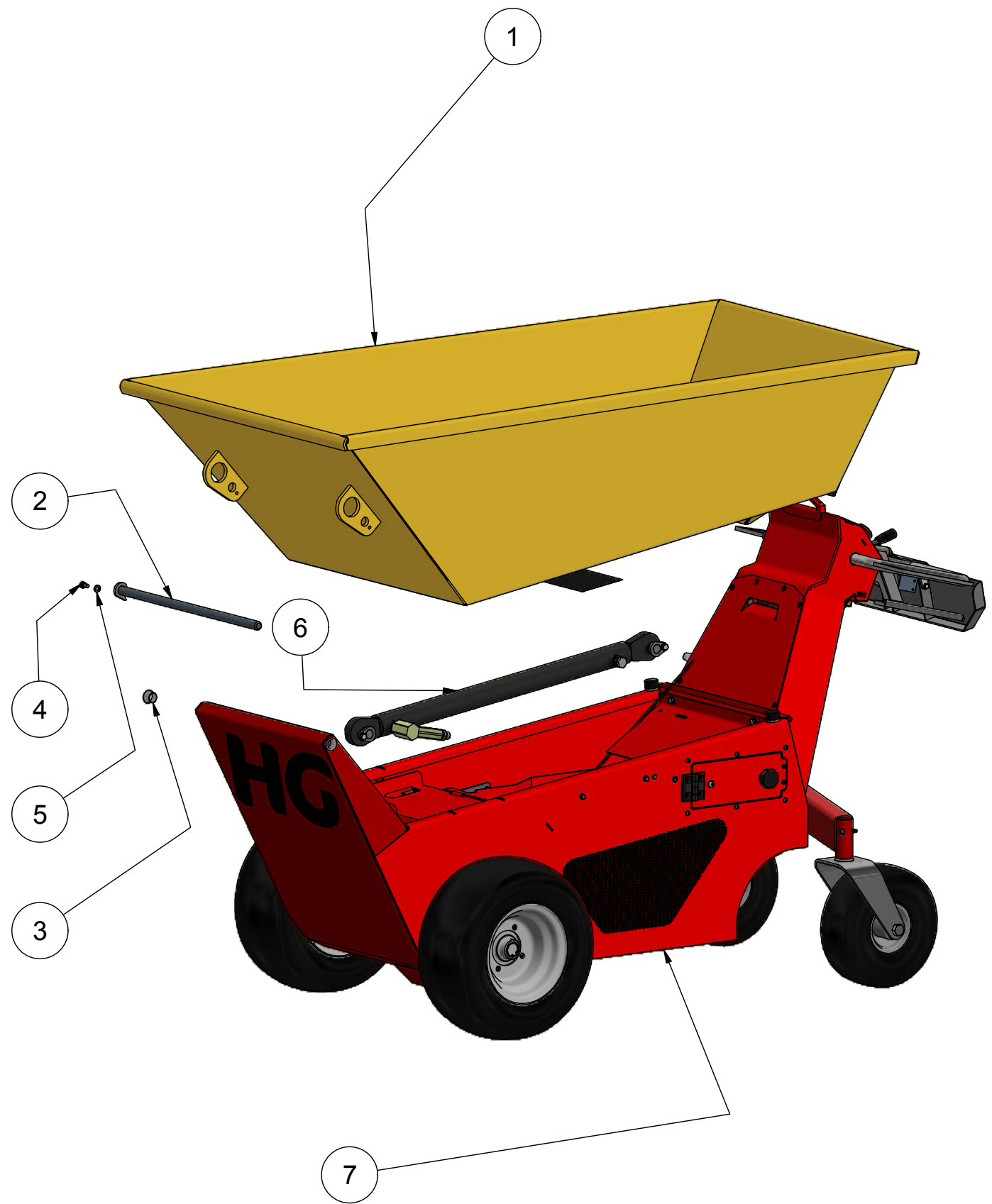
C (A1 : 14.5)



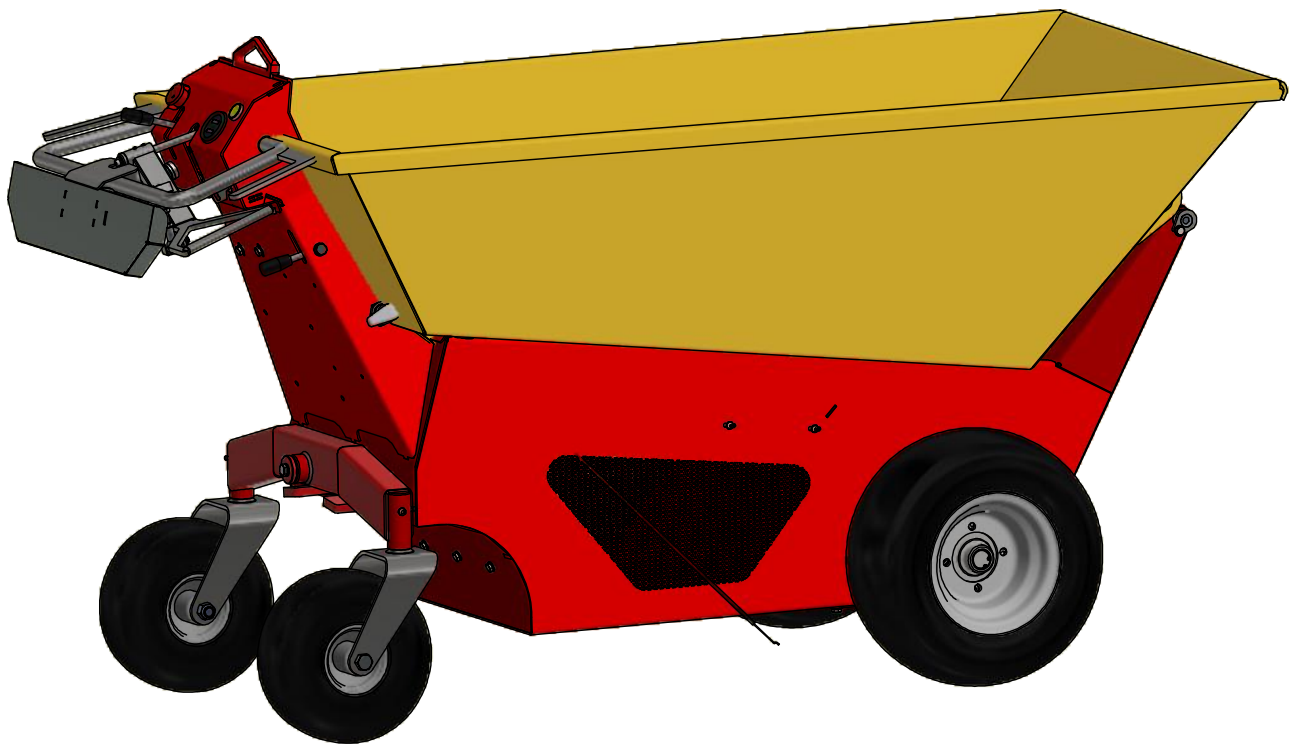
Break all edges

<small>This document is strictly confidential and must not be copied or disclosed to any third person. HEDENSTED GRUPPEN A/S</small>	<b>HG</b> HEDENSTED GRUPPEN	Scale: 1:20	Not specified tolerance according to: DS/ISO 2768-m	Sheet size: A3
	Part No.: 280205	Material:	Surface properties: No	Sheet: 1 / 1
	Description 1: HG Super Skub E LI-ION 125			
	Description 2:			

Revision:	Approved	Date:	Revision Description
3	SK	05-08-2020	Pictograms added




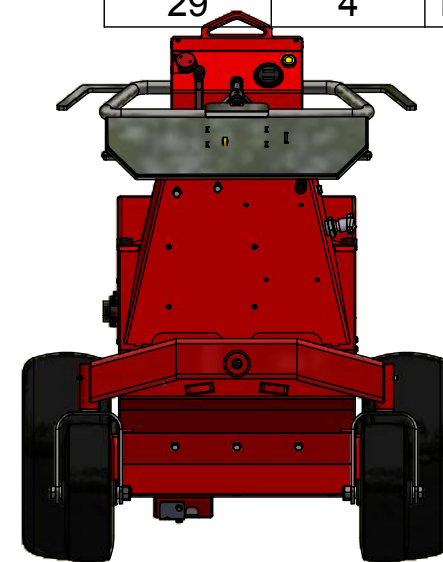
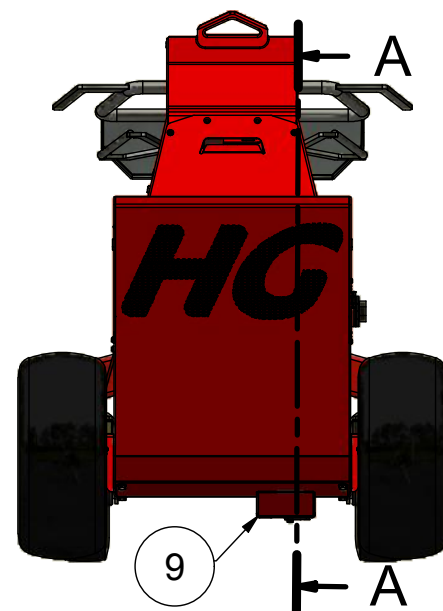
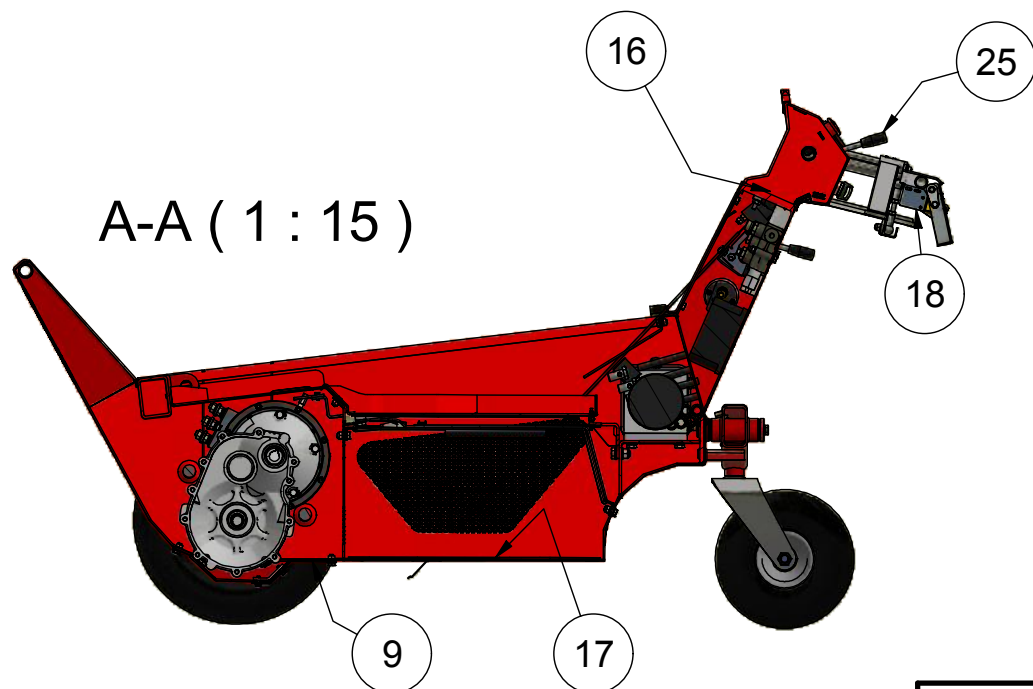
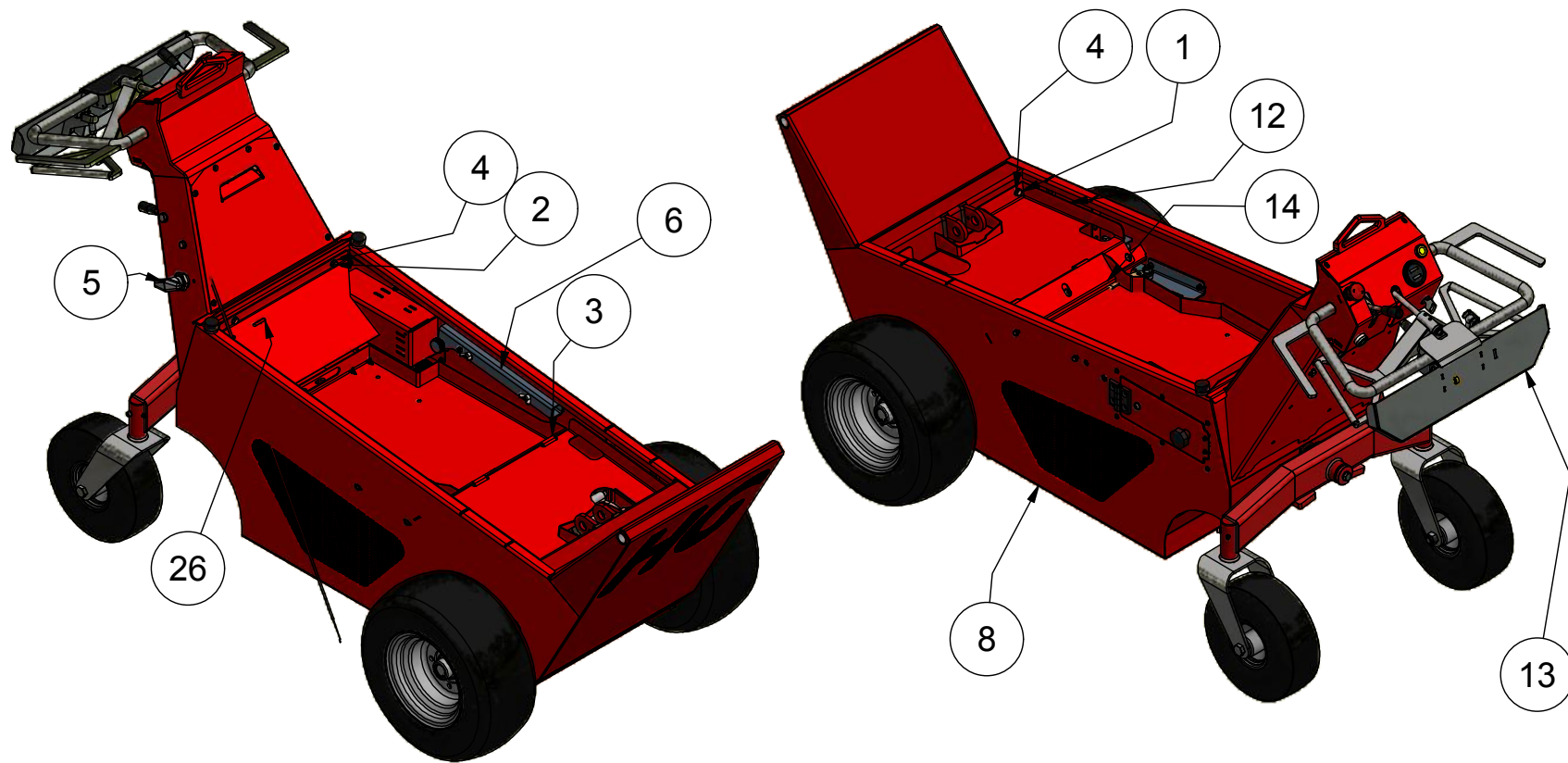
PARTS LIST			
ITEM	QTY	PART NUMBER	DESCRIPTION
1	1	423400	Container for SS hydra
2	1	423410	Tilting shaft for hydra
3	2	423428	Slide bushing Ø20xØ23x15
4	1	11408016	Hexagon bolt M8x16 FZB
5	1	82108000	Washer M8 FZB
6	1	M102406	Hydraulic cylinder assembly
7	1	M103966	Base assembly 2, S.S Electric 2019



Break all edges

Revision:	Approved	Date:	Revision Description
3	AB	25-03-2020	Many changes

The documents are strictly confidential and must not be accounted for copied or disclosed to any third person. <b>HEDENSTED GRUPPEN A/S</b>	 <b>HEDENSTED GRUPPEN</b>	Scale: <b>1 : 12</b>	Not specified tolerance according to: <b>DS/ISO 2768-m</b>	Sheet size: <b>A3</b>
	Part No.: <b>M103963</b>	Material:	Surface properties: <b>No</b>	Sheet: <b>1 / 1</b>
	Description 1: <b>HG Super Skub Electric 2019</b>			



PARTS LIST

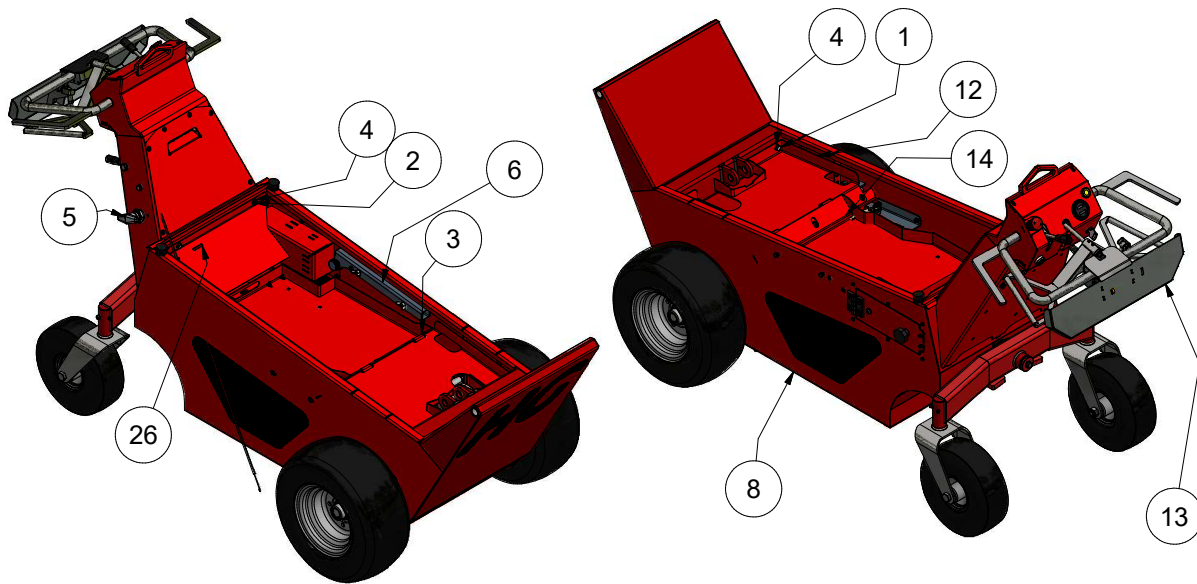
ITEM	QTY	PART NUMBER	DESCRIPTION
1	2	11408012	Hexagon bolt M8x12 FZB
2	2	11408016	Hexagon bolt M8x16 FZB
3	3	76008016	Buttonhead bolt M8x16 FZB
4	12	82108000	Washer M8 FZB
5	1	M100126	Main switch 250A 12v DC
6	1	M102405	Safety Clamp
7	2	M102532	Bolt down fuse block
8	1	M103968	Grip/valves assembly S.S Electric 2019
9	1	M104449	Bottom Cover assembly
10	1	M104540	Riser cover
11	1	M104541	Control panel assembly
12	1	M104546	Motor cover
13	1	M104552	Drive control assembly
14	1	M104575	Charger Carrier assembly
15	1	M104576	AC Induction Motor Controller
16	1	M104609	Main contactor 24 V 250A
17	1	M104802	Rubber sheet for batteri
18	1	M104806	Plate for switch SSE
19	1	M104892	Mega fuse 225A
20	1	M104893	Mega fuse 175A
21	1	M104895	Mega fuse 125A
22	1	M104897	Main bracket
23	1	M104899	MTA 0301509
24	1	M104901	Shrink tube PHI 19,1 0,2M
25	1	M15513	Tilt valve assamby 2019
26	1	M15753	HPU Cover
27	1	M15873	Safetyswitch
28	4	87508000	Spring Washer M8 FZB
29	4	1508000	Nut M8 FZB

A-A ( 1 : 15 )

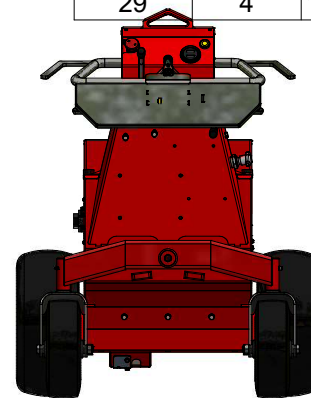
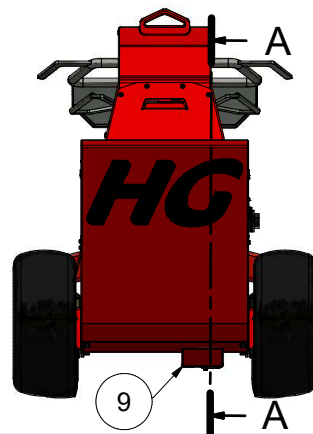
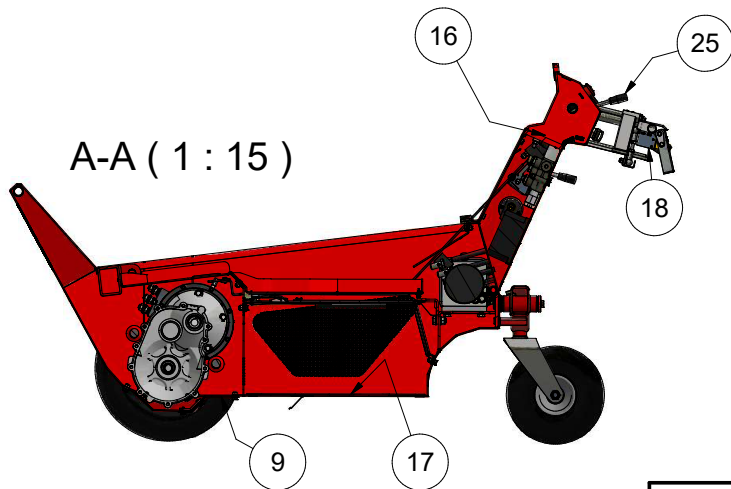
Break all edges

	Scale:	Not specified tolerance according to:	Sheet size:
	1 : 15	DS/ISO 2768-m	A3
	Surface properties:	No	Sheet:
			1 / 1
Part No.:		Material:	
M103966			
Description 1:			
Base assembly 2, S.S Electric 2019			
Description 2:			

Revision:	Approved	Date:	Revision Description
6	Ab	14-04-2020	Multiple updates



PARTS LIST			
ITEM	QTY	PART NUMBER	DESCRIPTION
1	2	11408012	Hexagon bolt M8x12 FZB
2	2	11408016	Hexagon bolt M8x16 FZB
3	3	76008016	Buttonhead bolt M8x16 FZB
4	12	82108000	Washer M8 FZB
5	1	M100126	Main switch 250A 12v DC
6	1	M102405	Safety Clamp
7	2	M102532	Bolt down fuse block
8	1	M103968	Grip/valves assembly S.S Electric 2019
9	1	M104449	Bottom Cover assembly
10	1	M104540	Riser cover
11	1	M104541	Control panel assembly
12	1	M104546	Motor cover
13	1	M104552	Drive control assembly
14	1	M104575	Charger Carrier assembly
15	1	M104576	AC Induction Motor Controller
16	1	M104609	Main contactor 24 V 250A
17	1	M104802	Rubber sheet for batteri
18	1	M104806	Plate for switch SSE
19	1	M104892	Mega fuse 225A
20	1	M104893	Mega fuse 175A
21	1	M104895	Mega fuse 125A
22	1	M104897	Main bracket
23	1	M104899	MTA 0301511
24	1	M104901	Shrink tube PHI 19,1 0,2M
25	1	M15513	Tilt valve assamby 2019
26	1	M15753	HPU Cover
27	1	M15873	Safetyswitch
28	4	87508000	Spring Washer M8 FZB
29	4	1508000	Nut M8 FZB

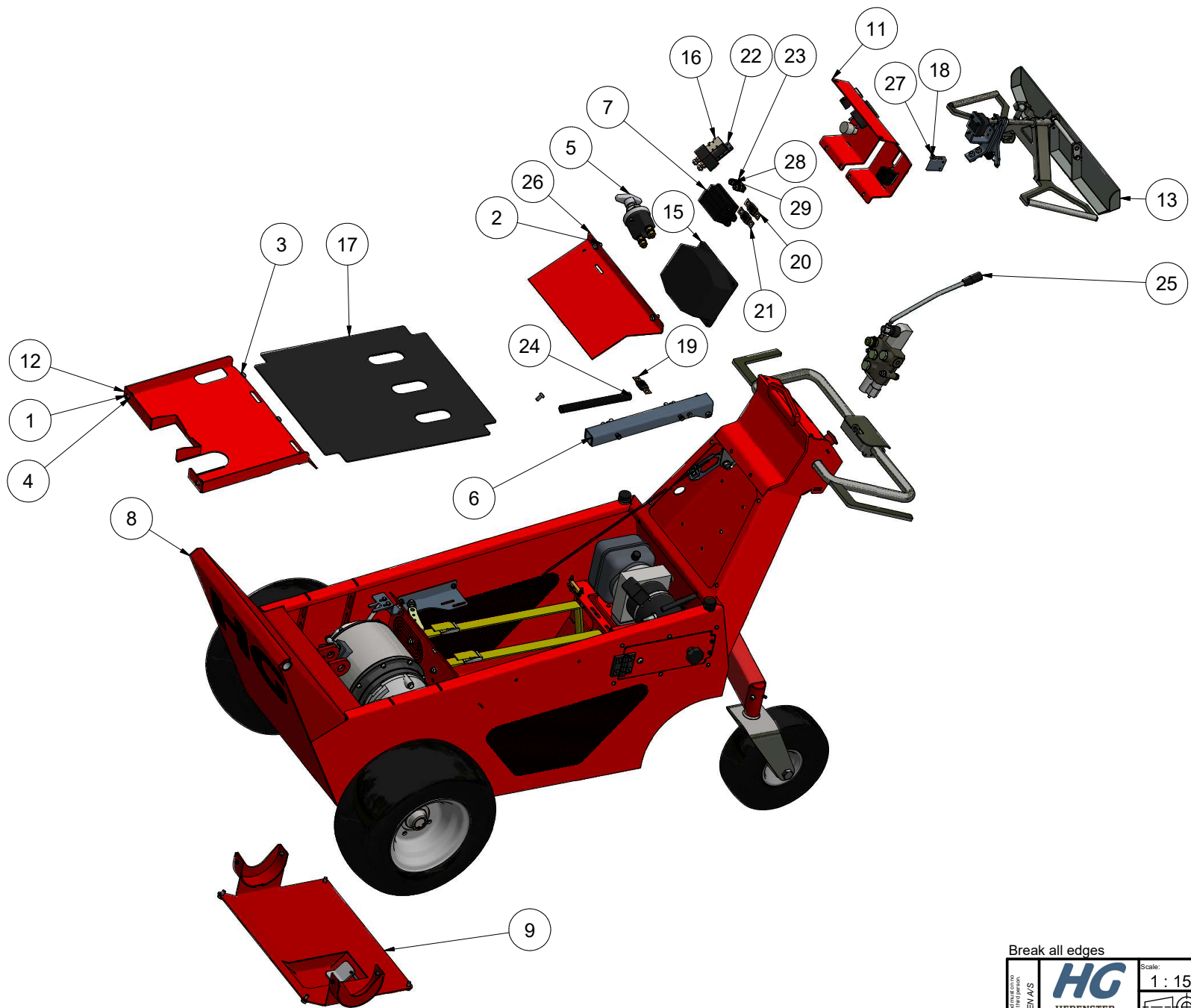


Revision:	Approved	Date:	Revision Description
6	Ab	14-04-2020	Multiple updates

Break all edges

 <b>HG</b> HEDENSTED GRUPPEN A/S	Scale:	Not specified tolerance according to:	Sheet size:
	1 : 15	DS/ISO 2768-m	A3
Part No:	Surface properties:		Sheet:
M103966	No		1 / 2
Description 1: Base assembly 2, S.S Electric 2019			
Description 2:			

This drawing is the property of HEDENSTED GRUPPEN A/S. It is not to be copied, reproduced, or disseminated in any form or by any means without the prior written permission of HEDENSTED GRUPPEN A/S.



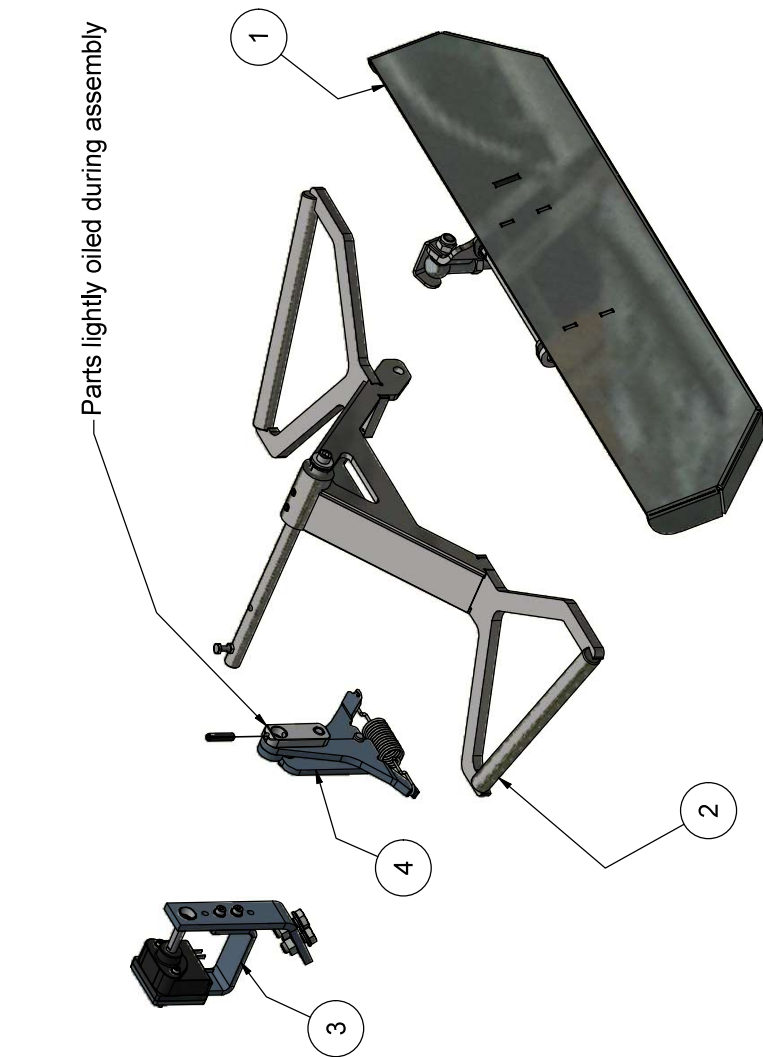
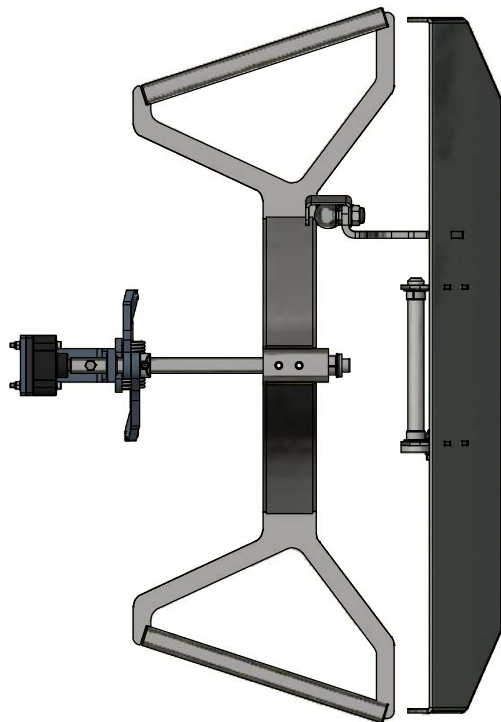
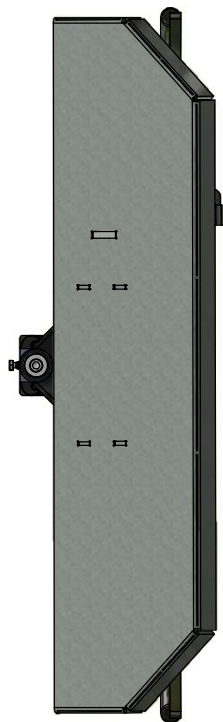
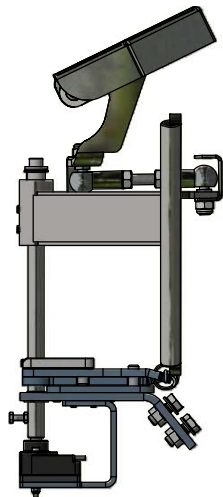
Break all edges

HG HE DENSTED GRUPPEN A/S	Scale: <b>1 : 15</b>	Not specified tolerance according to: <b>DS/ISO 2768-m</b>	Sheet size: <b>A3</b>	
		Surface properties: <b>No</b>	Sheet: <b>2 / 2</b>	
	Part No.: <b>M103966</b>		Material:	
	Description 1: <b>Base assembly 2, S.S Electric 2019</b>			
Description 2:				

Revision:	Approved	Date:	Revision Description
6	Ab	14-04-2020	Multiple updates


PARTS LIST

ITEM	QTY	PART NUMBER	DESCRIPTION
1	1	M102403	Bumper assembly
2	1	M103969	Trottel grip assembly
3	1	M103972	Assembly pot meter/bearing for handle
4	1	M104560	Centering Parts



Parts lightly oiled during assembly

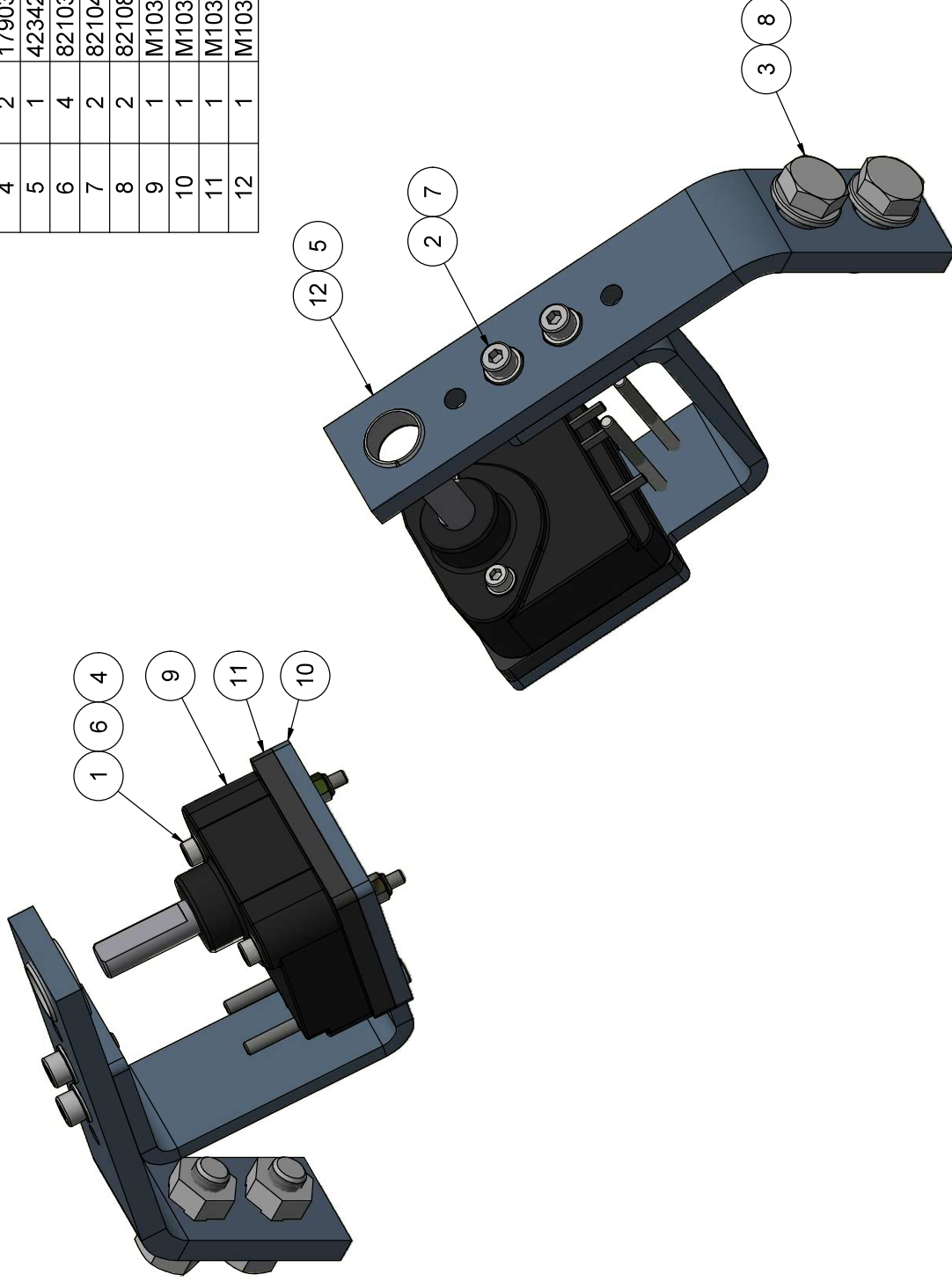
Break all edges

 HEDENSTED GRUPPEN	Scale:	1 : 4	Not specified tolerance according to:	DS/ISO 2768-m	Sheet size:	A3
					Surface properties:	No
	Part No.:	M104552	Material:			
Description 1:			Drive control assembly			
Description 2:						



Revision:	Approved	Date:	23-03-2020	Revision Description	Drawing update
4	AB				

PARTS LIST

ITEM	QTY	PART NUMBER	DESCRIPTION
1	4	10203040	Hexagon cylinder head M3x40 FZB
2	2	10204012	Hexagon cylinder head M4x12 FZB
3	2	11408020	Hexagon bolt M8x20 FZB
4	2	17903000	Self-locking nut M3 FZB
5	1	423423	Slide bushing Ø12xØ14x7
6	4	82103000	Washer M3 FZB
7	2	82104000	Washer M4 FZB
8	2	82108000	Washer M8 FZB
9	1	M103888	Throttle WV-1
10	1	M103898	Pot meter bracket
11	1	M103899	Flex rubber
12	1	M103974	Bracket for butterfly handle



Break all edges

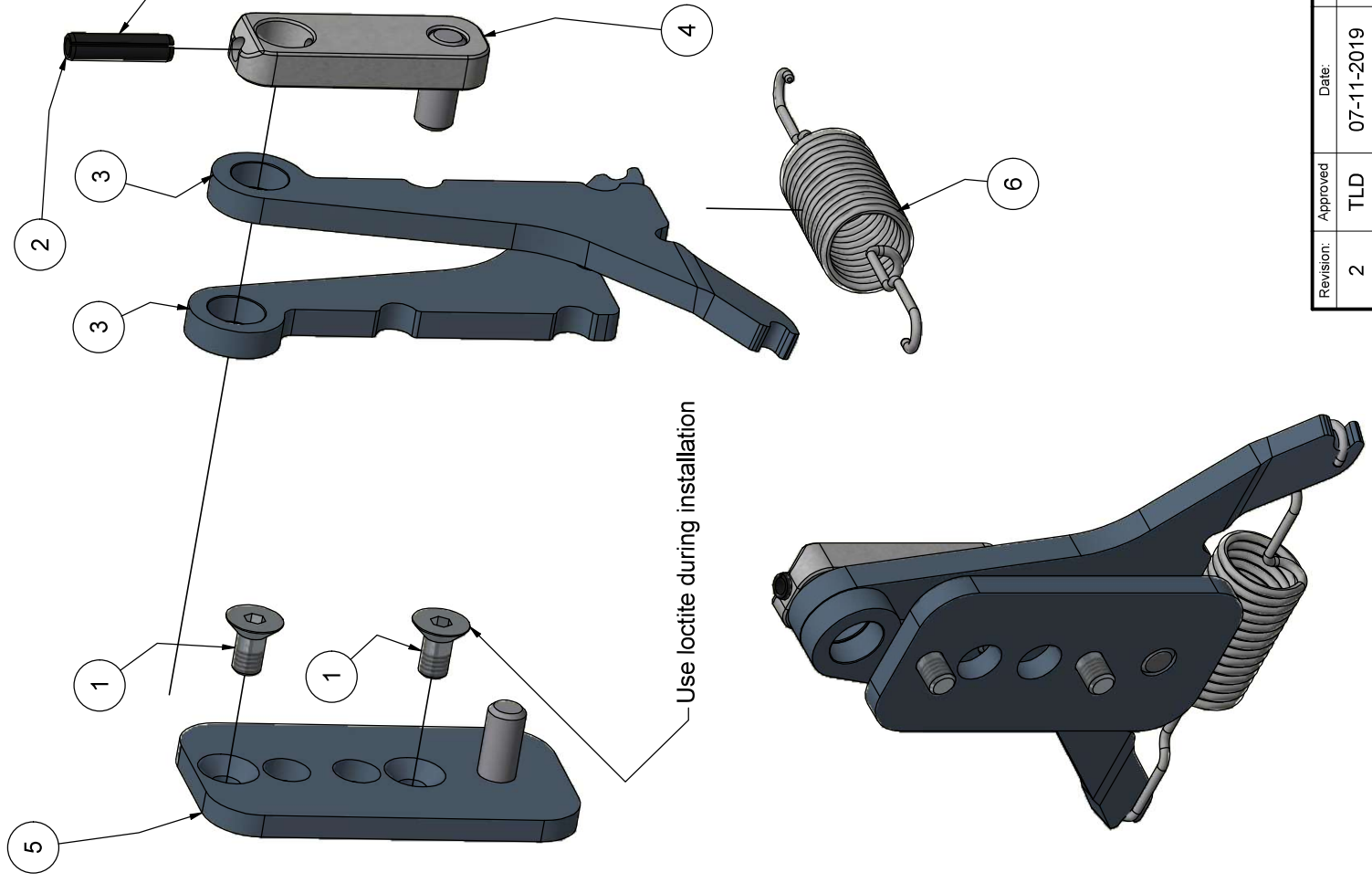
 HEDENSTED GRUPPEN	Scale: 1:1	Not specified tolerance according to: DS/ISO 2768-m	Sheet size: A3
		Surface properties: No	Sheet: 1/1
Part No.: M103972		Material:	
Description 1: Assembly pot meter/bearing for handle		Description 2:	

Revision: 4	Approved: AB	Date: 25-03-2020	Revision Description: Drawing updated
-------------	--------------	------------------	---------------------------------------



PARTS LIST

ITEM	QTY	PART NUMBER	DESCRIPTION
1	2	20406012	Hexagon countersunk head M6x12 FZB
2	1	89505022	Pin slotted Ø5x22
3	2	M104555	Inner stop
4	1	M104557	Center bracket assembly
5	1	M104559	Offset stop
6	1	M104663	Return Spring for handle



Pin NOT to be installed in this step

Use loctite during installation

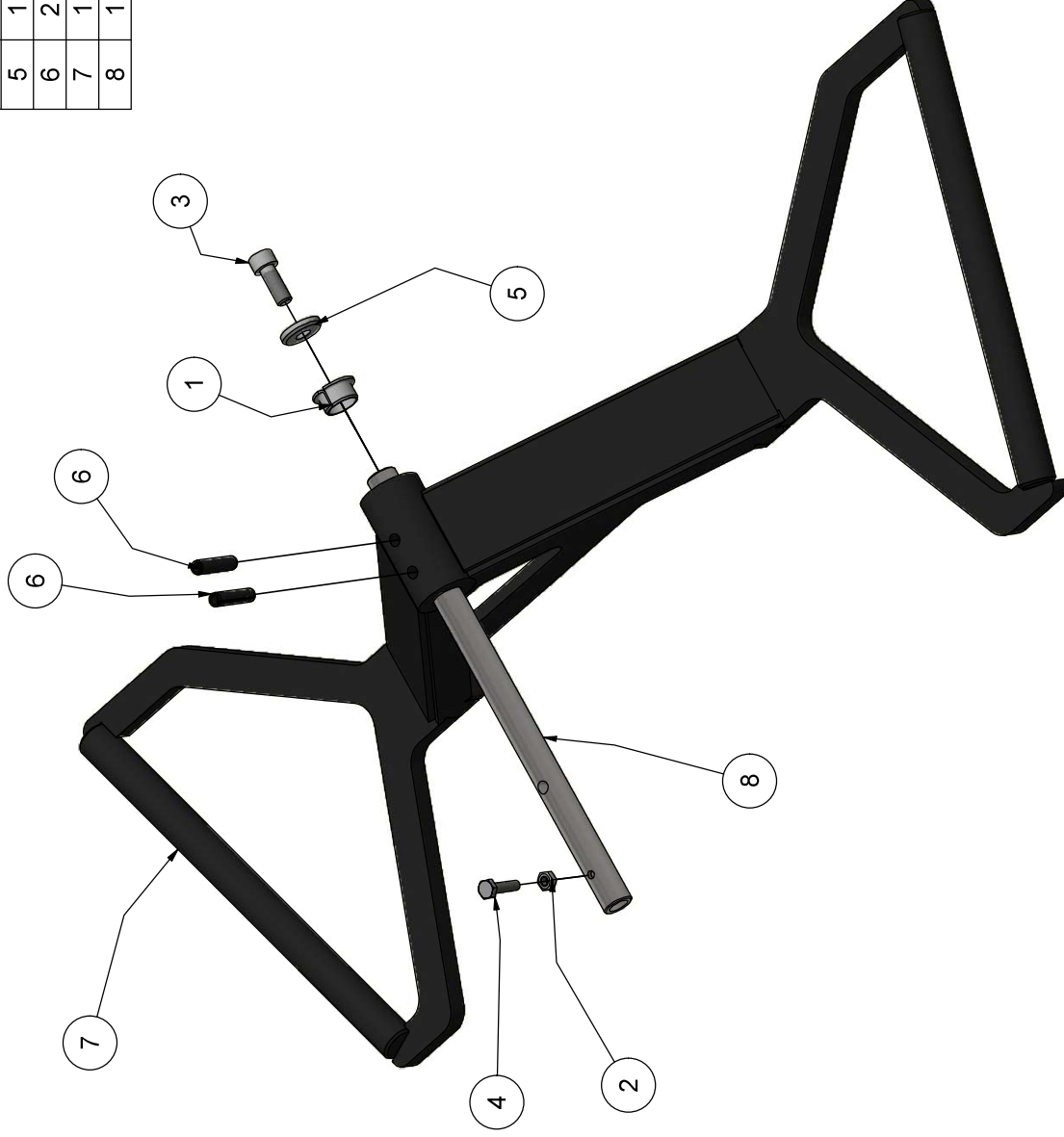
Break all edges

 HEDENSTED GRUPPEN	Scale:	1:1	Not specified tolerance according to:	DS/ISO 2768-m	Sheet size:	A3
	Part No.:	M104560	Surface properties:	No	Sheet:	1/1
Description 1:		Centering Parts				
Description 2:						



Revision:	Approved	Date:	07-11-2019	Revision Description	M104556 Removed. M104555 Updated, M104663 Added
2	TLD				

PARTS LIST

ITEM	QTY	PART NUMBER	DESCRIPTION
1	1	423423	Slide bushing Ø12xØ14x7
2	1	1504000	Nut M4 FZB
3	1	10206016	Hexagon cylinder head M6x16 FZB
4	1	11104016	Hexagon bolt M4x16 FZB
5	1	87606000	Washer Ø6,4x17x3 FZB
6	2	89505022	Pin slotted Ø5x22
7	1	M100499	Trottel grip
8	1	M103973	Shaft for handle



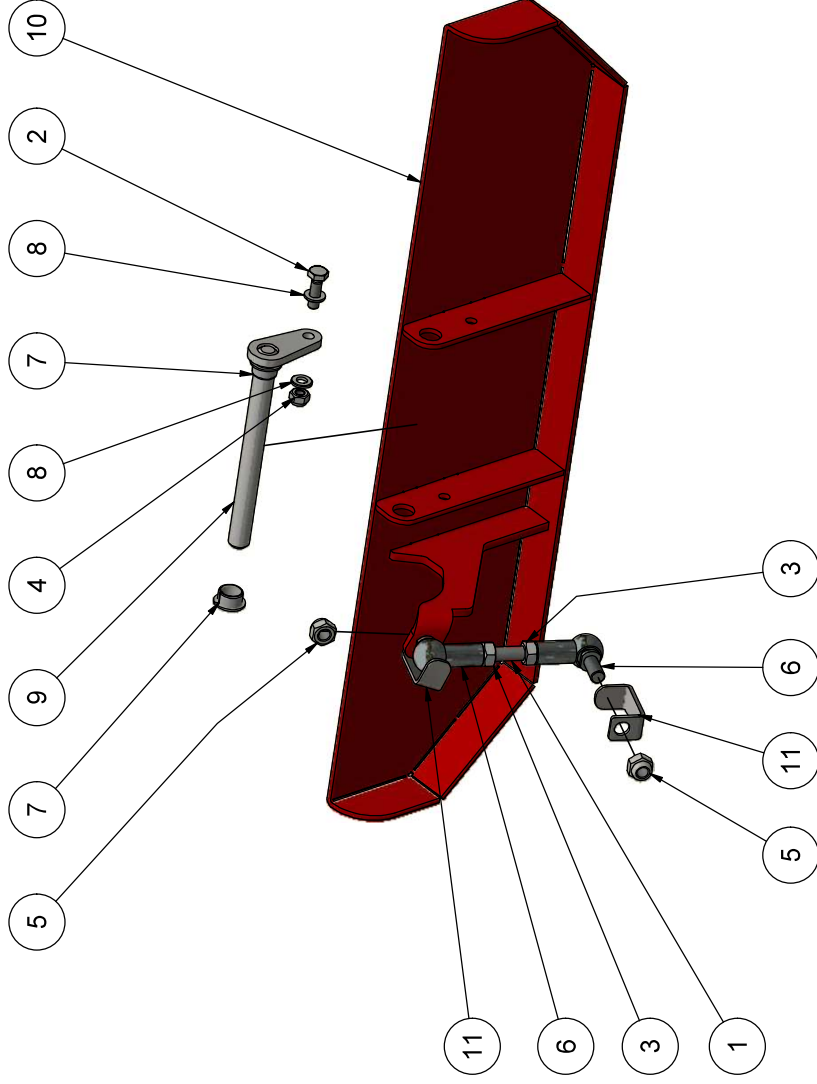
Break all edges

 HEDESTED GRUPPEN Part No.: M103969	Scale: 1:2	Not specified tolerance according to: DS/ISO 2768-m	Sheet size: A3
		Surface properties: No	Sheet: 1/1
Material:		Description 1: Trottel grip assembly	
Description 2:			

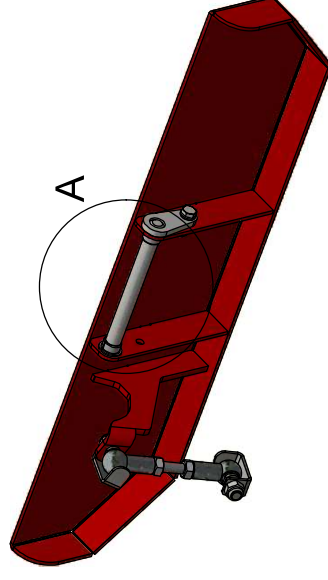
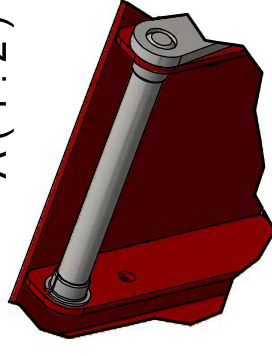
Revision:	Approved	Date:	Revision Description
2	SK	09-11-2016	M103973 updated and orientation flipped 180 deg

PARTS LIST

ITEM	QTY	PART NUMBER	DESCRIPTION
1	1	10508050	Stop screw M8x50-B
2	1	11406020	Hexagon bolt M6x20 FZB
3	2	1508000	Nut M8 FZB
4	1	17906000	Self-locking nut M6 FZB
5	2	17908000	Self-locking nut M8 FZB
6	2	415042	Ball angle joint AS13 M8
7	2	423423	Slide bushing Ø12xØ14x7
8	2	82106000	Washer M6 FZB
9	1	M100501	Lock rod assembly
10	1	M100503	Bumper assembly
11	2	M100507	Ball lock



A (1:2)



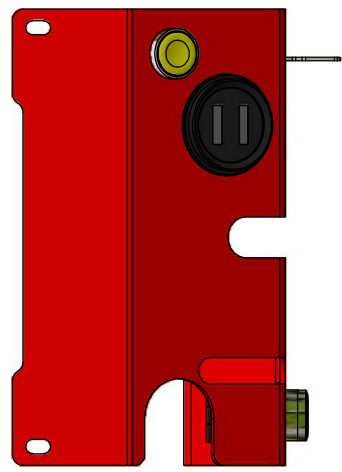
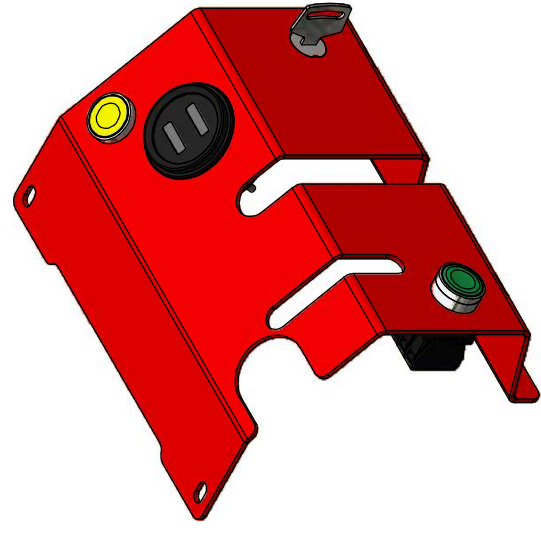
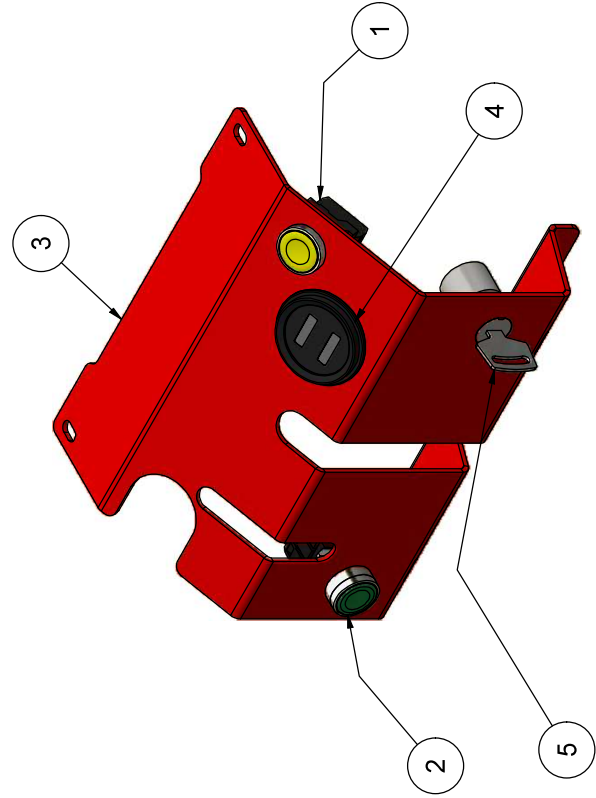
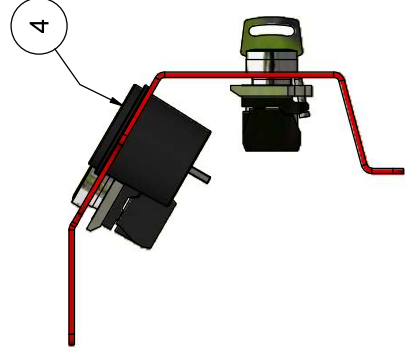
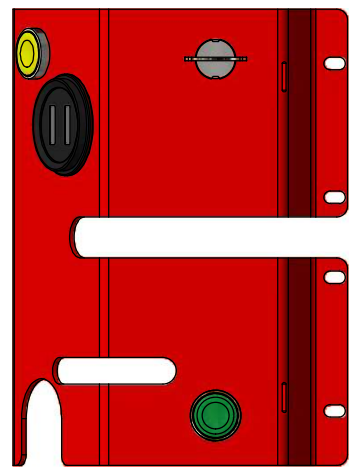
Break all edges

 HEDENSTED GRUPPEN	Scale:	1:4	Not specified tolerance according to:	DS/ISO 2768-m	Sheet size:	A3
	Part No.:	M102403	Surface properties:	No	Sheet:	1/1
Description 1:		Bumper assembly				
Description 2:		Super skub Hydra				

Revision:	Approved	Date:	23-03-2020	Revision Description	Drawing update
3	AB				

PARTS LIST

ITEM	QTY	PART NUMBER	DESCRIPTION
1	1	600335	Push button yellow 1NO XB4BA51
2	1	600350	Push button green/light 1NO+1NC XB4BW33B5
3	1	M15710	Control panel Flange
4	1	M103956	Hour meter
5	1	M104617	Ignition switch Superskub Electric



Break all edges

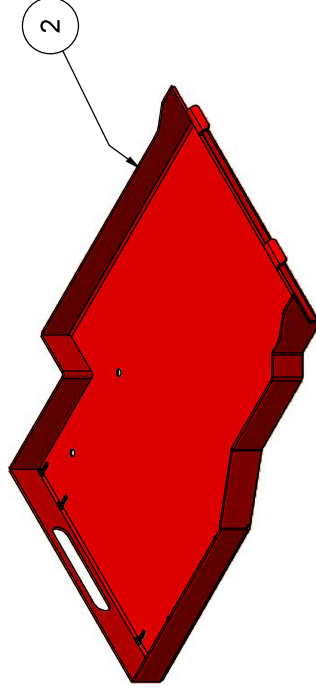
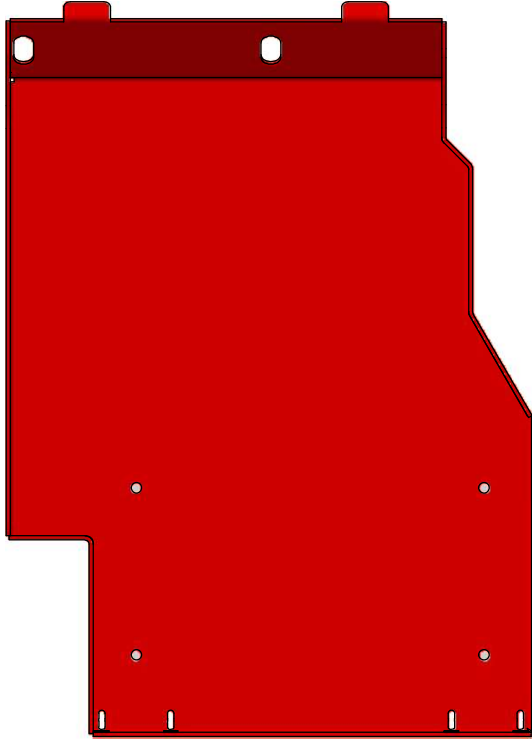
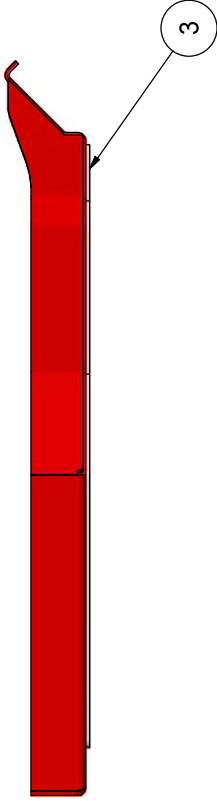
 HEDENSTED GRUPPEN	Scale:	1 : 3	Not specified tolerance according to:	DS/ISO 2768-m	Sheet size:	A3
				Surface properties:	No	Sheet:
	Part No.:	M104541	Material:			
	Description 1:	Control panel assembly				
	Description 2:					

Revision:	Approved	Date:	Revision Description
4	AB	04-11-2019	M104528 deleted part M15710 added

PARTS LIST

ITEM QTY	PART NUMBER	DESCRIPTION
2	M104571	Carrier for Charger
3	M104486	Battery Insulation (PEHD)

M104486 to be cut according to battery type



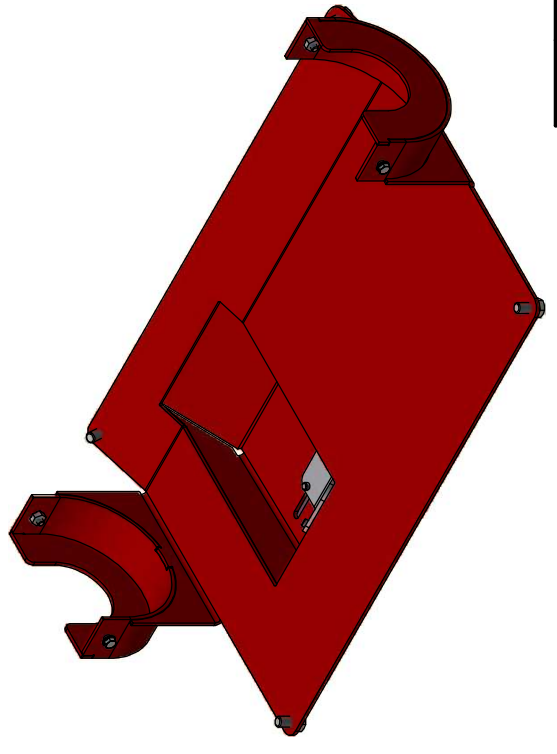
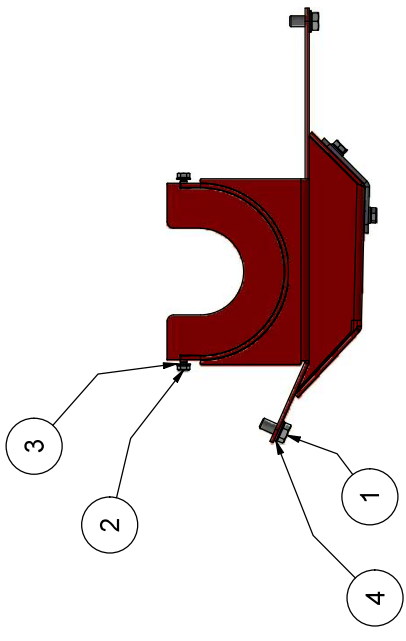
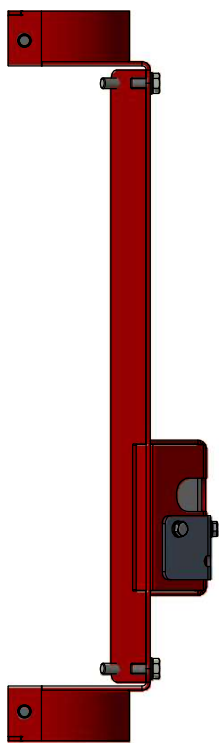
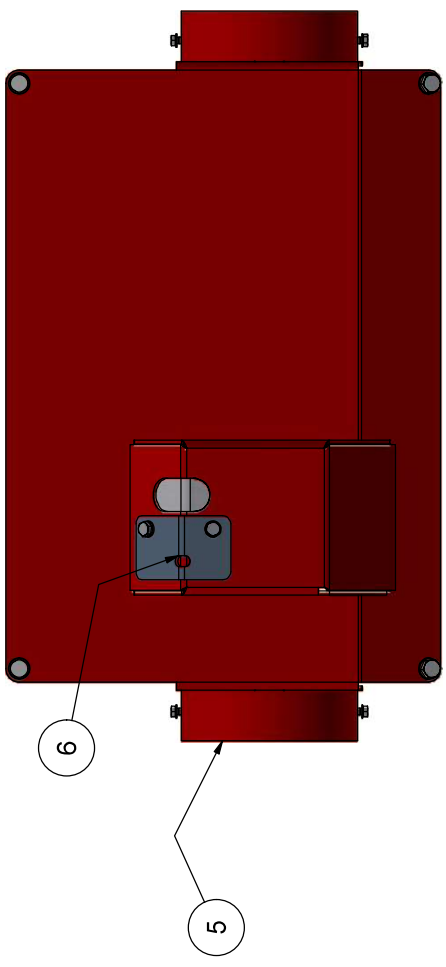
Break all edges

 HEEDENSTED GRUPPEN	Scale:	1 : 4	Not specified tolerance according to:	DS/ISO 2768-m	Sheet size:	A3
	Part No.:	M104575	Surface properties:	No	Sheet:	1 / 1
Description 1:		Charger Carrier assembly				
Description 2:						

Revision:	Approved	Date:	Revision Description
4	AB	11-11-2019	Parts deleted part M104486 changed

PARTS LIST

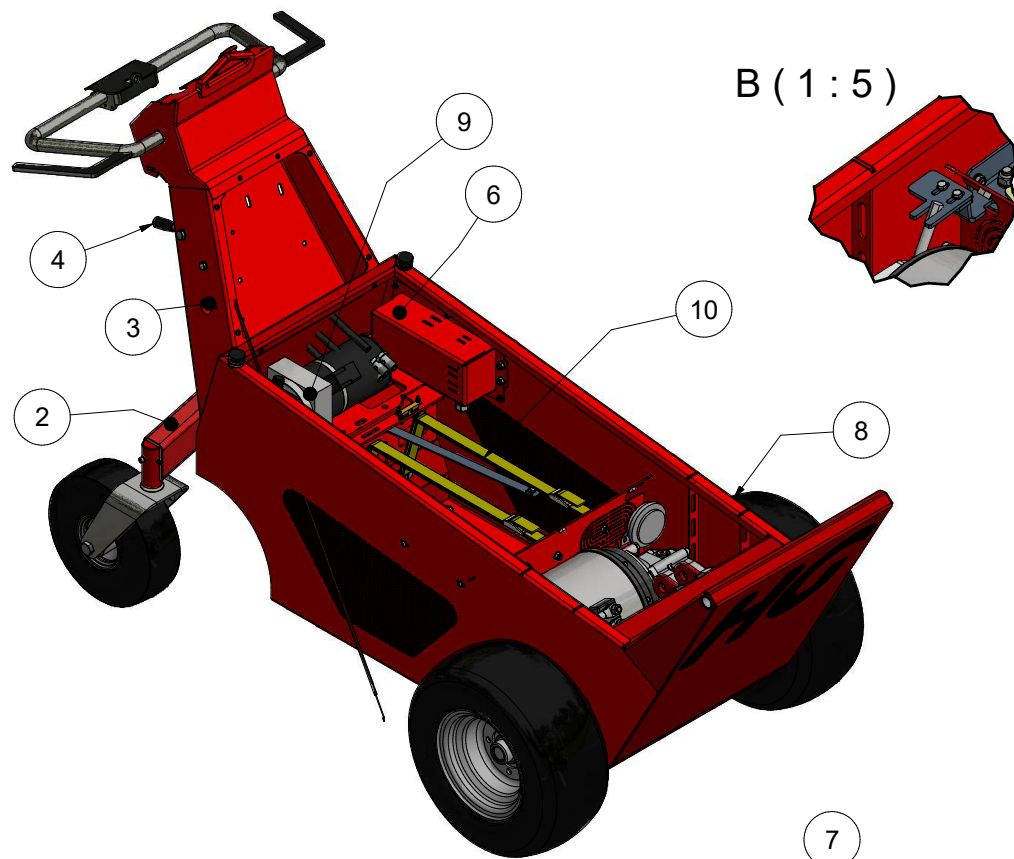
ITEM	QTY	PART NUMBER	DESCRIPTION
1	4	11408016	Hexagon bolt M8x16 FZB
2	4	12905016	Hexagon bolt M5x16 A2
3	4	81805000	Washer M5 A2
4	4	81808000	Washer M8 A2
5	1	M103957	Motor bottom cover
6	1	M104448	Slide cover assembly



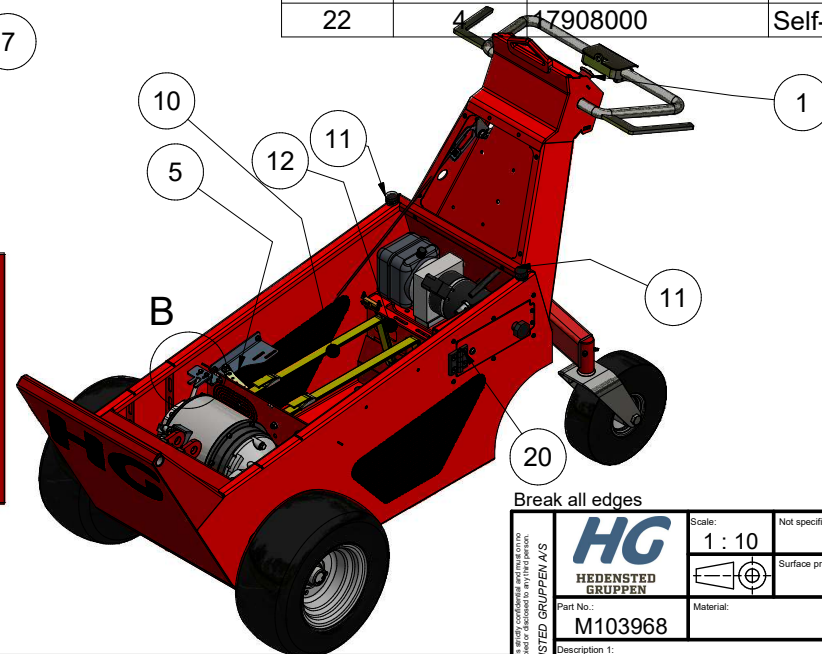
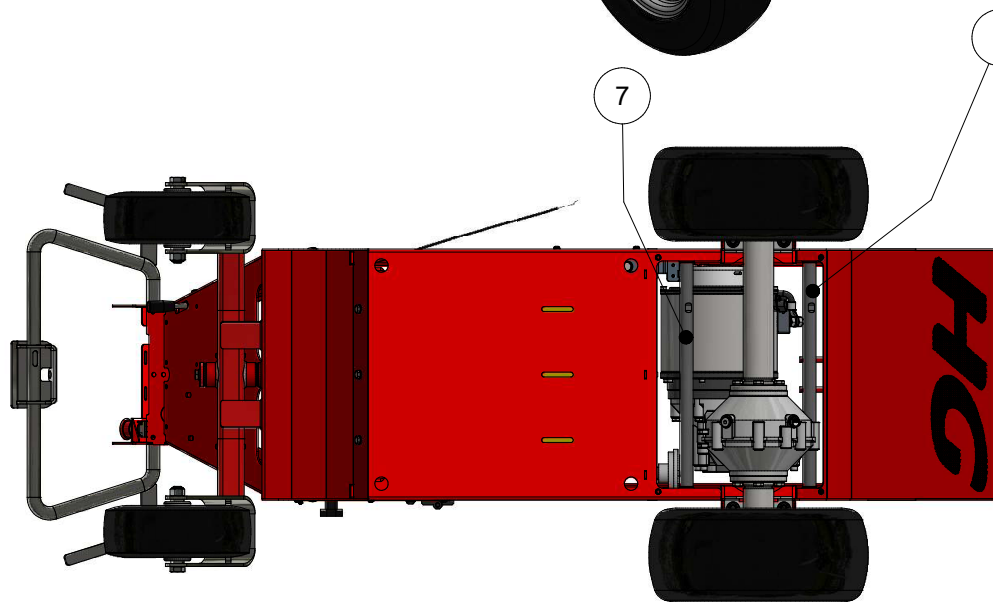
Break all edges

 HEDESTED GRUPPEN	Scale: 1 : 4	Not specified tolerance according to: DS/ISO 2768-m	Sheet size: A3
	 Material:	Surface properties: No	Sheet: 1 / 1
Part No: M104449	Description 1: Bottom Cover assembly		
Description 2:			

Revision	Approved	Date	Revision Description
1	TLD	15-10-2019	Made



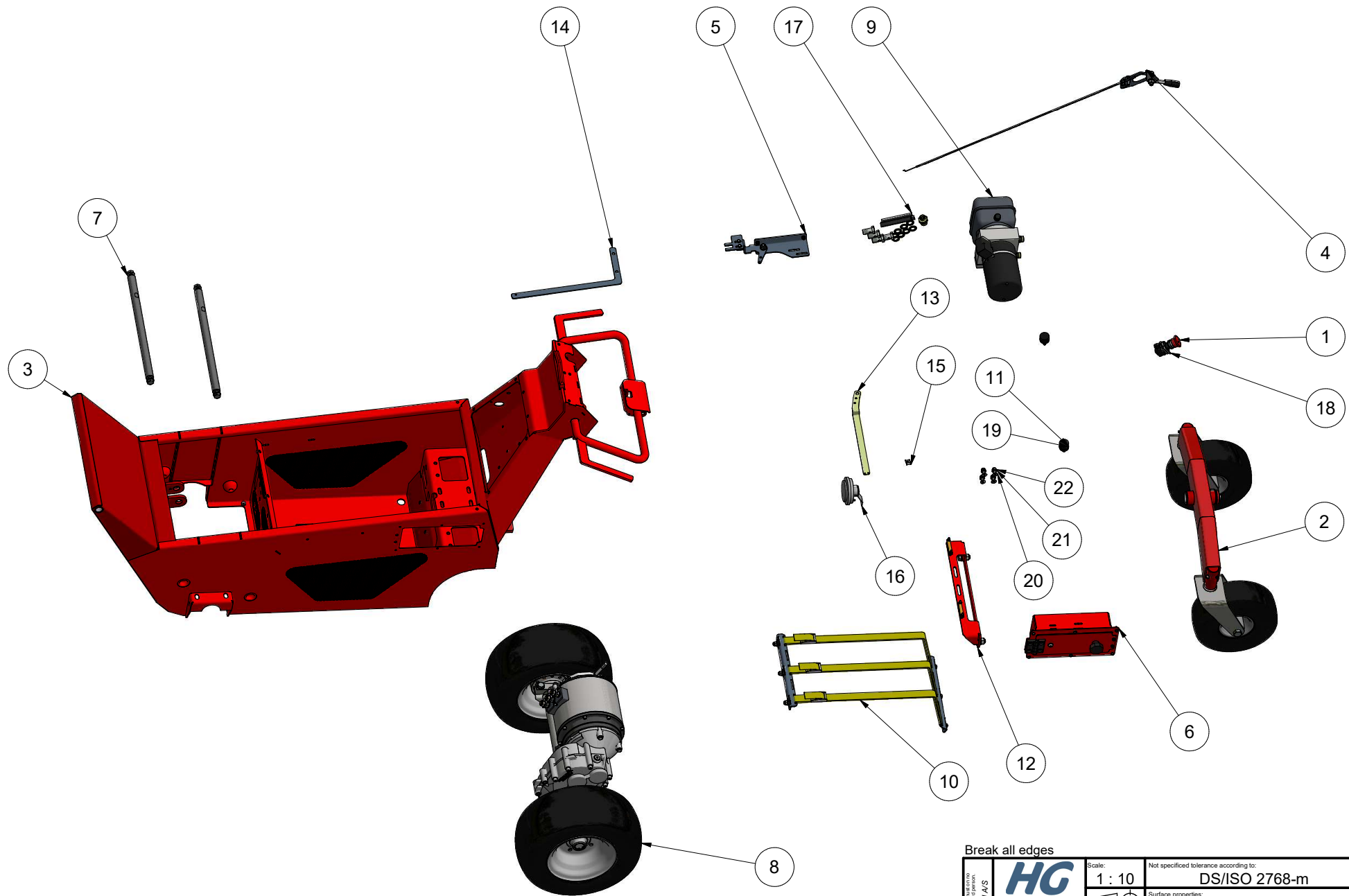
PARTS LIST			
ITEM	QTY	PART NUMBER	DESCRIPTION
1	1	600100	Push button Emergency stop
2	1	M103970	Wheel suspension assembly
3	1	M103976	Superskub E Chassis
4	1	M104451	Neutral selector assembly
5	1	M104456	Neutral release mechanism
6	1	M104496	Well assembly
7	2	M104500	Spacer rod for chassis
8	1	M104548	Trans axle assembly
9	1	M104581	HPU Assembly
10	1	M104587	Battery Lashings
11	2	M104588	Buffer assembly
12	1	M15757	Charger carrier bracket Assembly
13	1	M104811	Releasearm SSE
14	1	M104812	Cablearm for release SSE
15	1	423419	Cable clamp
16	1	M15867	Horn 24V
17	1	M15872	Hoses SSE
18	1	600375	Switch block ZB4BZ104 2NC
19	2	423484	Spacer for rubber
20	4	20408025	Hexagon countersunk head M8x25 FZB
21	4	82108000	Washer M8 FZB
22	4	17908000	Self-locking nut M8 FZB



Break all edges

This drawing is a 3D model of a part. It is not a technical drawing. It is not a drawing of a part. It is a 3D model of a part.		Scale: 1 : 10	Not specified tolerance according to: DS/ISO 2768-m	Sheet size: A3
	HEDEDSTED GRUPPEN A/S		Surface properties: No	Sheet: 1 / 2
	Part No: M103968	Material:		
	Description 1: Grip/valves assembly S.S Electric 2019			
Description 2:				

Revision:	Approved	Date:	Revision Description
3	SK	18-06-2020	Multiple updates



Break all edges

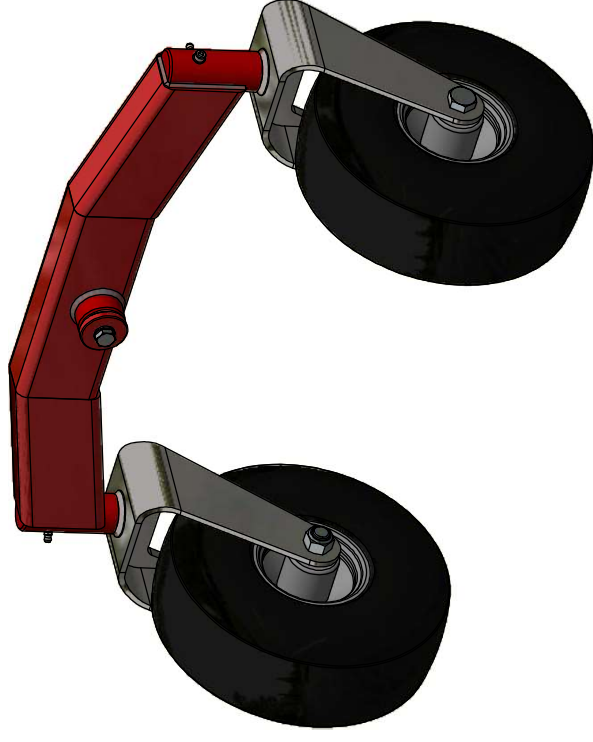
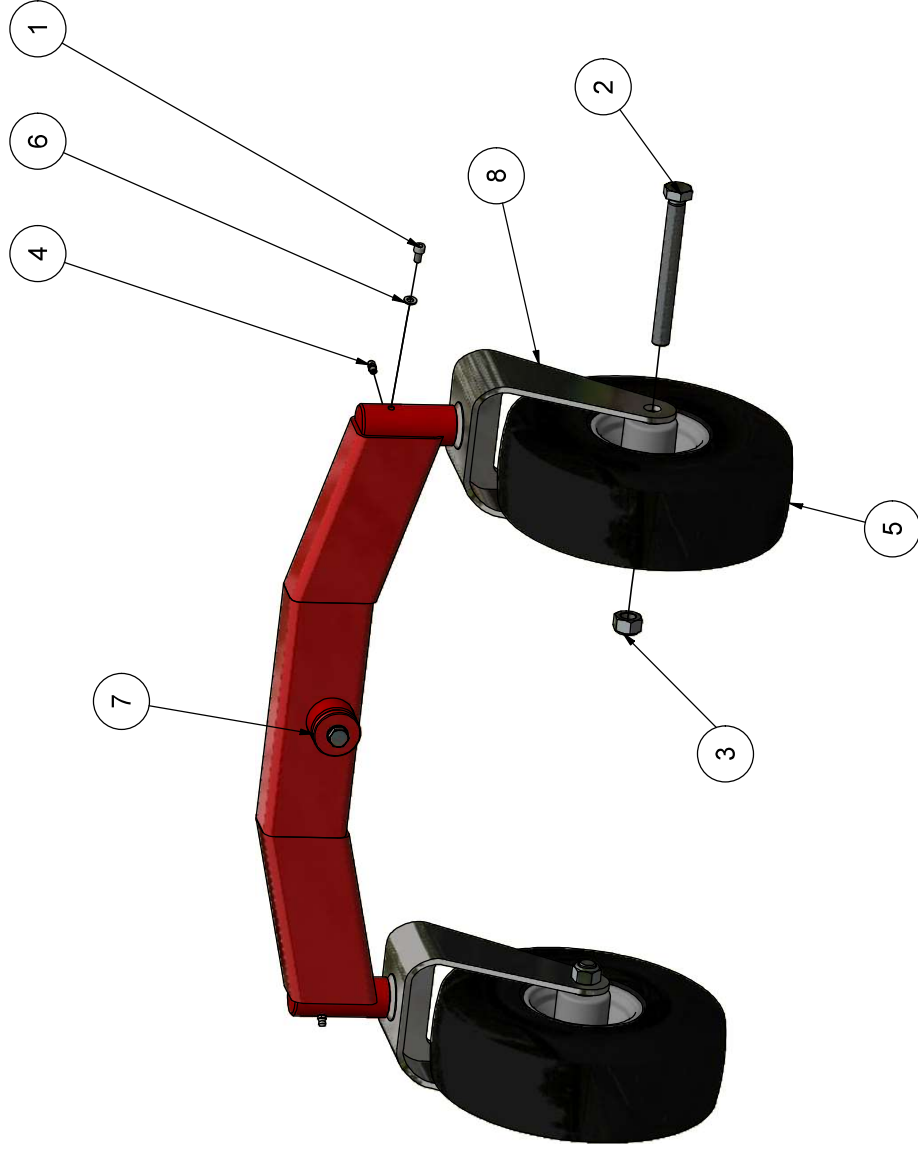
	Scale:	Not specified tolerance according to:	Sheet size:
	1 : 10	DS/ISO 2768-m	A3
		Surface properties:	Sheet:
Part No.:	Material:		2 / 2
M103968			
Description 1:			
Grip/valves assembly S.S Electric 2019			
Description 2:			

Revision:	Approved	Date:	Revision Description
3	SK	18-06-2020	Multiple updates




PARTS LIST

ITEM	QTY	PART NUMBER	DESCRIPTION
1	2	10206012	Hexagon cylinder head M6x12 FZB
2	2	11416150	Hexagon bolt M16x150 FZB
3	2	17916000	Self-locking nut M16 FZB
4	2	423068	Grease nipple M6 straight
5	2	423466	Tire with rim Ø268xØ12,5x120
6	2	82106000	Washer M6 FZB
7	1	M104618	Wheel suspension
8	2	M16039	Fork for wheel HD



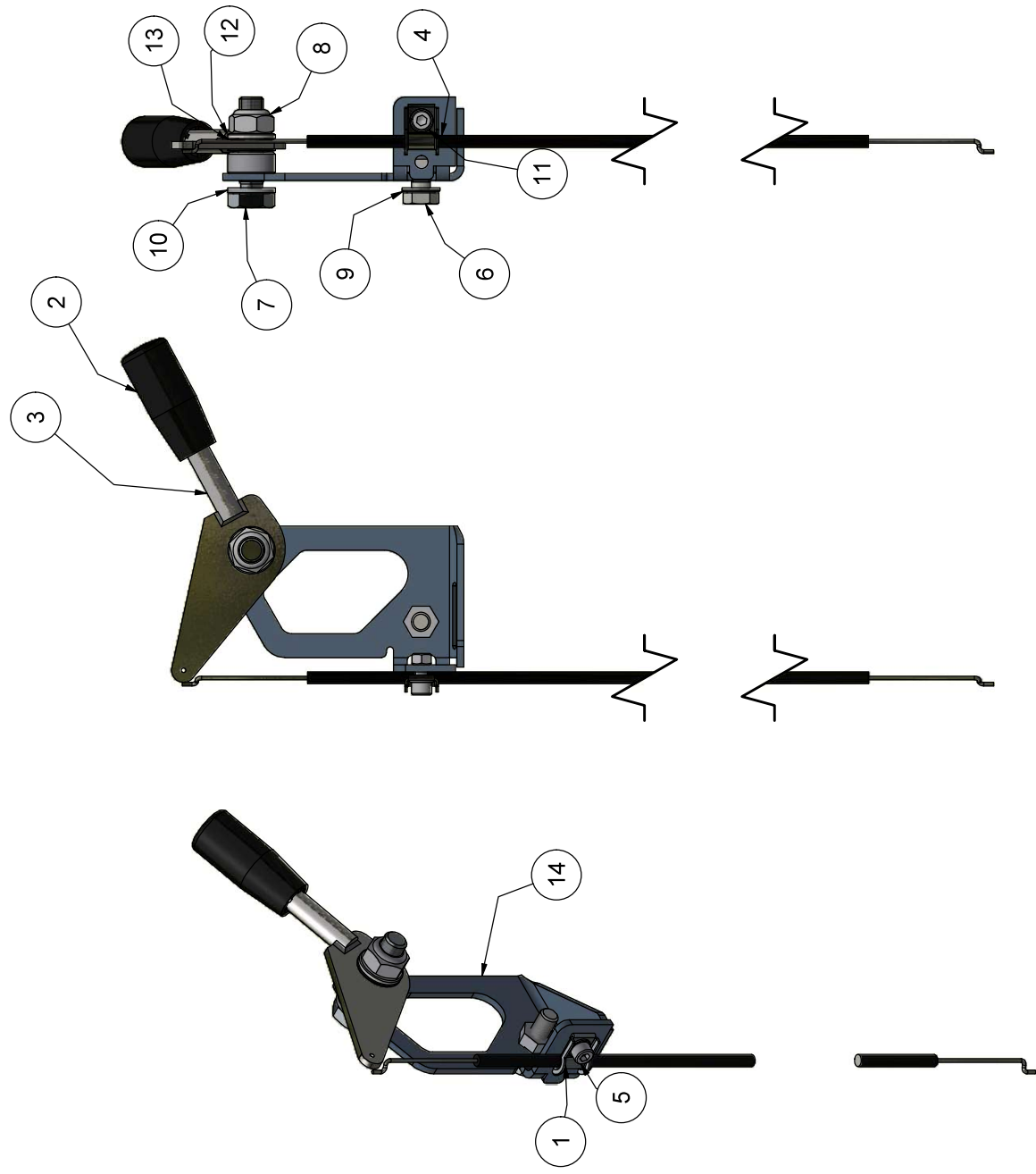
Break all edges

 HEDENSTED GRUPPEN	Scale:	1 : 5	Not specified tolerance according to:	DS/ISO 2768-m	Sheet size:	A3	
	Material:		Surface properties:	No	Sheet:	1 / 1	
Part No.:		M103970		Description 1:			Wheel suspension assembly
Description 2:							

Revision:	Approved	Date:	Revision Description
3	AB	21-09-2020	423465 changed to M16039

PARTS LIST

ITEM	QTY	PART NUMBER	DESCRIPTION
1	1	423419	Cable clamp
2	1	423424	Handle, Ø21 cylindrical knob Ø10
3	1	423426	Gas/choke handle left
4	1	423437	Choker cable S.S. Hydra.
5	1	10205012	Hexagon cylinder head M5x12 FZB
6	1	11408025	Hexagon bolt M8x25 FZB
7	1	11410040	Hexagon bolt M10x40 FZB
8	1	17910000	Self-locking nut M10 FZB
9	1	81808000	Washer M8 A2
10	1	81810000	Washer M10 A2
11	1	82105900	Washer M5 FZB
12	1	82110000	Washer M10 FZB
13	2	89310080	Disc spring 20x10,5x0,8
14	1	M104452	Neutral selector bracket

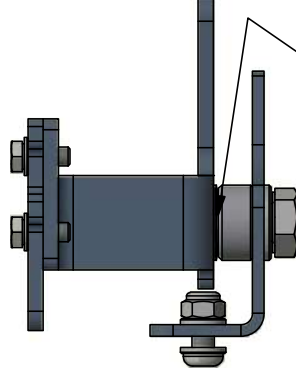
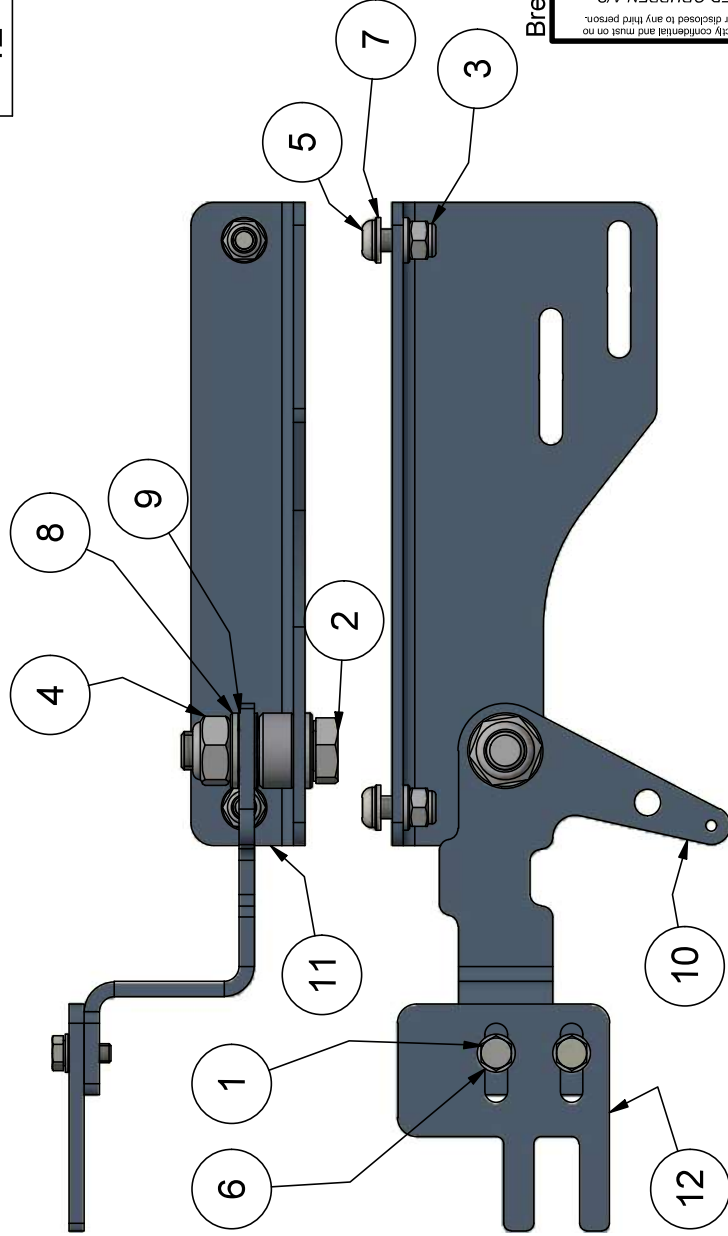
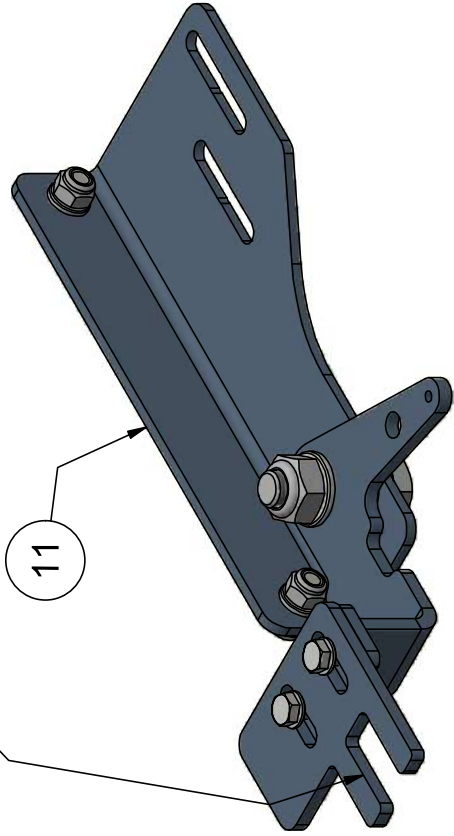


Break all edges

 HEDENSTED GRUPPEN	Scale:	1:2	Not specified tolerance according to:	DS/ISO 2768-m	Sheet size:	A3
	Material:	M104451	Surface properties:	No	Sheet:	1 / 1
Description 1:		Neutral selector assembly				
Description 2:						

Revision:	Approved	Date:	23-03-2020	Revision Description	part M104452 changed
2	AB				

Add rod to neutral mechanism on transaxle



Adjust for loose fit of ITEM 9  
Grease parts before assembly

PARTS LIST

ITEM	QTY	PART NUMBER	DESCRIPTION
1	2	11405012	Hexagon bolt M5x12 FZB
2	1	11410035	Hexagon bolt M10x35 FZB
3	2	17906000	Self-locking nut M6 FZB
4	1	17910000	Self-locking nut M10 FZB
5	2	76006016	Buttonhead bolt M6x16 FZB
6	2	82105900	Washer M5 FZB
7	4	82106000	Washer M6 FZB
8	2	82110000	Washer M10 FZB
9	2	89310080	Disc spring 20x10,5x0,8
10	1	M104454	Neutral release arm
11	1	M104455	Neutral release Weldment
12	1	M104673	Neutral release arm support

Break all edges



Part No.: M104456

Description 1:

Neutral release mechanism

Description 2:

Scale: 1:2

Not specified tolerance according to: DS/ISO 2768-m

Sheet size: A4



Surface properties: No

Sheet: 1/1

Material:

This document is strictly confidential and must on no account be copied or disclosed to any third person.  
HEDENSTED GRUPPEN A/S

Revision Description

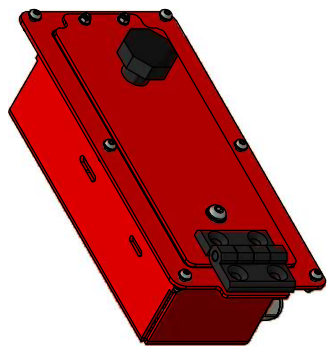
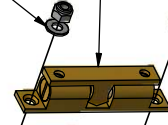
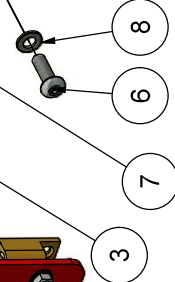
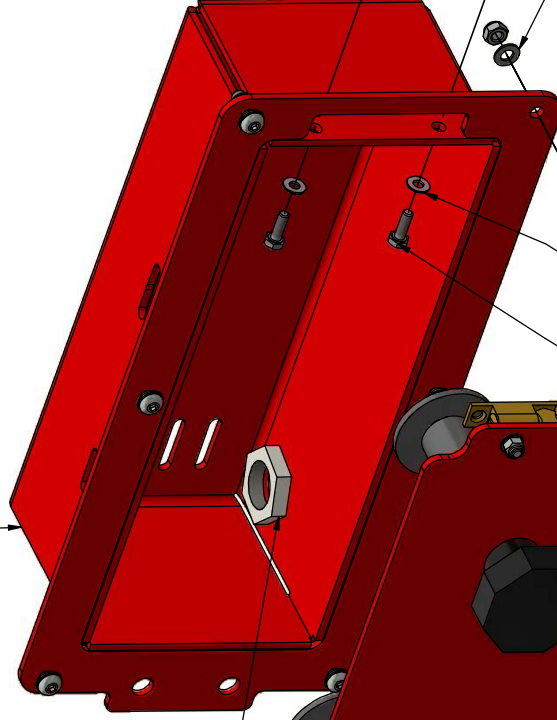
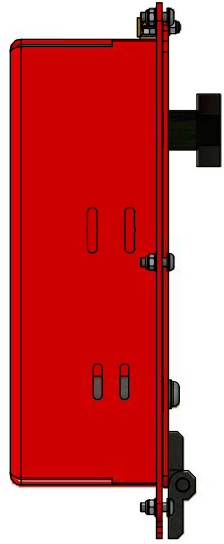
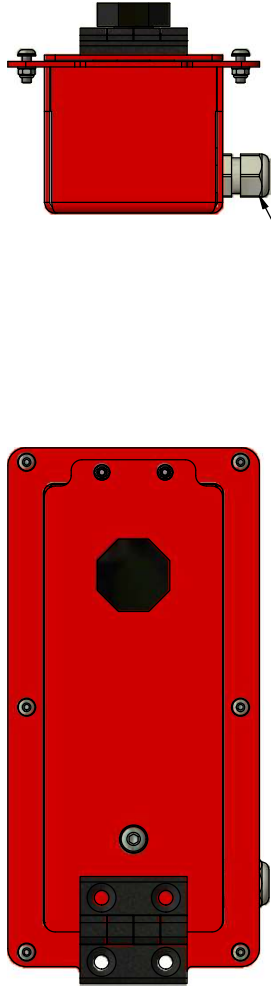
Date:

Approved

3 AB 24-03-2020 Part M104454 changed and M104456 deleted

PARTS LIST

ITEM	QTY	PART NUMBER	DESCRIPTION
1	1	600455	Cabel gland M20 Ø5-12
2	1	600475	Cable gland nut polyamid M20
3	2	11104012	Hexagon bolt M4x12 FZB
4	2	17904000	Self-locking nut M4 FZB
5	6	17905000	Self-locking nut M5 FZB
6	6	21805016	Buttonhead bolt M5x15 A2
7	4	81804000	Washer M4 A2
8	12	81805000	Washer M5 A2
9	1	M104504	Ball Catch
10	1	M104505	Well Assembly
11	1	M104506	Cover assembly



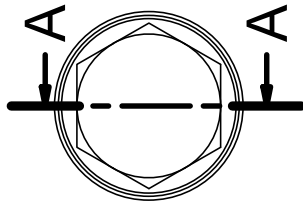
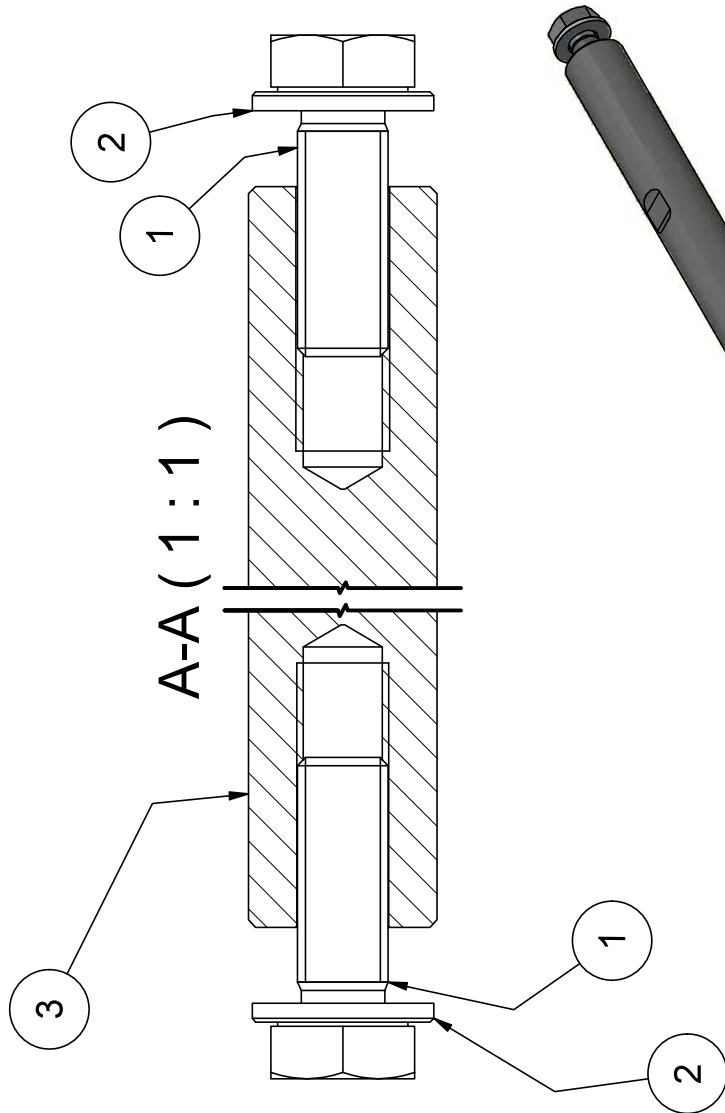
Break all edges

 HEDENSTED GRUPPEN	Scale:	1 : 3	Not specified tolerance according to:	DS/ISO 2768-m	Sheet size:	A3
	Material:		Surface properties:	No	Sheet:	1 / 1
Part No.:	M104496					
Description 1:	Well assembly					
Description 2:						

Revision:	Approved	Date:	24-03-2020	Revision Description	New parts and changes for subparts
3	AB				

PARTS LIST

ITEM	QTY	PART NUMBER	DESCRIPTION
1	2	11412035	Hexagon bolt M12x35 FZB
2	2	82112000	Washer M12 FZB
3	1	M104499	Spacer rod



Break all edges



HEDENSTED  
GRUPPEN

Part No.:  
M104500

Description 1:

Spacer rod for chassis

Description 2:

Scale: 1:1

Not specified tolerance according to: DS/ISO 2768-m

Surface properties: No

Material:

Sheet size: A4

Sheet: 1/1

This document is strictly confidential and must on no account be copied or disclosed to any third person.  
HEDENSTED GRUPPEN A/S

Revision: 1

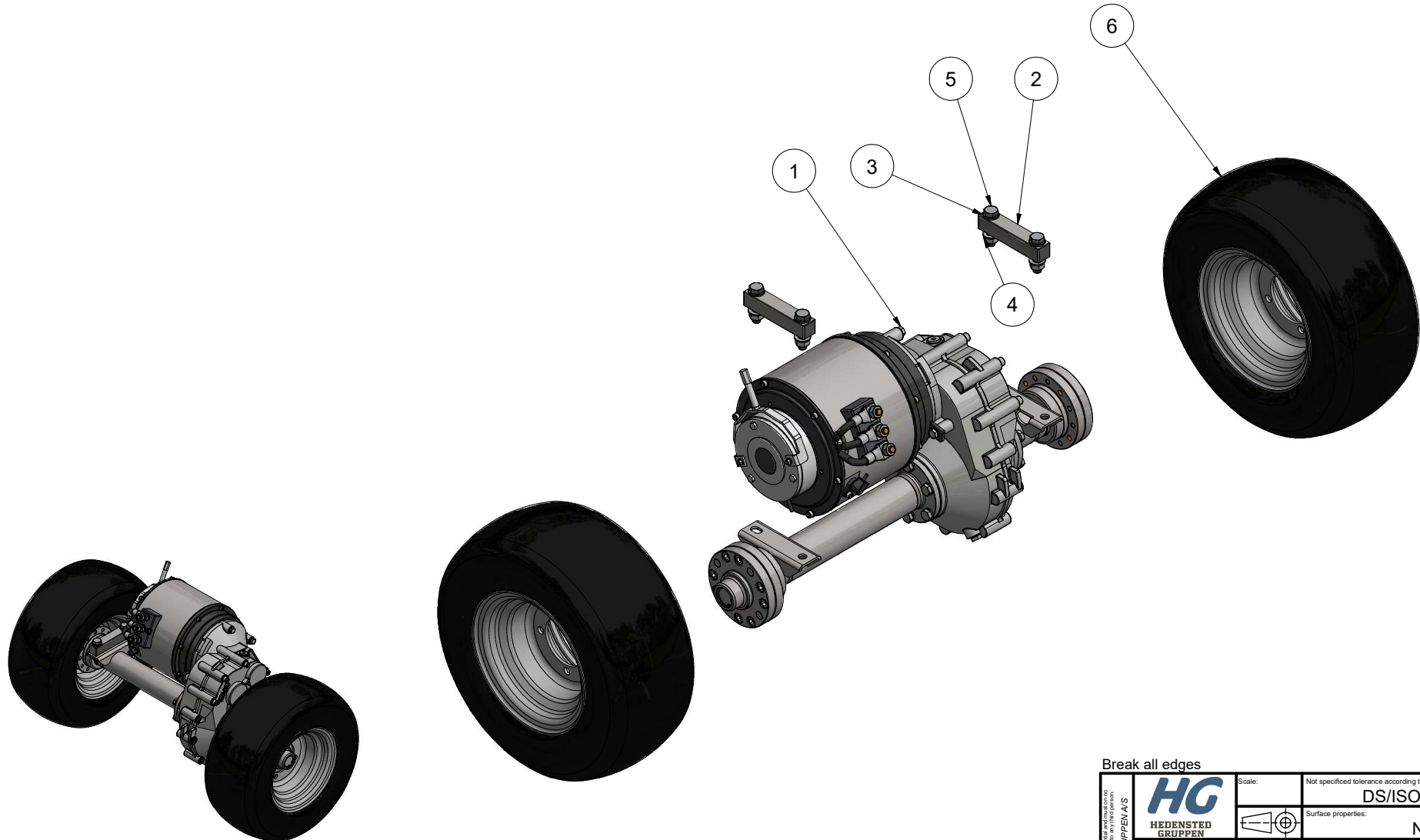
Approved: TLD

Date: 07-11-2019


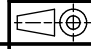
Revision Description: Made

PARTS LIST

ITEM	QTY	PART NUMBER	DESCRIPTION
1	1	M103882	Transaksel 1:20 2,0kW
2	2	M104549	Tension bracket
3	8	82112000	Washer M12 FZB
4	4	17912000	Self-locking nut M12 FZB
5	4	11412055	Hexagon bolt M12x55 FZB
6	2	M104570	Wheel 18x7.00-8/6 TL TR360 4/60/100 silve

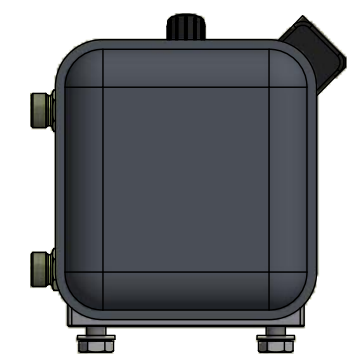
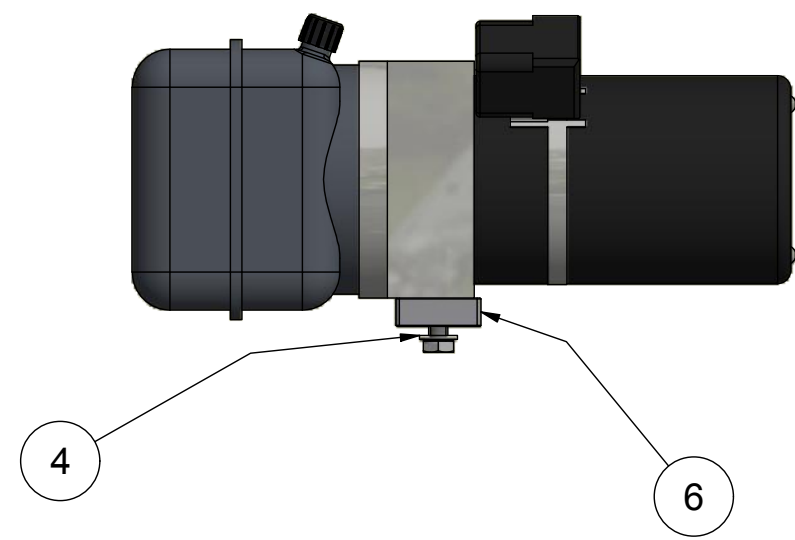
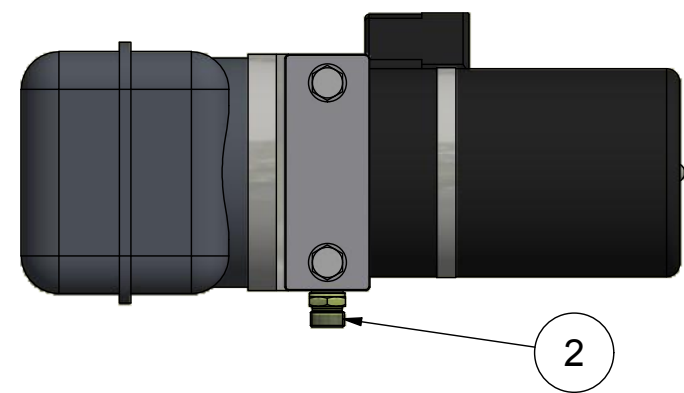
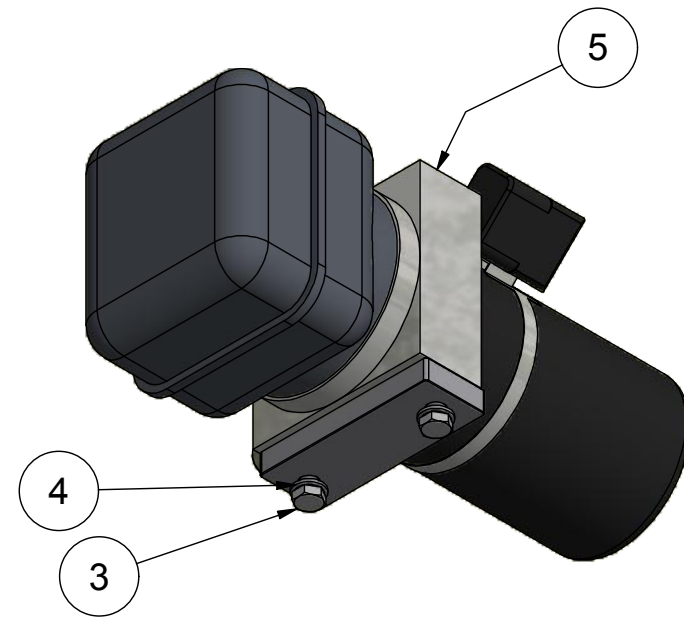


Break all edges

HEDESTED GRUPPEN A/S The information on this drawing is the property of HEDESTED GRUPPEN A/S and is not to be disclosed to any third party.		Scale:	Not specified tolerance according to:	Sheet size:
	HEDESTED GRUPPEN		DS/ISO 2768-m	A3
	Part No:	Material:	Surface properties:	Sheet:
	M104548		No	1 / 1
Description 1:		Trans axle assembly		
Description 2:				

Revision:	Approved	Date:	Revision Description
2	TLD	06-11-2019	Made



Item not shown



PARTS LIST

ITEM	QTY	PART NUMBER	DESCRIPTION
1	2,0 l	476721	Hydraulic oil Q8 handel 46
2	2	477110	Straight connector w. gasket Ø12L x 1/4"
3	2	11410035	Hexagon bolt M10x35 FZB
4	2	81810000	Washer M10 A2
5	1	M103900	Power bag
6	1	M104579	Assembly Tab for HPU

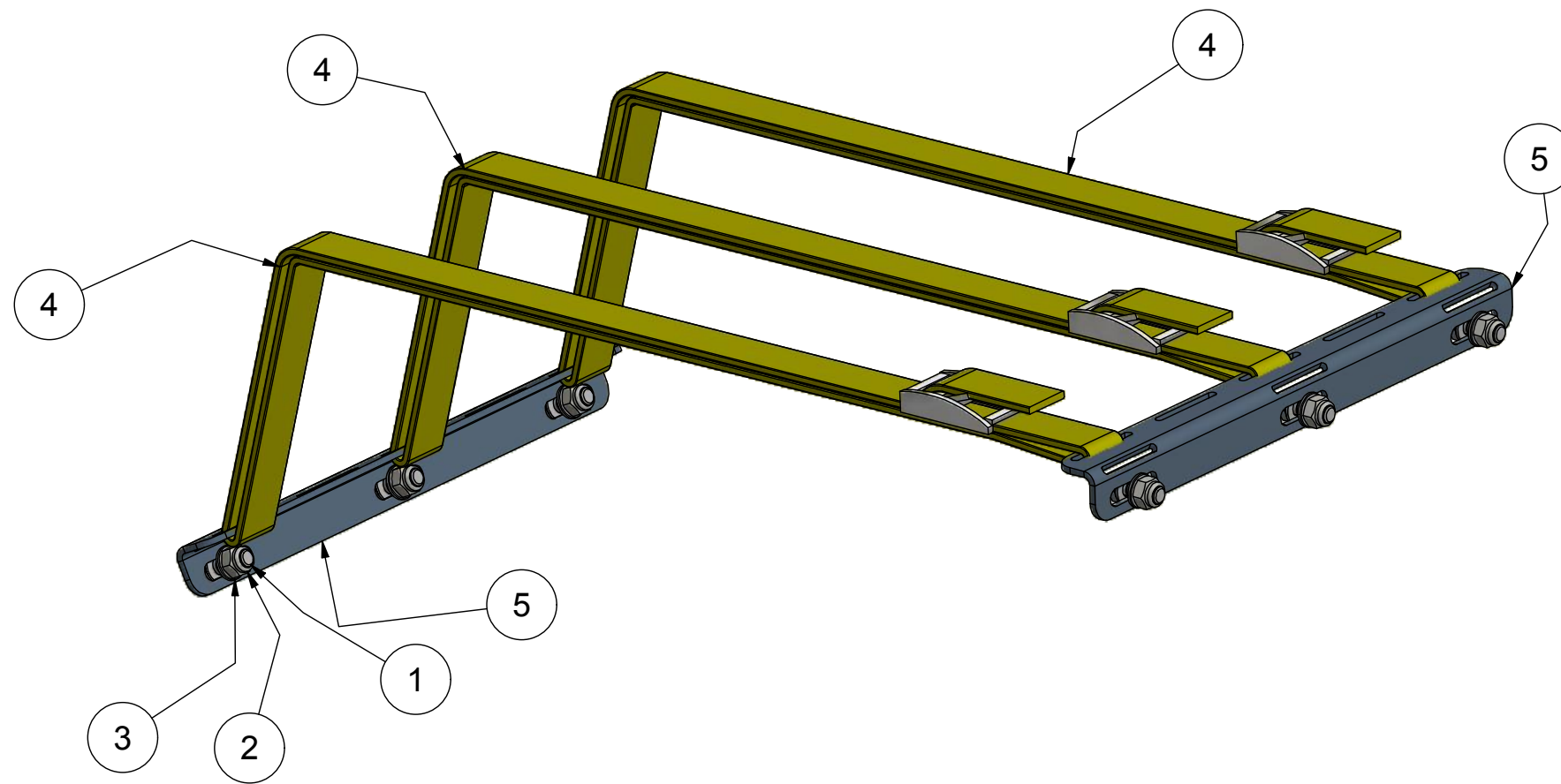
Break all edges

<small>This document is strictly confidential and must not be accounted for copied or disclosed to any third person.</small> <b>HEDENSTED GRUPPEN A/S</b>	 <b>HEDENSTED GRUPPEN</b>	Scale: <b>1 : 4</b>	Not specified tolerance according to: <b>DS/ISO 2768-m</b>	Sheet size: <b>A3</b>
	Part No.: <b>M104581</b>	Material:	 Surface properties: <b>No</b>	Sheet: <b>1 / 1</b>
Description 1: <b>HPU Assembly</b>				
Description 2:				

Revision:	Approved	Date:	Revision Description
3	AB	25-03-2020	Part 477110 and 2L 476721 added

Model only for illustration  
 Drilling of 6 x Ø8,5 holes needed for installation  
 Mount components according to size of specific battery package

PARTS LIST			
ITEM	QTY	PART NUMBER	DESCRIPTION
1	6	11408020	Hexagon bolt M8x20 FZB
2	6	17908000	Self-locking nut M8 FZB
3	12	82108000	Washer M8 FZB
4	3	M104473	Lashing strap 25 mm, 2 meter, 200 kg
5	2	M104516	Bracket for cargo strap



Break all edges

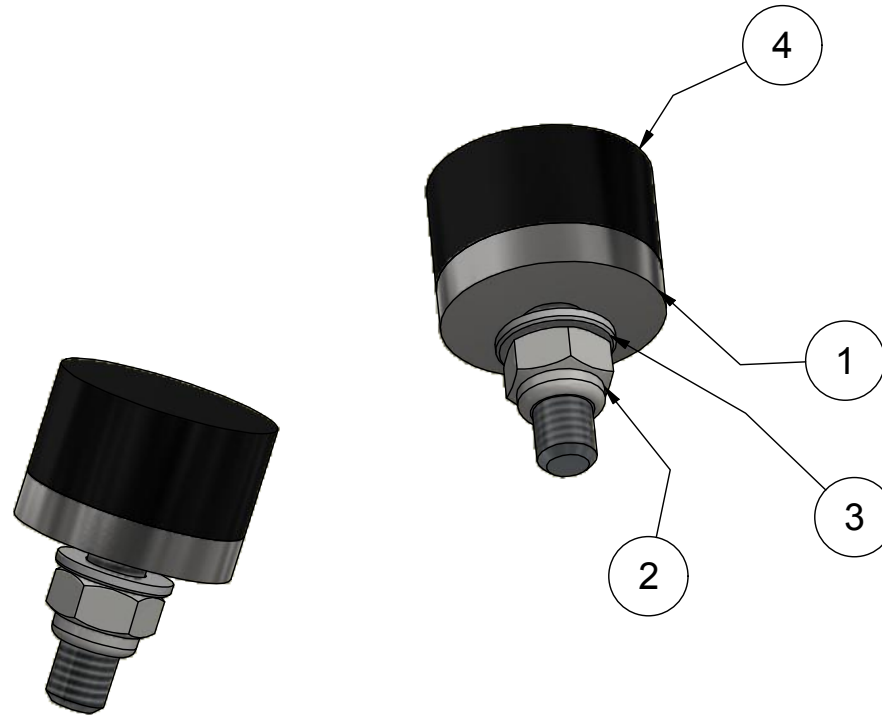
This document is strictly confidential and must not be accounted for copied or disclosed to any third person. <b>HEDENSTED GRUPPEN A/S</b>	<b>HG</b>	Scale:	Not specified tolerance according to:	Sheet size:
	HEDENSTED GRUPPEN	1 : 3	DS/ISO 2768-m	A3
	Part No.:		Surface properties:	Sheet:
	M104587	No	1 / 1	
Description 1:		Material:		
Battery Lashings				
Description 2:				

Revision:	Approved	Date:	Revision Description
4	AB	25-03-2020	M104486 removed



## PARTS LIST

ITEM	QTY	PART NUMBER	DESCRIPTION
1	1	423484	Spacer for rubber
2	1	17908000	Self-locking nut M8 FZB
3	1	82108000	Washer M8 FZB
4	1	M104799	Vibration absorber Ø30x15 - M8x28



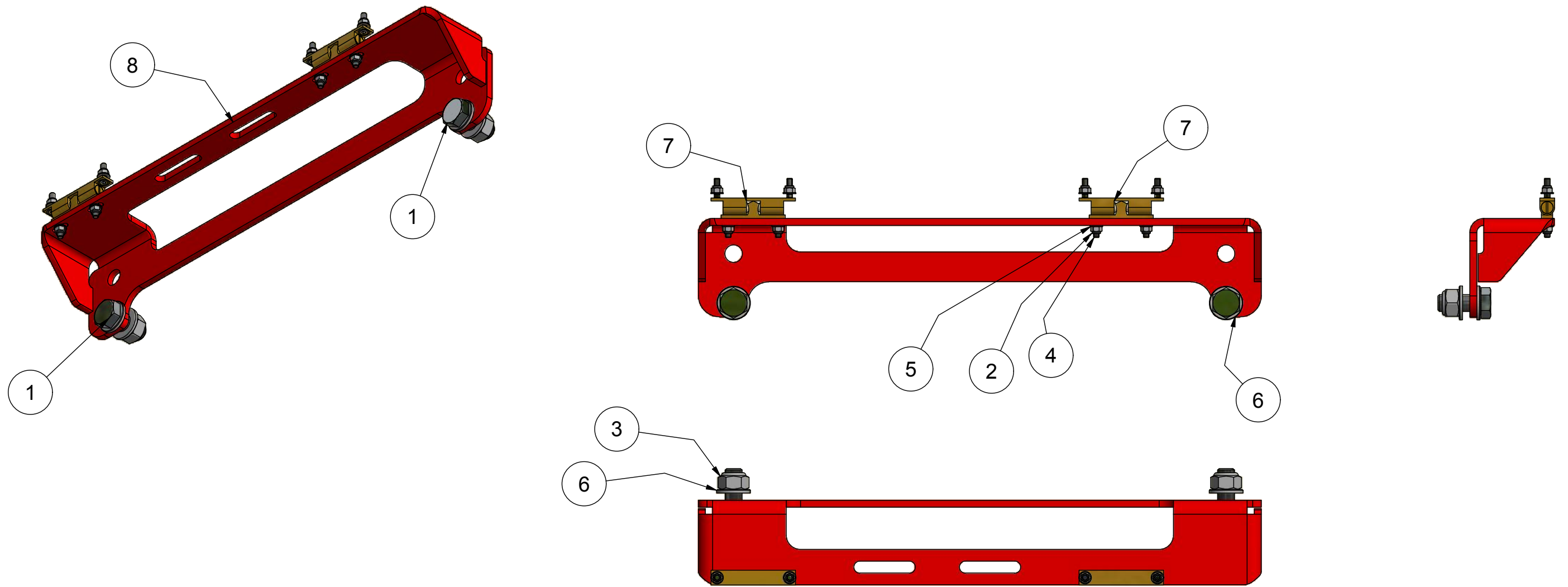
Break all edges

This document is strictly confidential and must not be copied or disclosed to any third person. <b>HEDENSTED GRUPPEN A/S</b>	 <b>HEDENSTED GRUPPEN</b>	Scale:	1 : 1	Not specified tolerance according to:	DS/ISO 2768-m	Sheet size:	A4
		Surface properties:	No		Sheet:	1 / 1	
	Part No.:	M104588					
	Description 1:	<b>Buffer assembly</b>					
Description 2:							

Revision:	Approved	Date:	Revision Description
2	KKS	12-03-2020	Vibration absorber changed

PARTS LIST

ITEM	QTY	PART NUMBER	DESCRIPTION
1	2	11412030	Hexagon bolt M12x30 FZB
2	8	17904000	Self-locking nut M4 FZB
3	2	17912000	Self-locking nut M12 FZB
4	8	20404016	Hexagon countersunk head M4x16 FZB
5	8	81804000	Washer M4 A2
6	4	82112000	Washer M12 FZB
7	2	M104504	Ball Catch
8	1	M104584	Flange for charger carrier



Break all edges

The document is strictly confidential and must not be accounted for copied or disclosed to any third person. HEDENSTED GRUPPEN A/S		Scale:	Not specified tolerance according to:	Sheet size:
		1 : 3	DS/ISO 2768-m	A3
Part No.:	Material:	Surface properties: No		
		M15757		
Description 1:				
Charger carrier bracket Assembly				
Description 2:				

Revision:	Approved	Date:	Revision Description
4	AB	25-03-2020	11412030 added