

HG

SUPER SKUB HYDRA

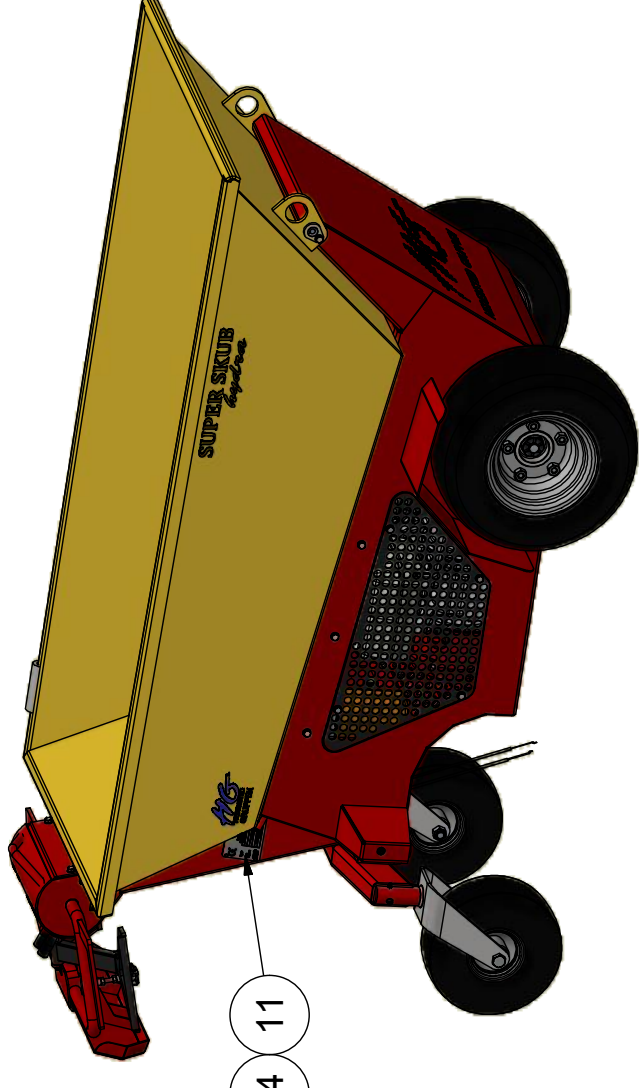
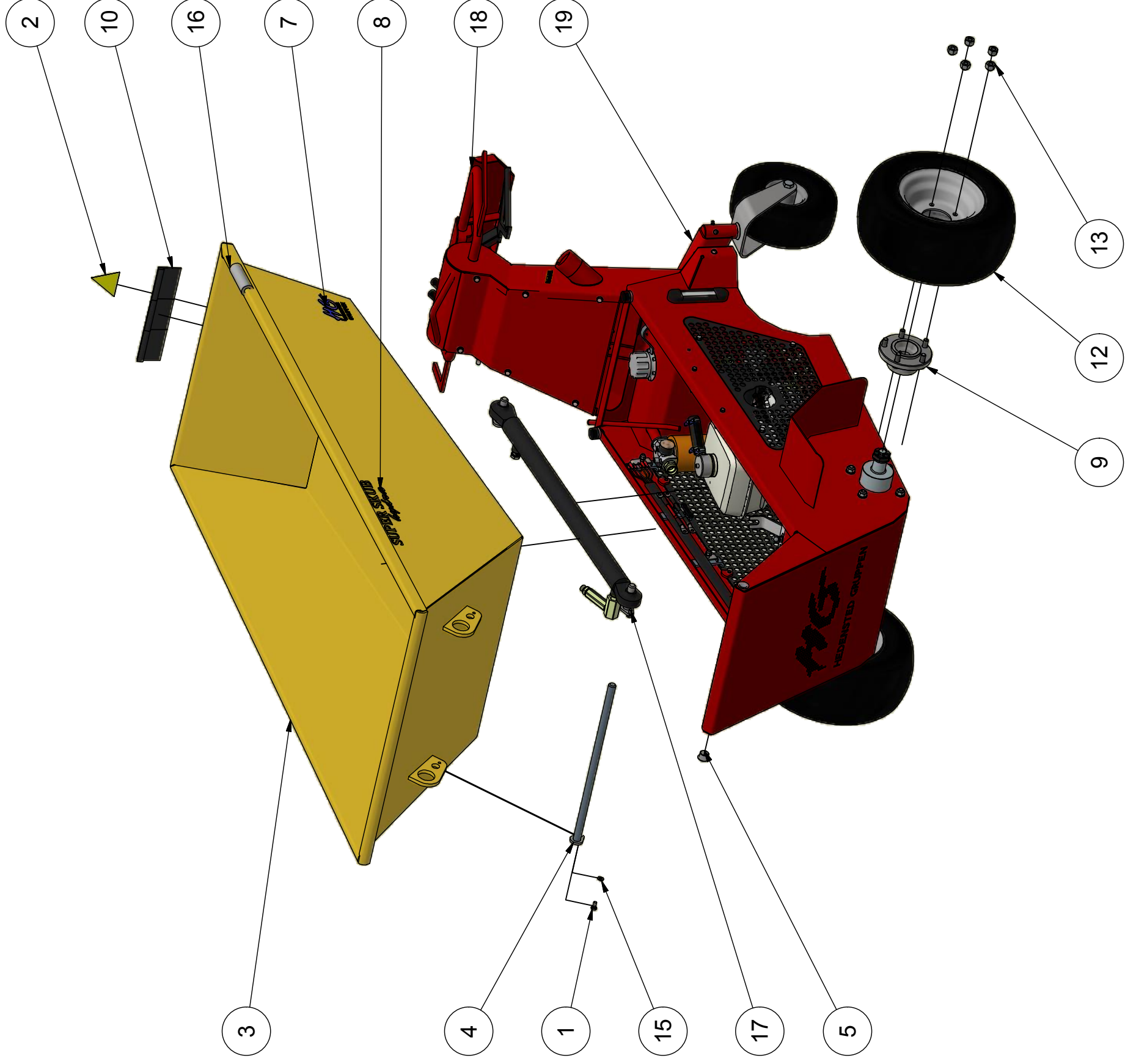


SPARE PARTS LIST Year 2016 -

Made 08-02-2016

PARTS LIST

ITEM	QTY	PART NUMBER	DESCRIPTION
1	1	11408016	Hexagon bolt M8x16 FZB
2	1	31009	Warning sign. Crushing
3	1	423400	Container for SS hydra
4	1	423410	Tilting shaft for hydra
5	2	423428	Slide bushing Ø20xØ23x15
6	1	423438	Logo forward, rev, tilt, throttle,
7	2	423439	HG Logo - size 75 x110mm
8	2	423440	Logo SS Hydra
9	2	423471	Wheel hub for omrw
10	0,3 m	423478	Edge profile w/Lip 54mm
11	1	423506	ID plate Super skub / Hydra
12	2	474733	Wheel F. LP190-8/8 Hf400 silve
13	10	479910	Wheel nut M12x1,5 NV22 60°FZB
14	4	7003208	Blind rivet Ø3.2x8 (4-5,5)
15	1	82108000	Washer M8 FZB
16	4,5 m	853026	Thermo insulation, 33/8mm
17	1	M102406	Hydraulic cylinder assembly
18	1	M102502	Base assembly 2, S.S Hydra 2016
19	1	M12110	Wheel suspension assembly



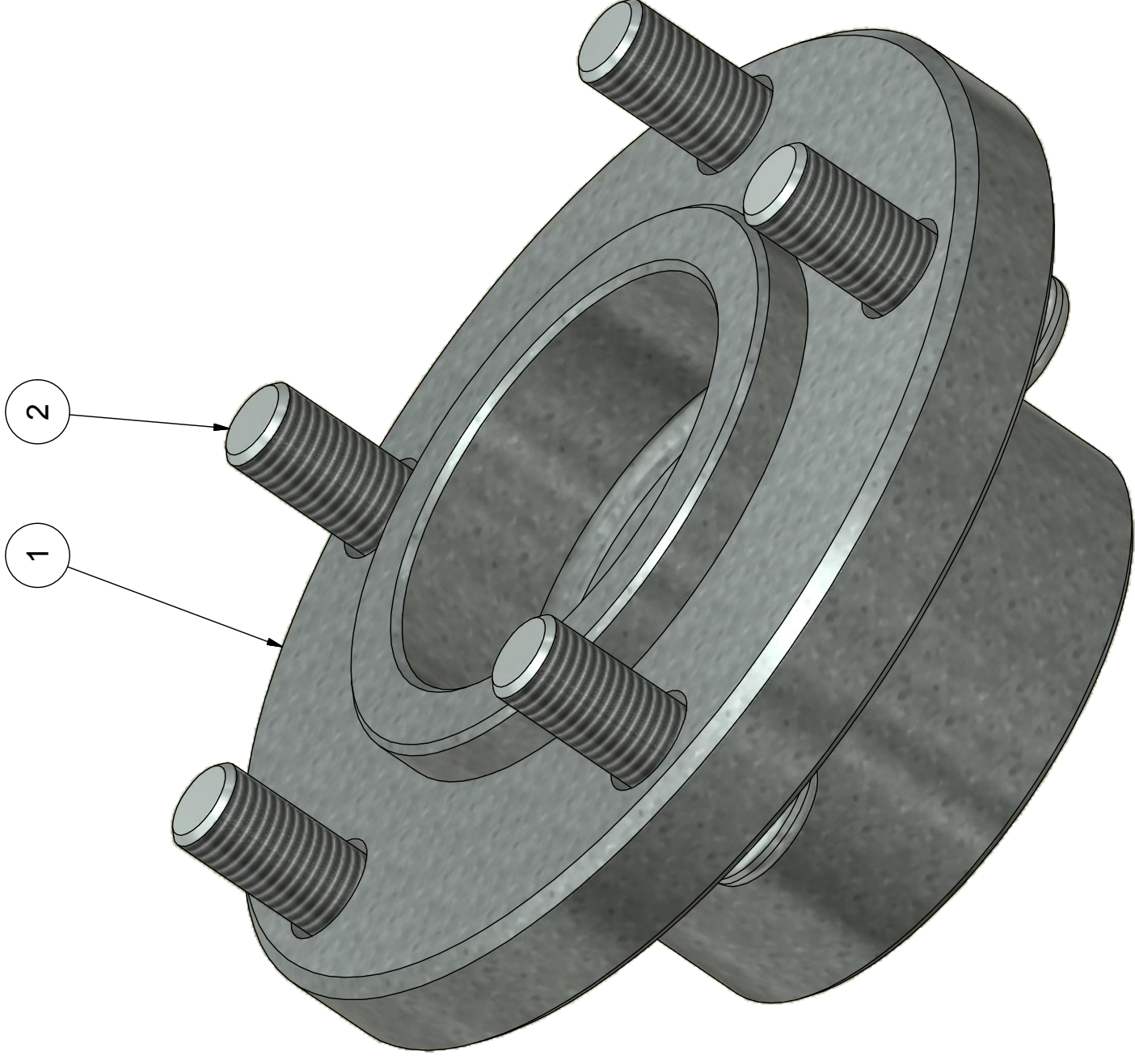
Break all edges

 HEDENSTED GRUPPEN	Scale:	1 : 15	Not specified tolerance according to:	DS/ISO 2768-m	Sheet size:	A3	
					Surface properties:	No	
Part No.:	280100					Sheet:	1 / 1
Description 1: HG S.S Hydra 2016 electric start Description 2: Incl. Suspension							



Revision:	Approved	Date:	Revision Description
1	KL	08-02-2016	Made

Parts List		
ITEM	QTY	PART NUMBER DESCRIPTION
1	1	43364 Wheel hub
2	5	479920 Hub bolt M12-1,5x36

Use jig and hydraulic press to mount bolts



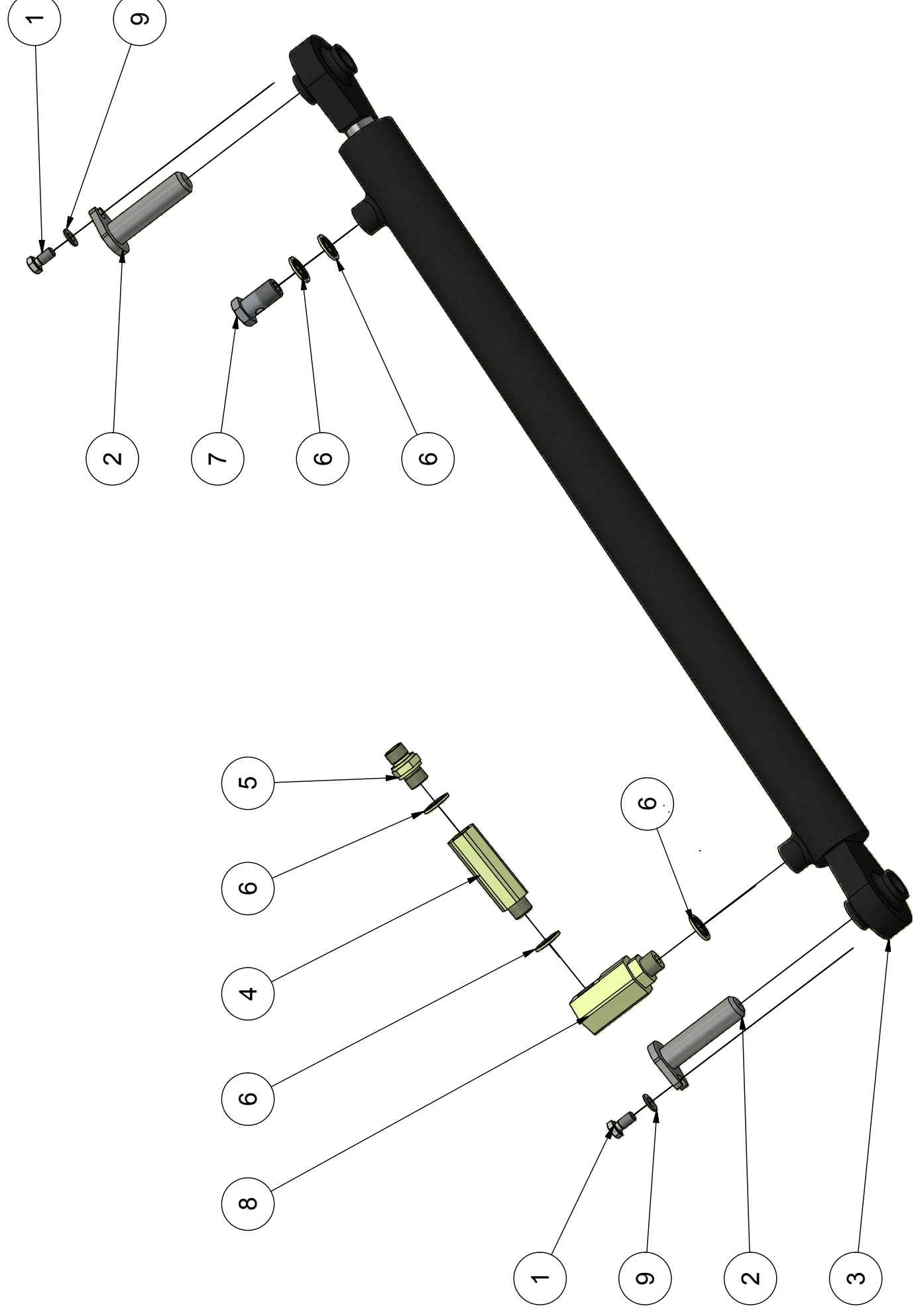
Break all edges

 HEDENSTED GRUPPEN		Scale: 2 : 1,5	Not specified tolerance according to: DS/ISO 2768-m	Sheet size: A3
Part No.: 423471		 Surface properties:	Sheet: 1 / 1	
Description 1: Wheel hub for omrw				
Description 2: For OMRW 315				

Revision:	Approved	Date:	Revision Description
1	HG	28-09-2015	Revision changed to numeric

PARTS LIST

ITEM	QTY	PART NUMBER	DESCRIPTION
1	2	11408016	Hexagon bolt M8x16 FZB
2	2	423409	Lock pin for cylinder
3	1	423461	Hydraulic cylinder
4	1	423462	Hose leak valve
5	1	477100	Straight connector 3/8" x 3/8"
6	5	477163	Bopnded seal washer 3/8"
7	1	477222	Banjo bolt 3/8"
8	1	477225	Swivel 90° GG 3/8"
9	2	82108000	Washer M8 FZB



Break all edges

 HEDENSTED GRUPPEN	Scale:	1 : 4	Not specified tolerance according to:	DS/ISO 2768-m	Sheet size:	A3
	Material:	M102406	Surface properties:	No	Sheet:	1 / 1
Part No.: M102406 Description 1: Hydraulic cylinder assembly Description 2:						

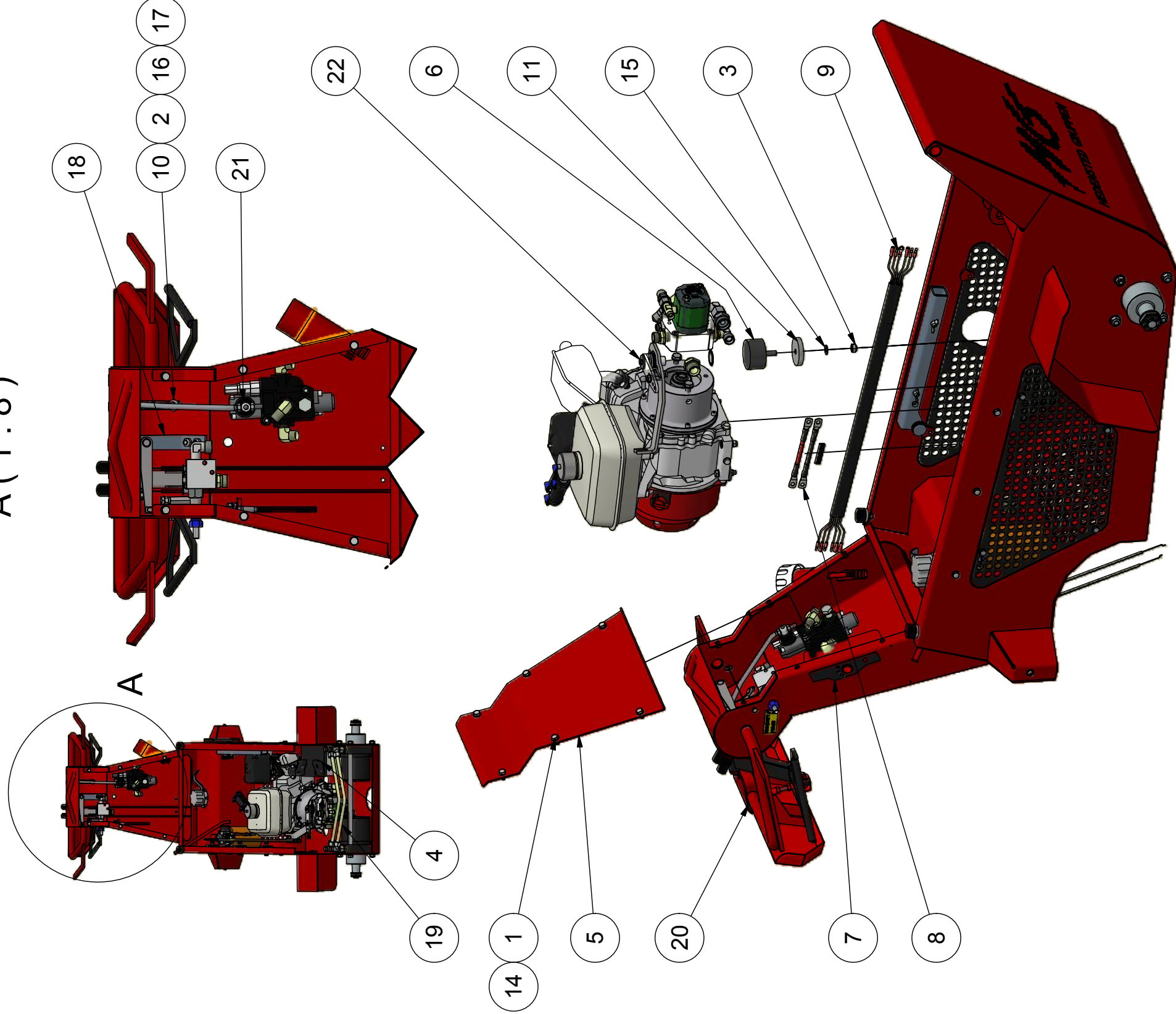
Revision:	Approved	Date:	Revision Description
1	SK	21-09-2016	Made

This document is strictly confidential and must not be copied or disclosed to any third person.
 HEDENSTED GRUPPEN A/S

PARTS LIST

ITEM	QTY	PART NUMBER	DESCRIPTION
1	6	11408016	Hexagon bolt M8x16 FZB
2	1	11412016	Hexagon bolt M12x16 FZB
3	1	17910000	Self-locking nut M10 FZB
4	1	422676	Battery assembly
5	1	423411	Coverplate for frame
6	1	423421	Vibration absorber Ø65x35 - M10
7	1	423464	Sticker for key start
8	1	423468	Power supply for battery
9	1	423469	Power supply for engine
10	1	423482	Nut for stop screw
11	1	423542	Washer for vibration absorber
12	5,0 l	476505	Gasoline 95 unleaded
13	17,0 l	476721	Hydraulic oil Q8 handel 46
14	6	82108000	Washer M8 FZB
15	1	82110000	Washer M10 FZB
16	1	82112000	Washer M12 FZB
17	1	87512000	Spring washer M12 FZB
18	1	M102038	Assembly bearing for handle
19	1	M102490	Wheel motor assembly
20	1	M102503	Assembly frame 2
21	1	M102504	Valves assembly S.S 2016
22	1	M102505	Engine assembly 3 TMP

A (1:8)



Break all edges

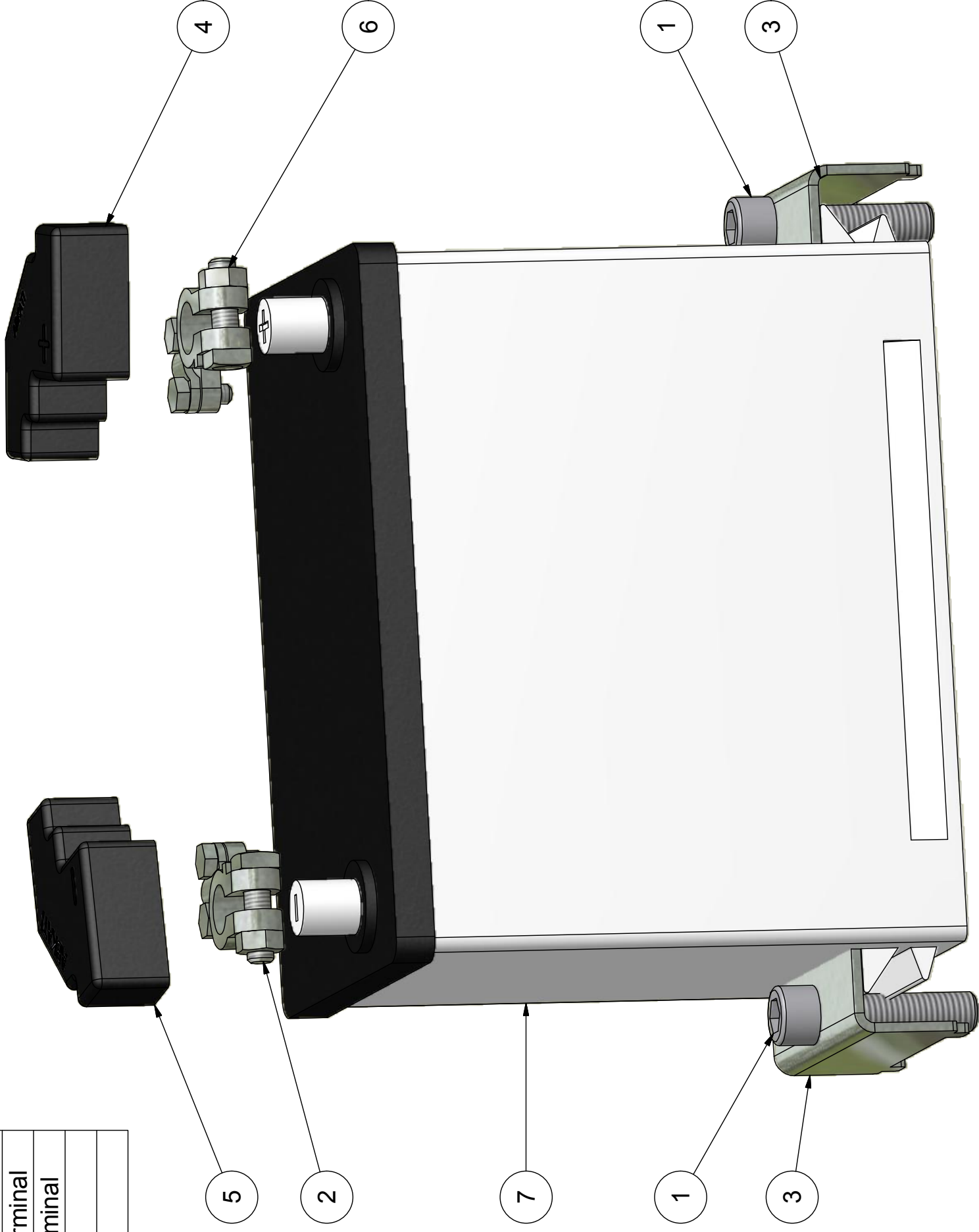
HEDENSTED GRUPPEN A/S
 This document is strictly confidential and must not be copied or disclosed to any third person.

 HEDENSTED GRUPPEN	Scale: 1:10	Not specified tolerance according to: DS/ISO 2768-m	Sheet size: A3
	 Material: M102502	Surface properties: No	Sheet: 1/1
Description 1: S.S Hydra 2016, Base assembly 2			
Description 2:			

Revision:	Approved	Date:	Revision Description
1	KL	08-02-2016	Made

Parts List

ITEM	QTY	PART NUMBER	DESCRIPTION
1	2	10212050	Hexagon cylinder head M12x50 FZB
2	1	421419	Negative terminal
3	2	423467	Brace for battery
4	1	423496	Cover for positive terminal
5	1	423497	Cover for gorund terminal
6	1	423529	Positive terminal
7	1	476010	Battery



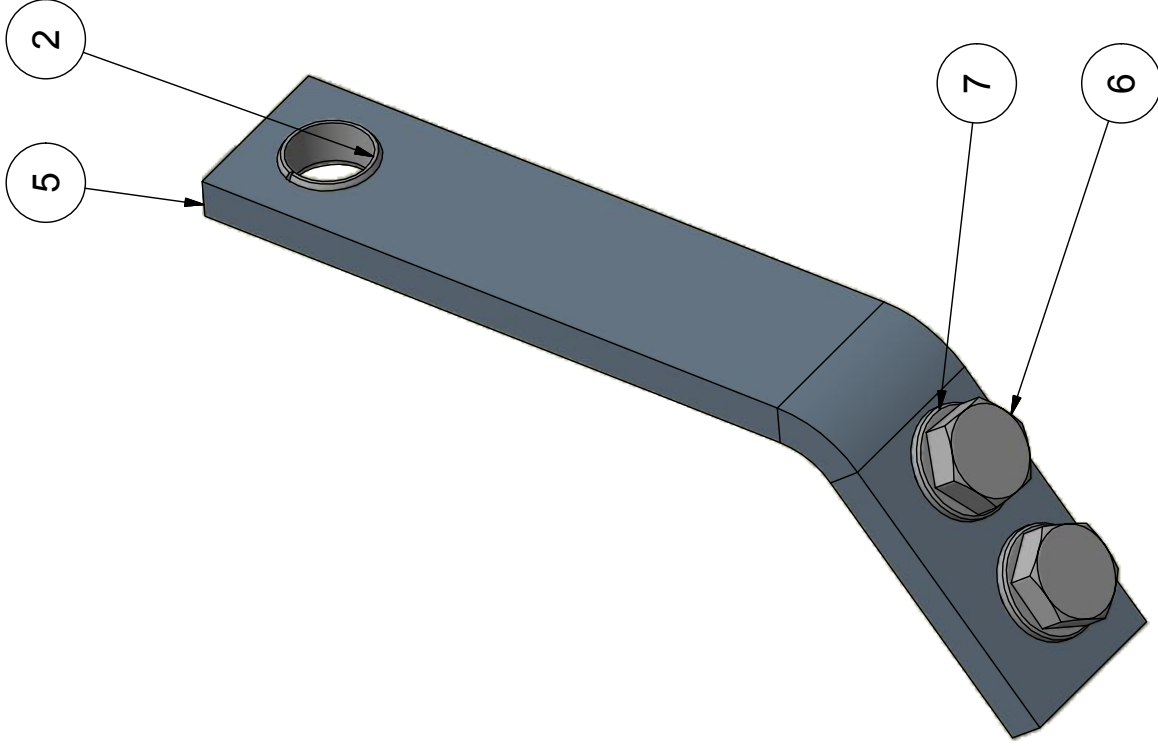
Break all edges

HG HEDENSTED GRUPPEN		Scale: 1 : 1,5	Not specified tolerance according to: DS/ISO 2768-m	Sheet size: A3
Part No.: 422676		Surface properties:		Sheet: 1 / 1
Description 1: Battery assembly		Description 2:		

Revision:	Approved	Date:	Revision Description
1	HG	28-09-2015	Revision changed to numeric

PARTS LIST

ITEM	QTY	PART NUMBER	DESCRIPTION
2	1	423423	Slide bushing Ø12xØ14x7
5	1	423414	Bracket for butterfly handle
6	2	11408020	Hexagon bolt M8x20 FZB
7	2	82108000	Washer M8 FZB



Break all edges

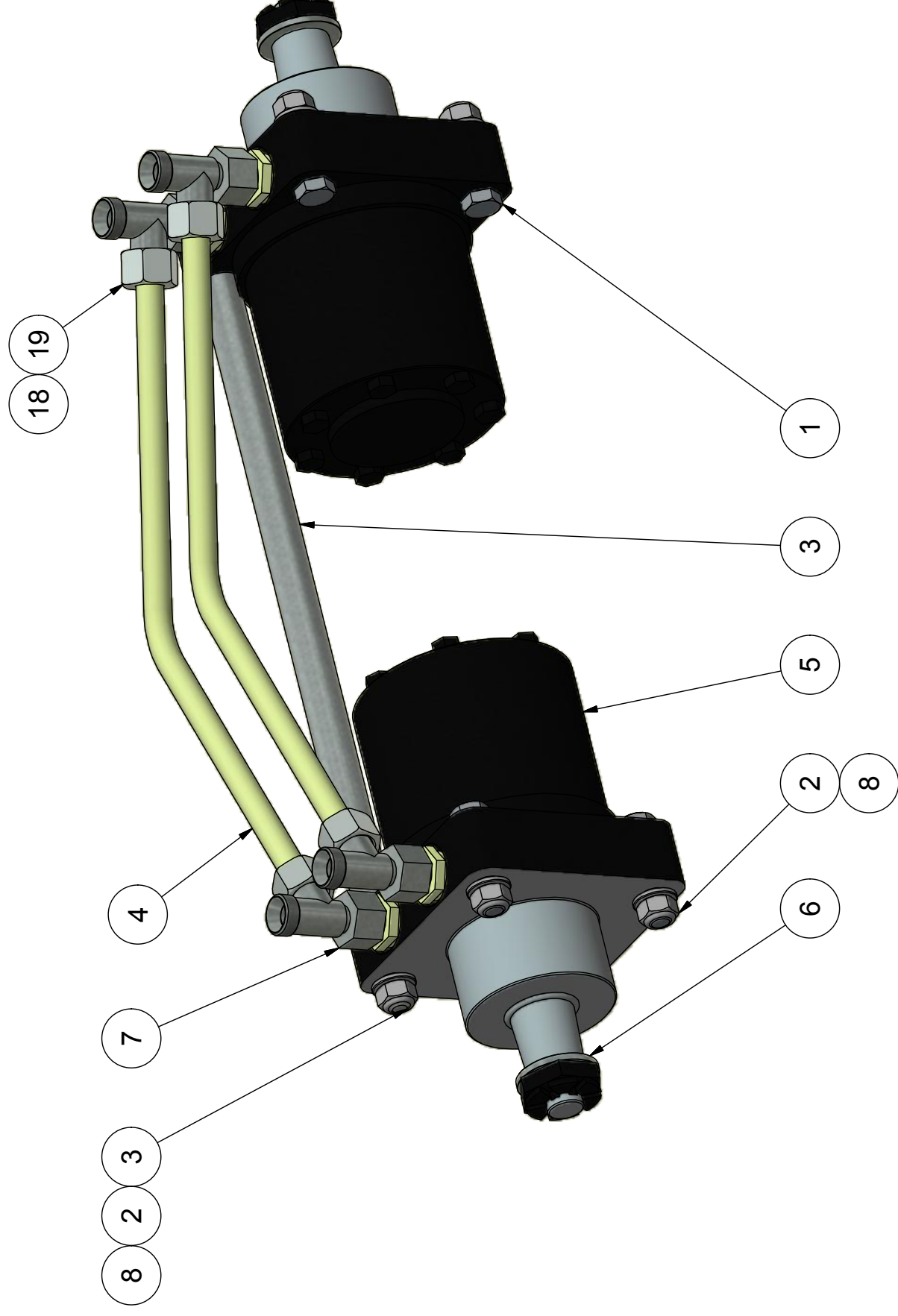
HG HEDENSTED GRUPPEN		Scale: 1 : 1	Not specified tolerance according to: DS/ISO 2768-m	Sheet size: A3
Part No.: M102038			Surface properties: No	Sheet: 1 / 1
Description 1: Assembly bearing for handle		Description 2:		

Revision:	Approved	Date:	Revision Description
1	SK	03-05-2016	Made

This document is strictly confidential and must not be
 account be copied or disclosed to any third person.
 HEDENSTED GRUPPEN A/S

PARTS LIST

ITEM	QTY	PART NUMBER	DESCRIPTION
1	6	11412055	Hexagon bolt M12x55 FZB
2	7	17912000	Self-locking nut M12 FZB
3	1	423442	Pipe for wheel motor
4	2	423472	Hydraulic pipe for motor
5	2	423519	Wheel motor 347ccm Eaton delta
6	2	423545	Washer f/OMRW 45x20,5x4 FZB
18	4	424118	Cutting ring Ø15L
19	4	424122	Union Ø15L M22x1,5
7	4	477072	Tee Adjustable Ø15L x Ø15L x Ø15L (M/F/F)
8	8	82112000	Washer M12 FZB



Break all edges

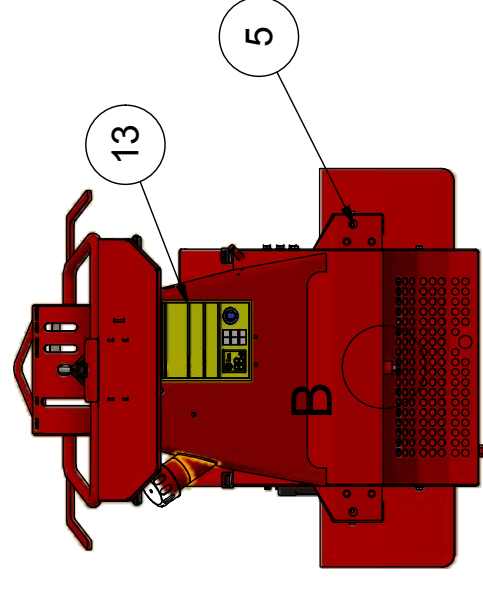
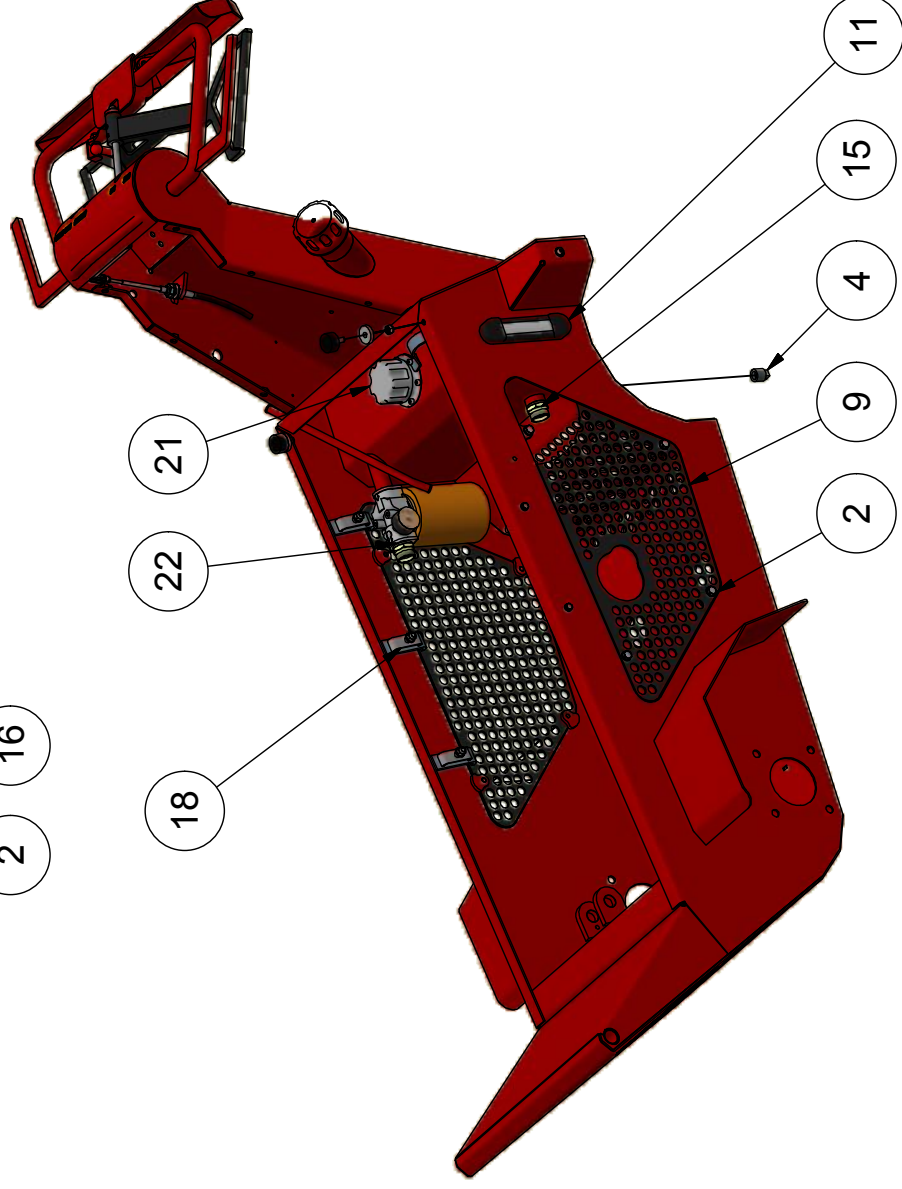
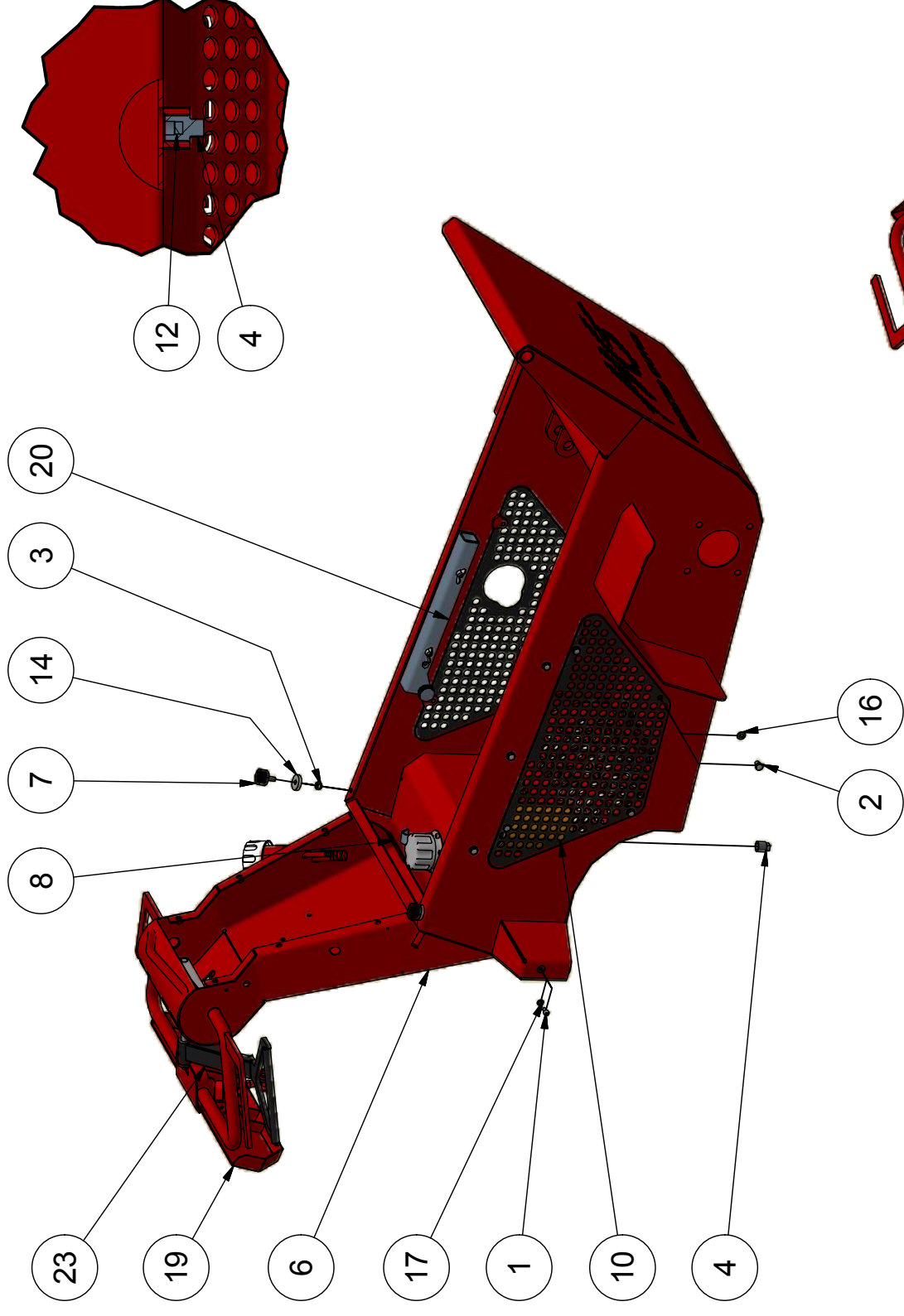
 HEDENSTED GRUPPEN	Scale:	1 : 3	Not specified tolerance according to:	DS/ISO 2768-m	Sheet size:	A3
					Sheet:	1 / 1
Part No.:	M102490	Material:		No		
Description 1:	Wheel motor assembly					
Description 2:	SS hydra					

Revision: Approved Date: Revision Description

1 HG 09-01-2017 Made

PARTS LIST

ITEM	QTY	PART NUMBER	DESCRIPTION
1	2	10206012	Hexagon cylinder head M6x12 FZB
2	8	11408012	Hexagon bolt M8x12 FZB
3	2	17908000	Self-locking nut M8 FZB
4	1	413038	Plug black 1/2", GF
5	2	423068	Grease nipple M6 straight
6	1	423402	Assembly frame
7	2	423422	Vibration absorber Ø30x15 - M8
8	0,9 m	423431	Edge protection strip
9	1	423434	Ventilation plate Left
10	1	423456	Ventilation plate right
11	1	423460	Oil level indicator
12	1	423475	Magnet Premax 302 ø12,5 x 10mm.
13	1	423477	Warning logo DK
14	2	423484	Spacer for rubber
15	1	477126	Straight connector w. gasket Ø22L x 3/4"
16	8	82108000	Washer M8 FZB
17	2	84506000	Spring washer M6 FZB
18	3	M102402	Hose clamp
19	1	M102403	Bumper assembly
20	1	M102405	Safety Clamp
21	1	M12105	Filler neck assembly
22	1	M12106	Oil filter assembly
23	1	M12107	Trottel grip assembly



Break all edges

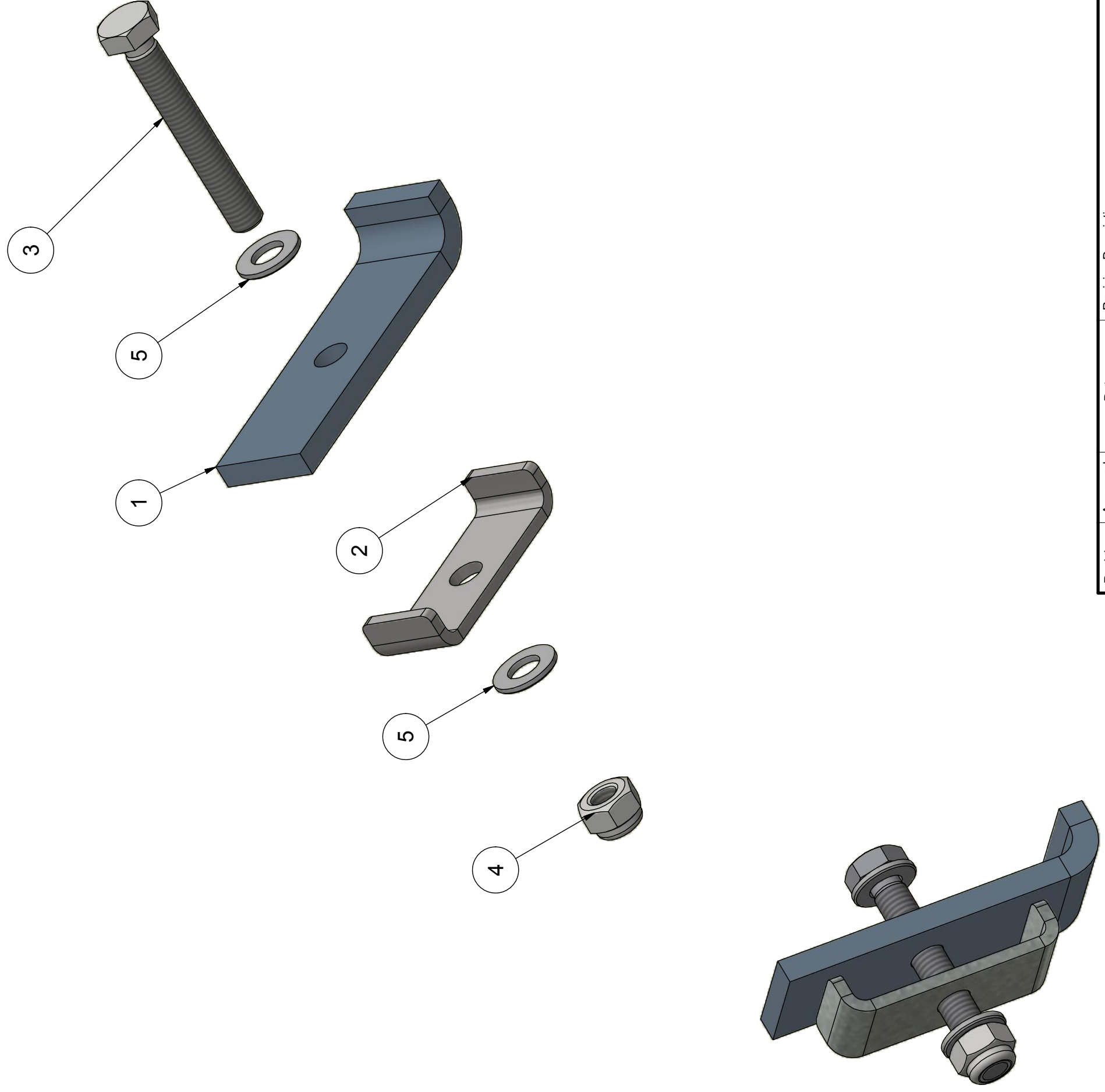
<p>HEDDENSTED GRUPPEN</p> <p>Part No.: M102503</p> <p>Description 1: Assembly frame 2</p> <p>Description 2: Super skub Hydra 1026</p>	<p>Scale: 1 : 50</p>	<p>Not specified tolerance according to: DS/ISO 2768-m</p>	<p>Sheet size: A3</p>
	<p>Material: M102503</p>	<p>Surface properties: No</p>	<p>Sheet: 1 / 1</p>

Revision: Approved Date: Revision Description

1 KL 08-02-2016 Made

PARTS LIST

ITEM	QTY	PART NUMBER	DESCRIPTION
1	1	423418	Hydraulic hose clamp
2	1	423513	Clamp for hyd tube
3	1	11408055	Hexagon bolt M8x55 FZB
4	1	17908000	Self-locking nut M8 FZB
5	2	82108000	Washer M8 FZB



Break all edges

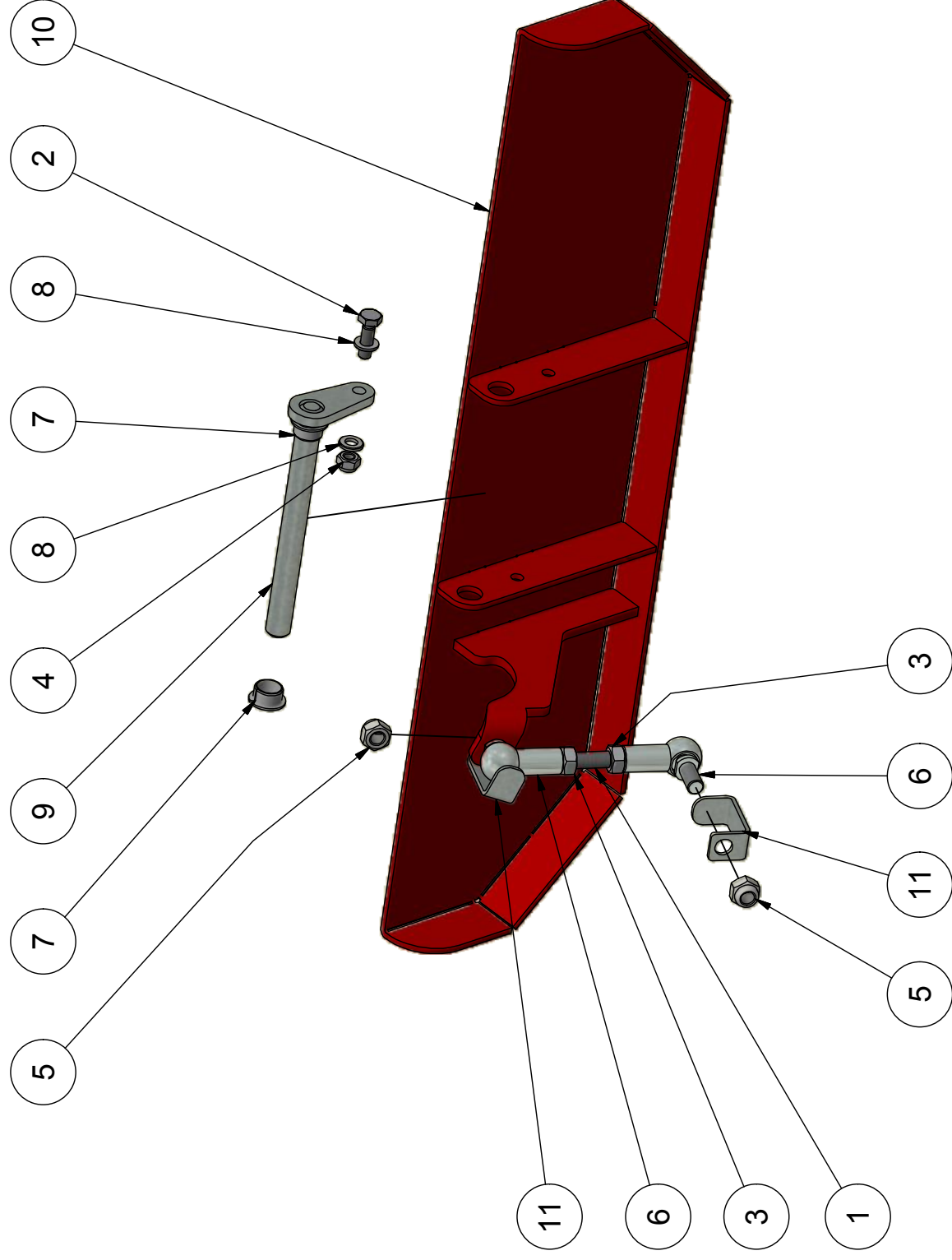
HG HEDENSTED GRUPPEN		Scale: 1:1	Not specified tolerance according to: DS/ISO 2768-m	Sheet size: A3
Part No.: M102402		Material: No	Surface properties: No	Sheet: 1/1
Description 1: Hose clamp		Description 2:		

Revision:	Approved	Date:	Revision Description
1	SK	2016-09-21	Made

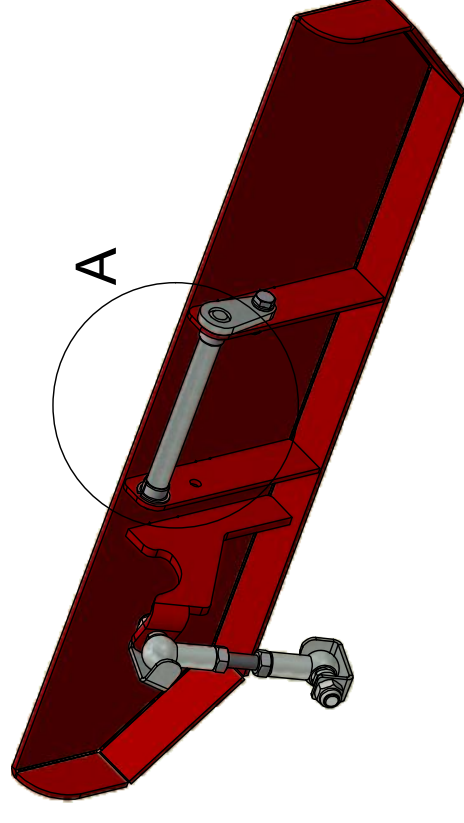
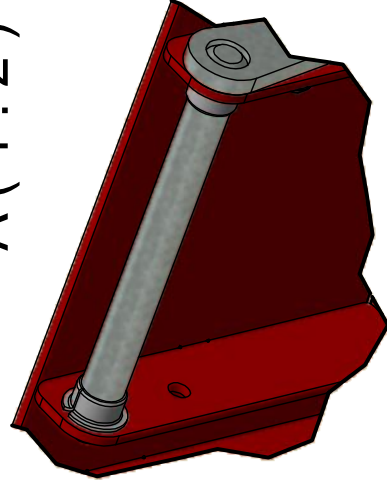
This document is strictly confidential and must not be
 account be copied or disclosed to any third person.
 HEDENSTED GRUPPEN A/S

PARTS LIST

ITEM	QTY	PART NUMBER	DESCRIPTION
1	1	10508050	Stop screw M8x50-B
2	1	11406020	Hexagon bolt M6x20 FZB
3	2	1508000	Nut M8 FZB
4	1	17906000	Self-locking nut M6 FZB
5	2	17908000	Self-locking nut M8 FZB
6	2	415042	Ball angle joint AS13 M8
7	2	423423	Slide bushing Ø12xØ14x7
8	2	82106000	Washer M6 FZB
9	1	M100501	Lock rod assembly
10	1	M100503	Bumper assembly
11	2	M100507	Ball lock



A (1:2)



Break all edges



HEDENSTED GRUPPEN A/S
 This document is strictly confidential and must not be
 account be copied or disclosed to any third person.

Scale:	1 : 4	Not specified tolerance according to:	DS/ISO 2768-m	Sheet size:	A3
		Surface properties:	No	Sheet:	1 / 1

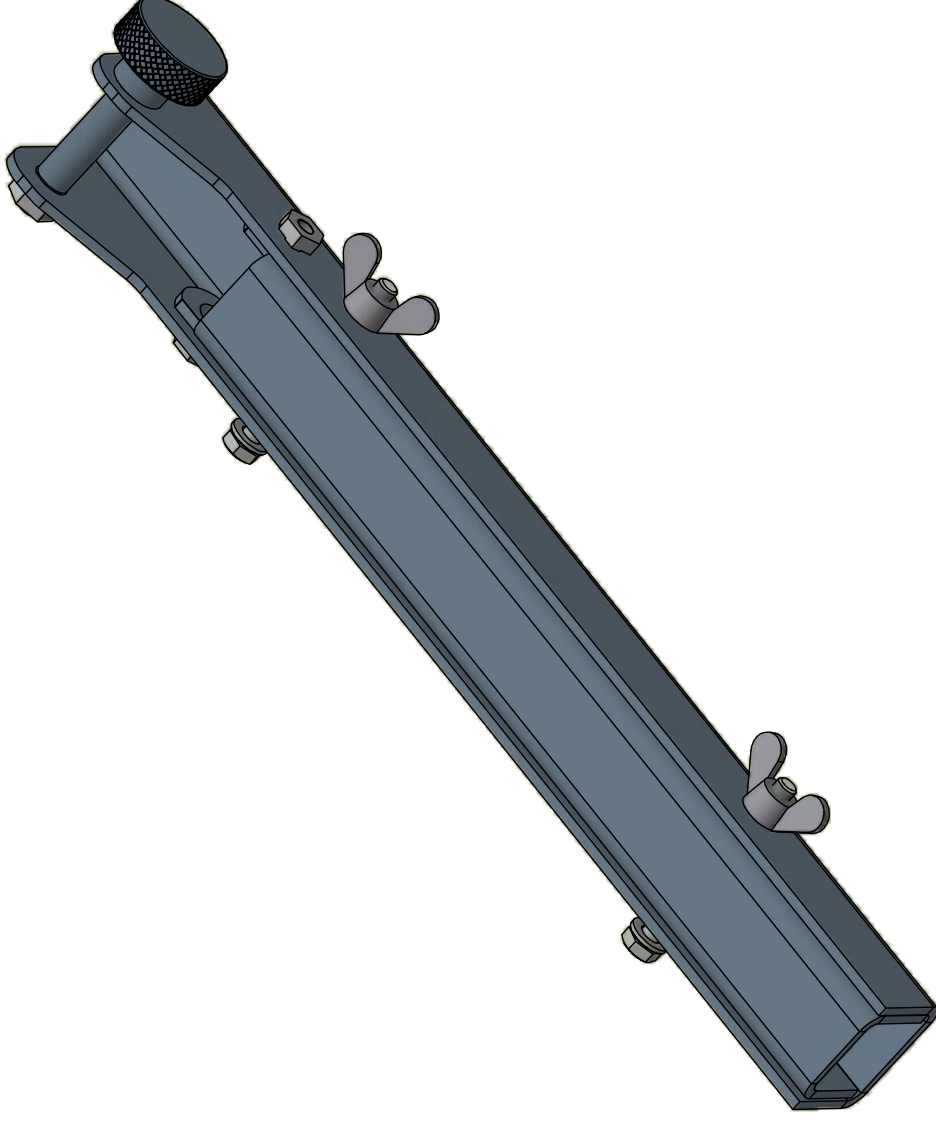
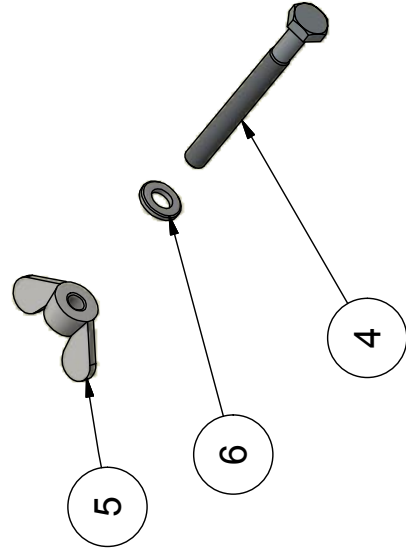
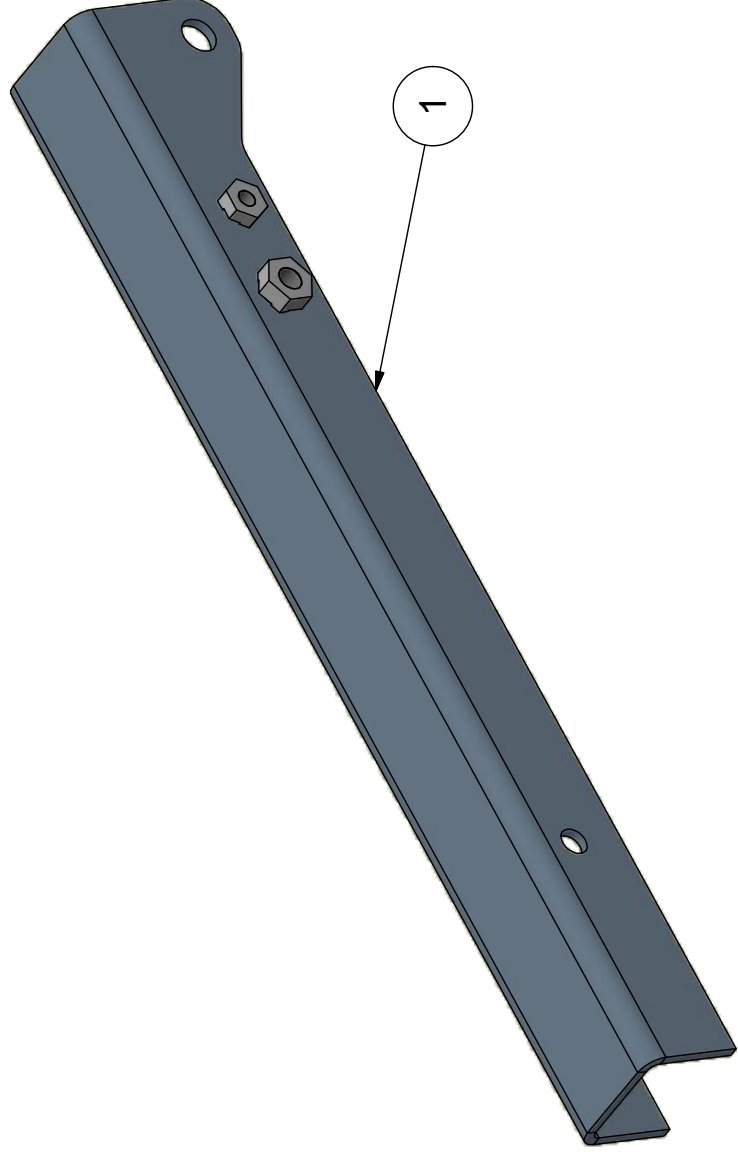
Part No.:	M102403
Description 1:	Bumper assembly
Description 2:	Super skub Hydra

Revision: Approved Date: 21-09-2016 Revision Description

1 SK 21-09-2016 Made

PARTS LIST

ITEM	QTY	PART NUMBER	DESCRIPTION
1	1	43322	Safety clamp, outer part
2	1	43324	Fingerscrew with knurling
3	1	43329	Safety clamp, inner part
4	2	11406060	Hexagon bolt M6x60 FZB
5	2	19806000	Wing nut M6 FZB
6	2	82106000	Washer M6 FZB



Break all edges

HEDENSTED GRUPPEN A/S
 This document is strictly confidential and must not be
 account be copied or disclosed to any third person.



Part No.: M102405

Description 1: Safety Clamp

Description 2:

Scale: 1 : 2

Not specified tolerance according to:

DS/ISO 2768-m

Surface properties:

No

Sheet size:

A3

Sheet:

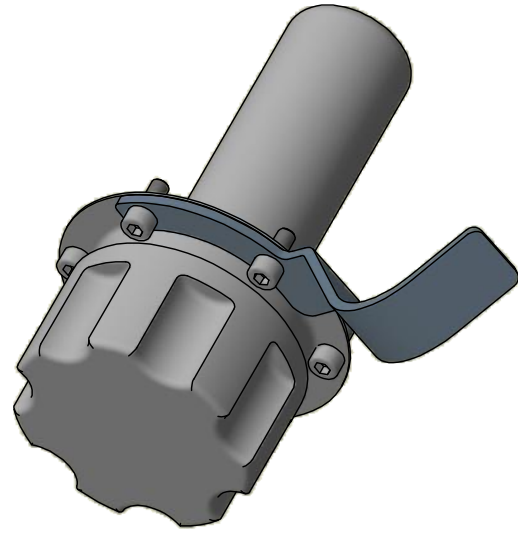
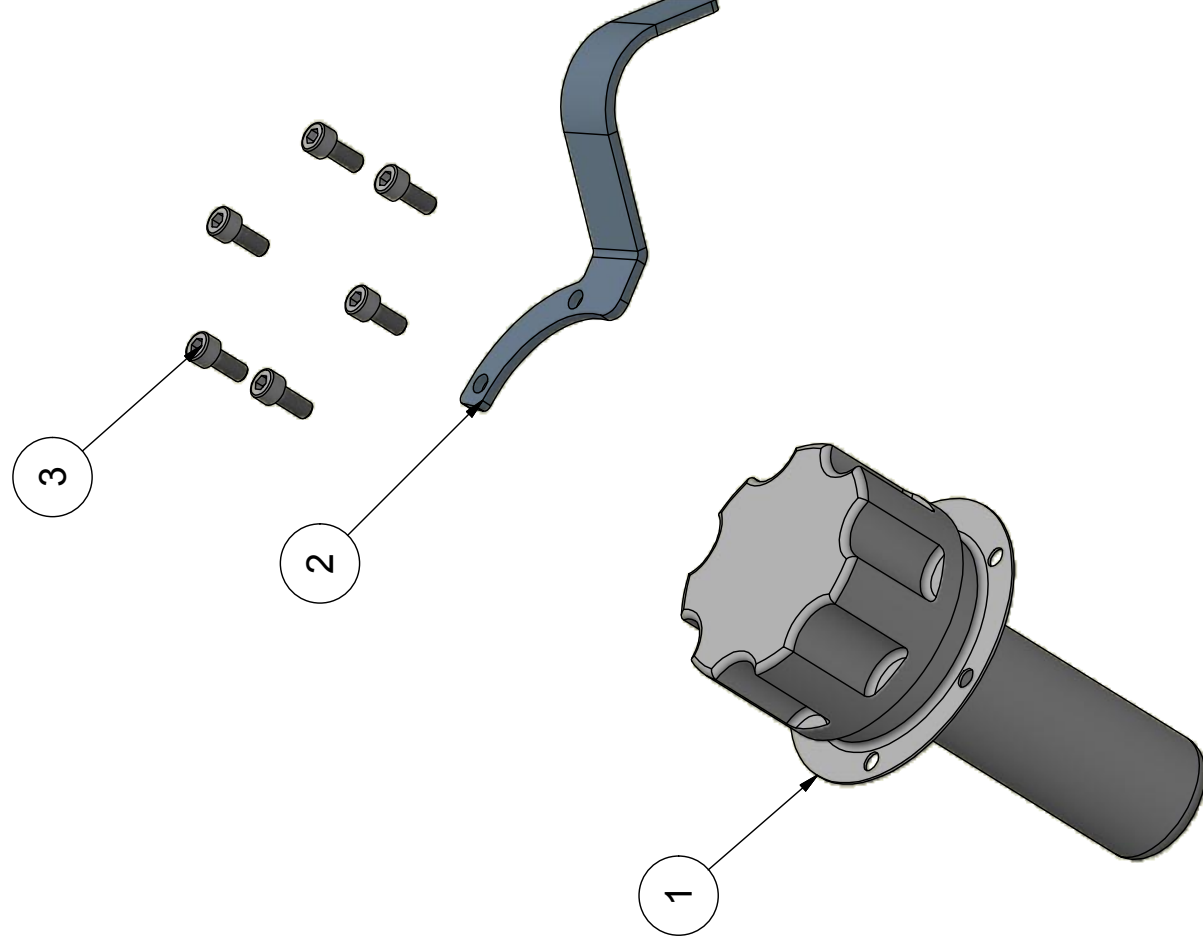
1 / 1

Revision: Approved Date: 2016-09-21 Revision Description

1 SK 2016-09-21 Made

PARTS LIST

ITEM	QTY	PART NUMBER	DESCRIPTION
1	1	423459	Fillerneck HB70 with filter
2	1	43349	Bracket for petrol hose
3	6	10205012	Hexagon cylinder head M5x12 FZB



Break all edges

This document is strictly confidential and must not be
 account be copied or disclosed to any third person.
 HE DENSTED GRUPPEN A/S



Part No.: M12105

Description 1: Filler neck assembly

Description 2:

Scale: 1:2

Not specified tolerance according to: DS/ISO 2768-m

Surface properties: No

Material:

Sheet size: A3

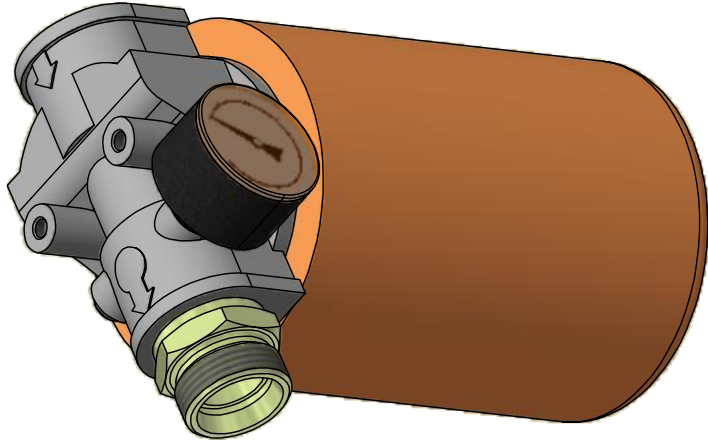
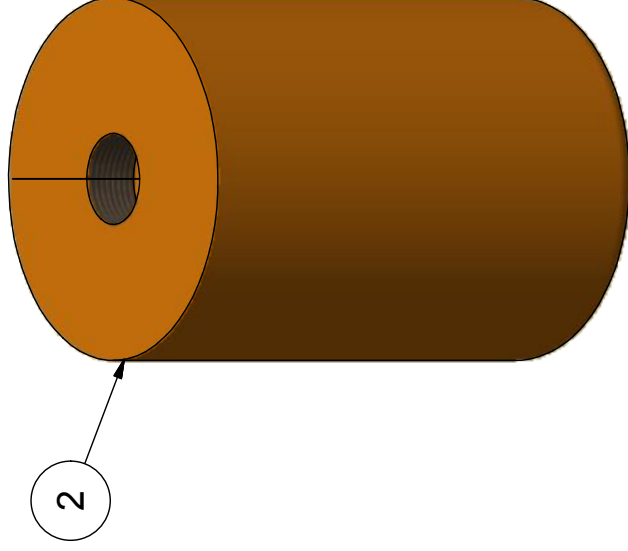
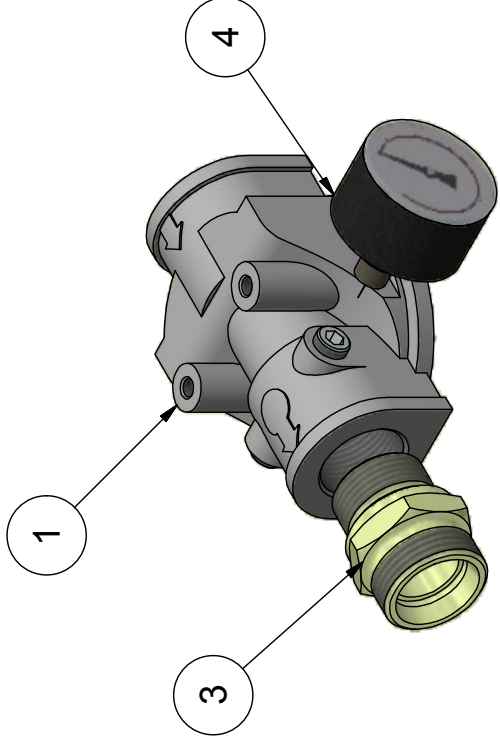
Sheet: 1/1

Revision: Approved Date: 2016-09-22 Revision Description

1 SK 2016-09-22 Made

PARTS LIST

ITEM	QTY	PART NUMBER	DESCRIPTION
1	1	423556	Filter head
2	1	423558	MP Oil filter
3	1	477126	Straight connector w. gasket Ø22L x 3/4"
4	1	423560	VS Vakuummeter Axial 0-76 CMHG



Break all edges

This document is strictly confidential and must not be
 account be copied or disclosed to any third person.
 HEDENSTED GRUPPEN A/S



Scale: 1 : 2
 Not specified tolerance according to: DS/ISO 2768-m
 Surface properties: No

Sheet size: A3
 Sheet: 1 / 1

Part No.: M12106

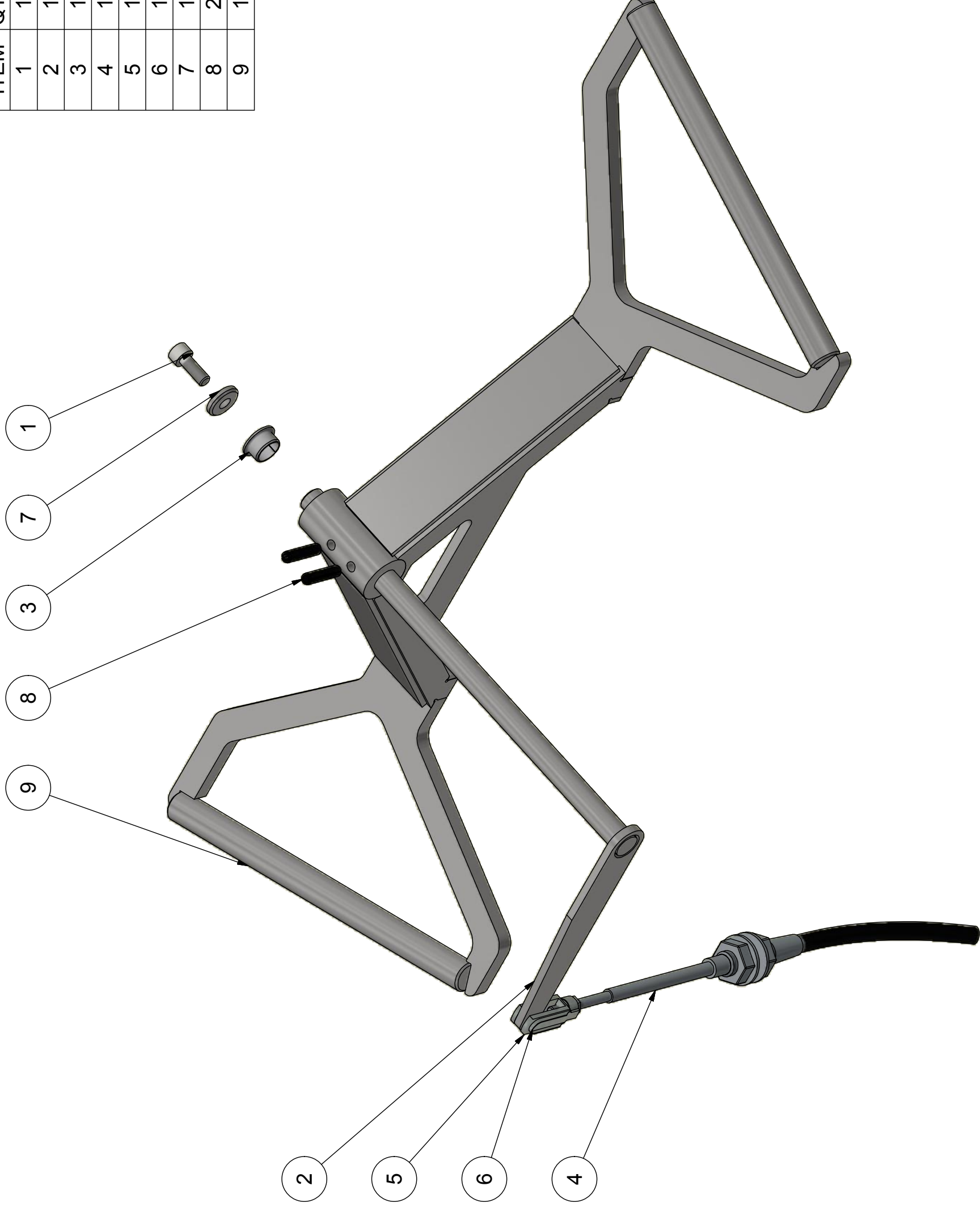
Description 1: Oil filter assembly

Description 2:



Revision:	Approved	Date:	Revision Description
1	SK	22-09-2016	Made

PARTS LIST

ITEM	QTY	PART NUMBER	DESCRIPTION
1	1	10206016	Hexagon cylinder head M6x16 FZB
2	1	423408	Shaft for handle
3	1	423423	Slide bushing Ø12xØ14x7
4	1	423430	Sterring cable, HG Super skub
5	1	423432	F-Bracket for cable G5x20
6	1	423443	Clips for F-joint
7	1	87606000	Washer Ø6,4x17x3 FZB
8	2	89505022	Pin slotted Ø5x22
9	1	M100499	Trottel grip



Break all edges

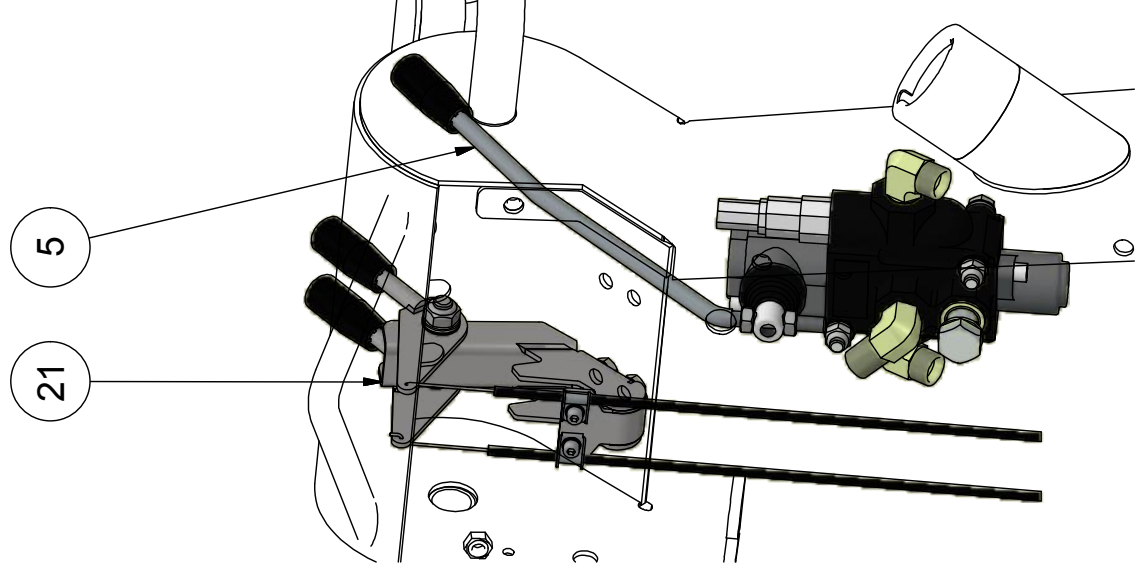
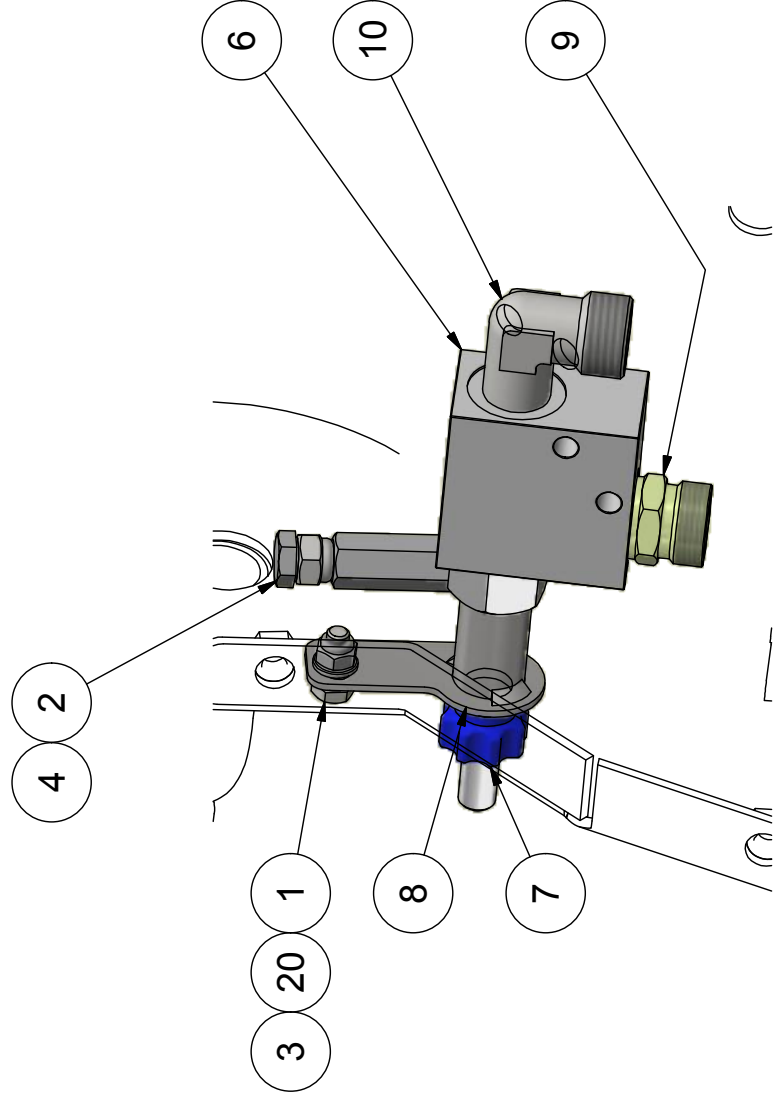
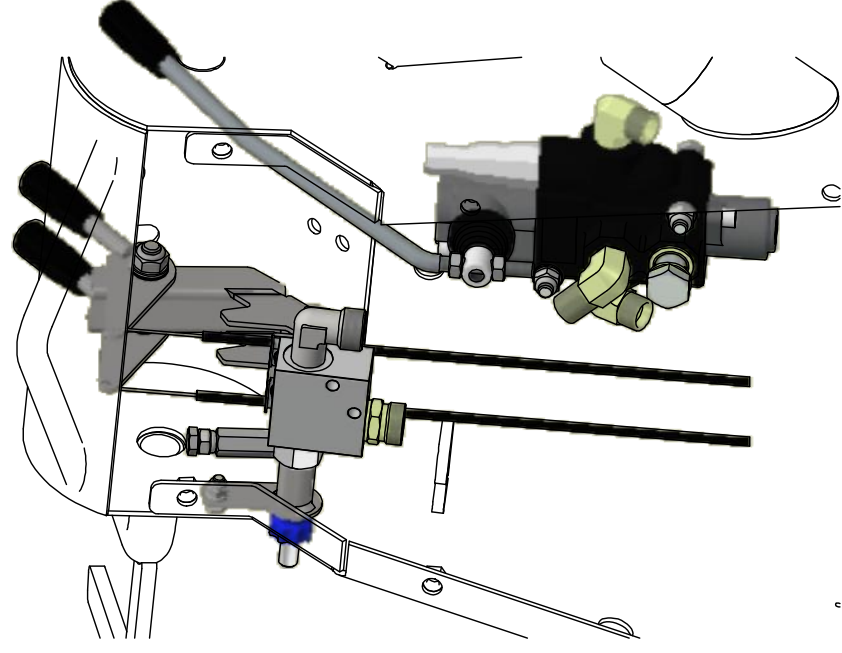
 HEDENSTED GRUPPEN	Scale: 1:2	Not specified tolerance according to: DS/ISO 2768-m	Sheet size: A3
	 Material: M12107	Surface properties: No	Sheet: 1/1
Part No.: M12107			
Description 1: Trottel grip assembly			
Description 2:			

This document is strictly confidential and must not be accounted for, copied or disclosed to any third person.
 HEDENSTED GRUPPEN A/S

Revision:	Approved	Date:	Revision Description
1	SK	09-11-2016	Made

PARTS LIST

ITEM	QTY	PART NUMBER	DESCRIPTION
1	1	11406016	Hexagon bolt M6x16 FZB
2	1	11408035	Hexagon bolt M8x35 FZB
3	1	17906000	Self-locking nut M6 FZB
4	1	17908000	Self-locking nut M8 FZB
5	1	422663	Tilt valve assembly 2014
6	1	423570	Alu valveblock pipe mounted
7	1	423572	Valve, cartridge 12v DC 2 way with override
8	1	423584	Bracket for valve
9	1	477117	Straight connector w. gasket Ø15L x 3/8"
10	1	477146	Elbow 3/8"t x Ø15L
11	1	477246	Hyd. hose 1/2"x580mm No.56
12	1	477251	Hydr.hose 1/2"x500mm. No.55
13	1	477252	Hydr.hose 3/8"x1620mm No.51
14	1	477254	Hydr.hose 3/8"x1450mm No.54
15	2	477255	Hydr.hose 1/2"x1700mm.
16	1	477259	Hydr.hose 3/4"x870mm. No.59
17	1	477261	Hydr.hose 3/4"x800mm.No.60
18	1	477263	Hydr.hose 3/8"x1850mm. No.53
19	1	477266	Hydr.hose 3/8"x2530mm.No.52
20	1	82106000	Washer M6 FZB
21	1	M102486	Throttle/choke assembly



Break all edges

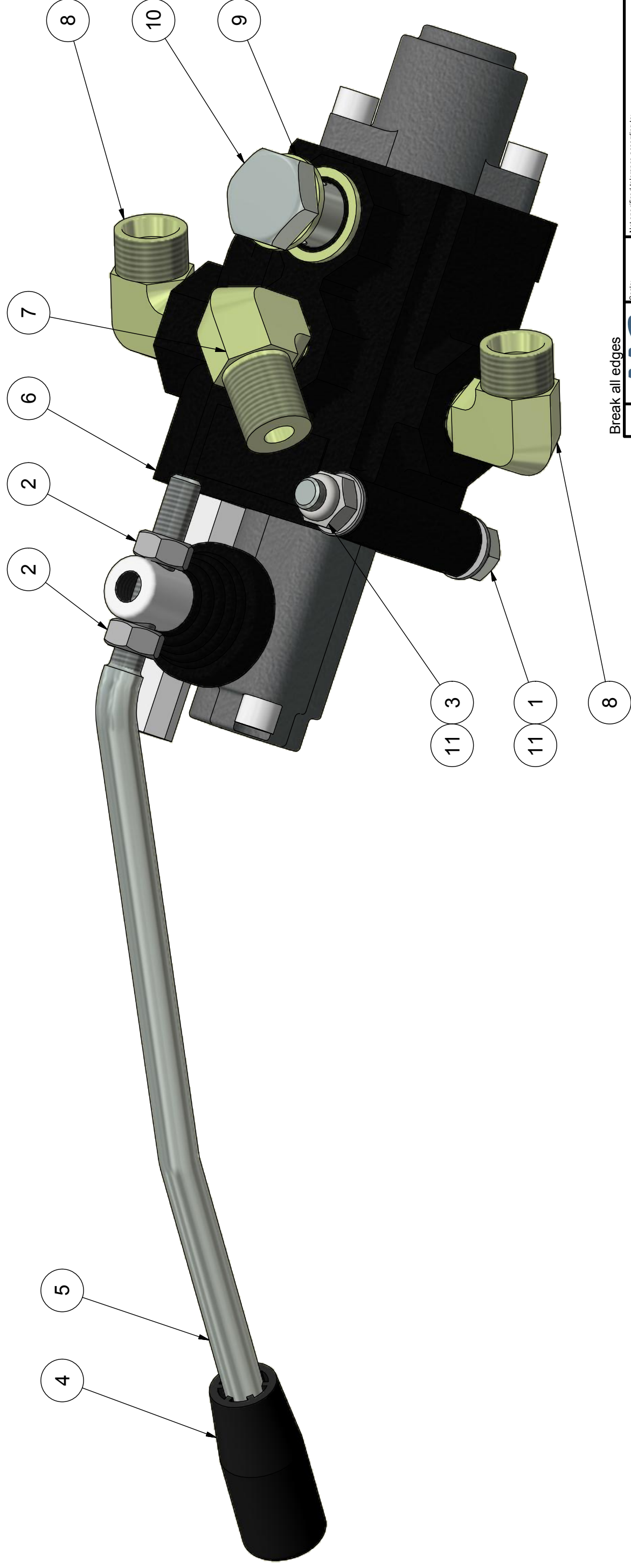
 HEDENSTED GRUPPEN <small>HEDENSTED GRUPPEN A/S</small>	Scale: 1 : 4	Not specified tolerance according to: DS/ISO 2768-m	Sheet size: A3
	 Material: M102504	Surface properties: No	Sheet: 1 / 1
Description 1: Valves assembly S.S 2016			
Description 2:			

Revision: Approved Date: 08-02-2016 Revision Description: Made

1 KL 08-02-2016 Made

PARTS LIST

ITEM	QTY	PART NUMBER	DESCRIPTION
1	2	11408065	Hexagon bolt M8x65 FZB
2	2	1508000	Nut M8 FZB
3	2	17908000	Self-locking nut M8 FZB
4	1	423424	Handle, Ø21 cylindrical knob Ø10
5	1	423522	Handle for tilt valve
6	1	423526	Hydraulic tilt valve
7	1	477105	Elbow 3/8"t x 3/8"t (M/M)
8	2	477139	Elbow 3/8"t x Ø12L
9	2	477163	Bopnded seal washer 3/8"
10	1	477222	Banjo bolt 3/8"
11	4	82108000	Washer M8 FZB



Break all edges

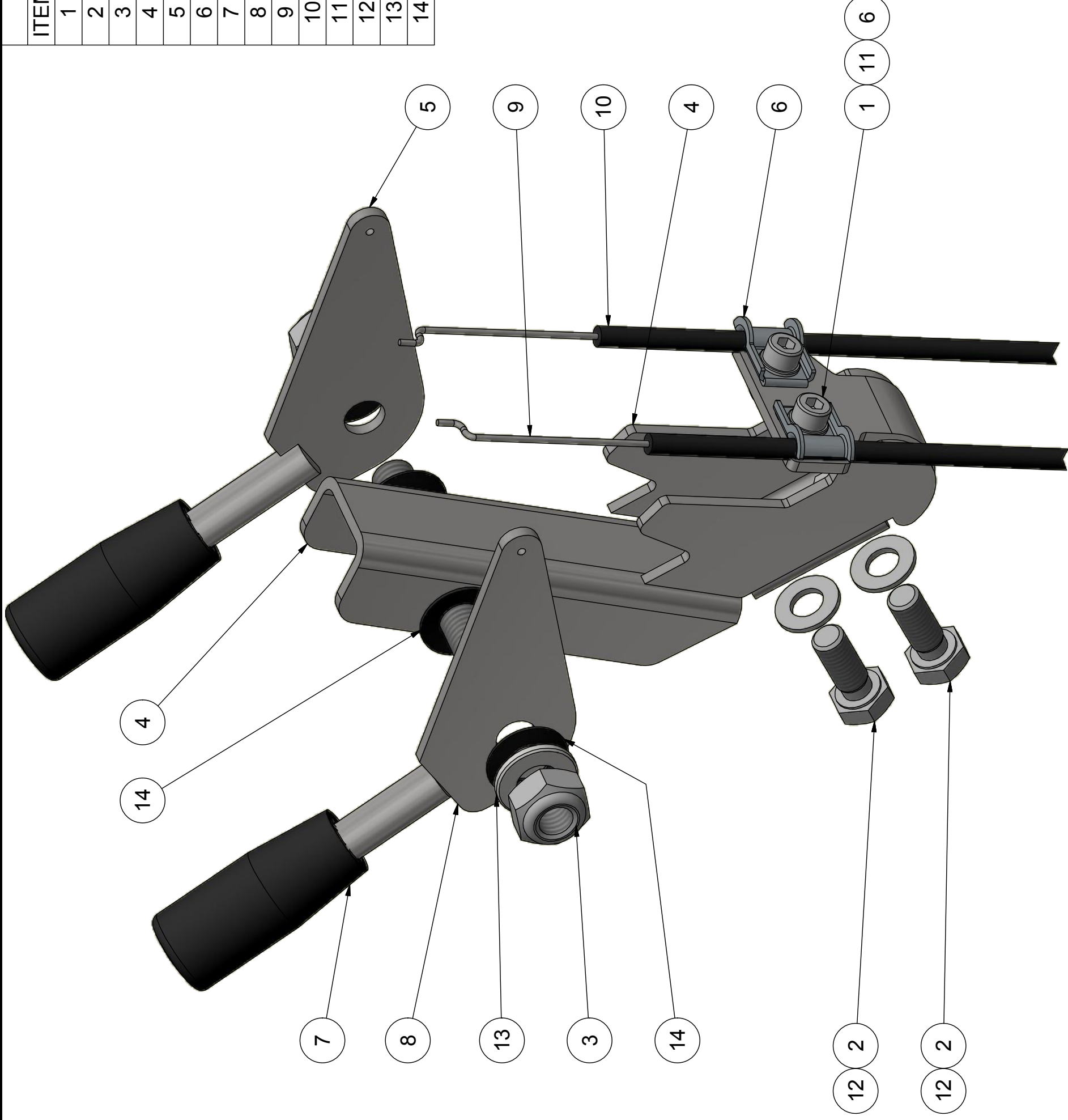
 HEDENSTED GRUPPEN	Scale:	1:1	Not specified tolerance according to:	DS/ISO 2768-m	Sheet size:	A3
				Surface properties:	No	Sheet:
Part No.:		422663		Material:		
Description 1:		Tilt valve assembly 2014		Description 2:		Hydra combi + SS

Revision: Approved Date: 27-09-2015

1 HG Revision changed to numeric

Parts List

ITEM	QTY	PART NUMBER	DESCRIPTION
1	2	10205012	Hexagon cylinder head M5x12 FZB
2	2	11408020	Hexagon bolt M8x20 FZB
3	2	17910000	Self-locking nut M10 FZB
4	1	423412	Brace for throttle and choke
5	1	423413	Gas choke handle right
6	2	423419	Cable clamp
7	2	423424	Handle, Ø21 cylindrical knob Ø10
8	1	423426	Gas/choke handle left
9	1	423429	Gas cable S.S. Hydra.
10	1	423437	Choker cable S.S. Hydra.
11	2	82105900	Washer M5 FZB
12	2	82108000	Washer M8 FZB
13	2	82110000	Washer M10 FZB
14	4	89310080	Disc spring 20x10,5x0,8



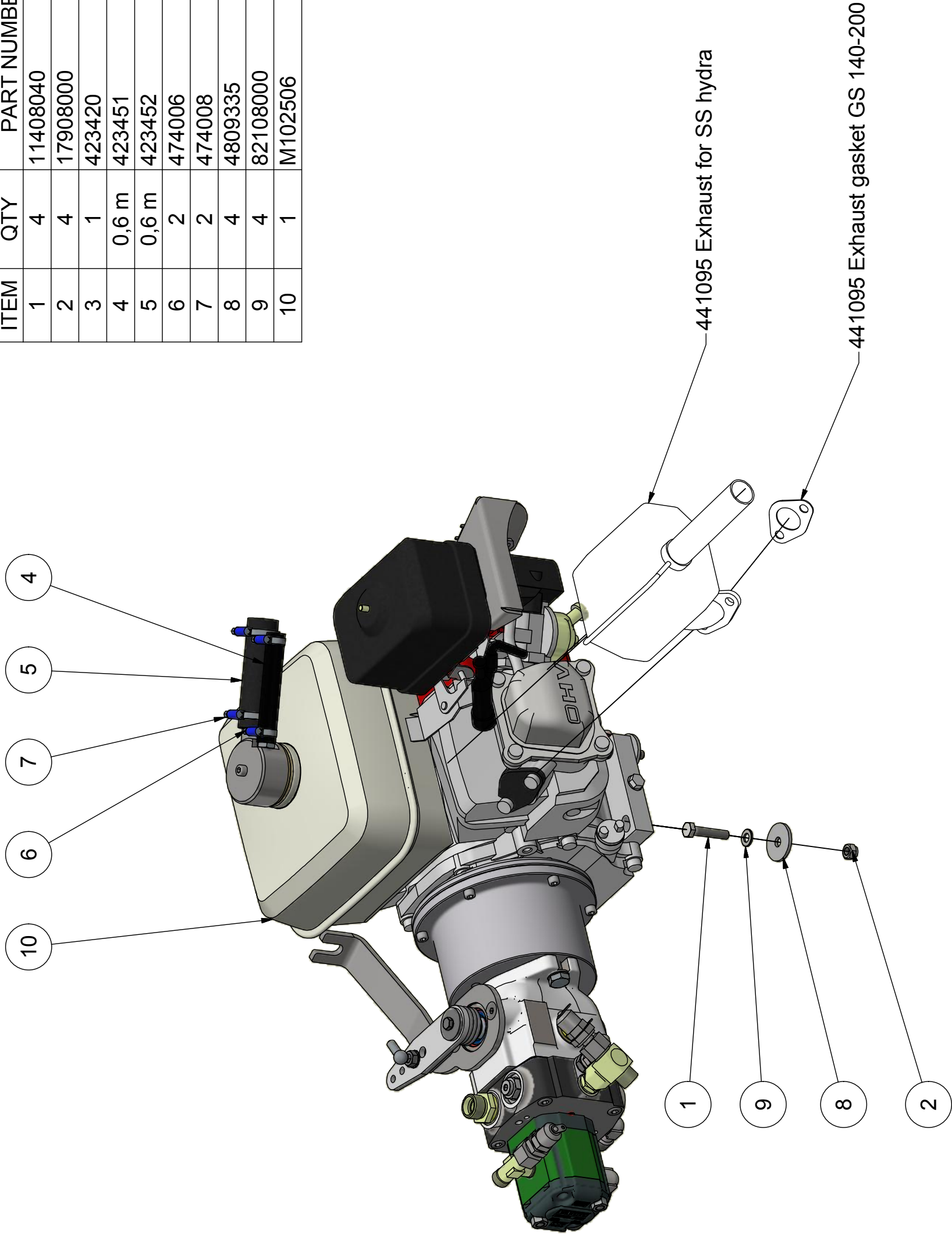
Break all edges

 HEDENSTED GRUPPEN	Scale: 1:1	Not specified tolerance according to: DS/ISO 2768-m	Sheet size: A3
	 Material: M102486	Surface properties:	Sheet: 1/1
HEDENSTED GRUPPEN A/S			
Part No.: M102486			
Description 1: Throttle/choke assembly			
Description 2: SS hydra			

Revision:	Approved	Date:	Revision Description
1	HG	05-01-2017	Made

PARTS LIST

ITEM	QTY	PART NUMBER	DESCRIPTION
1	4	11408040	Hexagon bolt M8x40 FZB
2	4	17908000	Self-locking nut M8 FZB
3	1	423420	Pipe for exhaust
4	0,6 m	423451	Fuel hose hydro eco 10x3,5
5	0,6 m	423452	Fuel hose 19x6,0
6	2	474006	Hose clamp 11-16
7	2	474008	Hose clamp 22-30
8	4	4809335	Washer SRKB Ø9x35x3 FZB
9	4	82108000	Washer M8 FZB
10	1	M102506	Engine assembly 2 - TMP



441095 Exhaust for SS hydra

441095 Exhaust gasket GS 140-200

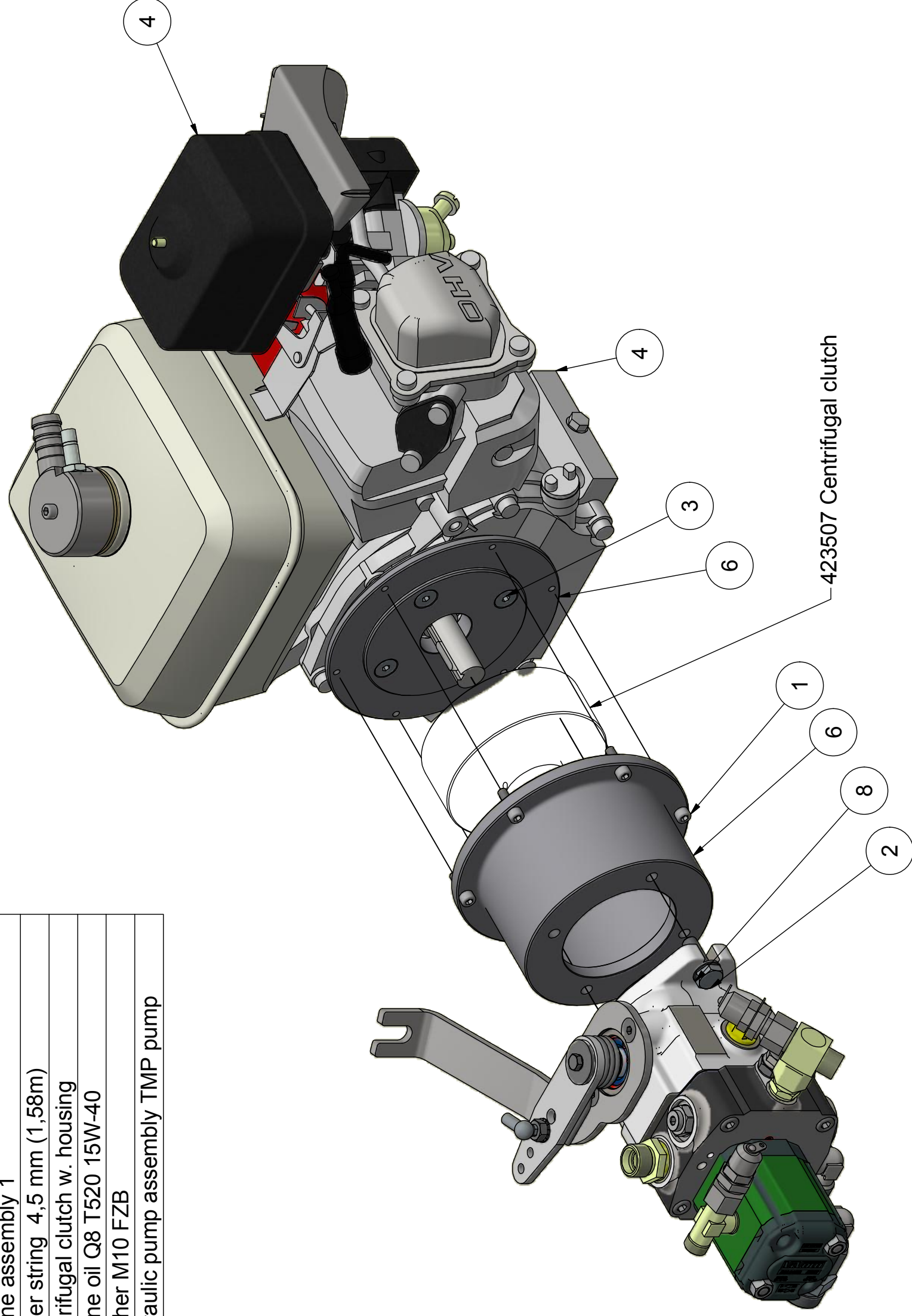
Break all edges

 HEDENSTED GRUPPEN		Scale:	1 : 4	Not specified tolerance according to:	DS/ISO 2768-m	Sheet size:	A3
		Material:	M102505	Surface properties:	No	Sheet:	1 / 1
HEDENSTED GRUPPEN A/S		Part No.:		Description 1:		Description 2:	
		M102505		Engine assembly 3 TMP			

Revision:	Approved	Date:	Revision Description
1	KL	08-02-2016	Made

PARTS LIST

ITEM	QTY	PART NUMBER	DESCRIPTION
1	6	10206020	Hexagon cylinder head M6x20 FZB
2	2	11410030	Hexagon bolt M10x30 FZB
3	4	20408025	Hexagon countersunk head M8x25 FZB
4	1	422659	Engine assembly 1
5	1,7 m	423470	Starter string 4,5 mm (1,58m)
6	1	423487	Centrifugal clutch w. housing
7	0,6 l	476705	Engine oil Q8 T520 15W-40
8	2	82110000	Washer M10 FZB
9	1	M102507	Hydraulic pump assembly TMP pump



Break all edges

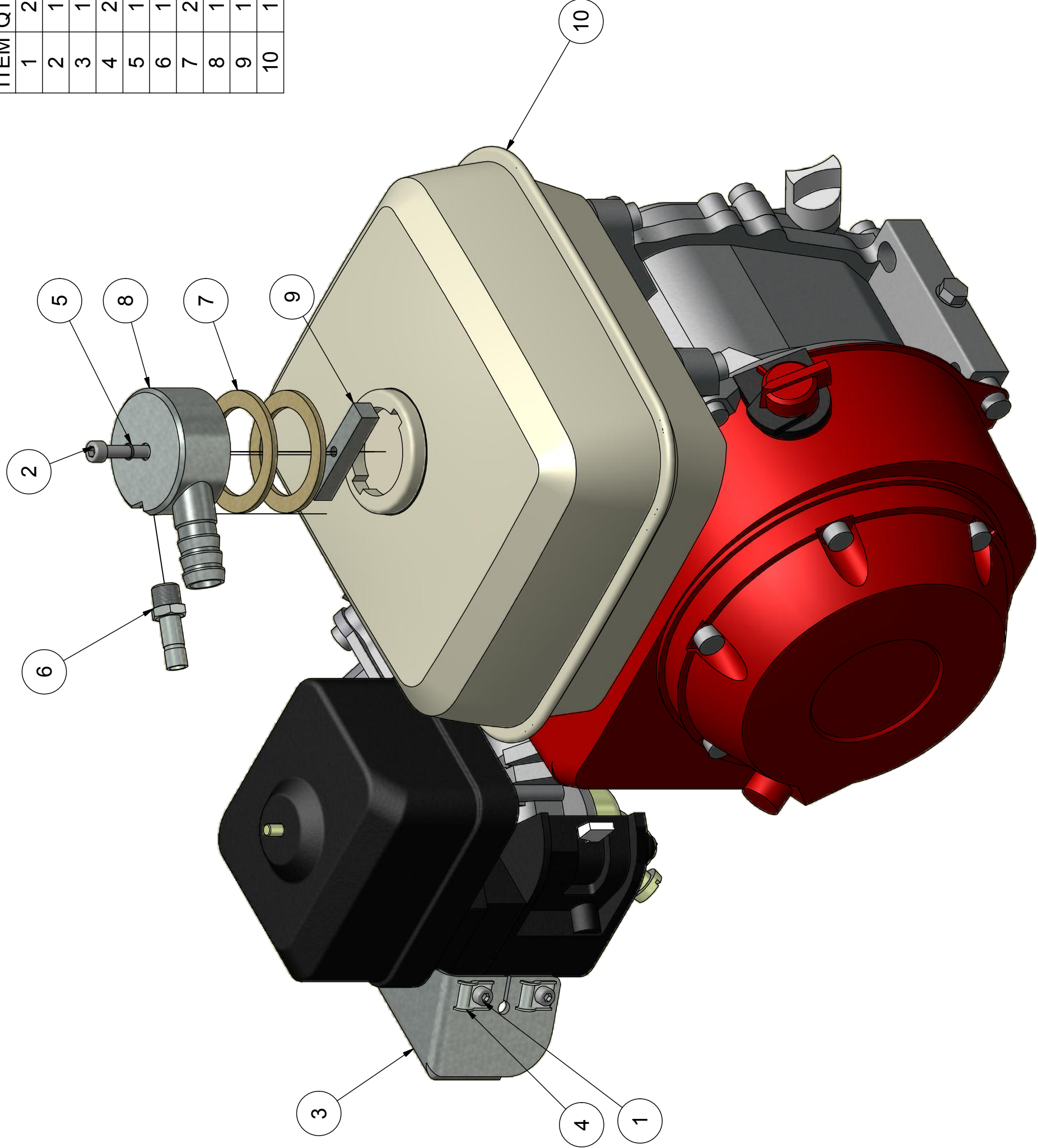
 HEDENSTED GRUPPEN	Scale:	1:3	Not specified tolerance according to:	DS/ISO 2768-m	Sheet size:	A3
					Sheet:	1 / 1
Part No.:	M102506	Material:		Surface properties:	No	
Description 1:	Engine assembly 2 - TMP					
Description 2:						

Revision: Approved Date: Revision Description



1 HG 08-02-2016 KL

PARTS LIST

ITEM	QTY	PART NUMBER	DESCRIPTION
1	2	10205010	Hexagon cylinder head M5x10 FZB
2	1	10206050	Hexagon cylinder head M6x50 FZB
3	1	423415	Throttle-Choke brace
4	2	423419	Cable clamp
5	1	423444	O-ring OR6,00-1,00
6	1	423446	Reduction stem Ø10 x 1/4" pipe Metal
7	2	423627	Gasket for fueltank
8	1	43356	External fuel cap
9	1	43359	Tension brace
10	1	441705	HONDA GX200UT SXE5 electrical start



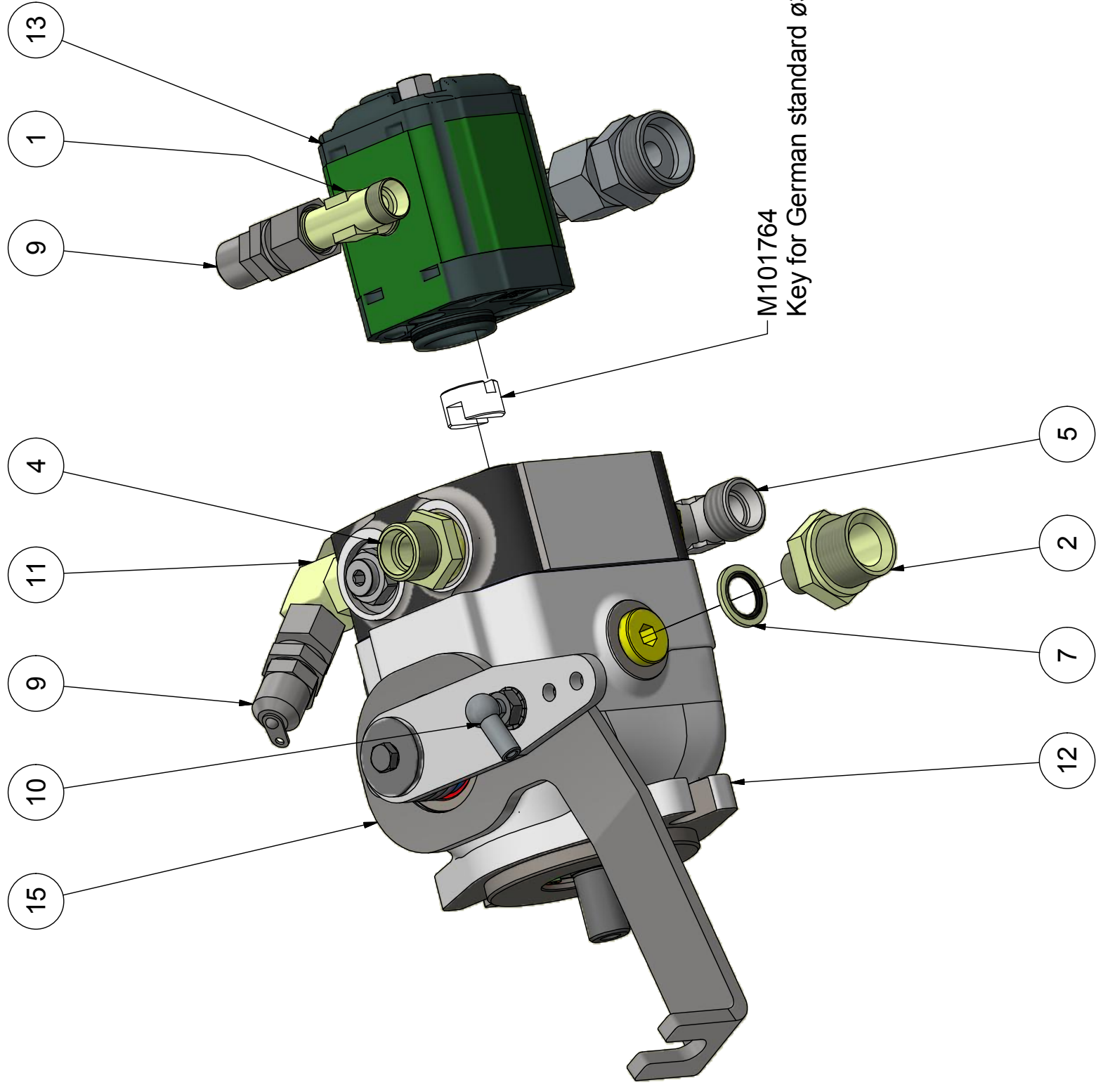
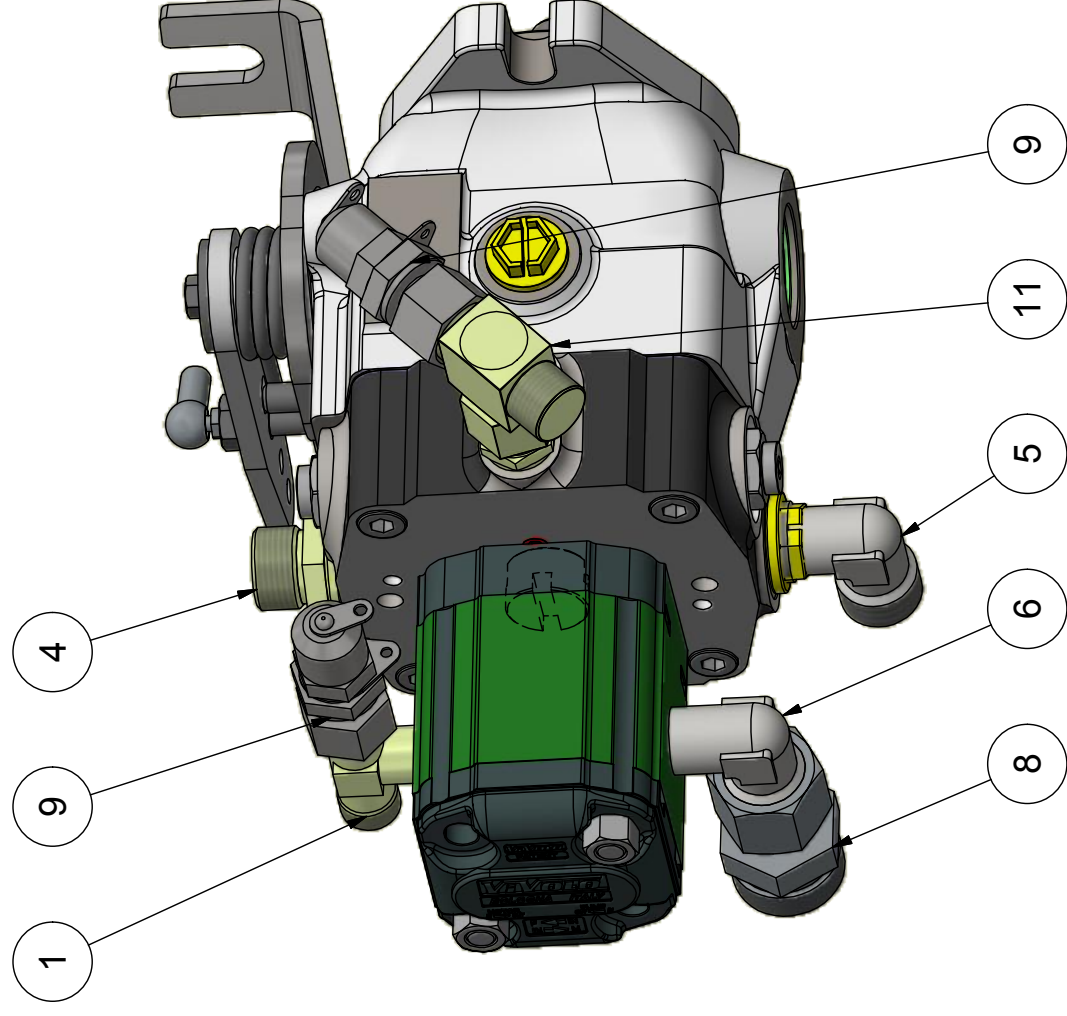
Break all edges

 HEDENSTED GRUPPEN	Scale: 1:2	Not specified tolerance according to: DS/ISO 2768-m	Sheet size: A3
		Surface properties: No	Sheet: 1/2
Part No.: 422659		Description 1: Engine assembly 1	
Description 2:		Description 2:	


Revision:	Approved	Date:	Revision Description
1	HG	27-09-2015	Revision changed to numeric

Parts List

ITEM	QTY	PART NUMBER	DESCRIPTION
1	1	424176	Tee 3/8"t x Ø12L x Ø12L (M/F/F)
2	1	477097	Straight connector w. gasket 3/8" x 3/4"
3	1	477110	Straight connector w. gasket Ø12L x 1/4"
4	1	477120	Straight connector w. gasket Ø15L 1/2"
5	1	477141	Elbow 1/2"t x Ø15L
6	1	477146	Elbow 3/8"t x Ø15L
7	1	477163	Bopnded seal washer 3/8"
8	1	477208	Reduction Ø15L w. o-ring Ø22L
9	2	477272	Test nipple w. o-ring Ø12L
10	1	489103	Ball angle joint AS08 M05
11	1	M101761	Tee adjustable Ø12L x Ø12L w. o-ring x Ø12L
12	1	M101762	Variable piston pump 13,6ccm
13	1	M101763	Gear pump 3,8ccm, German standard ø32
15	1	M101765	Brace for morse cable



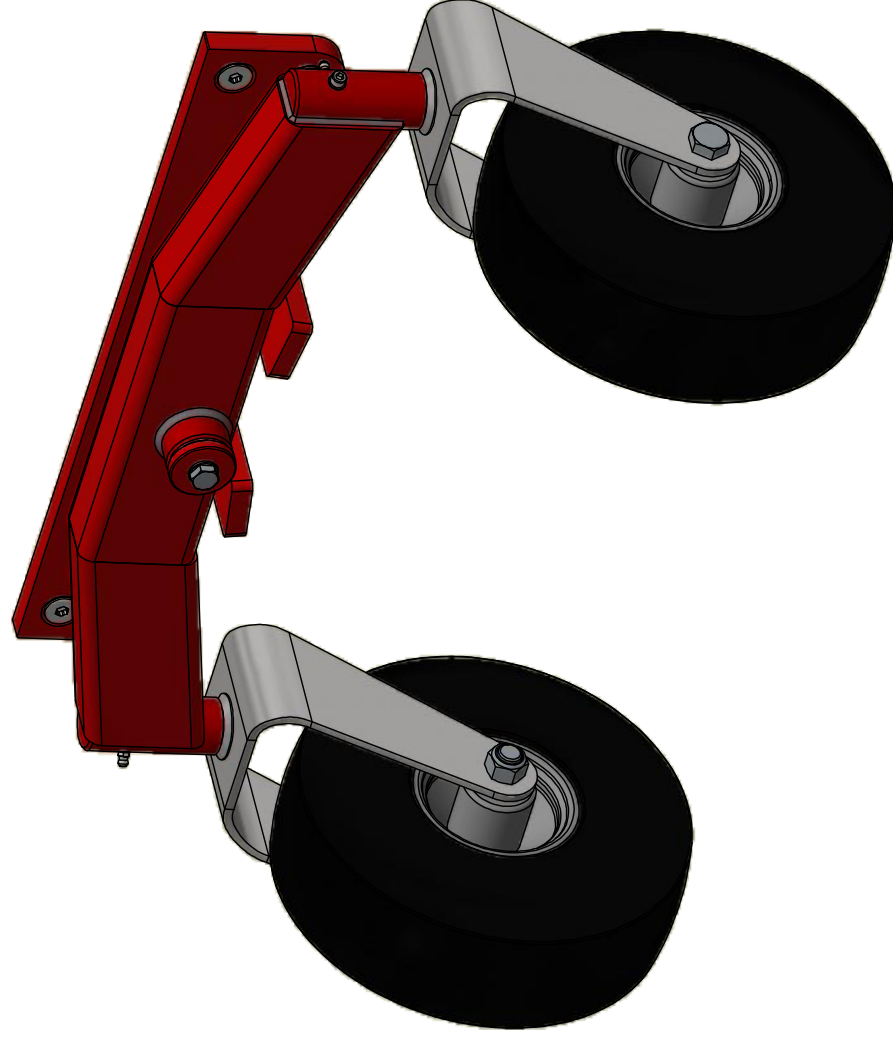
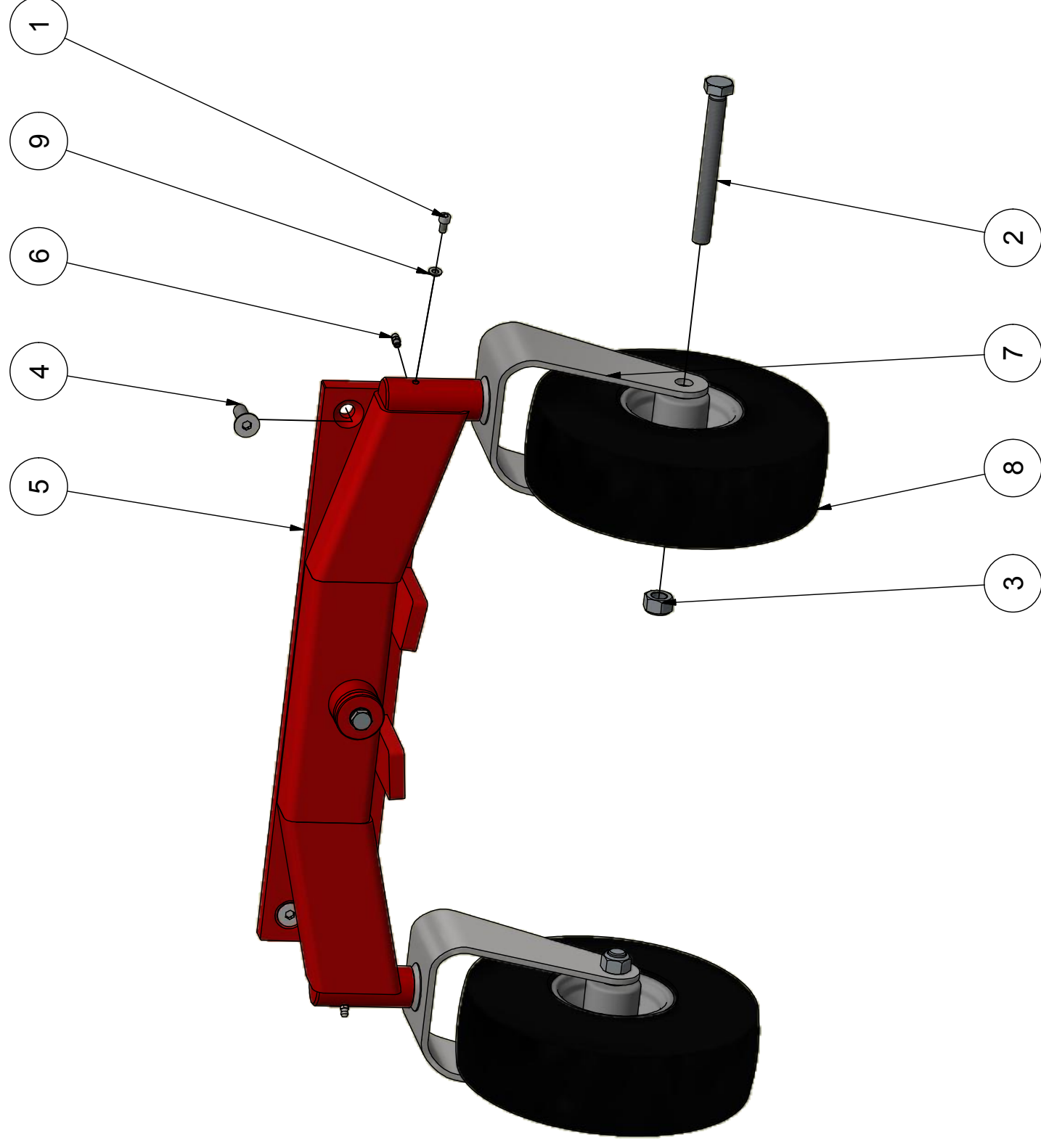
Break all edges

 HEDENSTED GRUPPEN <small>HEDENSTED GRUPPEN A/S</small>		Scale: 1 : 2 Not specified tolerance according to: DS/ISO 2768-m	Sheet size: A3
Part No.: M102507	Surface properties: 1 / 2	Description 1: Hydraulic pump assembly TMP pump	Sheet: 1 / 2
Description 2:			

Revision:	Approved	Date:	Revision Description
1	HG	08-02-2016	Made

PARTS LIST

ITEM	QTY	PART NUMBER	DESCRIPTION
1	2	10206012	Hexagon cylinder head M6x12 FZB
2	2	11416150	Hexagon bolt M16x150 FZB
3	2	17916000	Self-locking nut M16 FZB
4	4	20412030	Hexagon countersunk head M12x30 FZB
5	1	280140	Wheel suspension
6	2	423068	Grease nipple M6 straight
7	2	423465	Fork for wheel
8	2	423466	Tire with rim Ø268xØ12,5x120
9	2	82106000	Washer M6 FZB



Break all edges



Part No.: M12110

Description 1:

Wheel suspension assembly

Description 2:

Not specified tolerance according to:

DS/ISO 2768-m

Sheet size:

A3

Surface properties:

No

Sheet:

1 / 1

Scale:

1 : 5



Material:

Revision: Approved Date: 22-09-2016

1 SK Made

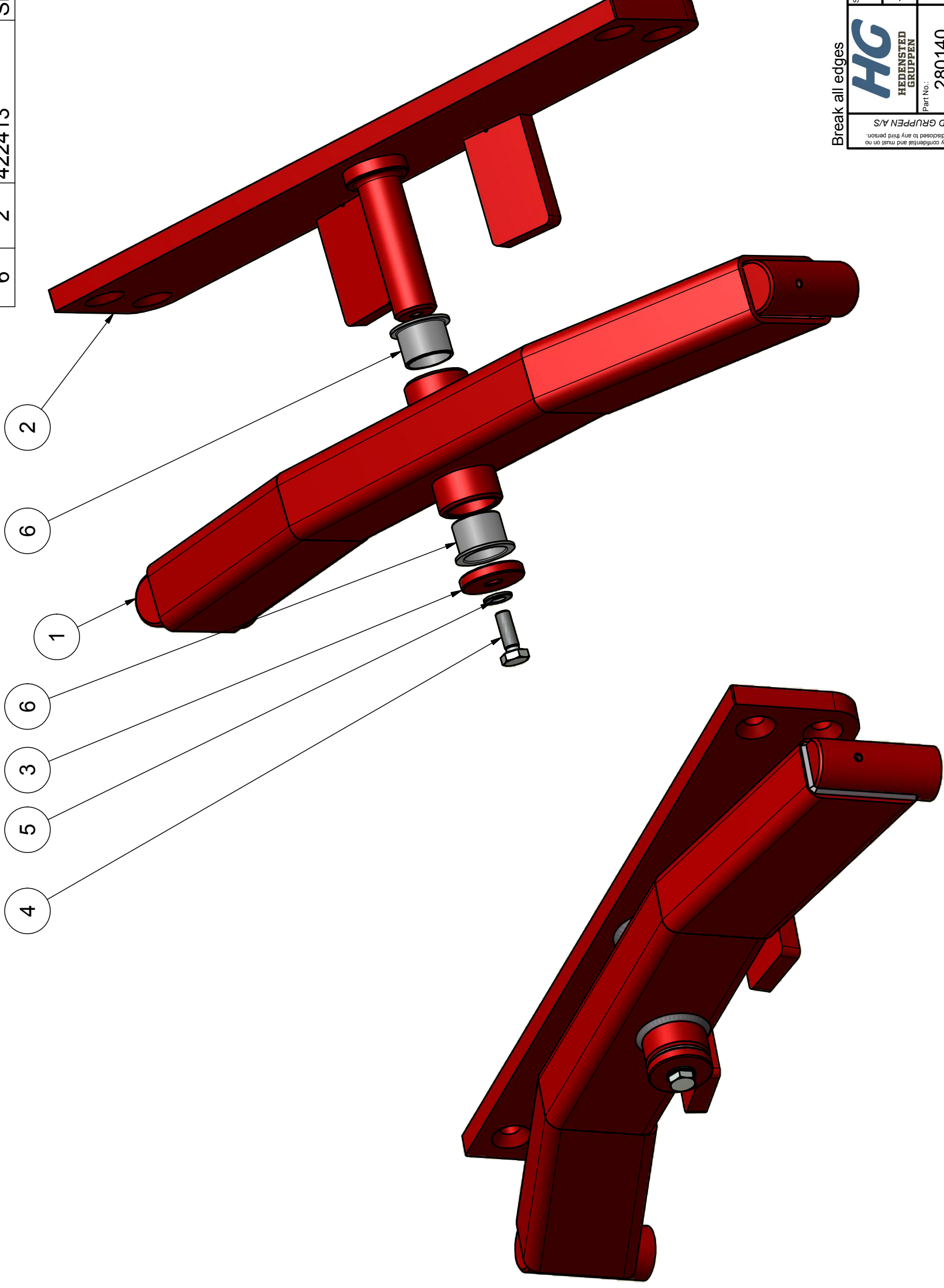
Description 1: Wheel suspension assembly

Description 2:

HEDENSTED GRUPPEN AS
This document is strictly confidential and must not be
account be copied or disclosed to any third person.

Parts List

ITEM	QTY	PART NUMBER	DESCRIPTION
1	1	280139	Wheel suspension, movable part
2	1	280138	Wheel suspension, base part
3	1	43254	End plate Ø45
4	1	11410030	Hexagon bolt M10x30 FZB
5	1	82110000	Chamfered Washer M10 FZB
6	2	422413	Slide Bearing PAF-30260 (34x30x26)



Break all edges

HEDENSTED GRUPPEN A/S
 This document is strictly confidential and must not be
 account be copied or disclosed to any third person.



Scale: 1 : 3
 Not specified tolerance according to: DS/ISO 2768-m
 Surface properties:

Sheet size: A3
 Sheet: 1 / 1

Part No.: 280140

Description 1: Wheel suspension

Description 2: Without fork & wheels (Rem. bolts)

Revision:	Approved	Date:	Revision Description
1	HG	28-09-2015	Revision changed to numeric