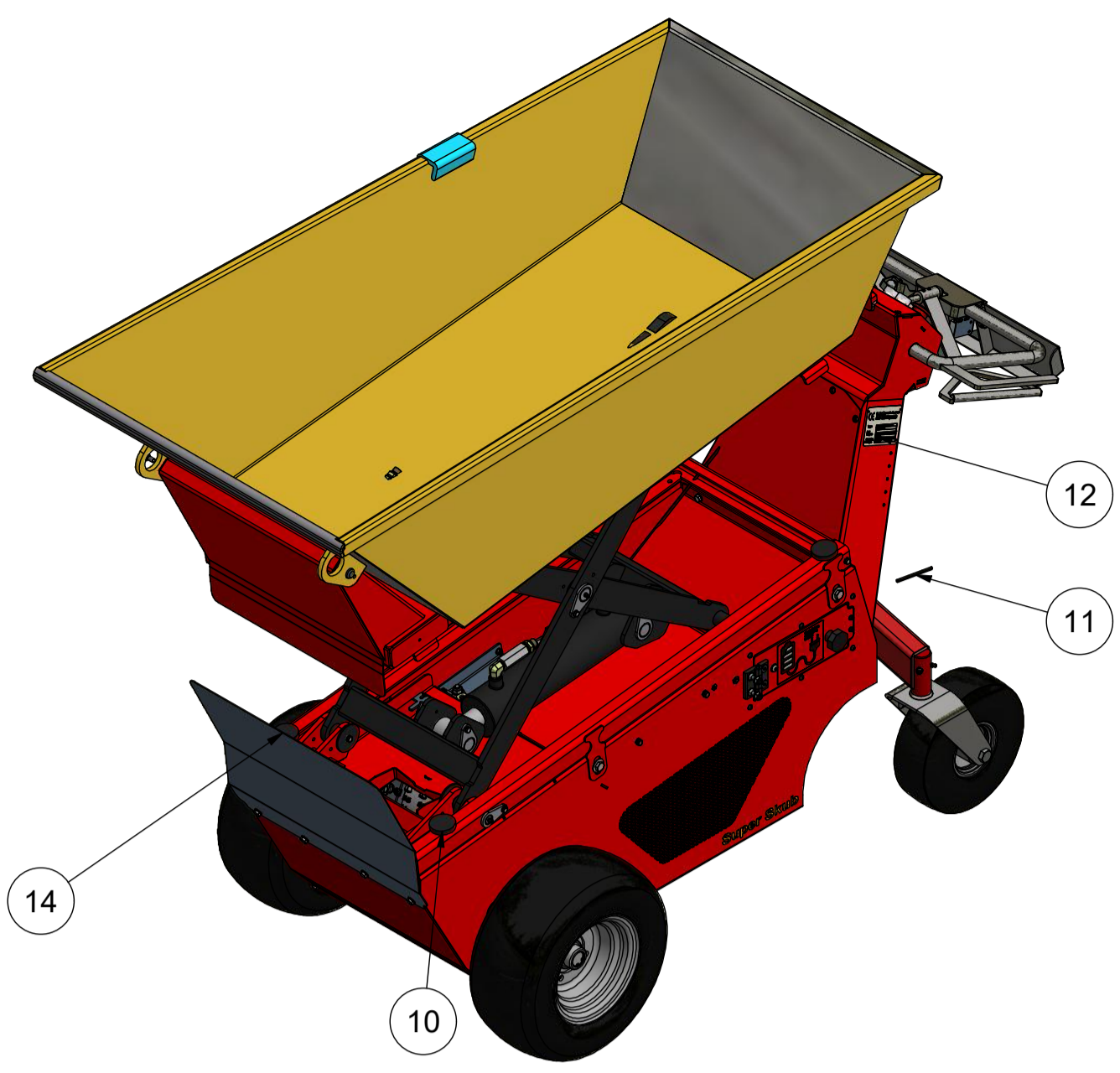
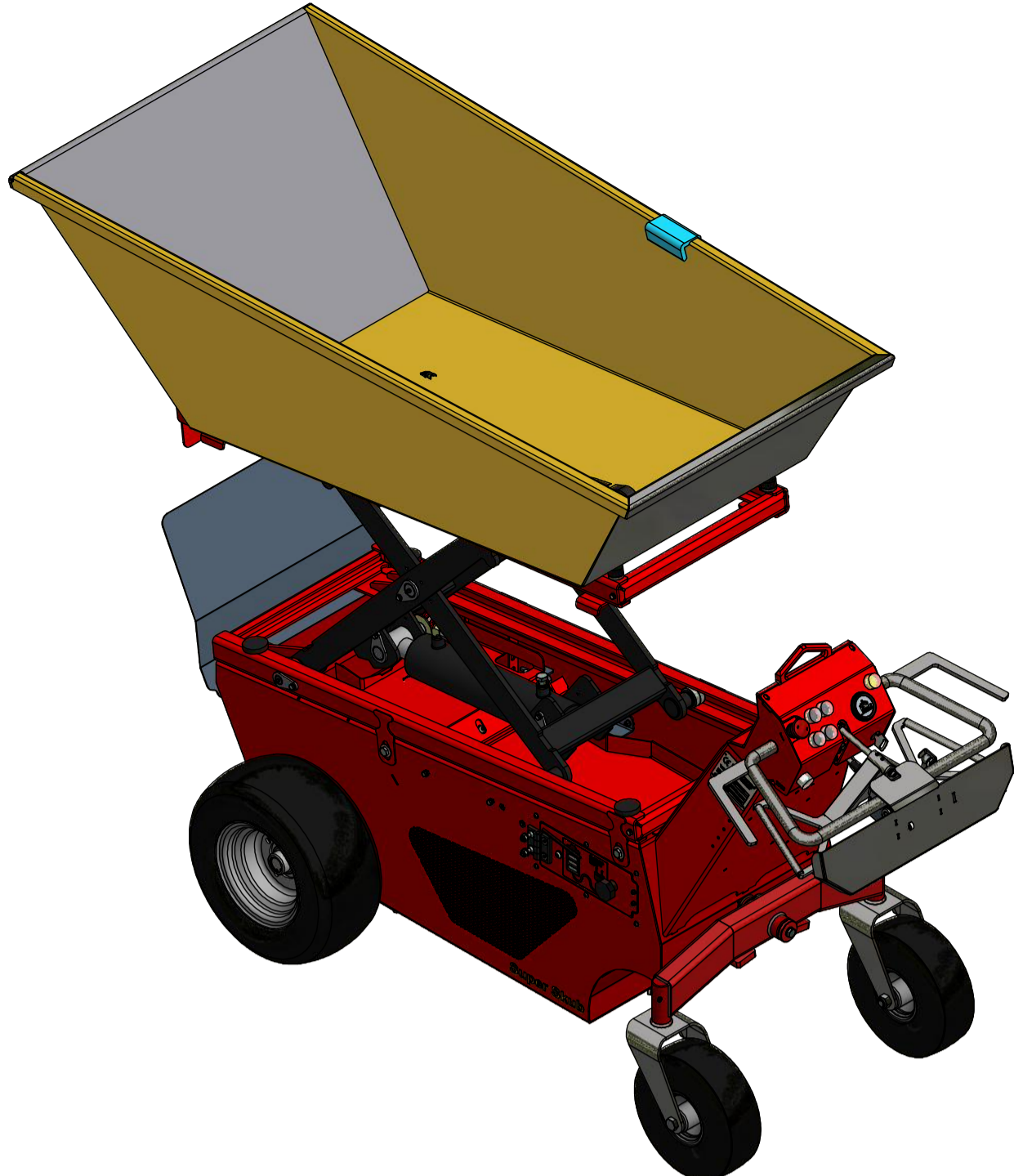


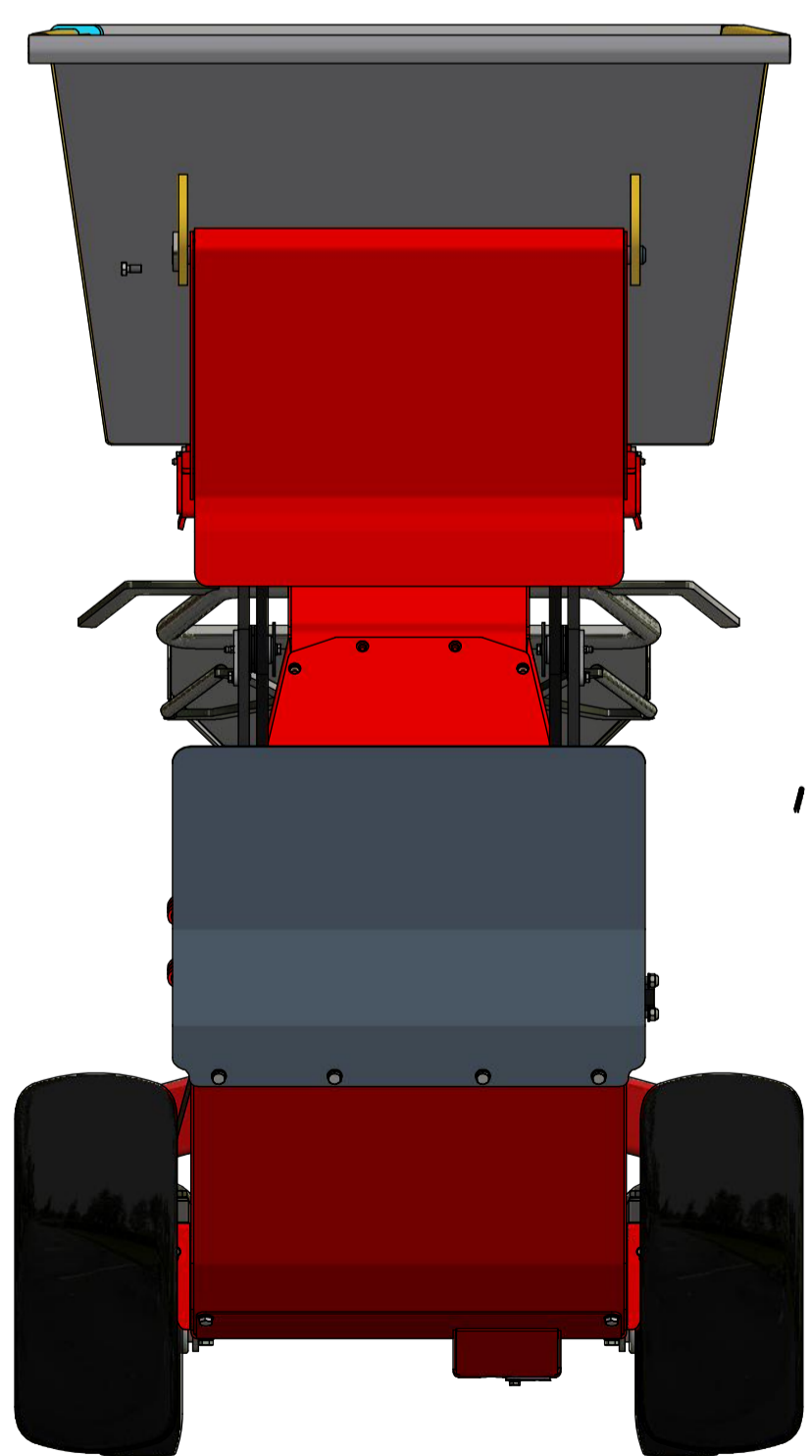
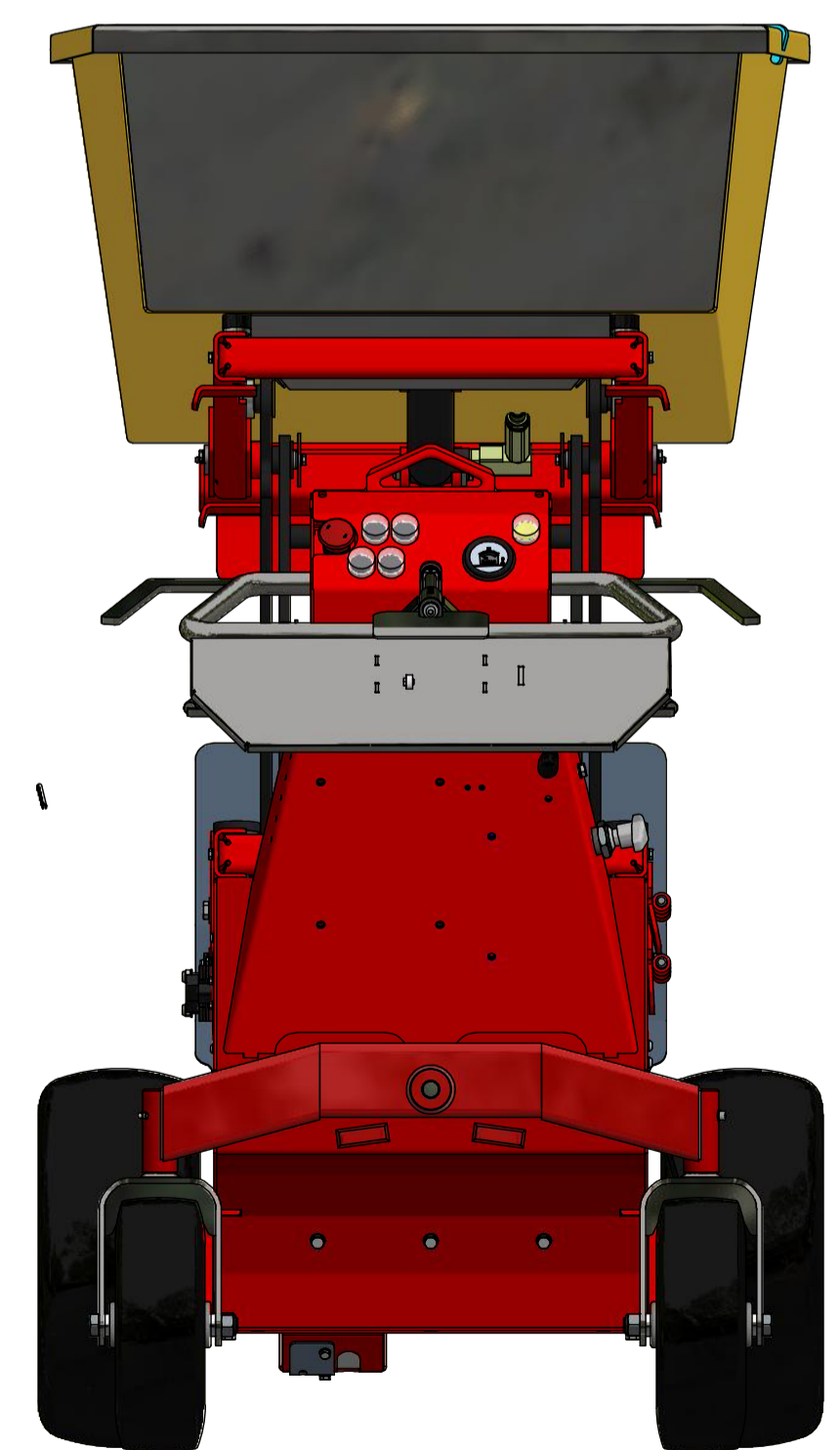
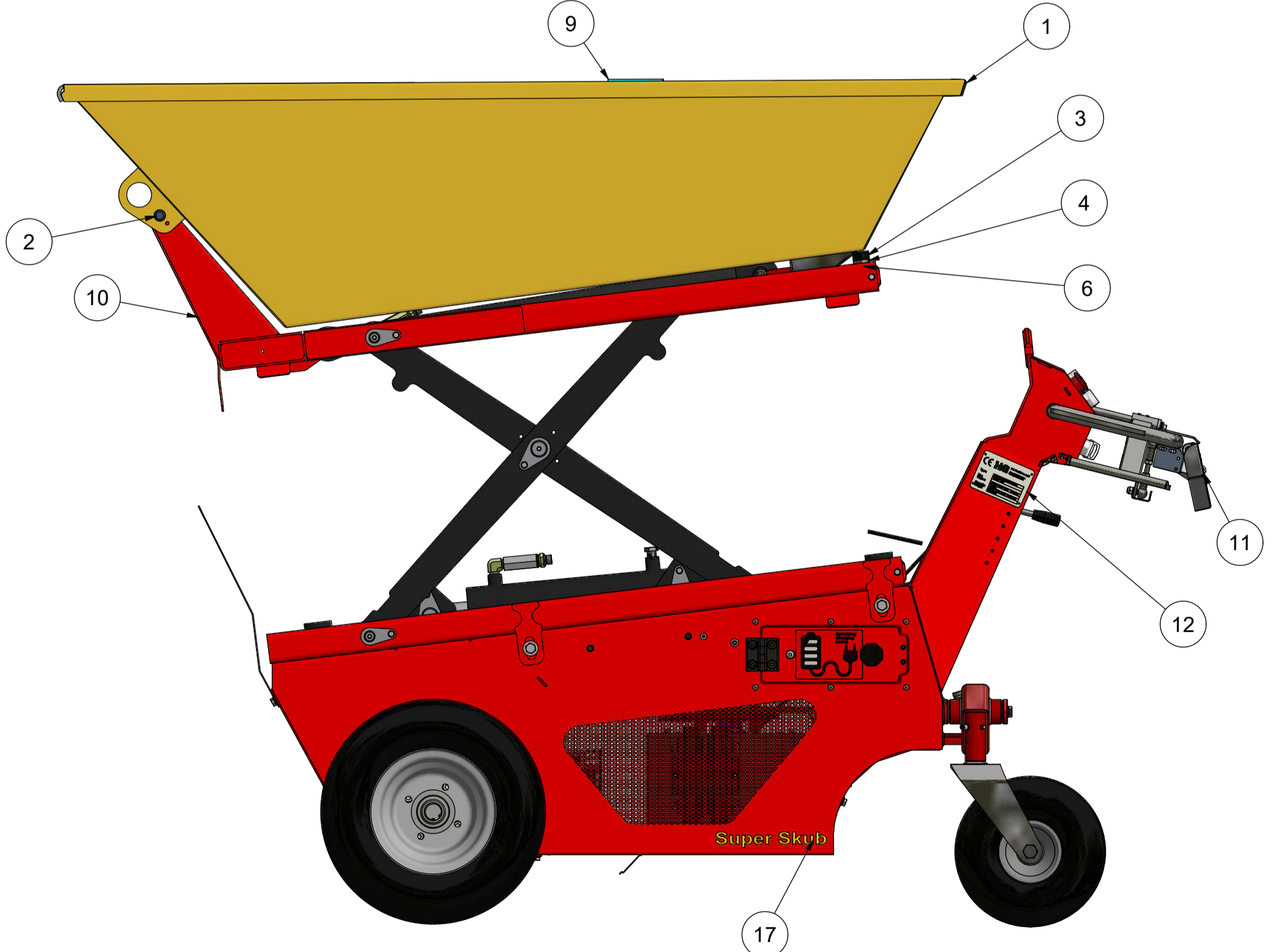
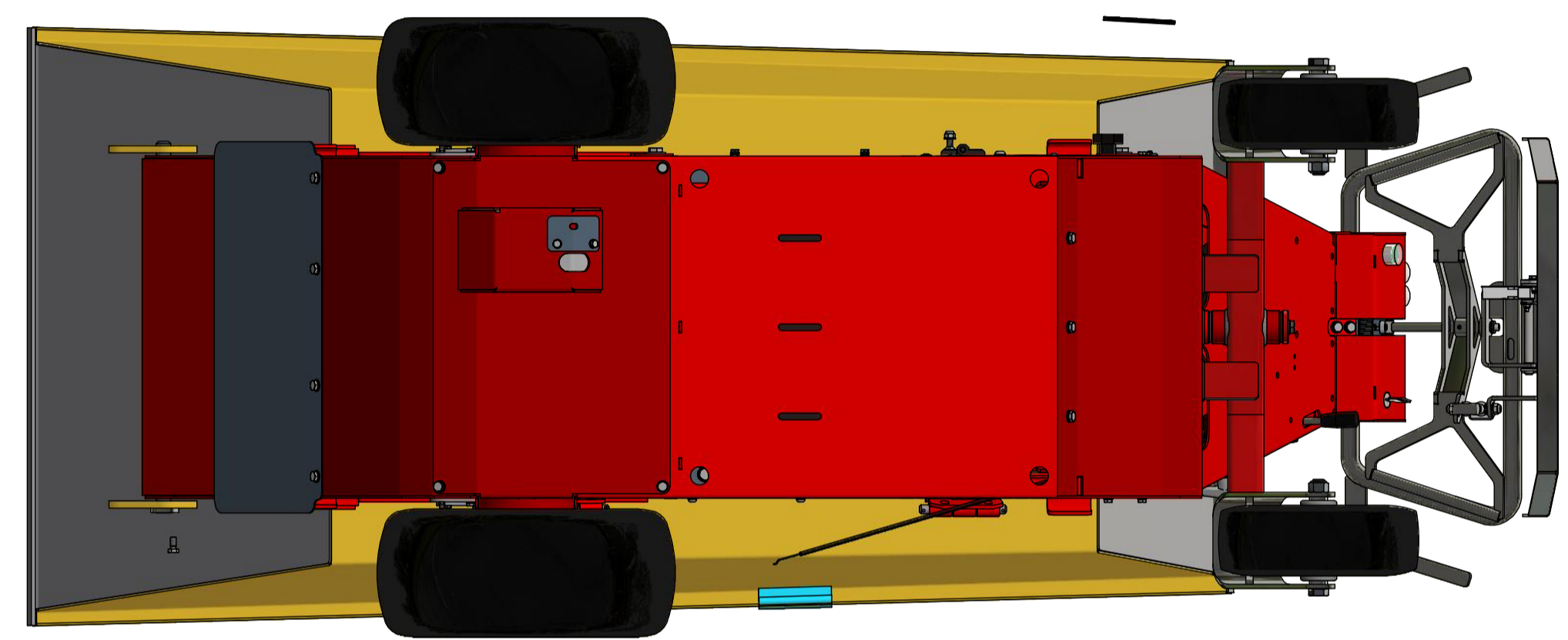
# SPARE PART LIST HG E1000 HIGH TIP SUPER SKUB

**HG E1000****100%  
ELECTRIC**





PARTS LIST			
ITEM	QTY	PART NUMBER	DESCRIPTION
1	1	423400	Container for SS hydra
2	1	423410	Tilting shaft for hydra
3	2	423422	Vibration absorber Ø30x15 - M8
4	2	423484	Spacer for rubber
5	5	11408016	Hexagon bolt M8x16 FZB
6	2	17908000	Self-locking nut M8 FZB
7	1	M102406	Hydraulic cylinder assembly
8	2	M103449	HG Logo for SS - size 54 x 105mm
9	0.1 m	M103877	NomaPack U Tulip 35x41
10	1	M105346	Sissor for SSE and SS Hydra
11	1	M105572	Base assembly 2, Sax S.S Electric
12	1	M105982	ID plate HG DUMPER E1000 HIGH TIP
13	1	M105712	DK pictogram HG Dumper E1000 High tip
14	1	M105702	Dirt cover
15	4	82108000	Washer M8 FZB
16	1	M16150	Charger cable
17	2	M105991	Super Skub sticker
18	4	89403218	Pin split Ø3,2x18
19	4	11410025	Hexagon bolt M10x25 FZB

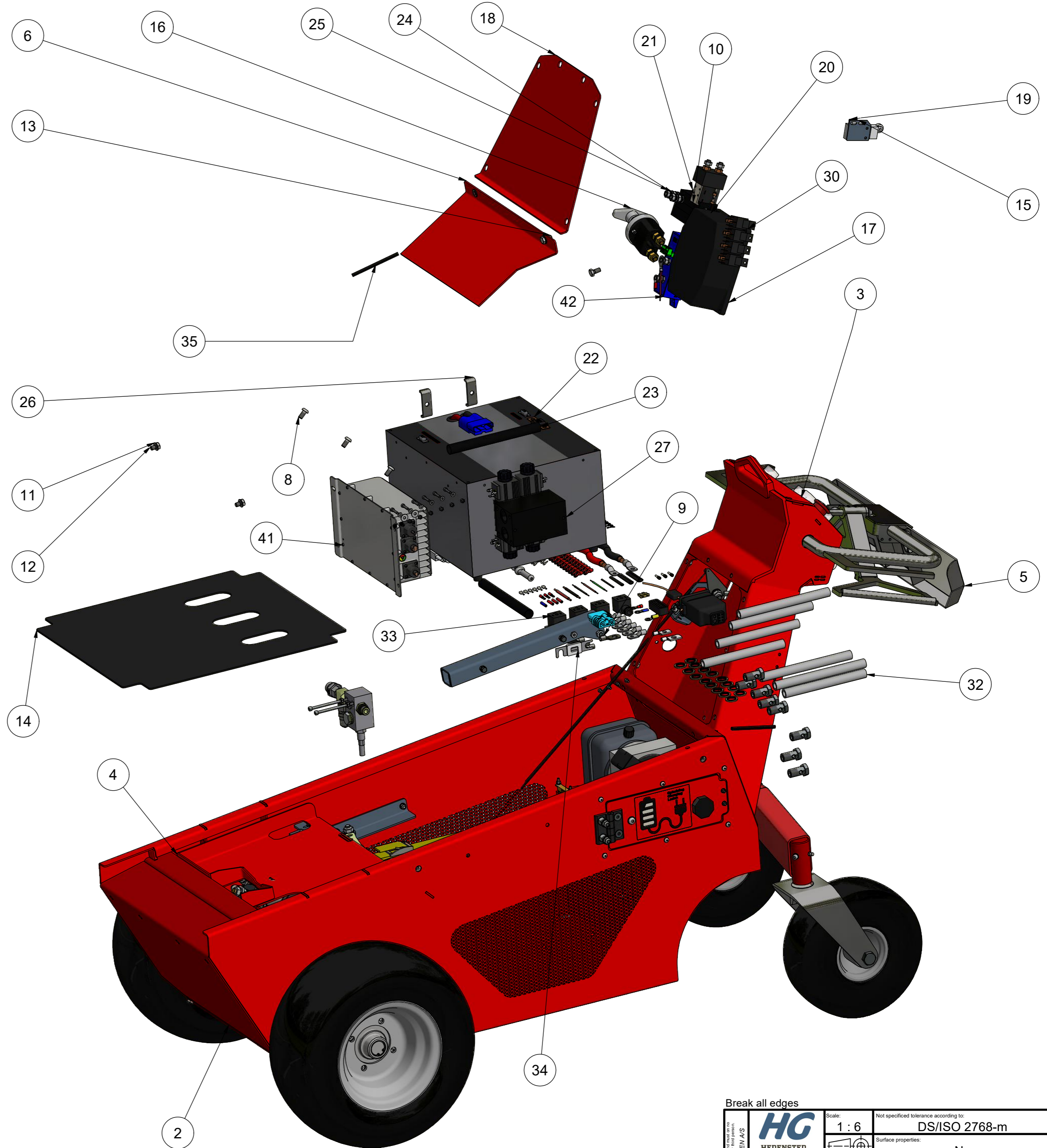


Break all edges		Scale: 1 : 8		Not specified tolerance according to: DS/ISO 2768-m		Sheet size: A1	
HEDENSTED GRUPPEN AS		Surface properties: No		Material: No		Sheet: 1 / 1	
Part No: 280220		Description 1: HG Dumper E1000 High Tip					
Revision: 14		Approved: LWJ		Date: 2023-04-24		Description 2: Super Skub - 100% Electric	
Revision Description: Item 11410025 added.							



PARTS LIST

ITEM	QTY	PART NUMBER	DESCRIPTION
1	1	M105570	Grip/valves assembly Sax S.S Electric
2	1	M104449	Bottom Cover assembly
3	1	M105612	Control panel assembly SSE Sax
4	1	M104546	Motor cover
5	1	M104552	Drive control assembly
6	1	M15753	HPU Cover
7	1	M104575	Charger Carrier assembly
8	3	76008016	Buttonhead bolt M8x16 FZB
9	1	M102405	Safety Clamp
10	1	M104609	Main contactor 24 V 250A
11	12	82108000	Washer M8 FZB
12	2	11408012	Hexagon bolt M8x12 FZB
13	2	11408016	Hexagon bolt M8x16 FZB
14	1	M104802	Rubber sheet for batteri
15	1	M104806	Plate for switch SSE
16	1	M100126	Main switch 250A 12v DC
17	1	M105615	AC Induction Motor Controller
18	1	M16232	Sax E700 Riser cover
19	1	M15873	Safetyswitch
20	1	M104897	Main bracket
21	2	M102532	Bolt down fuse block
22	1	M104892	Mega fuse 225A
23	0.0 m	M104901	SHRINK TUBE PHI 19,1 0,5M
24	4	87508000	Spring Washer M8 FZB
25	4	1508000	Nut M8 FZB
26	2	423513	Clamp for hyd tube
27	1	M16226	Hydraulic block
28	1	M105139	SSE 120Ah 24V battery
29	1	M16149	SBE160 CONNECTOR
30	4	M16251	Relay
31	1	M16257	Relief valve assembly
32	1	M105758	SSE SAX hoses
33	1	M105788	New wiring assembly
34	1	M105988	Fuse 100 A
35	0.6 m	423431	Edge protection strip
36	6	10204020	Hexagon cylinder head M4x20 FZB
37	6	17904000	Self-locking nut M4 FZB
38	2	82605000	Washer Ø5,3x15x1,2 FZB
39	6	82104000	Washer M4 FZB
40	2	1504000	Nut M4 FZB
41	1	M16331	Charger 24V
42	1	M106145	Battery protect 100Ah complete
43	4	10204006	Hexagon cylinder head M4x6 FZB

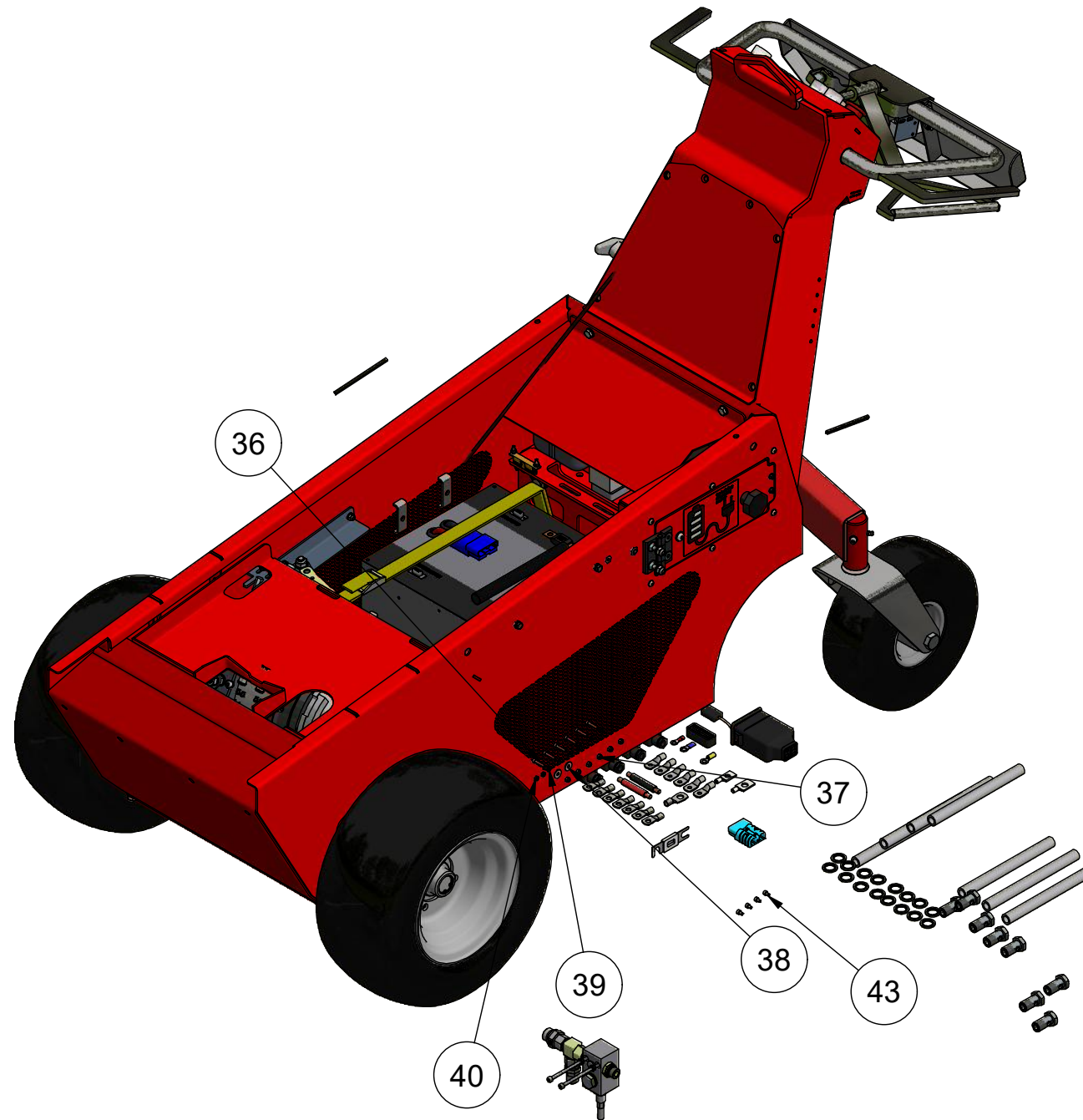


Break all edges


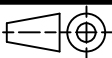
 HEDENSTED GRUPPEN	Scale: 1 : 6	Not specified tolerance according to: DS/ISO 2768-m	Sheet size: A2
		Surface properties: No	Sheet: 1 / 2
Part No.: M105572	Description 1: Base assembly 2, Sax S.S Electric		
	Description 2: Sax Super Skub Electric		

Revision:	Approved	Date:	Revision Description
19	LWJ	2023-11-16	The BOM has been updated.





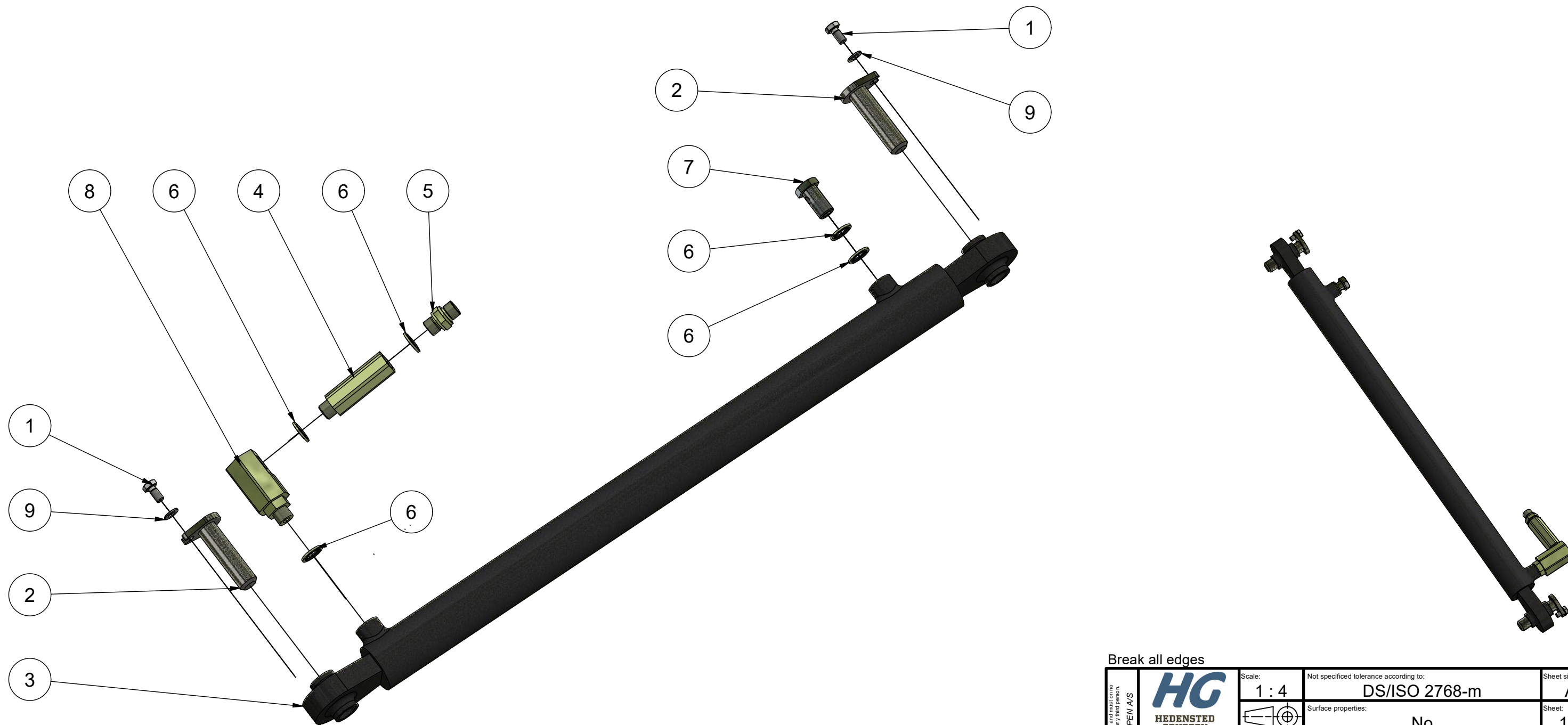
Break all edges

The document is strictly confidential and must not be accounted for copied or disclosed to any third person. <b>HEDENSTED GRUPPEN A/S</b>	 <b>HEDENSTED GRUPPEN</b>	Scale: 1 : 6	Not specified tolerance according to: DS/ISO 2768-m	Sheet size: A3	
			Surface properties: No	Sheet: 2 / 2	
	Part No.:	M105572			Material:
	Description 1:	Base assembly 2, Sax S.S Electric			Description 2:
	Sax Super Skub Electrix				

Revision:	Approved	Date:	Revision Description
19	LWJ	2023-11-16	The BOM has been updated.

PARTS LIST

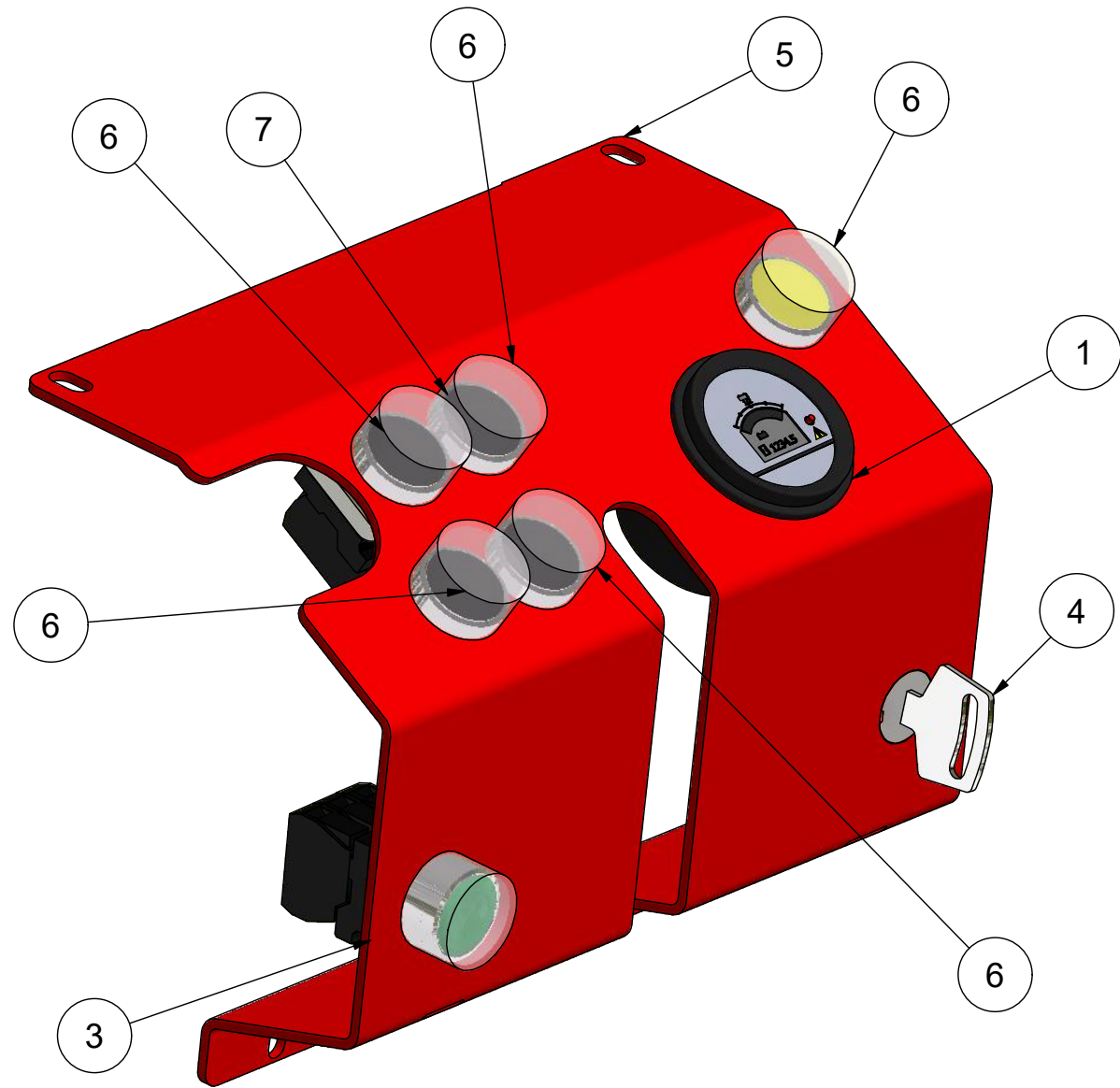
ITEM	QTY	PART NUMBER	DESCRIPTION
1	2	11408016	Hexagon bolt M8x16 FZB
2	2	423409	Lock pin for cylinder
3	1	423461	Hydraulic cylinder
4	1	423462	Hose leak valve
5	1	477100	Straight connector 3/8" x 3/8"
6	5	477163	Bopnded seal washer 3/8"
7	1	477222	Banjo bolt 3/8"
8	1	477225	Swiwel 90° GG 3/8"
9	2	82108000	Washer M8 FZB



Revision:	Approved	Date:	Revision Description
1	SK	2016-09-22	Made



Break all edges

The documents are confidential and must be kept in account by copied or disclosed to any third person. <b>HEDENSTED GRUPPEN A/S</b>	<b>HG</b>	Scale: <b>1 : 4</b>	Not specified tolerance according to: <b>DS/ISO 2768-m</b>	Sheet size: <b>A3</b>
	<b>HEDENSTED GRUPPEN</b>		Surface properties: <b>No</b>	Sheet: <b>1 / 1</b>
	Part No.: <b>M102406</b>	Material:		
Description 1: <b>Hydraulic cylinder assembly</b>				
Description 2:				



PARTS LIST			
ITEM	QTY	PART NUMBER	DESCRIPTION
1	1	M105150	Hour meter
2	1	600335	Push button yellow 1NO XB4BA51
3	1	600350	Push button green/light 1NO+1NC XB4BW33B5
4	1	M104617	Ignition switch Superskub Electric
5	1	M105609	Control panel Flange
6	6	M16072	Silicone cap
7	4	600786	Push button black 1NO XB4BA21

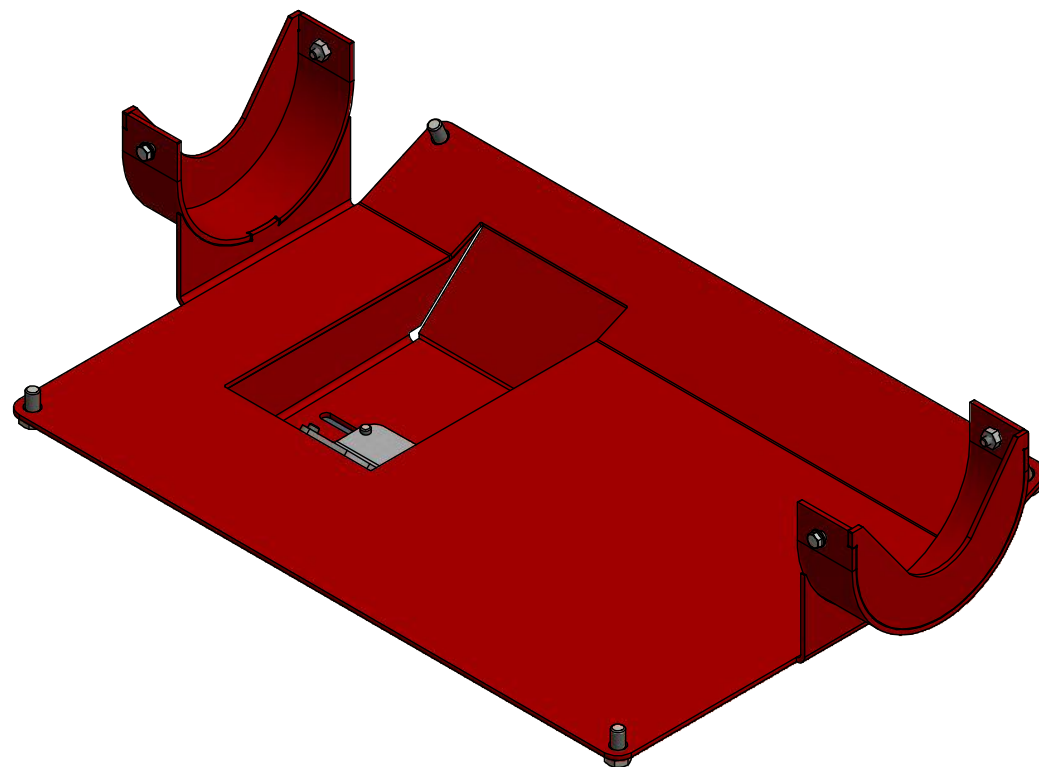
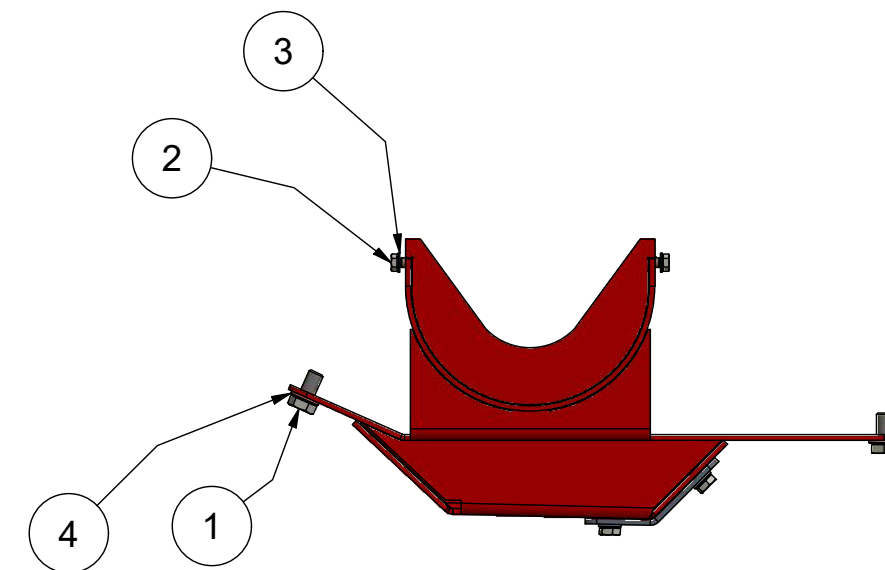
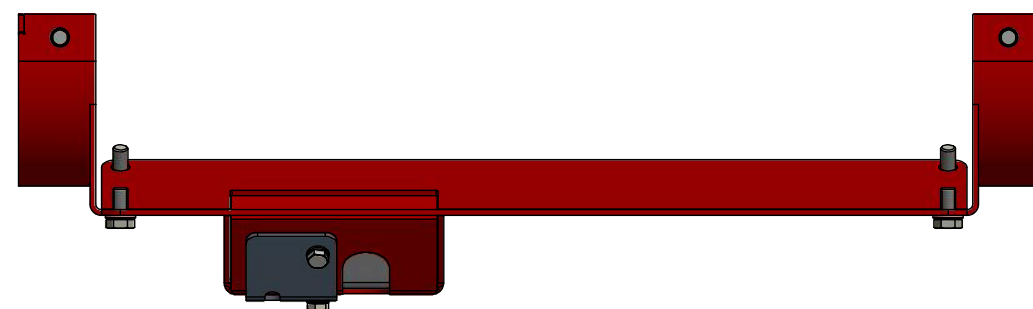
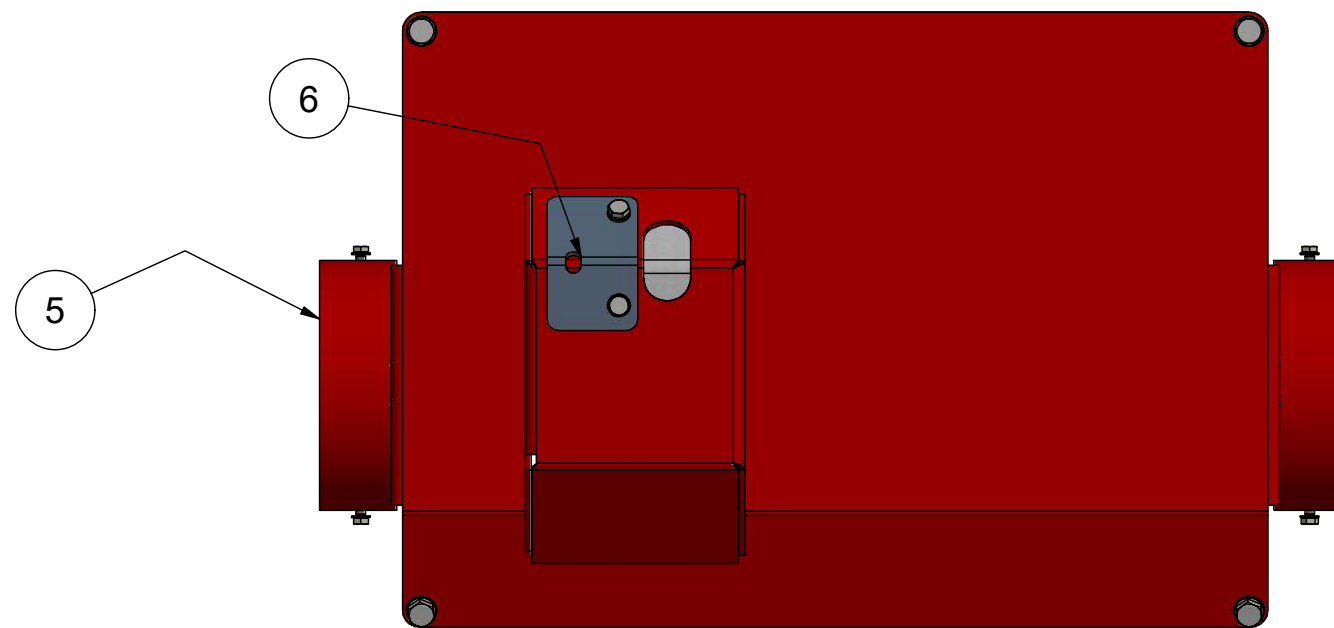
Break all edges

<small>This document is strictly confidential and must not be accounted for copied or disclosed to any third person.</small> <b>HEDENSTED GRUPPEN A/S</b>	 <b>HEDENSTED GRUPPEN</b>	Scale: 1 : 2	Not specified tolerance according to: DS/ISO 2768-m	Sheet size: A3
			Surface properties: No	Sheet: 1 / 1
	Part No.: M105612	Material:		
Description 1: Control panel assembly SSE Sax				
Description 2: SSE SAX panel				

Revision:	Approved	Date:	Revision Description
2	SK	2021-08-13	M105609 changed + 4 x M16072 added



PARTS LIST

ITEM	QTY	PART NUMBER	DESCRIPTION
1	4	11408016	Hexagon bolt M8x16 FZB
2	4	11405016	Hexagon bolt M5x16 FZB
3	4	82105900	Washer M5 FZB
4	4	82108000	Washer M8 FZB
5	1	M103957	Motor bottom cover
6	1	M104448	Slide cover assembly

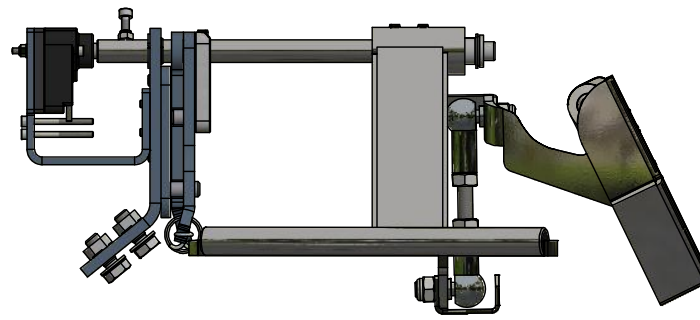
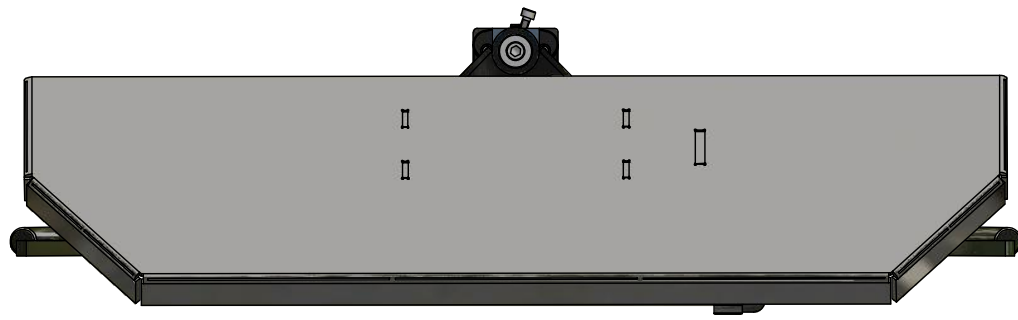


Revision:	Approved	Date:	Revision Description
1	SK	2021-05-19	Bolts material FZB

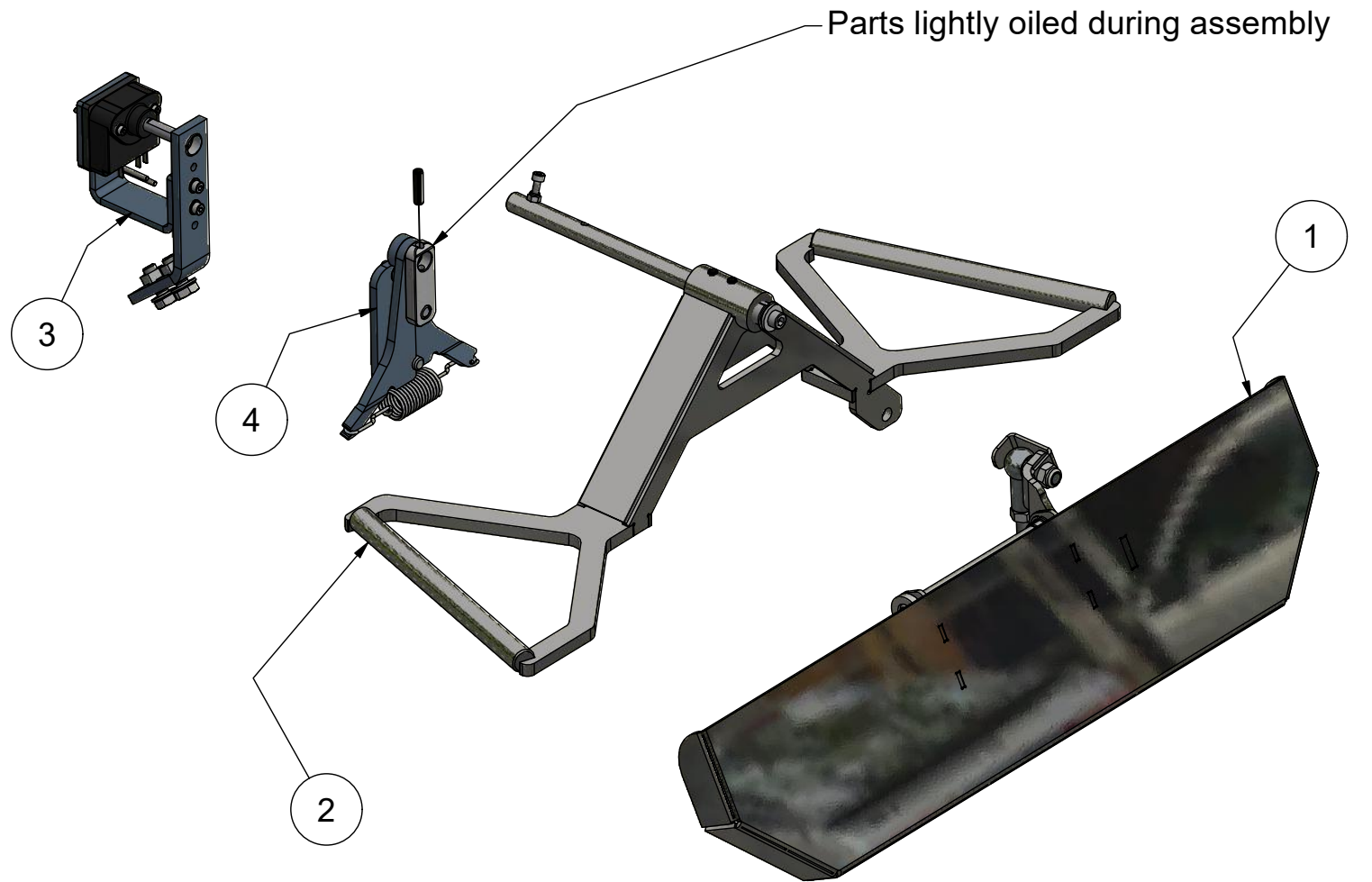
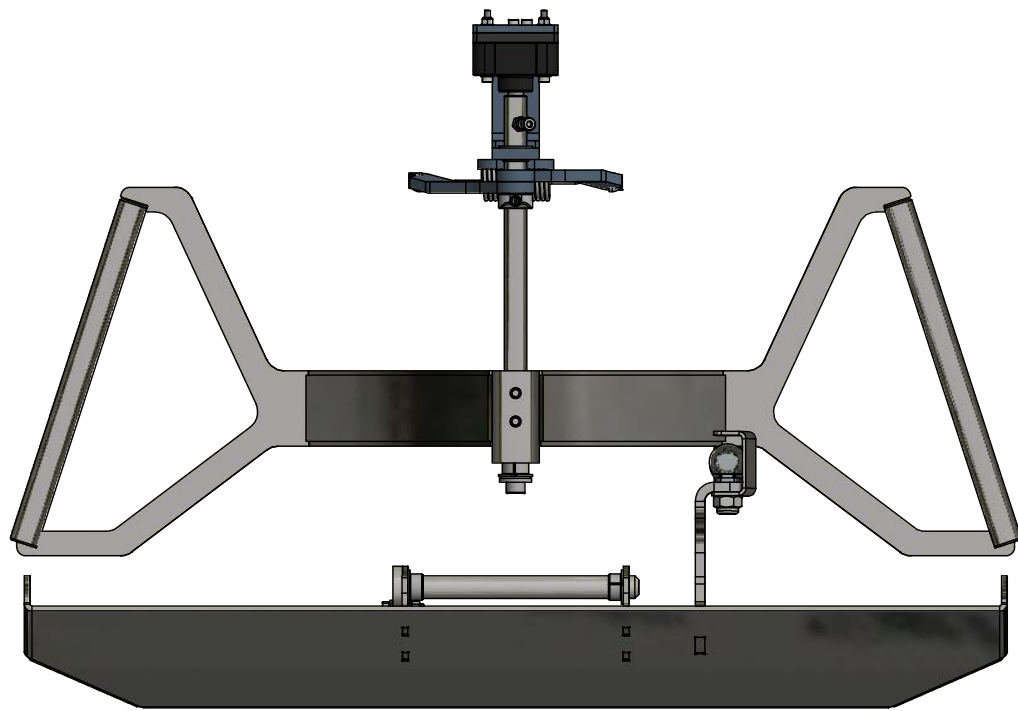
Break all edges

The documents are confidential and must be kept in account by copied or disclosed to any third person. <b>HEDENSTED GRUPPEN A/S</b>	 <b>HEDENSTED GRUPPEN</b>	Scale: 1 : 4	Not specified tolerance according to: DS/ISO 2768-m	Sheet size: A3
			Surface properties: No	Sheet: 1 / 1
	Part No.: M104449	Material:		
Description 1: Bottom Cover assembly				
Description 2:				







PARTS LIST			
ITEM	QTY	PART NUMBER	DESCRIPTION
1	1	M102403	Bumper assembly
2	1	M103969	Trottel grip assembly
3	1	M103972	Assembly pot meter/bearing for handle
4	1	M104560	Centering Parts

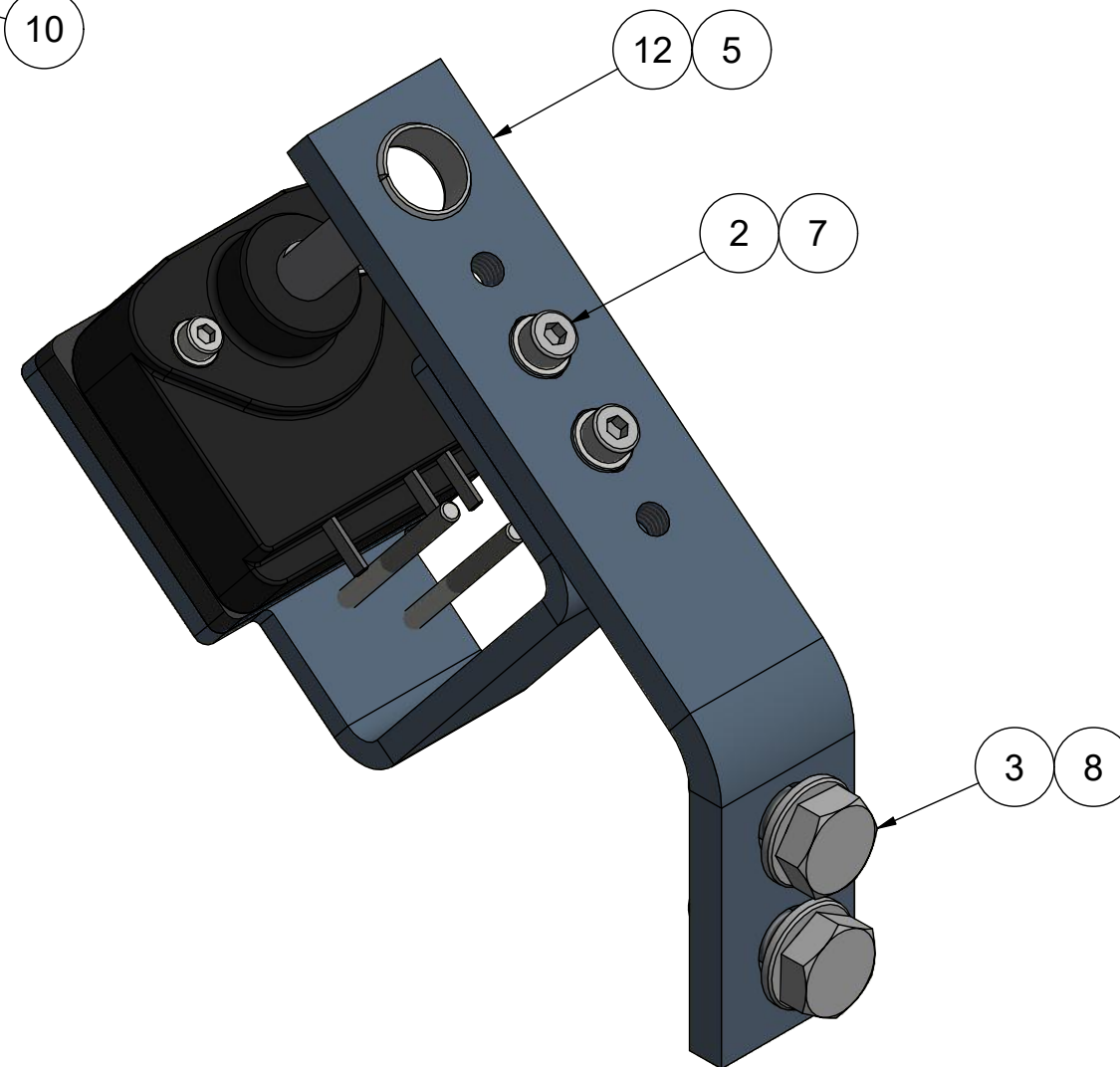
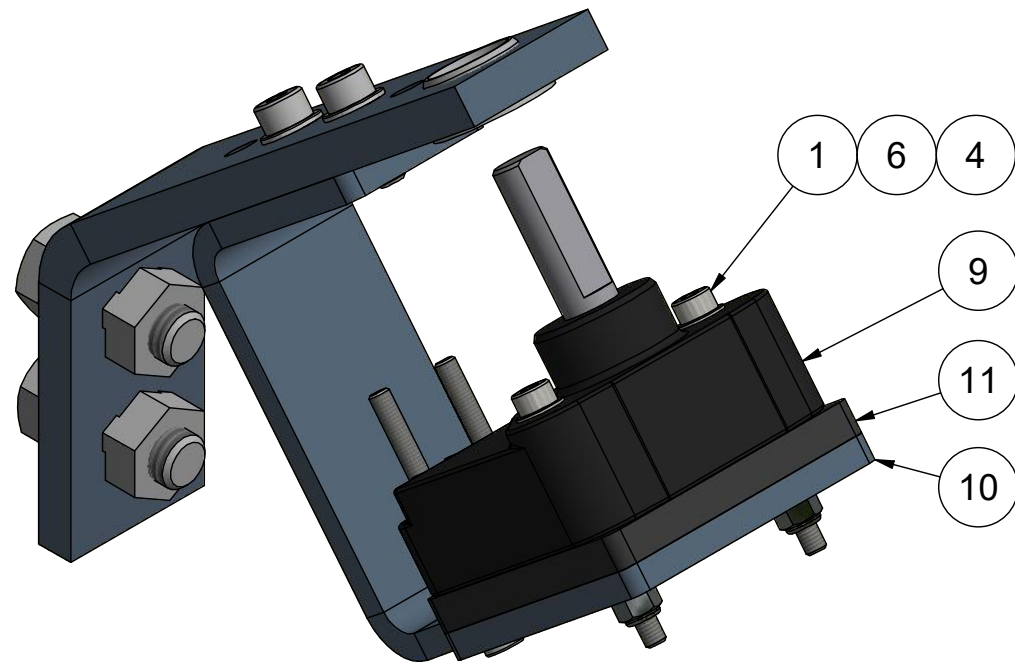


Break all edges

<small>The documents are strictly confidential and must not be accounted for copied or disclosed to any third person.</small> <b>HEDENSTED GRUPPEN A/S</b>	 <b>HEDENSTED GRUPPEN</b>	Scale: <b>1 : 4</b>	Not specified tolerance according to: <b>DS/ISO 2768-m</b>	Sheet size: <b>A3</b>
	Part No.: <b>M104552</b>	Material:		Surface properties: <b>No</b>
Description 1: <b>Drive control assembly</b>				
Description 2:				



Revision:	Approved	Date:	Revision Description
3	AB	2020-03-23	Drawing update



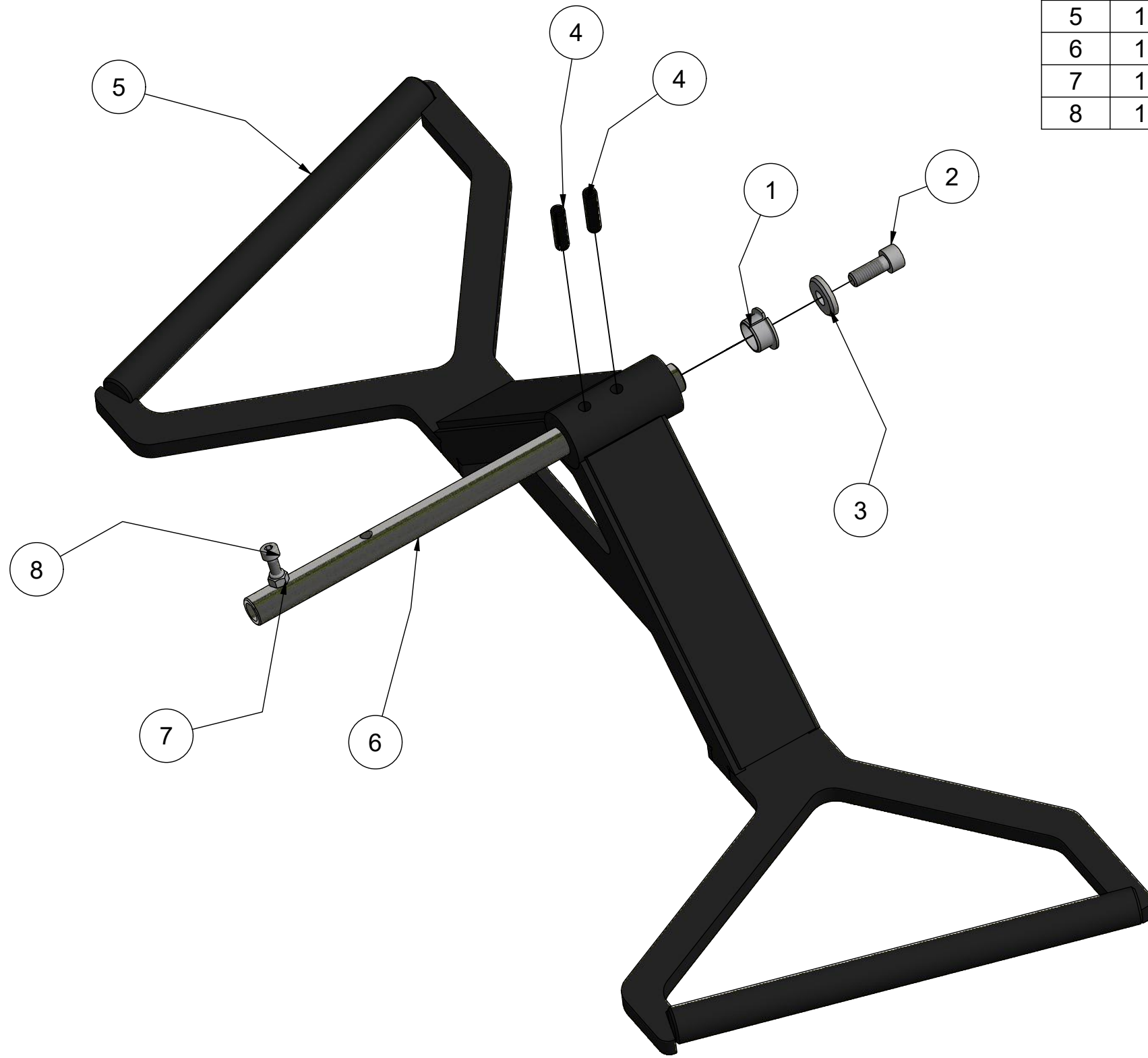


PARTS LIST			
ITEM	QTY	PART NUMBER	DESCRIPTION
1	4	10203040	Hexagon cylinder head M3x40 FZB
2	2	10204012	Hexagon cylinder head M4x12 FZB
3	2	11408020	Hexagon bolt M8x20 FZB
4	2	17903000	Self-locking nut M3 FZB
5	1	423423	Slide bushing Ø12xØ14x7
6	4	82103000	Washer M3 FZB
7	2	82104000	Washer M4 FZB
8	2	82108000	Washer M8 FZB
9	1	M103888	Throttle WW-1
10	1	M103898	Pot meter bracket
11	1	M103899	Flex rubber
12	1	M103974	Bracket for butterfly handle

Break all edges



The documents are confidential and must not be accounted for copied or disclosed to any third person. <b>HEDENSTED GRUPPEN A/S</b>	 <b>HEDENSTED GRUPPEN</b>	Scale: <b>1 : 1</b>	Not specified tolerance according to: <b>DS/ISO 2768-m</b>	Sheet size: <b>A3</b>
			Surface properties: <b>No</b>	Sheet: <b>1 / 1</b>
	Part No.: <b>M103972</b>	Material:		
	Description 1: <b>Assembly pot meter/bearing for handle</b>			
Description 2:				

Revision:	Approved	Date:	Revision Description
3	AB	2020-03-25	Drawing updated



PARTS LIST			
ITEM	QTY	PART NUMBER	DESCRIPTION
1	1	423423	Slide bushing Ø12xØ14x7
2	1	10206016	Hexagon cylinder head M6x16 FZB
3	1	87606000	Washer Ø6,4x17x3 FZB
4	2	89505022	Pin slotted Ø5x22
5	1	M100499	Trottel grip
6	1	M103973	Shaft for handle
7	1	17904000	Self-locking nut M4 FZB
8	1	10204020	Hexagon cylinder head M4x20 FZB

Break all edges

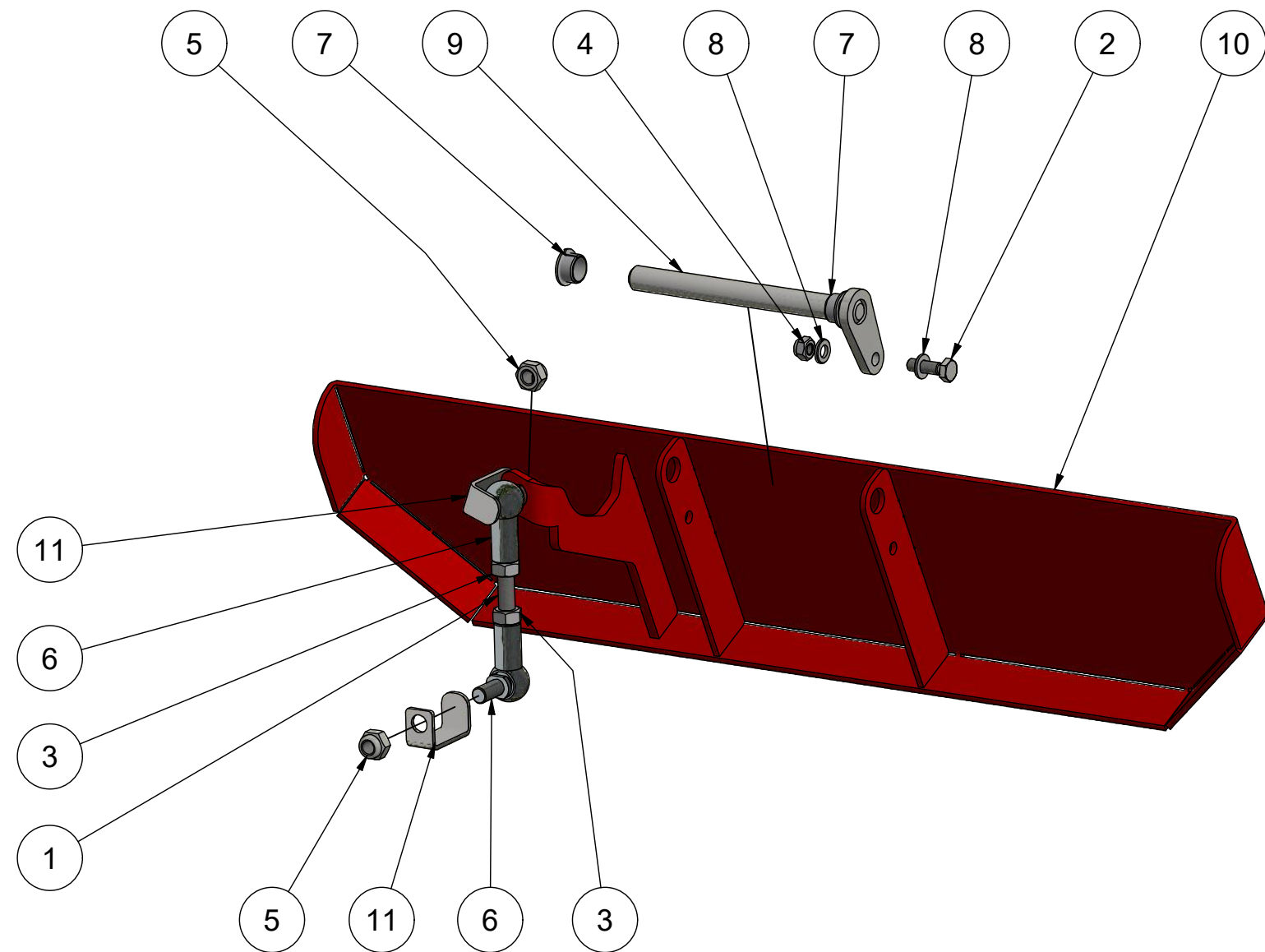
<small>This document is strictly confidential and must not be copied or disclosed to any third person.</small> <b>HEDENSTED GRUPPEN A/S</b>	 <b>HEDENSTED GRUPPEN</b>	Scale: <b>1 : 2</b>	Not specified tolerance according to: <b>DS/ISO 2768-m</b>	Sheet size: <b>A3</b>
	Part No.: <b>M103969</b>	Material:	 Surface properties: <b>No</b>	Sheet: <b>1 / 1</b>
Description 1: <b>Trottel grip assembly</b>		Description 2: <b>1104016</b>		

Revision:	Approved	Date:	Revision Description
2	LWJ	2022-09-29	Added 17904000 and 10204020 instead of 1504000 and 1104016

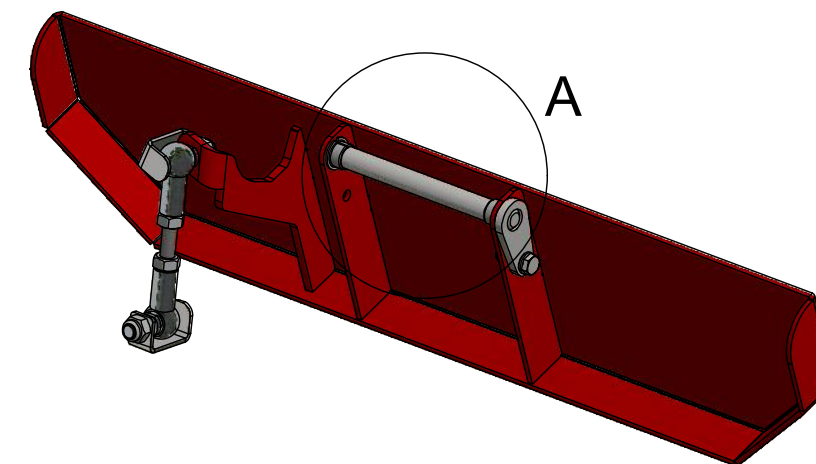
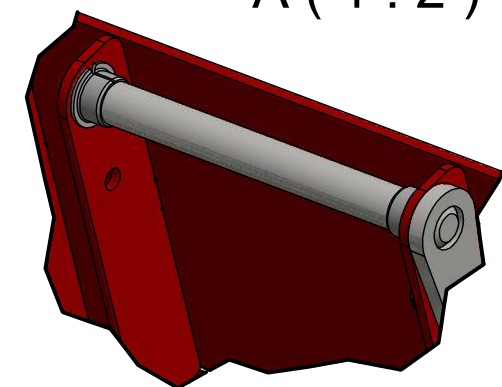


PARTS LIST


ITEM	QTY	PART NUMBER	DESCRIPTION
1	1	10508050	Stop screw M8x50-B
2	1	11406020	Hexagon bolt M6x20 FZB
3	2	1508000	Nut M8 FZB
4	1	17906000	Self-locking nut M6 FZB
5	2	17908000	Self-locking nut M8 FZB
6	2	415042	Ball angle joint AS13 M8
7	2	423423	Slide bushing Ø12xØ14x7
8	2	82106000	Washer M6 FZB
9	1	M100501	Lock rod assembly
10	1	M100503	Bumper assembly
11	2	M100507	Ball lock



A (1:2)



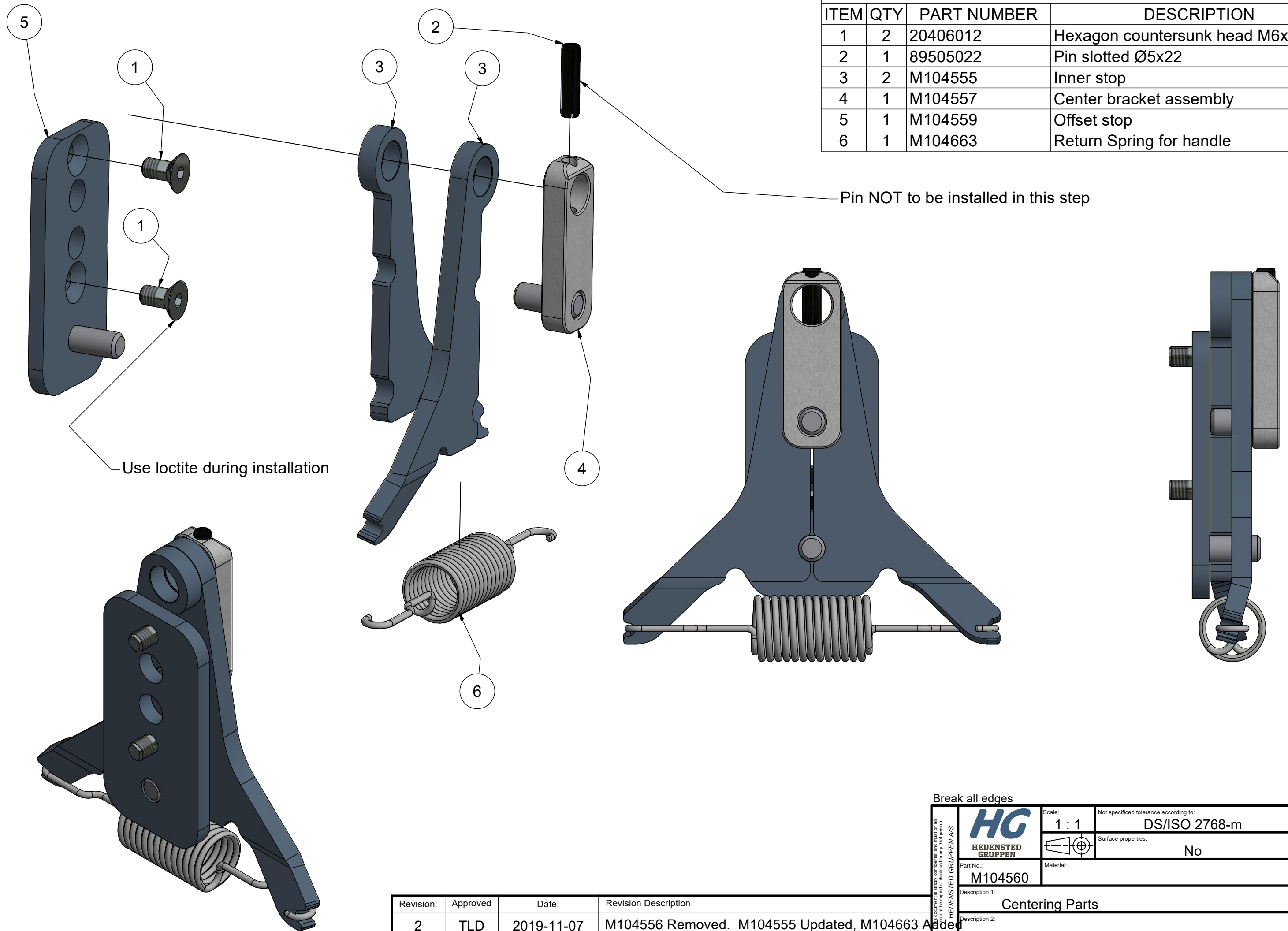
Break all edges

The documents are confidential and must not be accounted for copied or disclosed to any third person. HEDENSTED GRUPPEN A/S	 <b>HEDENSTED GRUPPEN</b>	Scale: 1 : 4	Not specified tolerance according to: DS/ISO 2768-m	Sheet size: A3	
			Surface properties: No	Sheet: 1 / 1	
	Part No.: M102403	Material:			
	Description 1: Bumper assembly				
Description 2: Super skub Hydra					

Revision:	Approved	Date:	Revision Description
2	AB	2020-03-23	Drawing update

PARTS LIST

ITEM	QTY	PART NUMBER	DESCRIPTION
1	2	20406012	Hexagon countersunk head M6x12 FZB
2	1	89505022	Pin slotted Ø5x22
3	2	M104555	Inner stop
4	1	M104557	Center bracket assembly
5	1	M104559	Offset stop
6	1	M104663	Return Spring for handle



Use loctite during installation

Pin NOT to be installed in this step

Break all edges

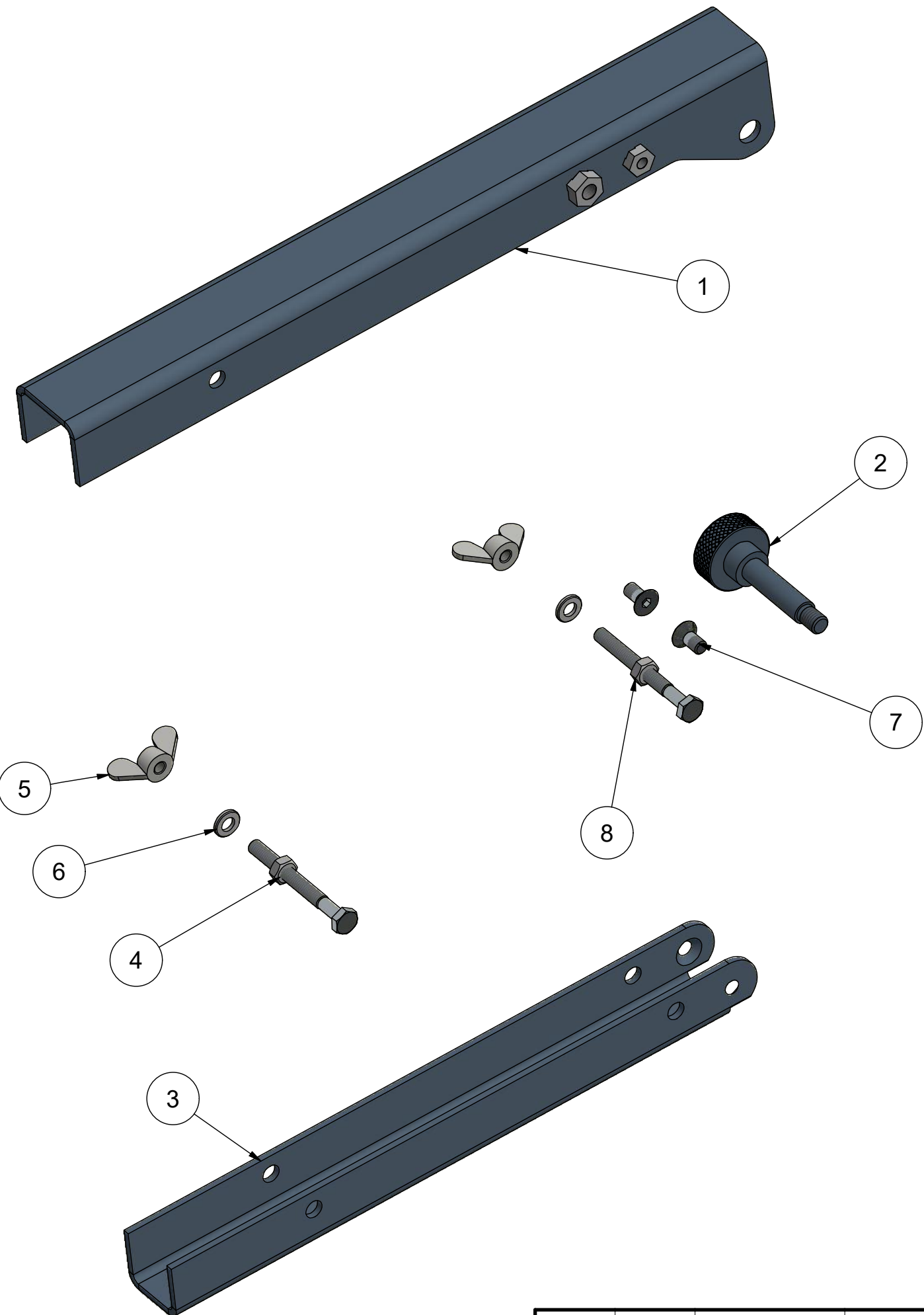
 <b>HEDENSTED GRUPPEN</b>	Scale:	Not specified tolerance according to:	Sheet size:
	1 : 1	DS/ISO 2768-m	A3
Part No.: <b>M104560</b>	 Surface properties: No	Sheet:	
		1 / 1	
Material:			

Revision:	Approved	Date:	Revision Description
2	TLD	2019-11-07	M104556 Removed. M104555 Updated, M104663 Added

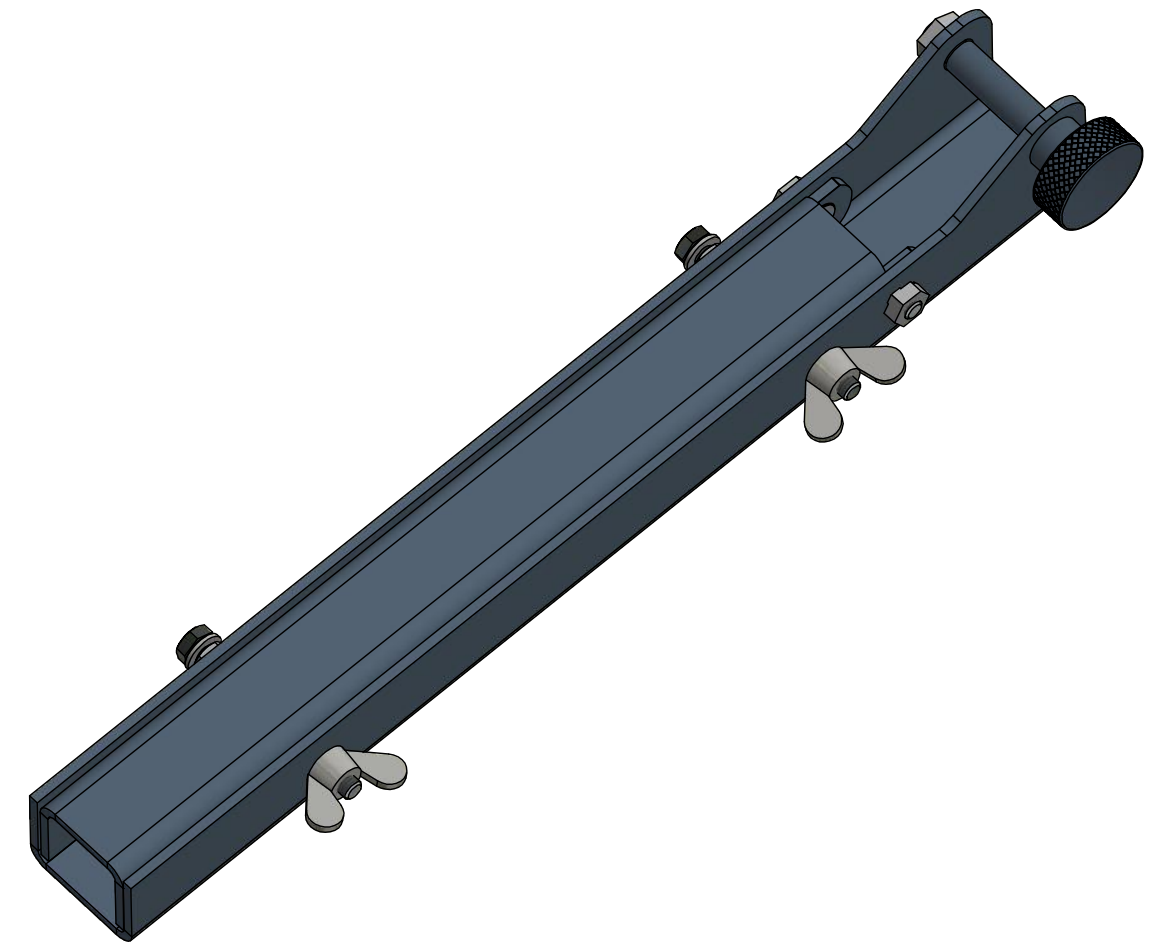
Description 1:  
Centering Parts

Description 2:





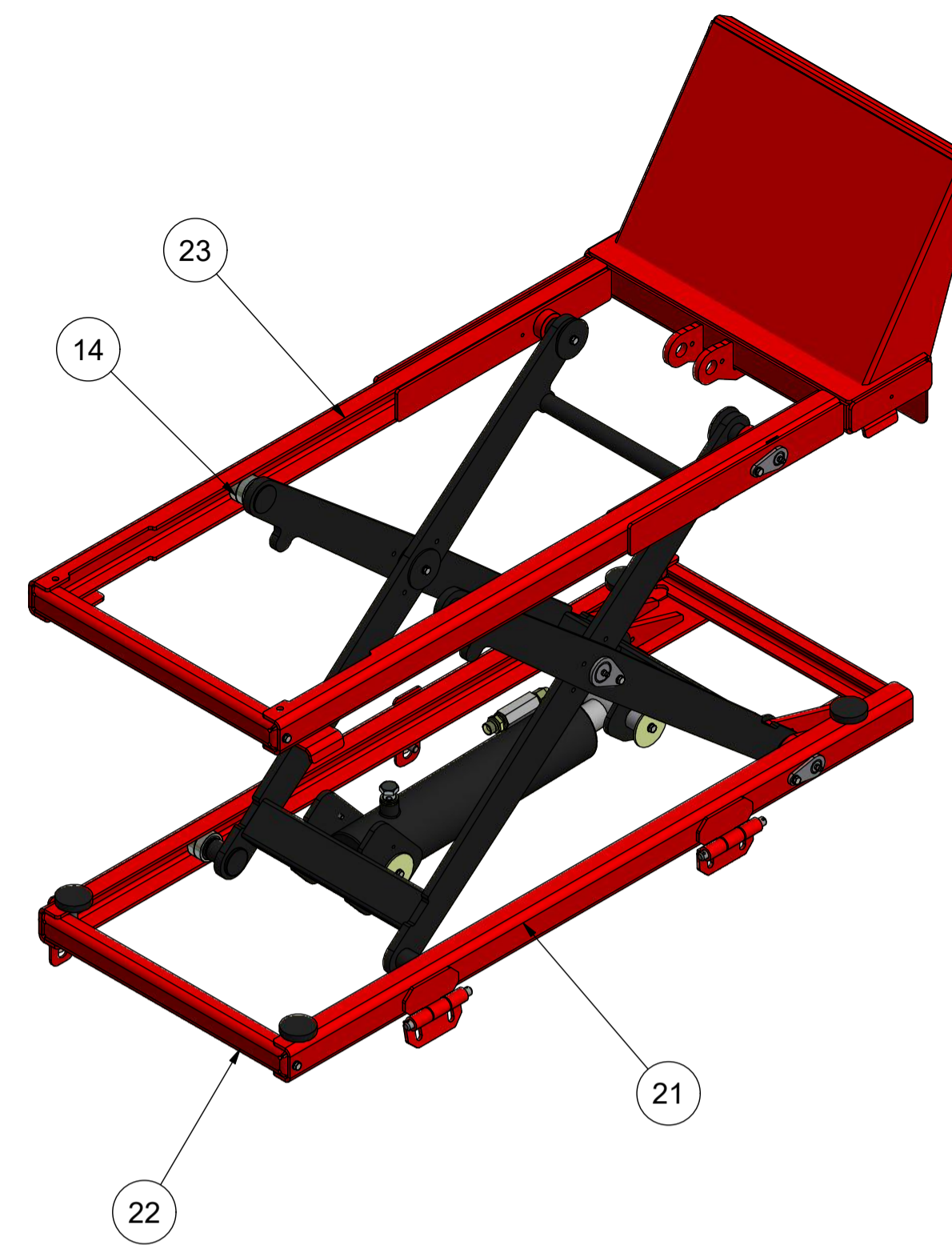
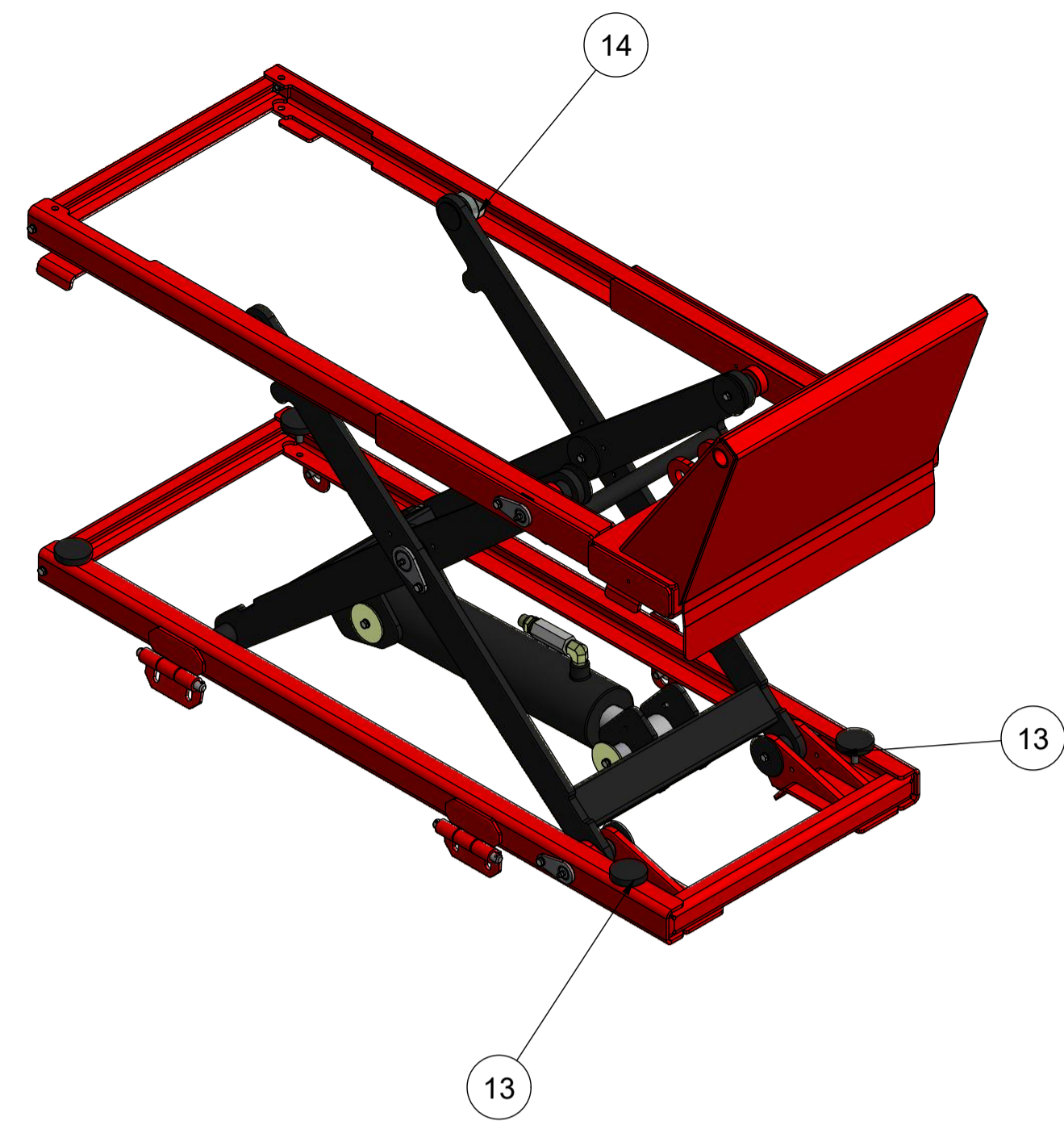
PARTS LIST			
ITEM	QTY	PART NUMBER	DESCRIPTION
1	1	43322	Safety clamp, outer part
2	1	43324	Fingerscrew with knurling
3	1	43329	Safety clamp, inner part
4	2	11406060	Hexagon bolt M6x60 FZB
5	2	19806000	Wing nut M6 FZB
6	2	82106000	Washer M6 FZB
7	2	20406012	Hexagon countersunk head M6x12 FZB
8	2	1506000	Nut M6 FZB



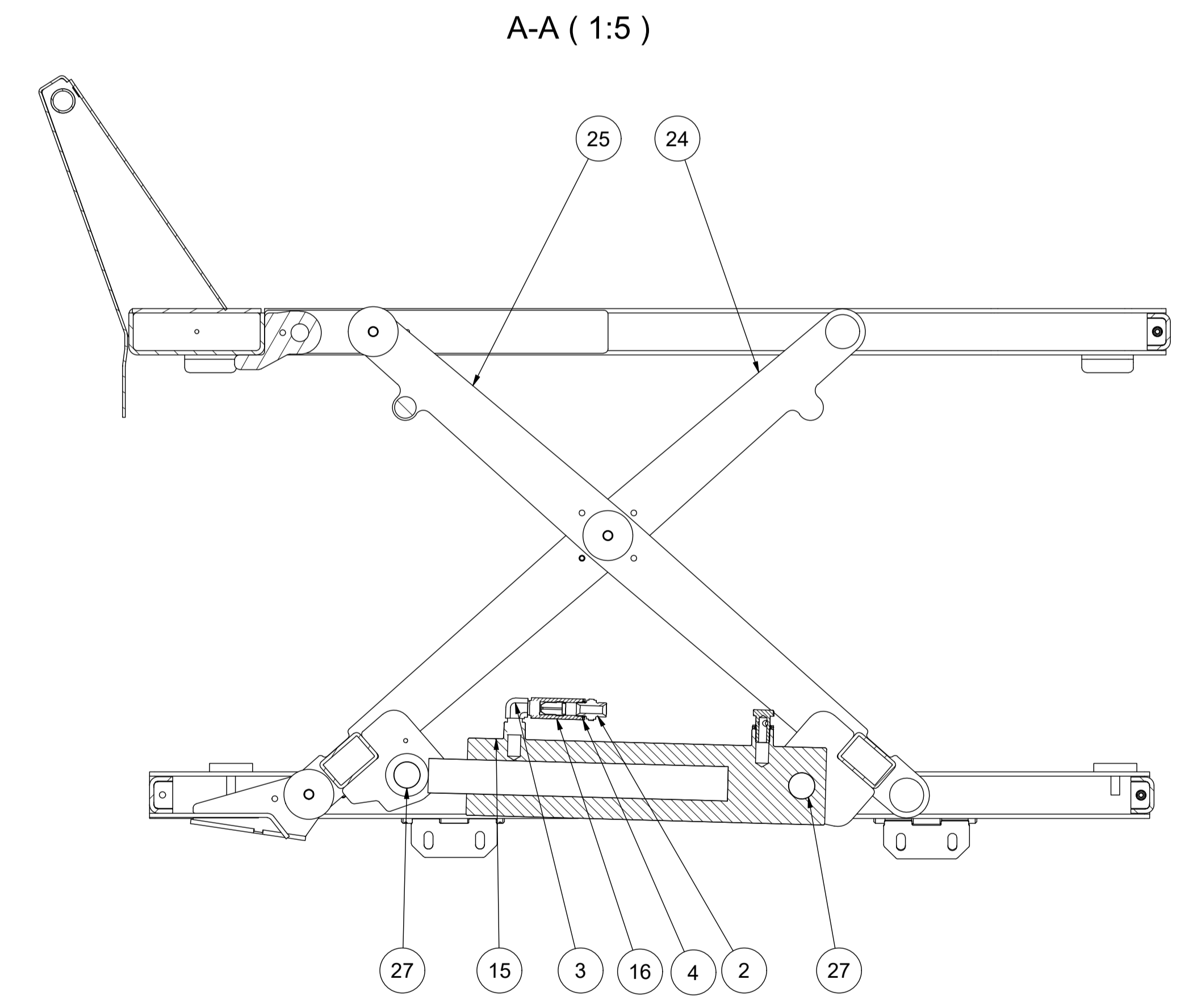
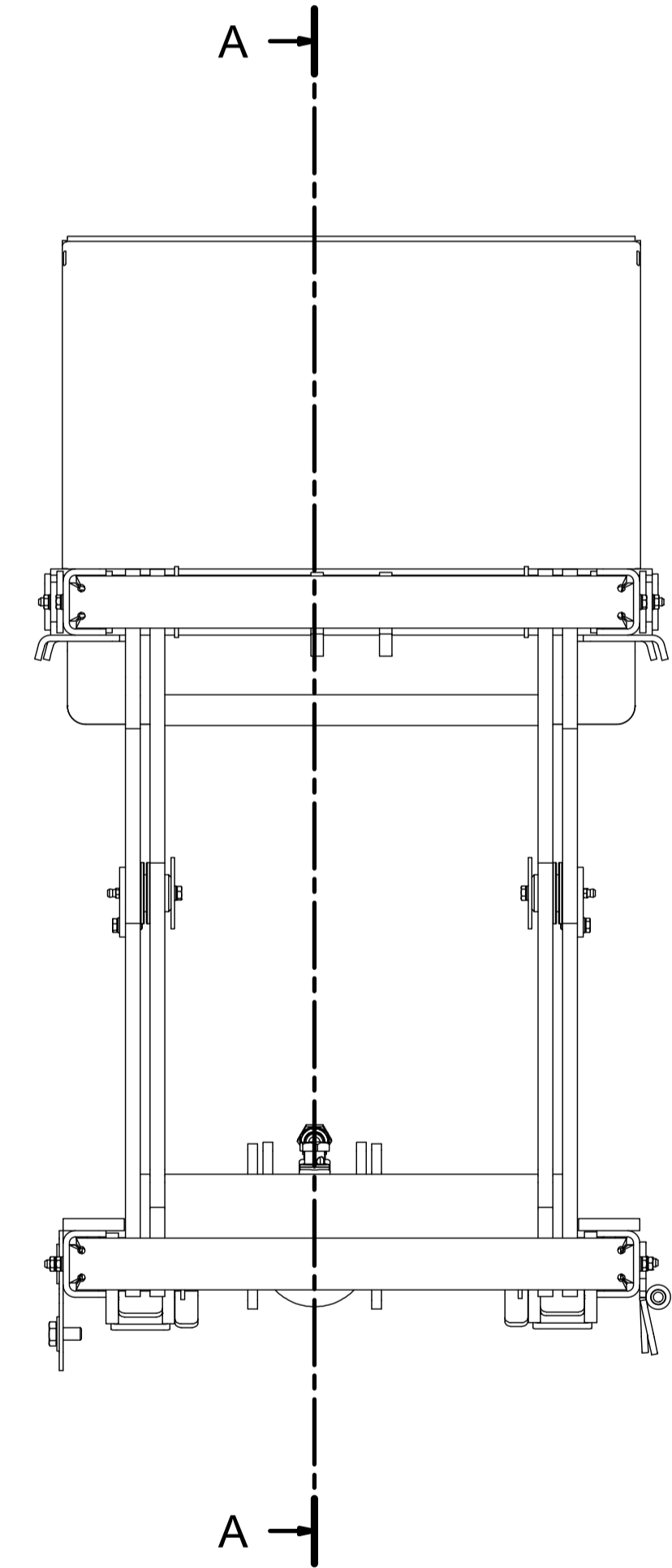
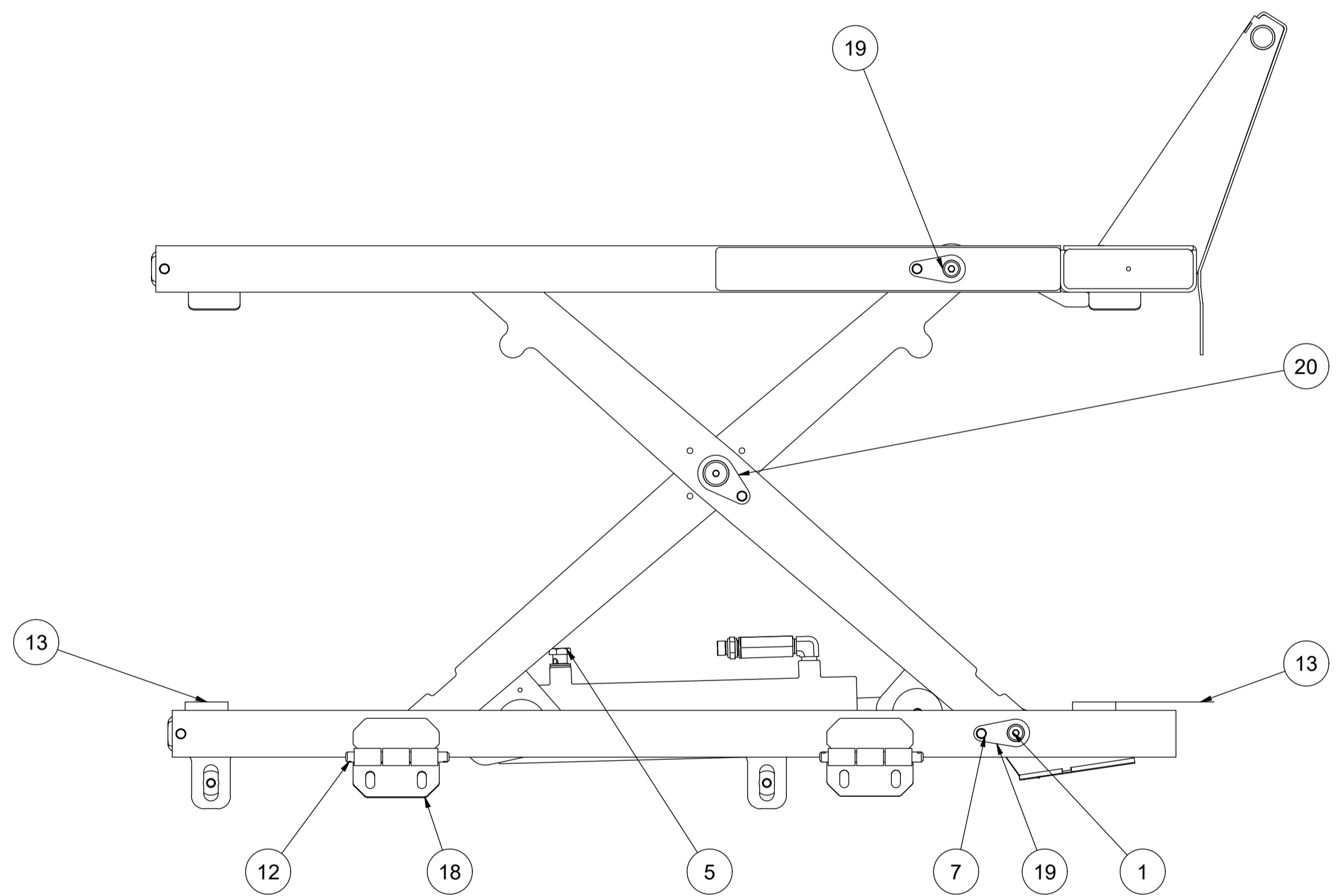
Break all edges

<small>This document is strictly confidential and must only be accounted for copied or disclosed to any third person.</small> <b>HEDENSTED GRUPPEN A/S</b>	 <b>HEDENSTED GRUPPEN</b>	Scale:	Not specified tolerance according to:	Sheet size:
		1 : 2	DS/ISO 2768-m	A3
Part No.:		Material:	Surface properties:	Sheet:
M102405			No	1 / 1
Description 1: Safety Clamp				
Description 2:				

Revision:	Approved	Date:	Revision Description
1	SK	2021-03-08	1506000 added



PARTS LIST			
ITEM	QTY	PART NUMBER	DESCRIPTION
1	6	423068	Grease nipple M6 straight
2	1	477100	Straight connector 3/8" x 3/8"
3	1	477105	Elbow 3/8"t x 3/8"t (M/M)
4	3	477163	Bopnded seal washer 3/8"
5	1	477222	Banjo bolt 3/8"
6	8	11406012	Hexagon bolt M6x12 FZB
7	4	11406016	Hexagon bolt M6x16 FZB
8	4	11406020	Hexagon bolt M6x20 FZB
9	4	11406025	Hexagon bolt M6x25 FZB
10	4	17906000	Self-locking nut M6 FZB
11	24	82106000	Washer M6 FZB
12	2	M16083	Axel for hinge
13	4	M16145	Rubber suspension
14	8	M16194	Bearing 42/20
15	1	M16197	Cylinder L min 460 +250
16	1	M16200	Hose leak valve
17	1	M16201	brake valve
18	2	M105283	Hinge part 2 complete
19	4	M105290	Axel lock complete
20	2	M105308	Axel lock complete 2
21	1	M105324	Bottom frame
22	2	M105326	End profile
23	1	M105329	Top frame
24	1	M105341	Sissor outhter complete out
25	1	M105343	Sissor inner complete inner
26	8	M105536	lock washer
27	2	M105537	Cylinder lock complete
28	2	11410020	Hexagon bolt M10x20 FZB
29	2	4811028	Washer SRKB Ø11x28x2 FZB
30	6	31007	Warning sign. Crushing
31	4	M16202	Yellow dot. sticker
32	4	M16203	Yellow dot. sticker
33	4	M16206	Fare for overklip

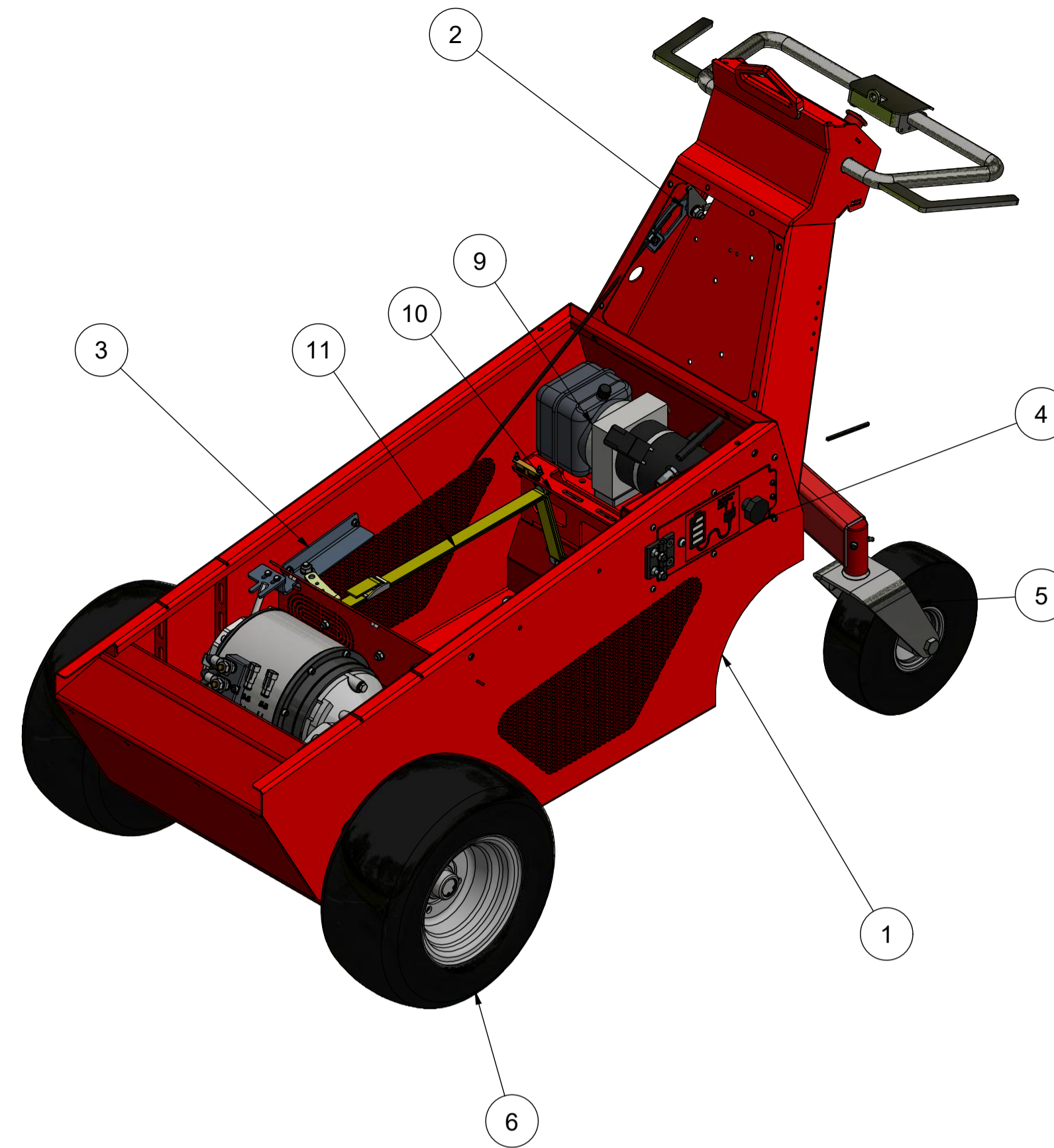
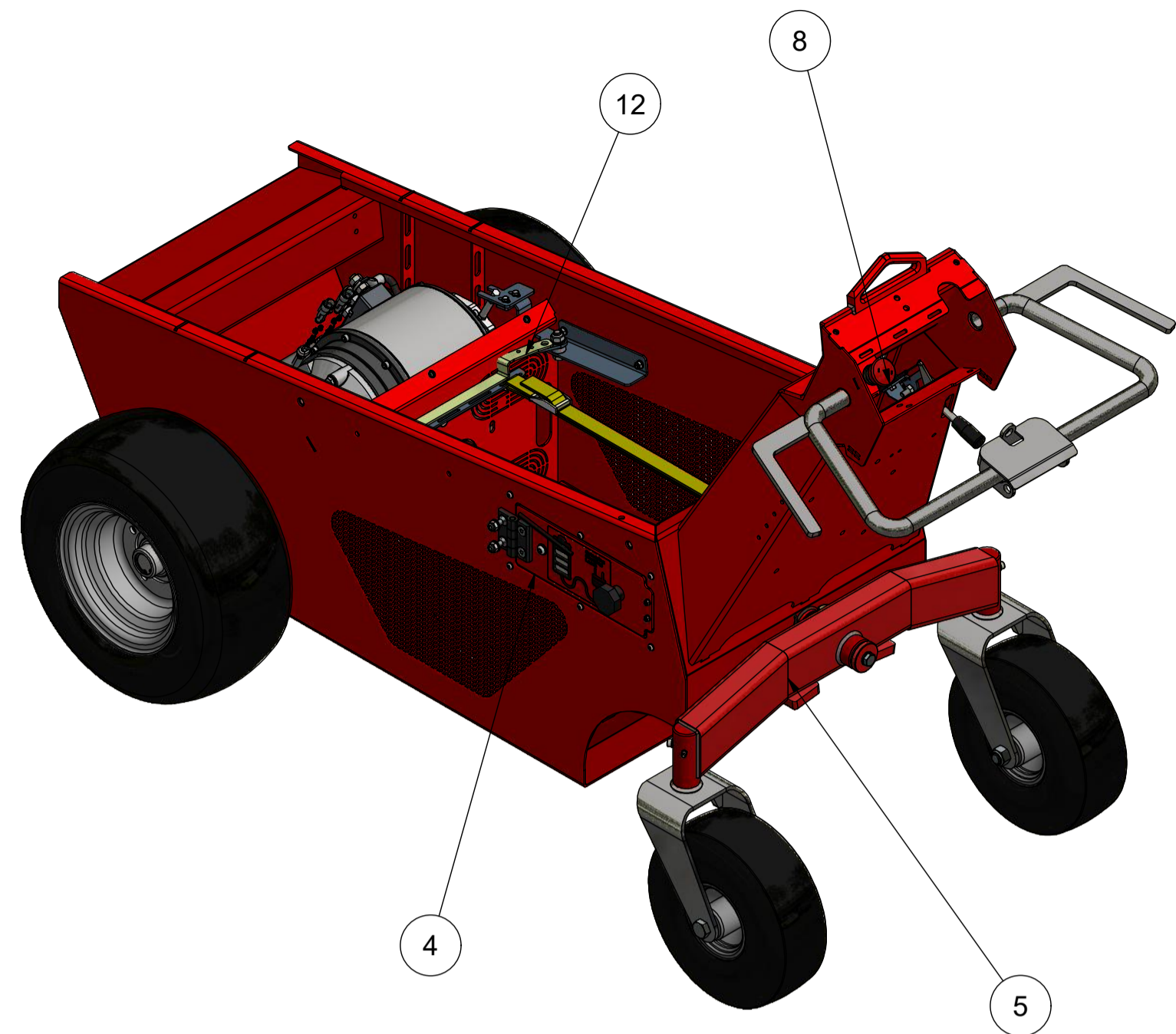


Revision	Approved	Date	Revision Description
9	LWJ	2023-11-16	The assembly drawing has been updated.

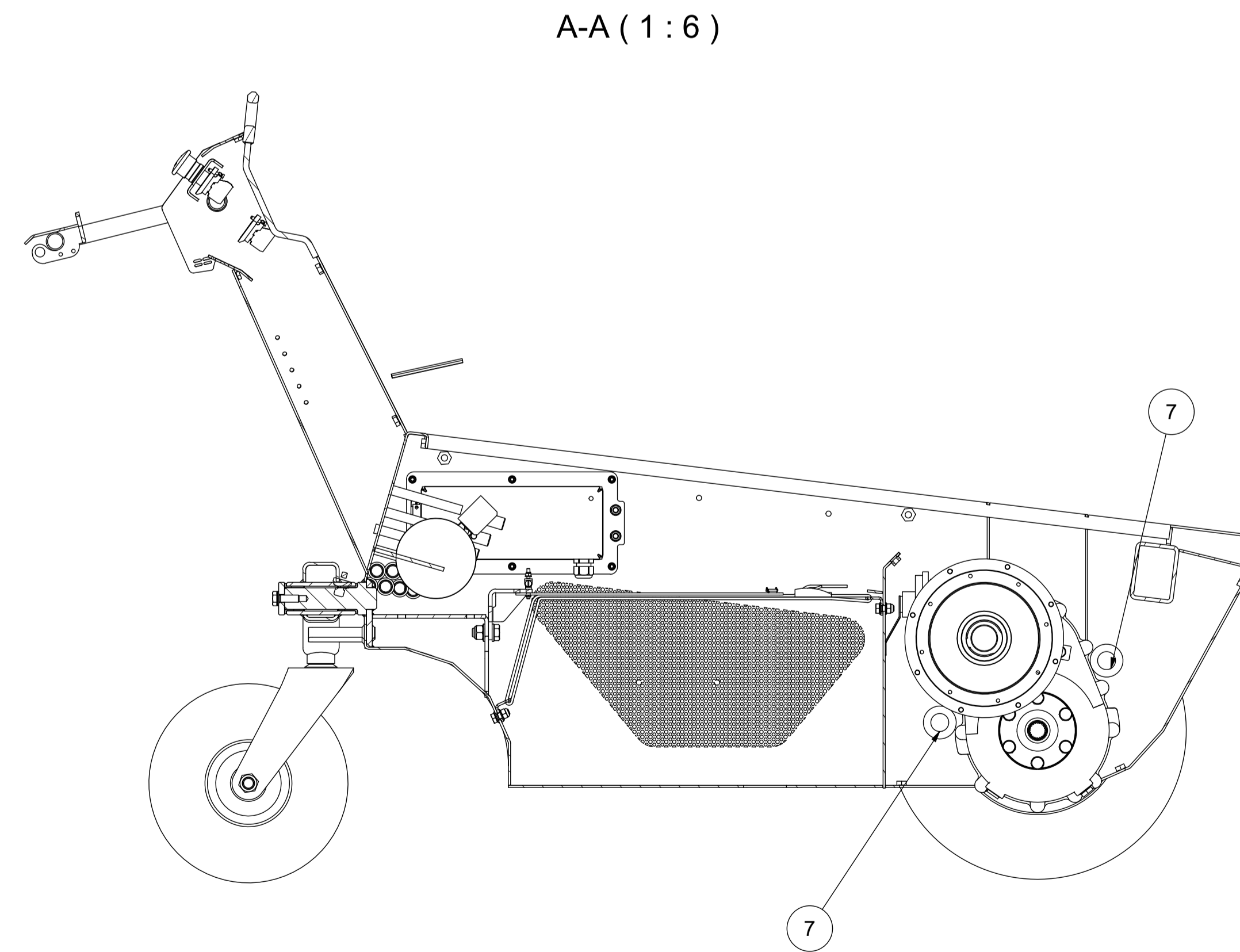
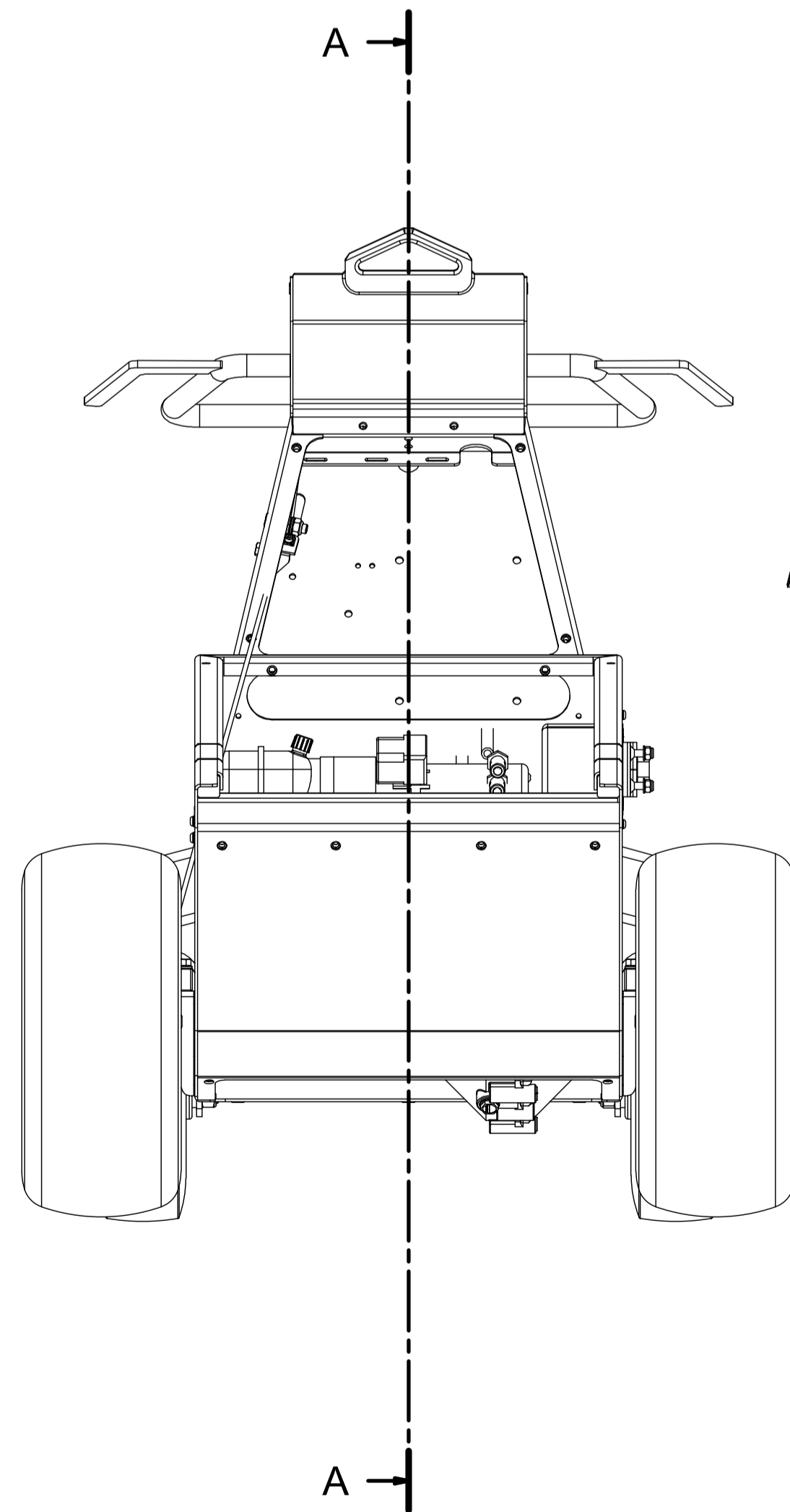
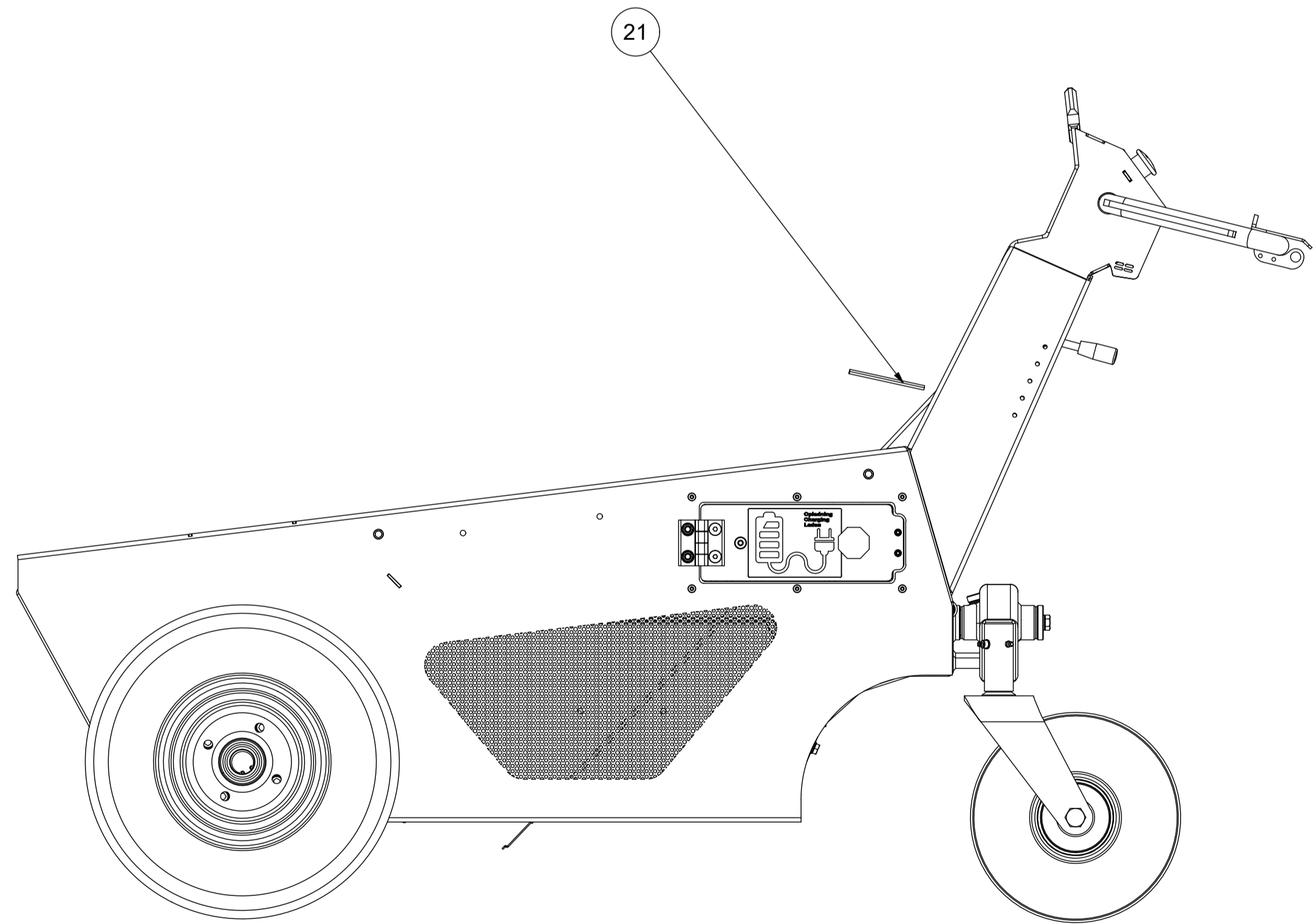
Break all edges

 <b>HG</b> HEDENSTED GRUPPEN	Scale: 1:5	Not specified tolerance according to: DS/ISO 2768-m	Sheet size: A1
	Surface properties: No	Material: 1 / 1	
Part No: M105346			
Description 1: Sissor for SSE and SS Hydra			
Description 2:			





PARTS LIST			
ITEM	QTY	PART NUMBER	DESCRIPTION
1	1	M105546	Superskub Sax E Chassis
2	1	M104451	Neutral selector assembly
3	1	M104456	Neutral release mechanism
4	1	M104496	Well assembly
5	1	M103970	Wheel suspension assembly
6	1	M104548	Trans axle assembly
7	2	M104500	Spacer rod for chassis
8	1	600100	Push button Emergency stop
9	1	M104581	HPU Assembly
10	1	M15757	M104584 Updated
11	1	M104587	Battery Lashings
12	1	M104811	Releasearm SSE
13	1	M104812	Cablearm for release SSE
14	1	423419	Cable clamp
15	1	M15867	Horn 24V
16	1	M15872	Hoses SSE
17	2	600375	Switch block ZB4BZ104 2NC
18	4	20408025	Hexagon countersunk head M8x25 FZB
19	4	82108000	Washer M8 FZB
20	4	17908000	Self-locking nut M8 FZB
21	0,83 m	423431	Edge protection strip



A-A ( 1 : 6 )

Revision	Approved	Date	Revision Description
9	LWJ	2023-11-16	The assembly drawing has been updated.

Break all edges

 <b>HG</b> HEHNSTEDT GRUPPEN <small>HEHNSTEDT GRUPE/VEJ AS</small>	Scale:	1 : 6	Not specified tolerance according to:	DS/ISO 2768-m	Sheet size:	A1	
	Surface properties:	No	Material:		Sheet:	1 / 1	
Part No.:		M105570		Description 1:			Grip/valves assembly Sax S.S Electric
				Description 2:			Sax Super Skub Electric





PARTS LIST			
ITEM	QTY	PART NUMBER	DESCRIPTION
1	1	423419	Cable clamp
2	1	423424	Handle, Ø21 cylindrical knob Ø10
3	1	423426	Gas/choke handle left
4	1	423437	Choker cable S.S. Hydra.
5	1	10205012	Hexagon cylinder head M5x12 FZB
6	1	11408025	Hexagon bolt M8x25 FZB
7	1	11410040	Hexagon bolt M10x40 FZB
8	1	17910000	Self-locking nut M10 FZB
9	1	81808000	Washer M8 A2
10	1	81810000	Washer M10 A2
11	1	82105900	Washer M5 FZB
12	1	82110000	Washer M10 FZB
13	2	89310080	Disc spring 20x10,5x0,8
14	1	M104452	Neutral selector bracket

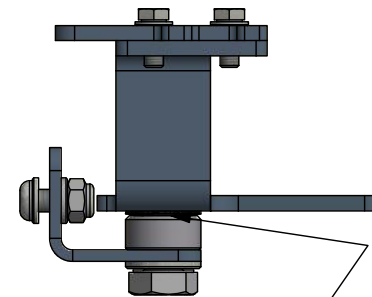
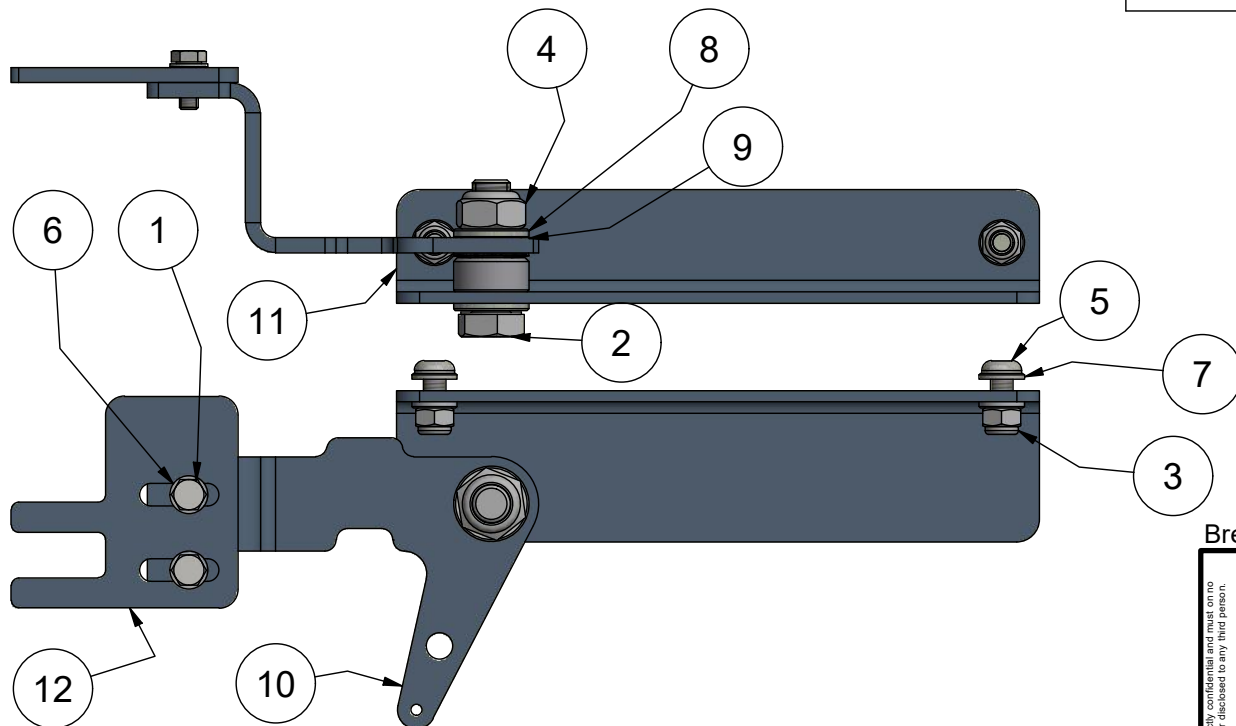
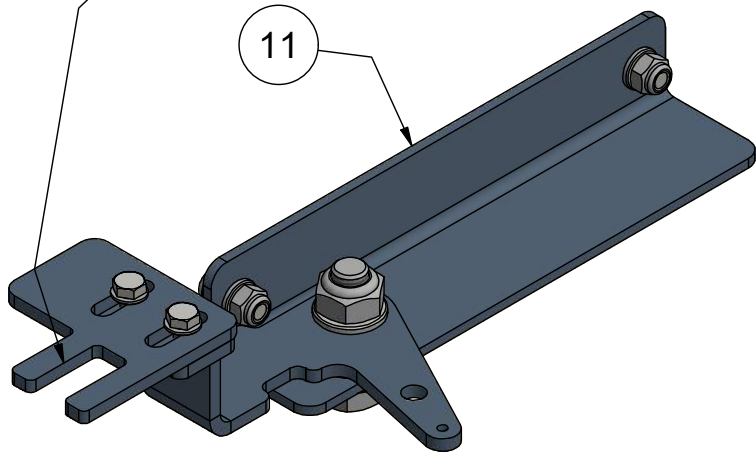
Break all edges

<small>The document is strictly confidential and must only be accounted for copied or disclosed to any third person.</small> <b>HEDENSTED GRUPPEN A/S</b>	<b>HG</b>	Scale:	Not specified tolerance according to:	Sheet size:
	<small>HEDENSTED GRUPPEN</small>	1:2	DS/ISO 2768-m	A3
	Part No.:		Surface properties:	Sheet:
	M104451		No	1 / 1
Description 1:		Neutral selector assembly		
Description 2:				

Revision:	Approved	Date:	Revision Description
2	AB	2020-03-23	part M104452 changed



Add rod to neutral mechanism on transaxle



Adjust for loose fit of ITEM 9  
Grease parts before assembly

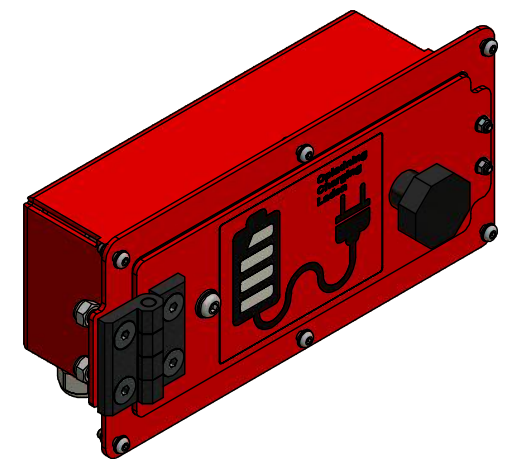
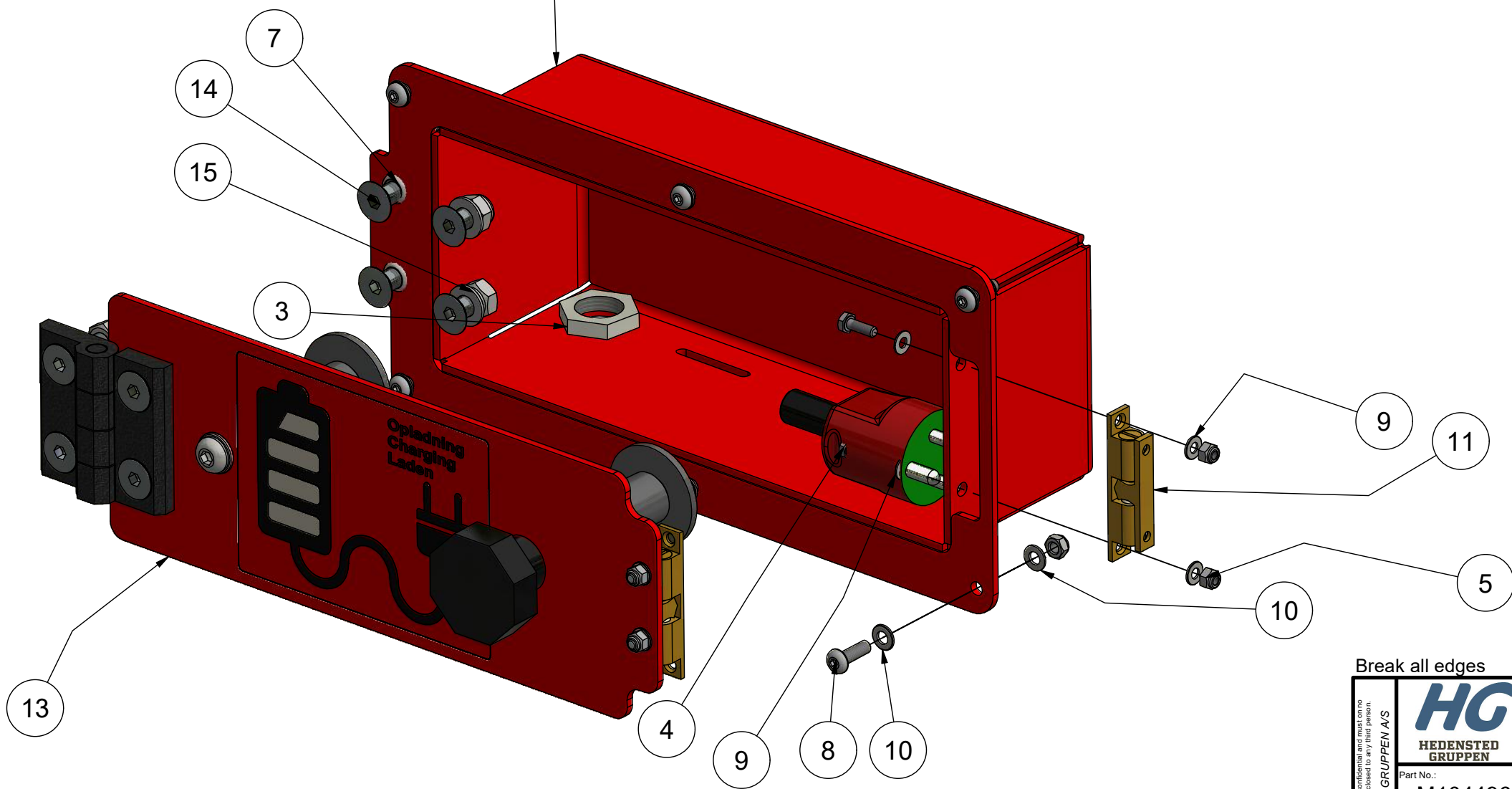
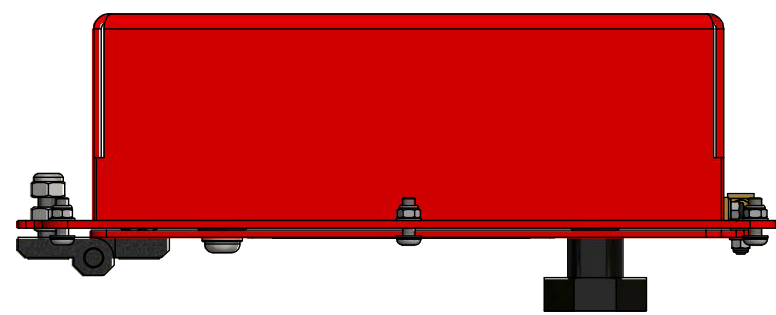
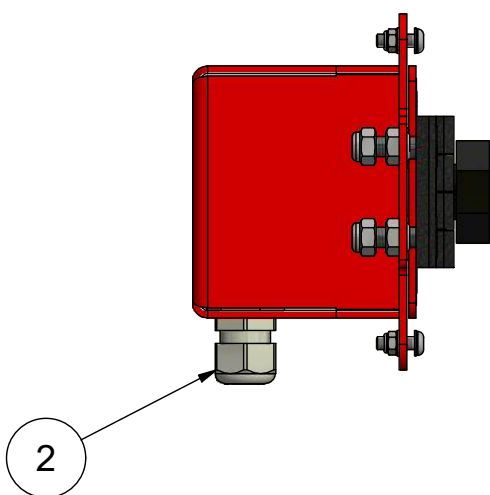
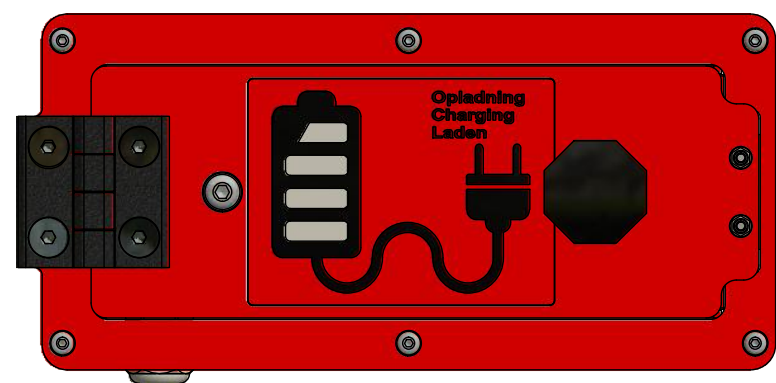
PARTS LIST

ITEM	QTY	PART NUMBER	DESCRIPTION
1	2	11405012	Hexagon bolt M5x12 FZB
2	1	11410035	Hexagon bolt M10x35 FZB
3	2	17906000	Self-locking nut M6 FZB
4	1	17910000	Self-locking nut M10 FZB
5	2	76006016	Buttonhead bolt M6x16 FZB
6	2	82105900	Washer M5 FZB
7	4	82106000	Washer M6 FZB
8	2	82110000	Washer M10 FZB
9	2	89310080	Disc spring 20x10,5x0,8
10	1	M104454	Neutral release arm
11	1	M104455	Neutral release Weldment
12	1	M104673	Neutral release arm support

Break all edges

This document is strictly confidential and must on no account be copied or disclosed to any third person. <b>HEDENSTED GRUPPEN A/S</b>	<b>HG</b>	Scale: <b>1 : 2</b>	Not specified tolerance according to: <b>DS/ISO 2768-m</b>	Sheet size: <b>A4</b>
	<b>HEDENSTED GRUPPEN</b>		Surface properties: <b>No</b>	Sheet: <b>1 / 1</b>
	Part No.: <b>M104456</b>	Material:		
	Description 1: <b>Neutral release mechanism</b>			
Description 2:				

Revision:	Approved	Date:	Revision Description
4	LWJ	2023-03-16	Drawing updated



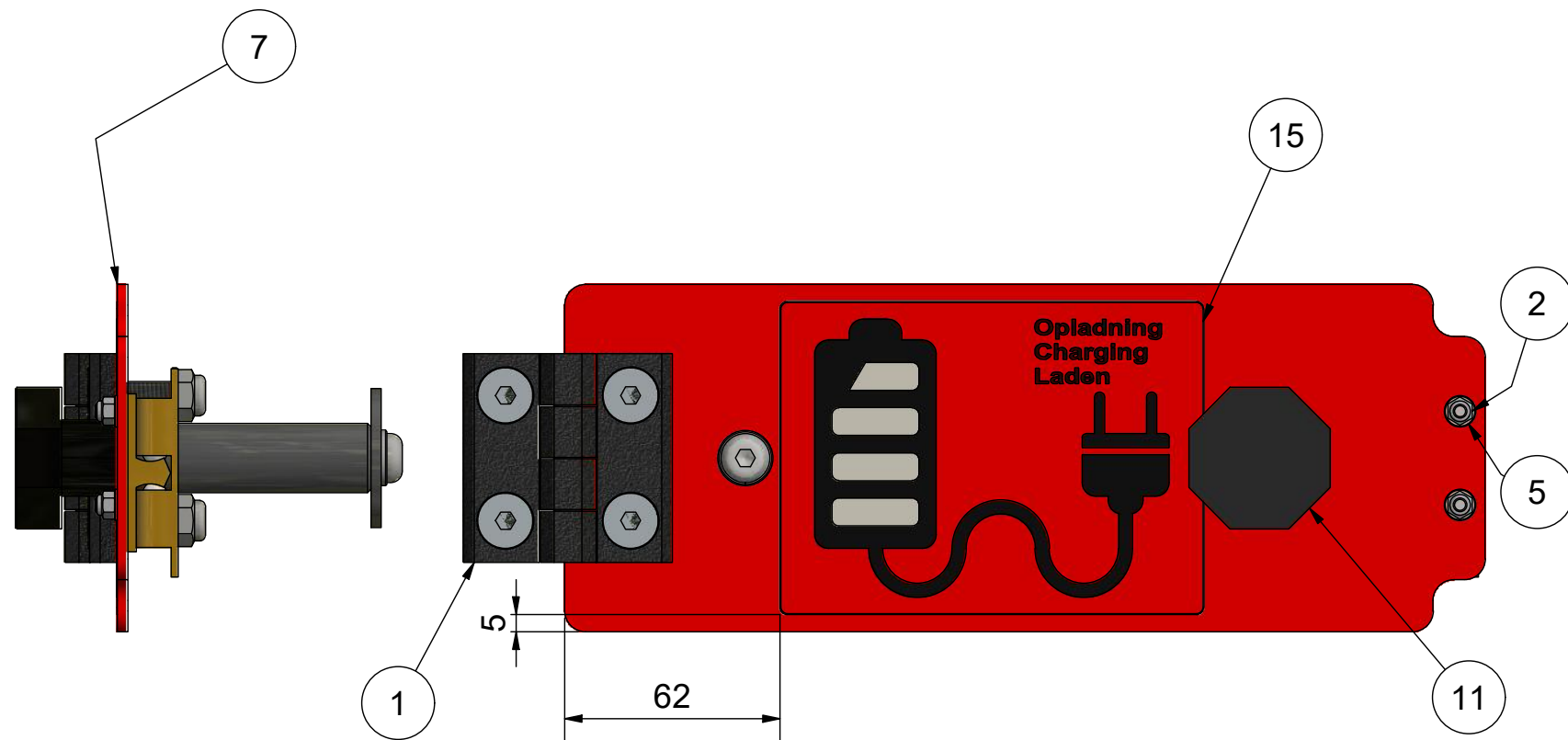
PARTS LIST			
ITEM	QTY	PART NUMBER	DESCRIPTION
1	1	600252	Plug male 3P/16A/250V red/green
2	1	600455	Cabel gland M20 Ø5-12
3	1	600475	Cable gland nut polyamid M20
4	2	11104012	Hexagon bolt M4x12 FZB
5	2	17904000	Self-locking nut M4 FZB
6	6	17905000	Self-locking nut M5 FZB
7	4	17908000	Self-locking nut M8 FZB
8	6	76005016	Buttonhead bolt M5x15 FZB
9	4	82104000	Washer M4 FZB
10	12	82105900	Washer M5 FZB
11	1	M104504	Ball Catch
12	1	M104505	Well Assembly
13	1	M104506	Cover assembly
14	4	20408020	Hexagon countersunk head M8x20 FZB
15	4	82108000	Washer M8 FZB

Revision:	Approved	Date:	Revision Description
4	LWJ	2023-03-16	Drawing updated

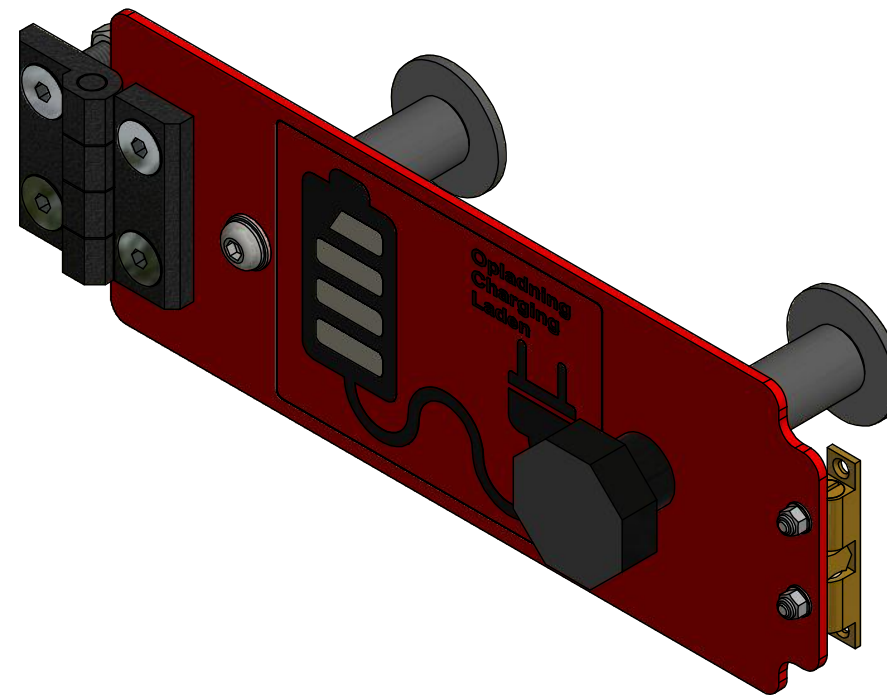
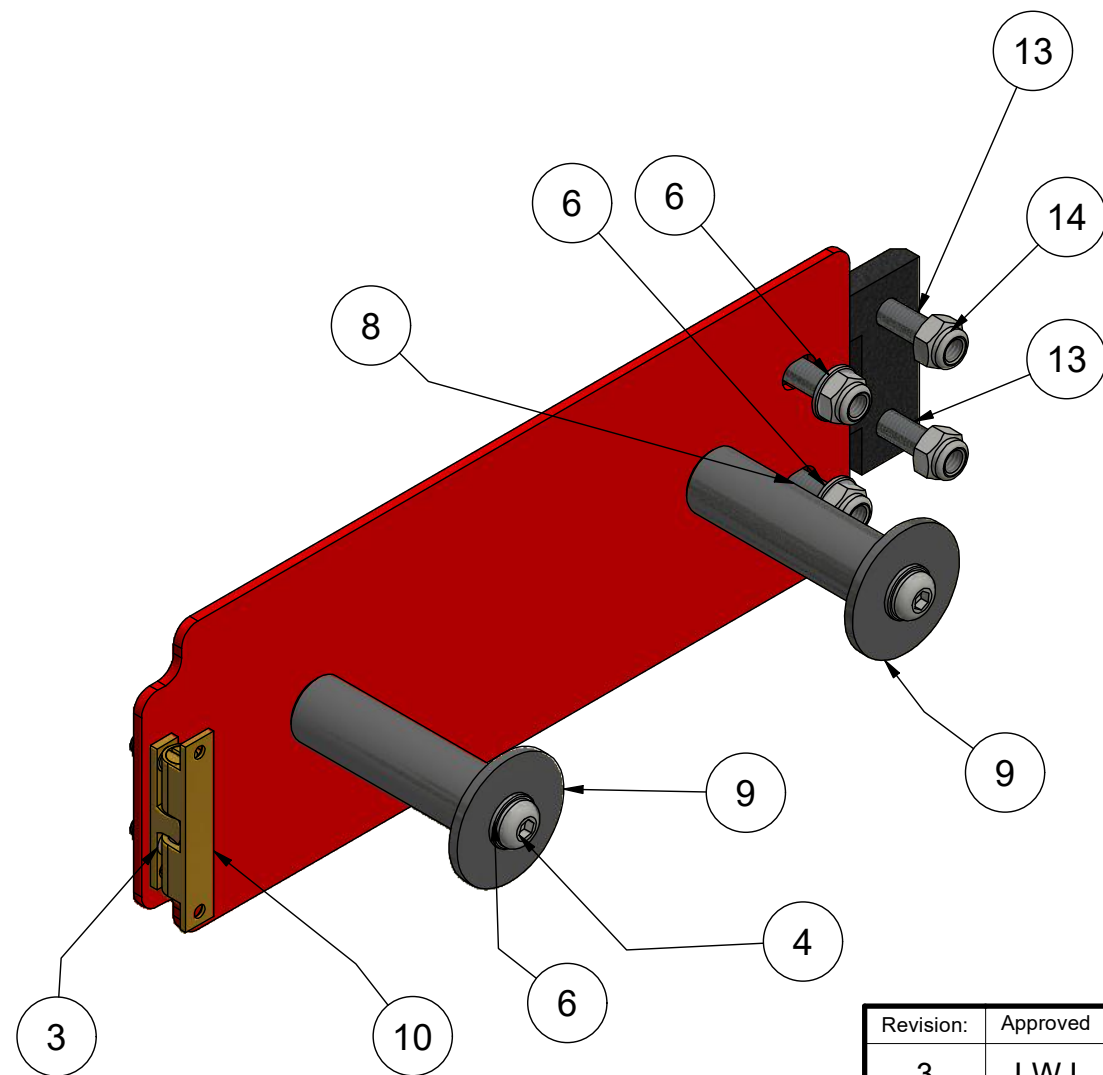
Break all edges

 <b>HEDENSTED GRUPPEN A/S</b>	Scale:	Not specified tolerance according to:	Sheet size:
	1 : 3	DS/ISO 2768-m	A3
Part No.:	Surface properties:		Sheet:
M104496	No		1 / 1
Description 1:			
Well assembly			
Description 2:			





PARTS LIST			
ITEM	QTY	PART NUMBER	DESCRIPTION
1	1	207940	Hinge 60 x 60mm alu
2	2	17904000	Self-locking nut M4 FZB
3	2	20404012	Hexagon countersunk head M4x12 FZB
4	3	76008016	Buttonhead bolt M8x16 FZB
5	2	82104000	Washer M4 FZB
6	5	82108000	Washer M8 FZB
7	1	M104495	Cover Plate
8	2	M104497	Stud for well
9	2	M104498	Cord stopper
10	1	M104504	Ball Catch
11	1	M104809	Star handle 44 mm, M8x20
13	4	20408025	Hexagon countersunk head M8x25 FZB
14	4	17908000	Self-locking nut M8 FZB
15	1	M104699	Charging label DE, GB and DK



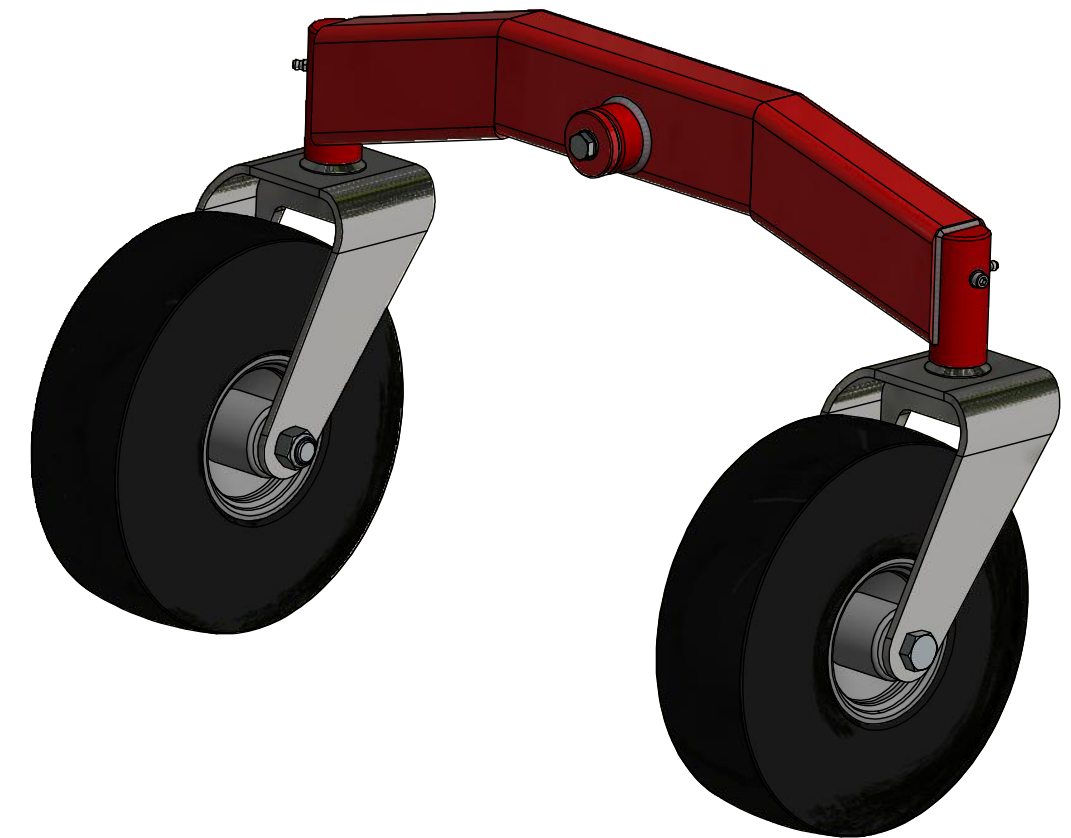
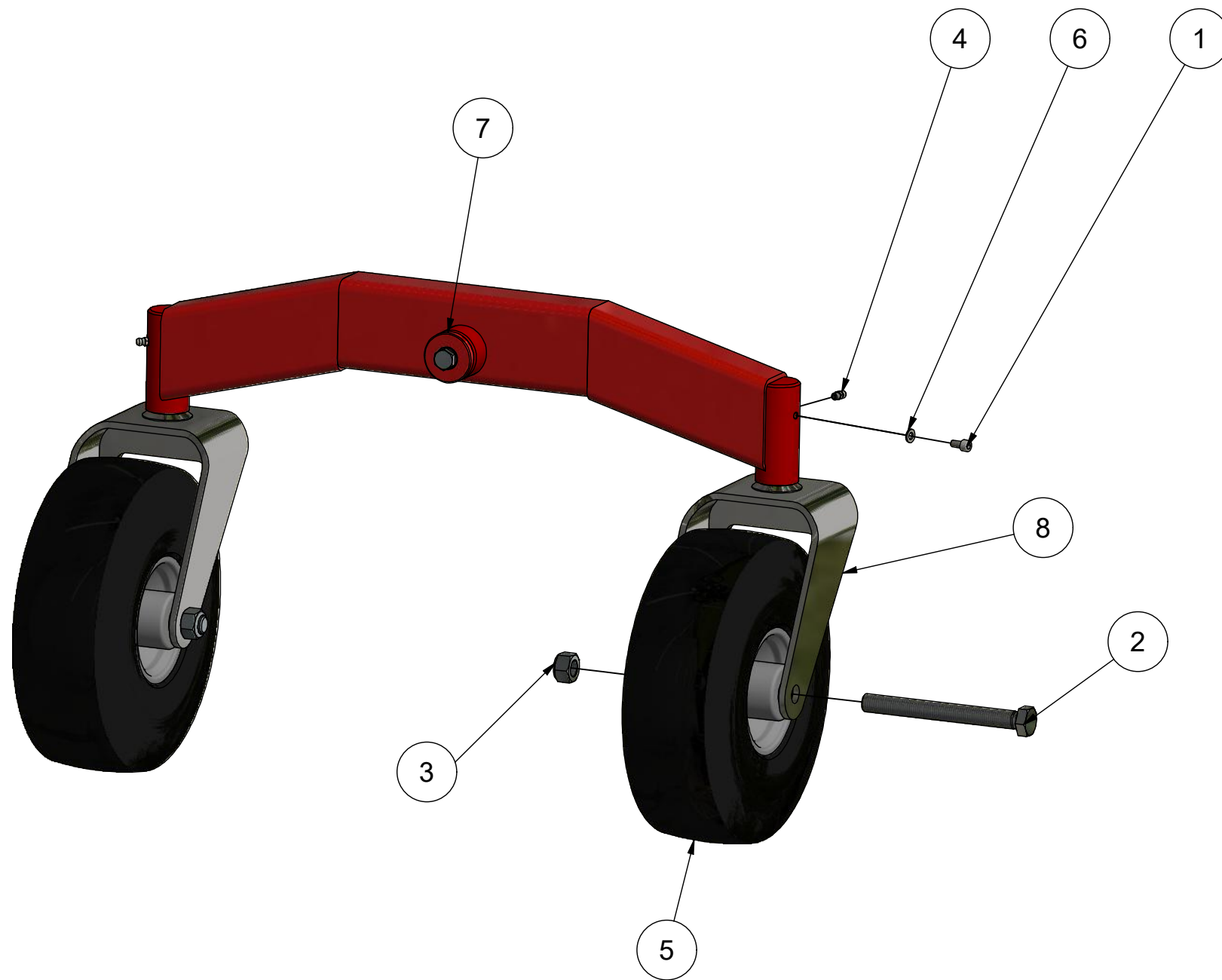
Break all edges

This document is strictly confidential and must not be accounted for copied or disclosed to any third person. HEDENSTED GRUPPEN A/S	 <b>HEDENSTED GRUPPEN</b>	Scale: <b>1 : 2</b>	Not specified tolerance according to: <b>DS/ISO 2768-m</b>	Sheet size: <b>A3</b>
	Part No.: <b>M104506</b>	Material:	Surface properties: <b>No</b>	Sheet: <b>1 / 1</b>
	Description 1: <b>Cover assembly</b>			
	Description 2:			


Revision:	Approved	Date:	Revision Description
3	LWJ	2022-09-22	Label M104699 added

PARTS LIST

ITEM	QTY	PART NUMBER	DESCRIPTION
1	2	10206012	Hexagon cylinder head M6x12 FZB
2	2	11416150	Hexagon bolt M16x150 FZB
3	2	17916000	Self-locking nut M16 FZB
4	2	423068	Grease nipple M6 straight
5	2	423466	Tire with rim Ø268xØ12,5x120
6	2	82106000	Washer M6 FZB
7	1	M104618	Wheel suspension
8	2	M16039	Fork for wheel HD



Break all edges

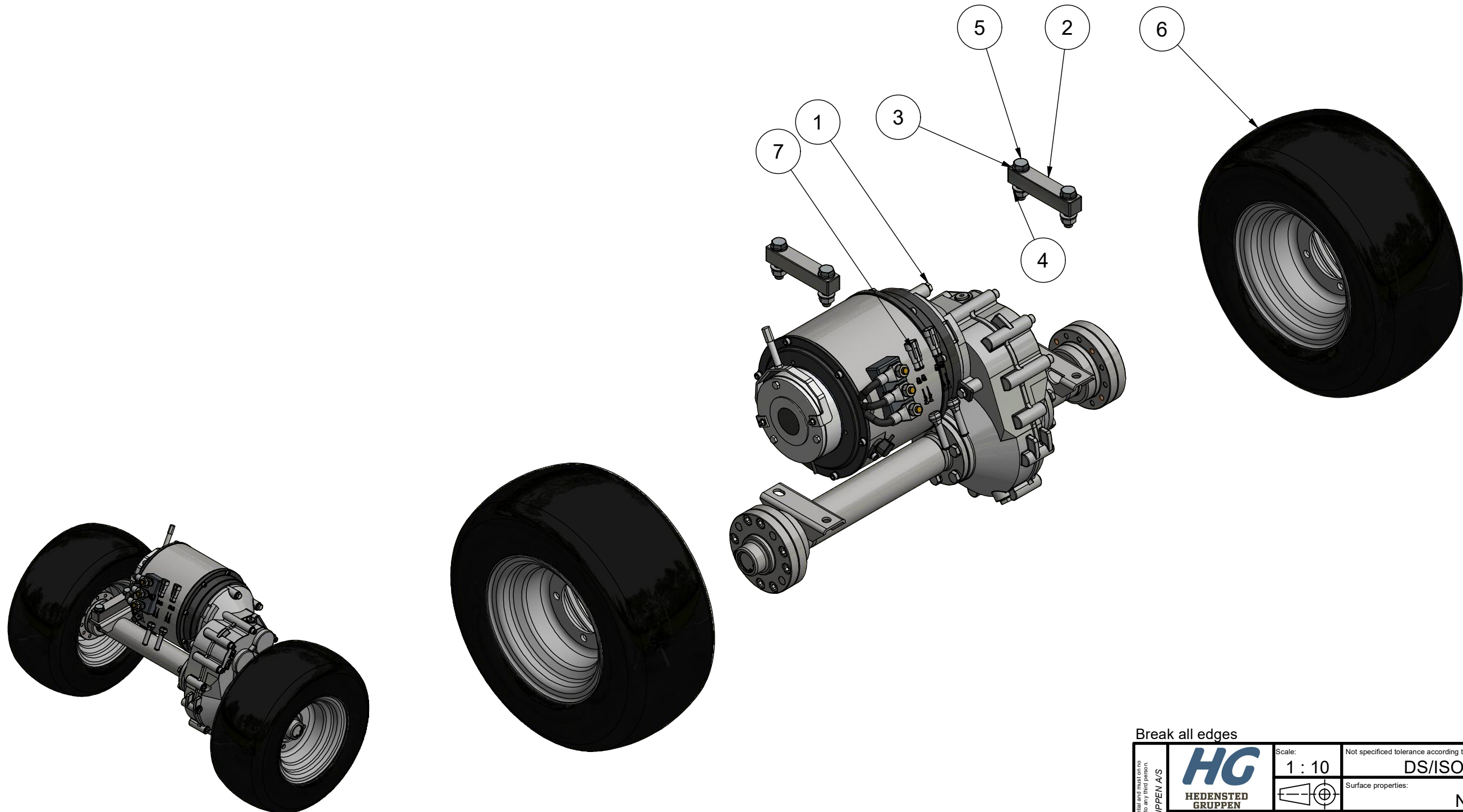
The documents are confidential and must be kept in account by copied or disclosed to any third person. HEDENSTED GRUPPEN A/S	 <b>HEDENSTED GRUPPEN</b>	Scale: 1 : 5	Not specified tolerance according to: DS/ISO 2768-m	Sheet size: A3
	Part No.: M103970	Material:	Surface properties: No	Sheet: 1 / 1
	Description 1: Wheel suspension assembly			
	Description 2:			

Revision:	Approved	Date:	Revision Description
3	AB	2020-09-21	423465 changed to M16039



PARTS LIST

ITEM	QTY	PART NUMBER	DESCRIPTION
1	1	M103882	Transaksel 1:20 2,0kW
2	2	M104549	Tension bracket
3	8	82112000	Washer M12 FZB
4	4	17912000	Self-locking nut M12 FZB
5	4	11412055	Hexagon bolt M12x55 FZB
6	2	M104570	Wheel 18x7.00-8/6 TL TR360 4/60/100 silve
7	2	M104985	SUPERSEAL 2 PIN PLUG



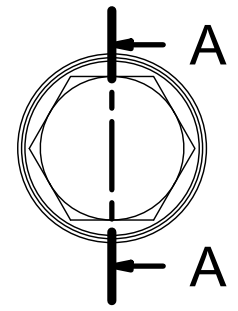
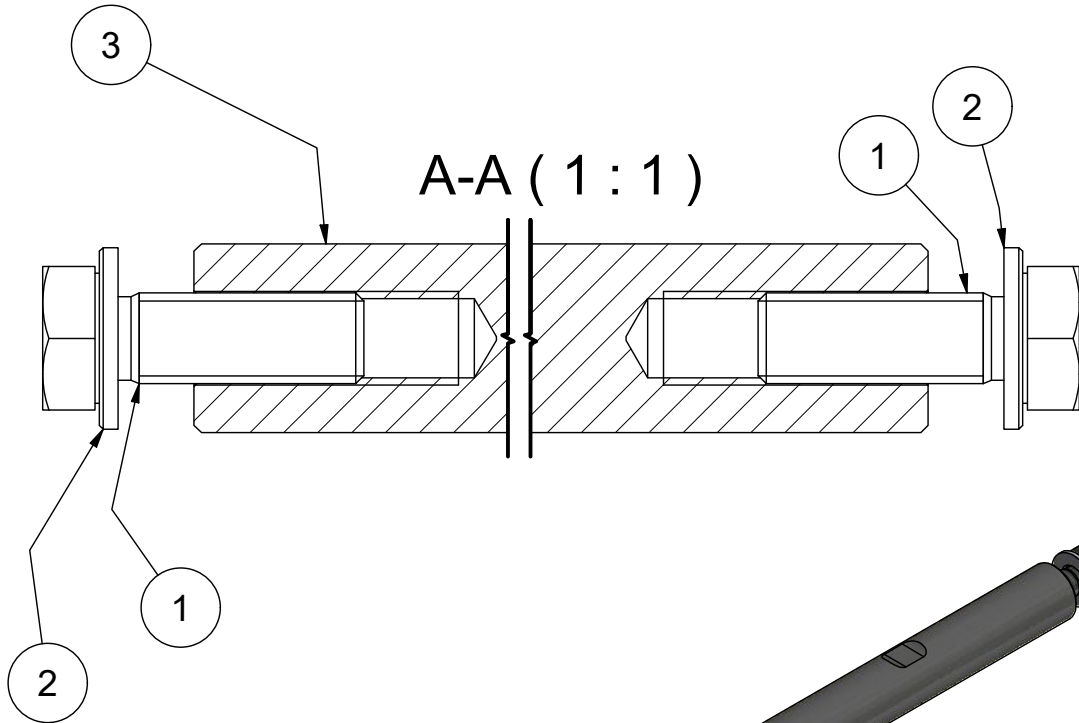
Break all edges

The document is strictly confidential and must not be accounted for copied or disclosed to any third person. <b>HEDENSTED GRUPPEN A/S</b>	<b>HG</b>	Scale:	Not specified tolerance according to:	Sheet size:
	HEDENSTED GRUPPEN	1 : 10	DS/ISO 2768-m	A3
	Part No.:		Surface properties:	Sheet:
	M104548		No	1 / 1
Description 1:		Material:		
Trans axle assembly				
Description 2:				

Revision:	Approved	Date:	Revision Description
2	SK	2021-03-11	M104985 added

PARTS LIST

ITEM	QTY	PART NUMBER	DESCRIPTION
1	2	11412035	Hexagon bolt M12x35 FZB
2	2	82112000	Washer M12 FZB
3	1	M104499	Spacer rod

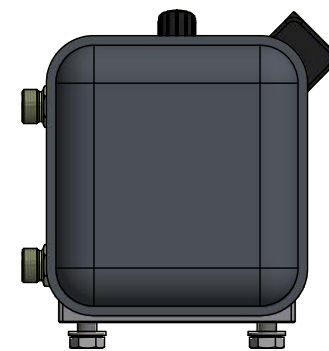
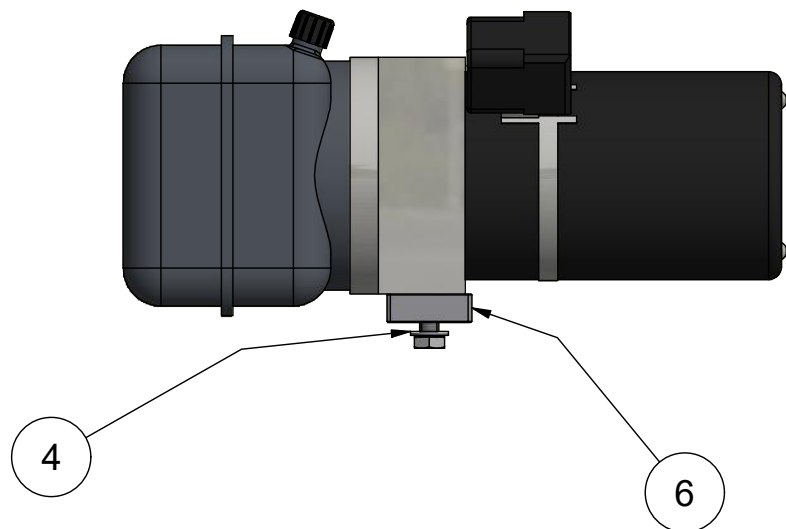
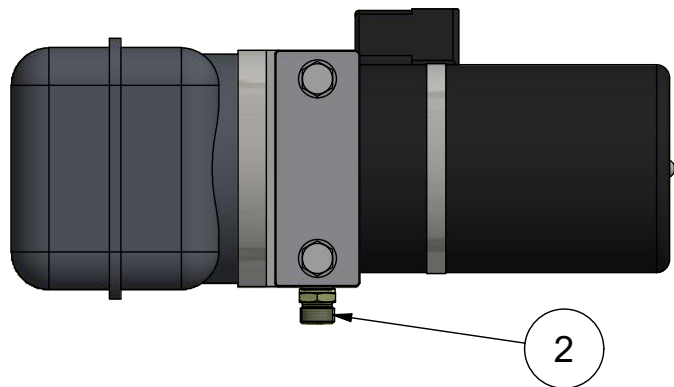
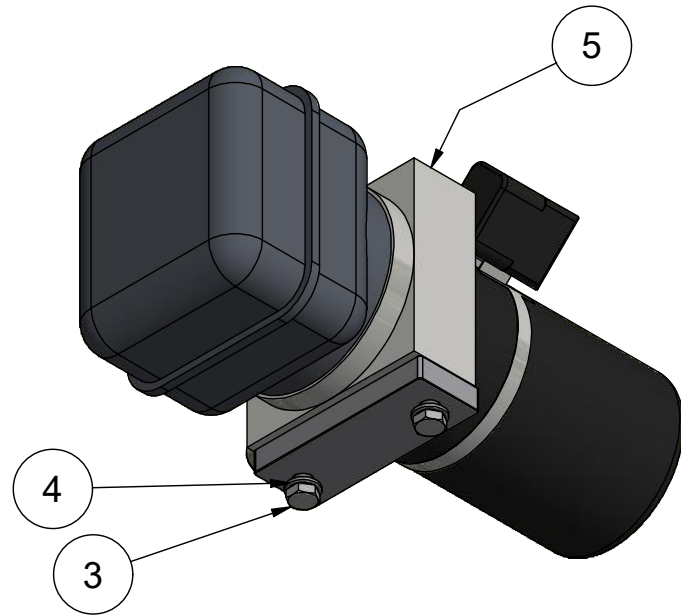


Break all edges

This document is strictly confidential and must on no account be copied or disclosed to any third person. <b>HEDENSTED GRUPPEN A/S</b>	<b>HG</b>	Scale: <b>1 : 1</b>	Not specified tolerance according to: <b>DS/ISO 2768-m</b>	Sheet size: <b>A4</b>
	<b>HEDENSTED GRUPPEN</b>		Surface properties: <b>No</b>	Sheet: <b>1 / 1</b>
	Part No.: <b>M104500</b>	Material:		
	Description 1: <b>Spacer rod for chassis</b>			
Description 2:				

Revision:	Approved	Date:	Revision Description
1	SK	2021-05-18	Material changed to Galvanize steel






Item not shown

PARTS LIST

ITEM	QTY	PART NUMBER	DESCRIPTION
1	2,0 l	476721	Hydraulic oil Q8 handel 46
2	2	477110	Straight connector w. gasket Ø12L x 1/4"
3	2	11410035	Hexagon bolt M10x35 FZB
4	2	81810000	Washer M10 A2
5	1	M103900	Power bag
6	1	M104579	Assembly Tab for HPU

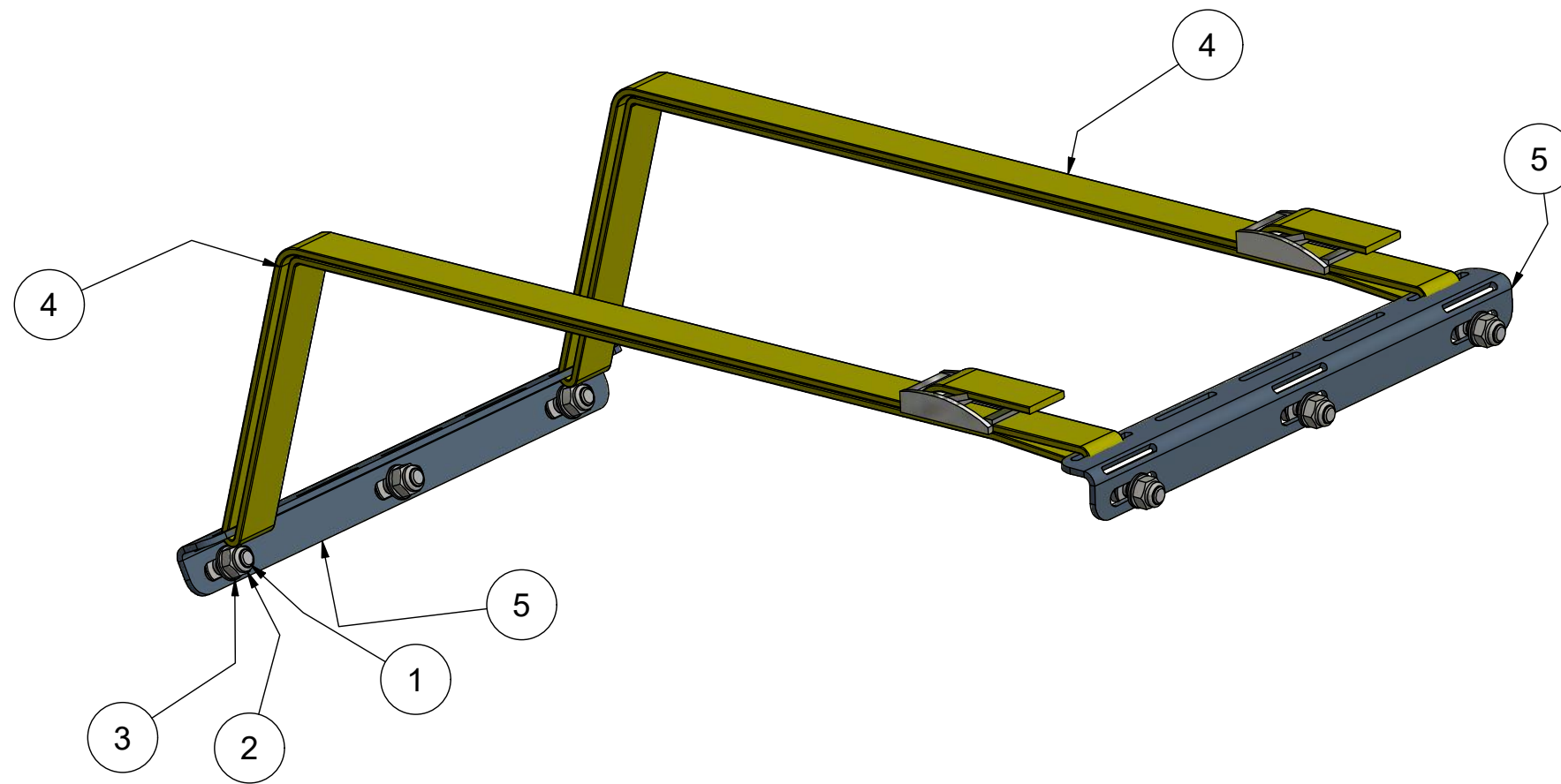
Break all edges

<small>This document is strictly confidential and must only be accounted for copied or disclosed to any third person.</small> <b>HEDENSTED GRUPPEN A/S</b>	 <b>HEDENSTED GRUPPEN</b>	Scale: <b>1 : 4</b>	Not specified tolerance according to: <b>DS/ISO 2768-m</b>	Sheet size: <b>A3</b>
	Part No.: <b>M104581</b>	Material:	Surface properties: <b>No</b>	Sheet: <b>1 / 1</b>
	Description 1: <b>HPU Assembly</b>			
	Description 2:			

Revision:	Approved	Date:	Revision Description
2	AB	2020-03-25	Part 477110 and 2L 476721 added

Model only for illustration  
 Drilling of 6 x Ø8,5 holes needed for installation  
 Mount components according to size of specific battery package

PARTS LIST			
ITEM	QTY	PART NUMBER	DESCRIPTION
1	6	11408020	Hexagon bolt M8x20 FZB
2	6	17908000	Self-locking nut M8 FZB
3	12	82108000	Washer M8 FZB
4	2	M104473	Lashing strap 25 mm, 2 meter, 200 kg
5	2	M104516	Bracket for cargo strap



Break all edges

The documents are confidential and must only be used for the account they were created for or disclosed to any third person. <b>HEDENSTED GRUPPEN A/S</b>	<b>HG</b>	Scale:	Not specified tolerance according to:	Sheet size:
	<b>HEDENSTED GRUPPEN</b>	1 : 3	DS/ISO 2768-m	A3
	Part No.:		Surface properties:	Sheet:
	M104587		No	1 / 1
Material:		Description 1:		
		Battery Lashings		
		Description 2:		

Revision:	Approved	Date:	Revision Description
3	SK	2021-05-19	M104473 removed 1pc