

## 1 Cautions before Installation (This may differ from the product specification.)

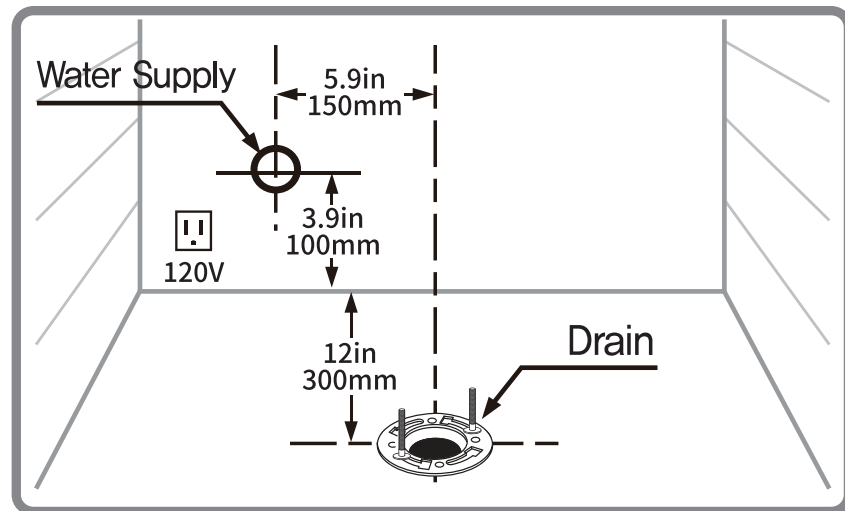
① Installation • Secure enough installation space in the bathroom and check whether it disturbs the bathroom door.

### Space

- Secure water outlet at least 100mm away from the floor.
- It can cause the discoloration of wall.

\* If you have shorter rough in than 11", you can use an offset flange for installation.

Floor  
Drain  
installation  
space



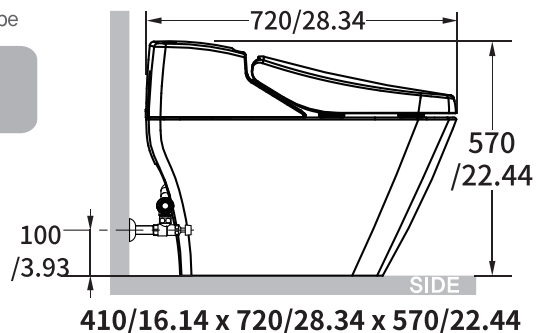
### Water Pressure

1. Minimum 1.5 kgf/cm<sup>2</sup> (0.15 MPa) water pressure is required. If the pressure is not secured, please be aware that the flushing may not work properly to discharge the dirt.
2. Even if other modifiers are used at the same time, it still requires more than the minimum required water pressure. The maximum water pressure is 7.5 kgf/cm<sup>2</sup> (0.75 MPa).

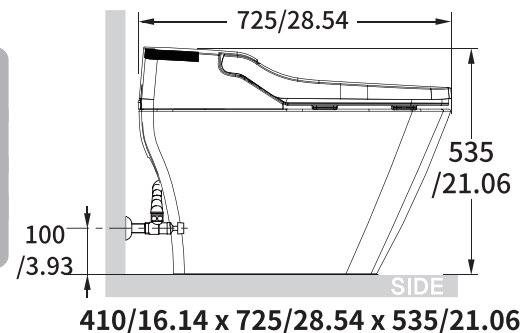
## 2 Drawing for Installation (unit : mm / in)

Remote control Type

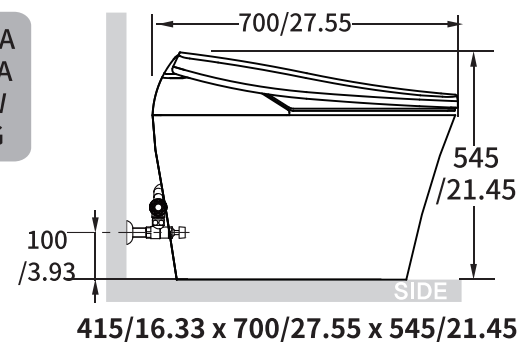
PB-707S  
PB-101S



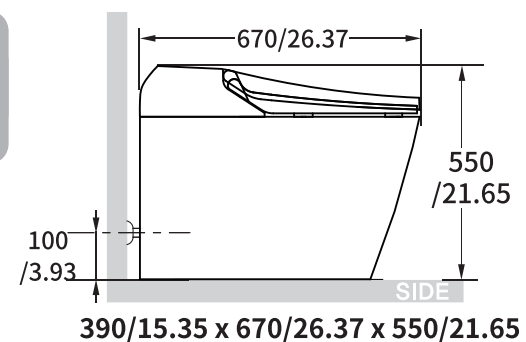
TCB 090SA  
TCB 090S  
RTB 090WA  
RTB 090W  
TC-090  
TC-090W



TCB 9100WA  
TCB 9100GA  
TCB 9100W  
TCB 9100G



TCB 8100B  
TCB 8100W  
TCB 8200SA  
TCB 8200S



## 3 FAQ

**Q:** What is electrical requirements? Is it energy efficient?

**A:** 6 Amps at 120V, 60 Hz is necessary for this item.

A separate circuit breaker is recommended.

It has a power save mode which uses least amount of energy.

**Q:** Power save LED light is keep flashing. (Turned off and on)

**A:** Please open the valve, please check the water has entered to the bidet.

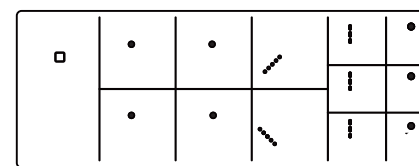
If it still flashes, please try reset.

**(Unplug the cord and plug it back after 30 seconds)**

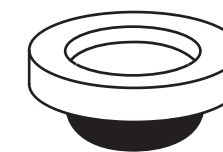
**Q:** How long is the cord?

**A:** 4ft (1.2m).

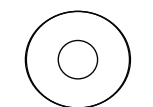
## 4 Installation Accessories



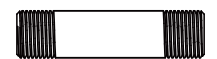
Remote control  
Each product may use a different remote controller.



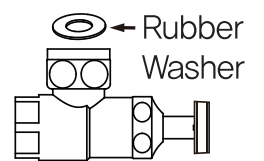
Wax Ring



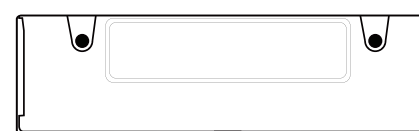
Ring Plate



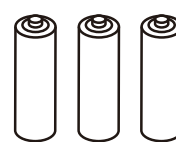
Water Pipe



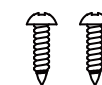
Rubber Washer  
Water Shutoff Valve (1/2" x 5/8")



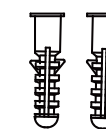
Wall Mount



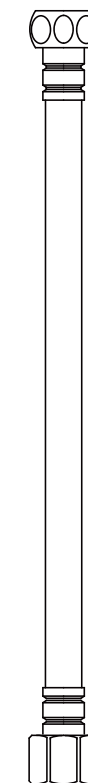
AA Batteries (x3)



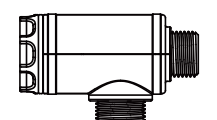
Screws (x2)



Anchors (x2)



Water Hose (Thick)  
(1" x 5/8")



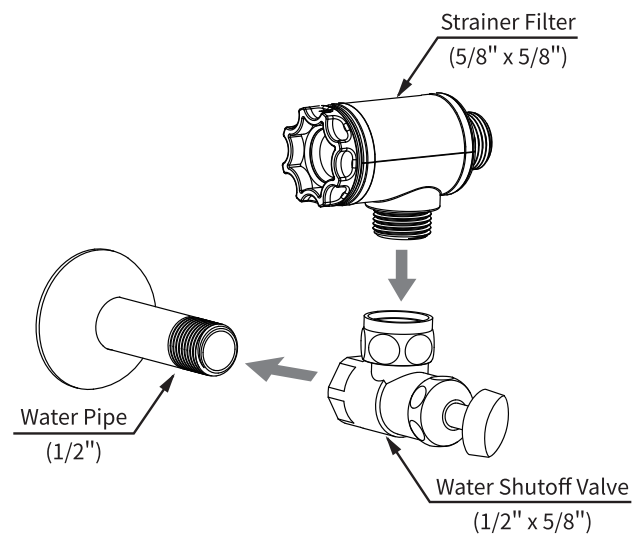
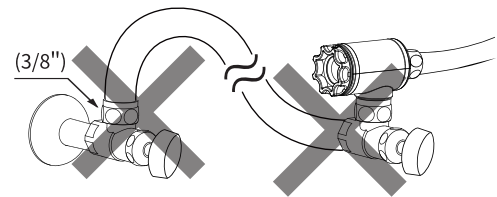
Strainer Filter  
(5/8" x 5/8")

## 5 Installation (This may differ from the product specification.)

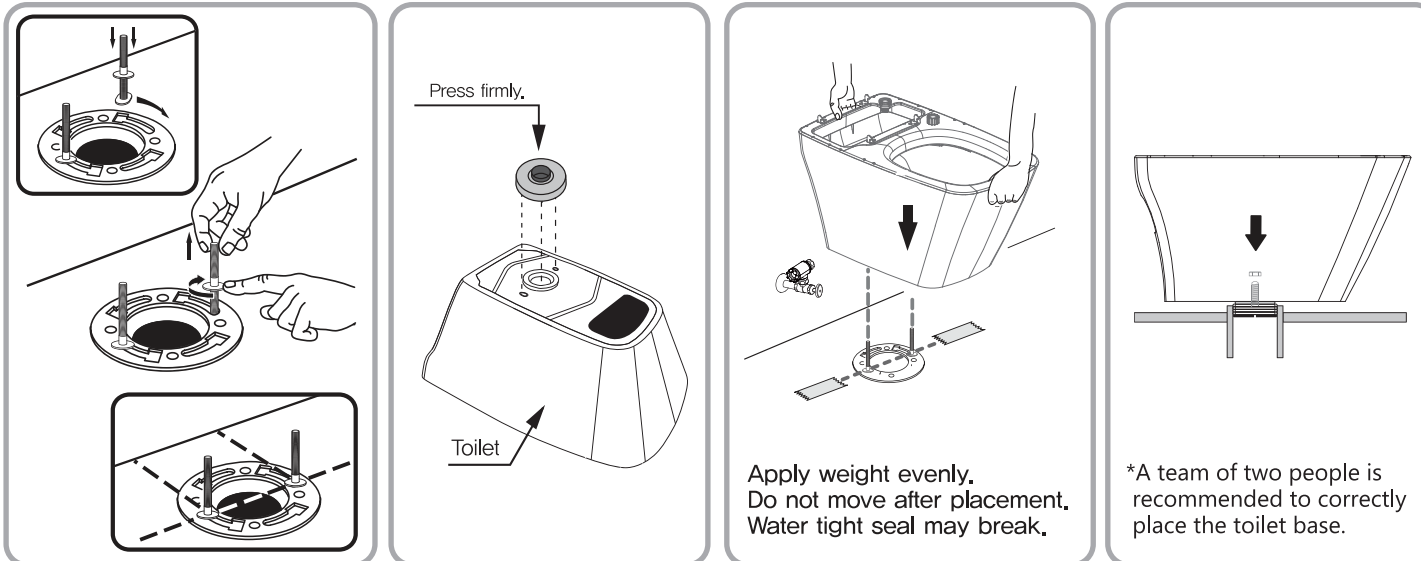
### 1 Installation Accessories

1. Close the water gauge.
2. Remove dust and sand in the water inlet when installing the shutoff valve.
3. Connect the pipe with the shutoff valve.
4. Connect the Strainer Filter.

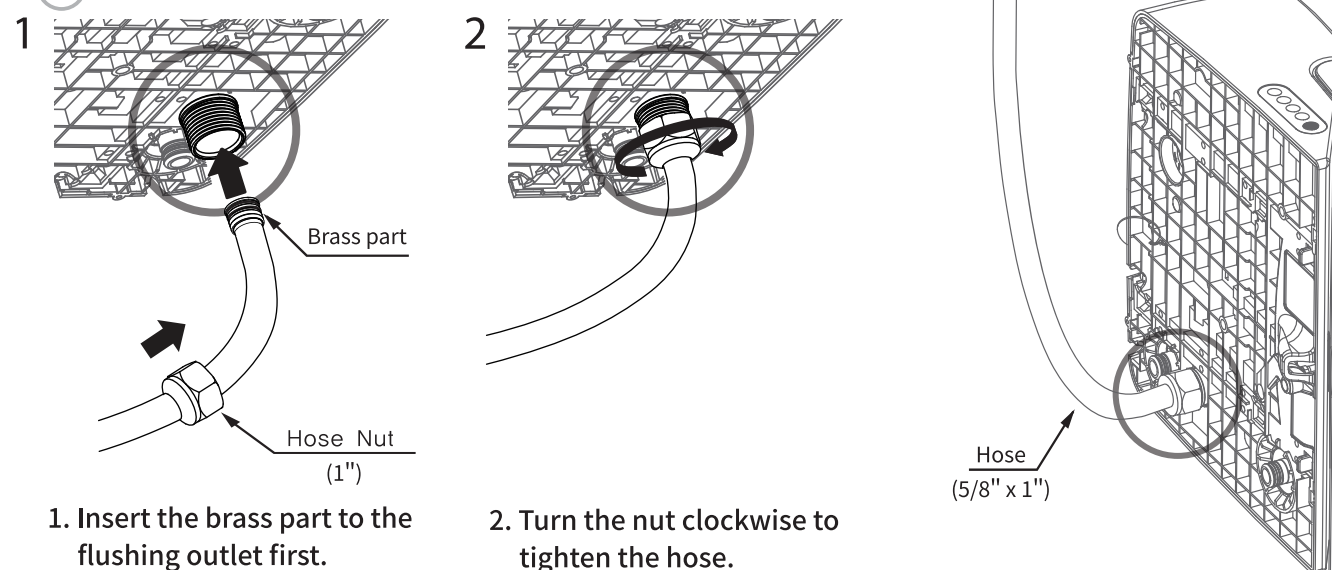
※ Please do not connect like below ※



### 2 How to install the Ceramic

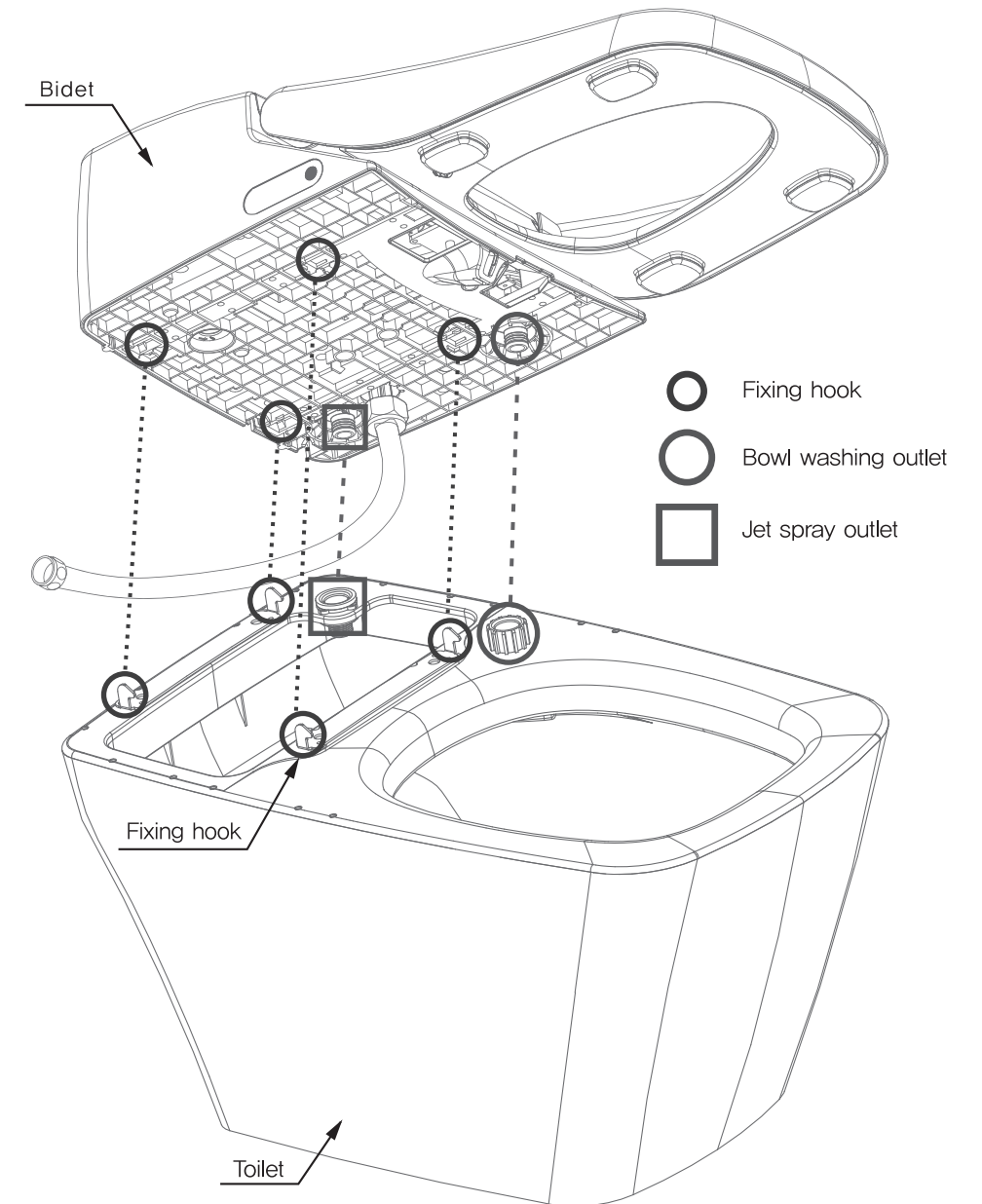


### 3 Connect Hose

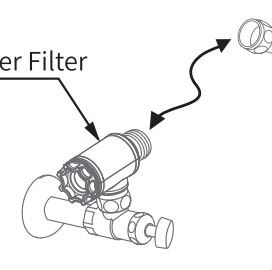


### 4 Connect Bidet to Toilet

1. Assemble the toilet with bidet, jet spray outlet and bowl washing outlet.
2. Insert the hose into the filter.
3. Insert bidet's fixing hook onto the toilet's fixing hook until it "clicks".

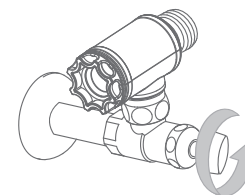


Strainer Filter



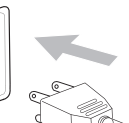
- Open the water shutoff valve.

### 5 Open the water valve



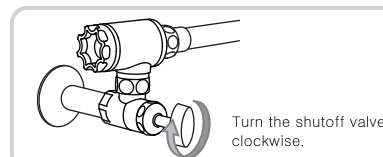
### 6 Connect Power

1. Insert the power plug into the outlet
2. Press the flush button  
- Water will fill the ceramic bowl.



※ The water may overflow out of the rim when cleaning the bowl in the region with high water pressure.

Using a screwdriver, turn the shutoff valve clockwise to reduce the water pressure.



Turn the shutoff valve clockwise.

