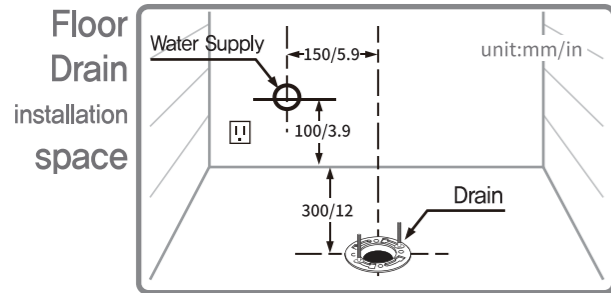


## 1 Cautions before Installation (This may differ from the product specification.)

### 1 Installation Space

- Secure enough installation space in the bathroom and check whether it disturbs the bathroom door.
- Secure water outlet at least 100mm away from the floor.
- It can cause the discoloration of wall.

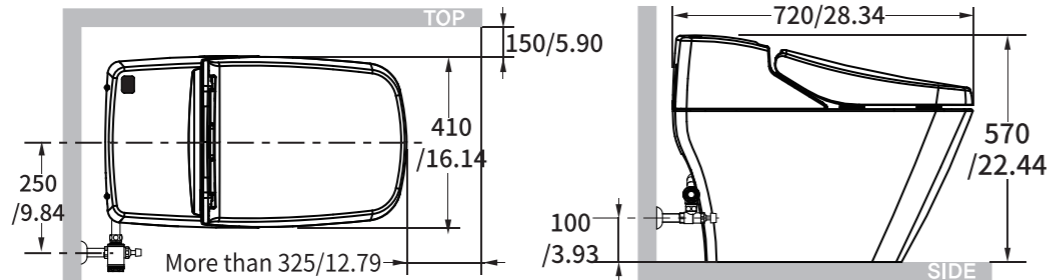


- Check whether the water supply pipe and drain pipe are in the required position before installation.
- Water Pressure**
  - Minimum 1.5 kgf/cm<sup>2</sup> (0.15 MPa) water pressure is required. If the pressure is not secured, please be aware that the flushing may not work properly to discharge the dirt.
  - Even if other modifiers are used at the same time, it still requires more than the minimum required water pressure. The maximum water pressure is 7.5 kgf/cm<sup>2</sup> (0.75 MPa).

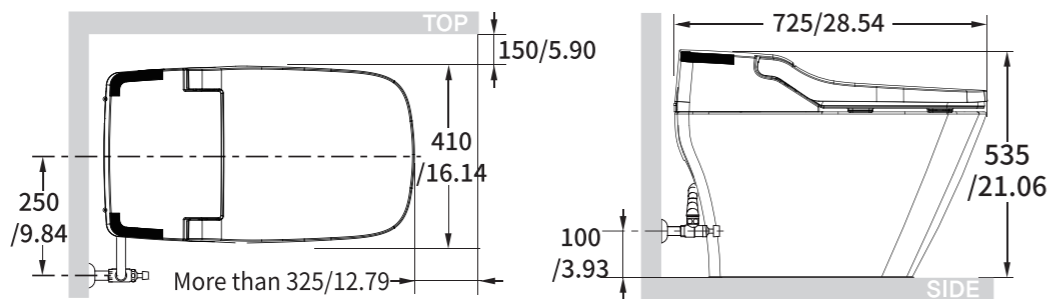
## 2 Drawing for Installation (unit : mm / in)

Remote control Type

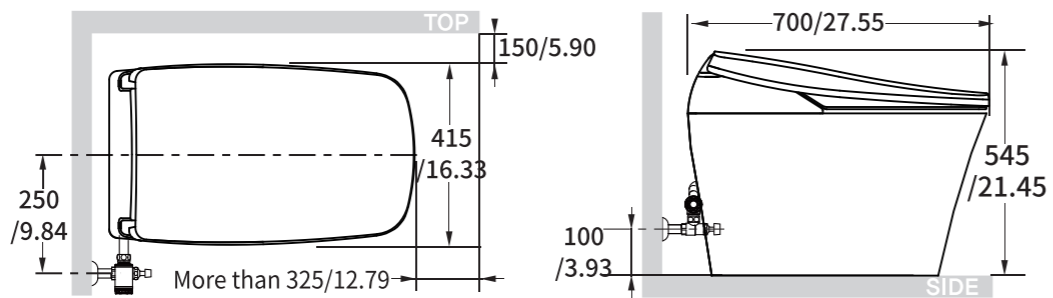
PB-707S  
PB-101S



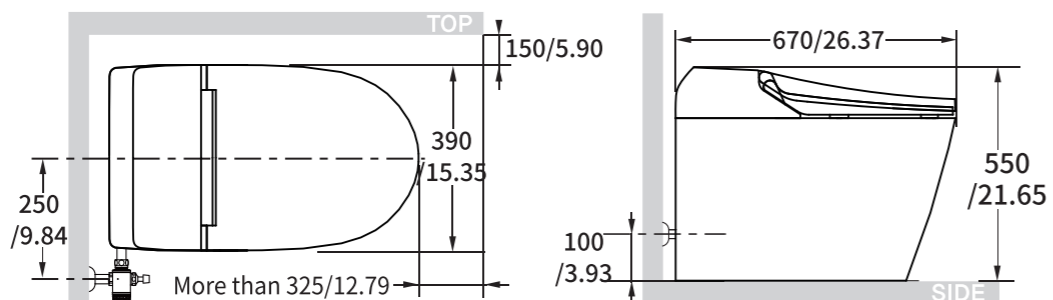
TCB 090SA  
TCB 090S  
RTB 090WA  
RTB 090W  
TC-090  
TC-090W



TCB 9100WA  
TCB 9100GA  
TCB 9100W  
TCB 9100G



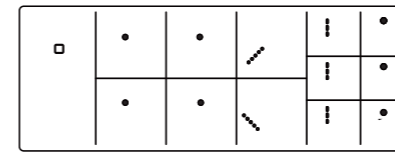
TCB 8100  
TCB 8200



## 3 Accessories

Accessories (parts) are divided into type A and type B according to product specifications.

### 1 A type Installation Accessories

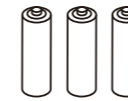


Remote control

Each product may use a different remote controller.



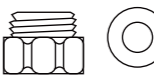
Wall Mount



AA Batteries (x3)



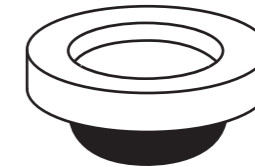
Screws (x2)



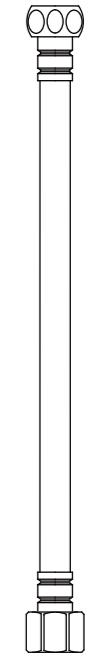
Conversion Nut



Anchors (x2)

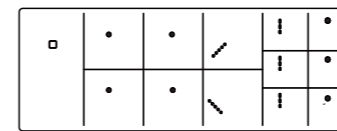


Wax Ring



Water Hose (Thin)

### 2 B type Installation Accessories

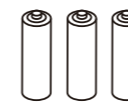


Remote control

Each product may use a different remote controller.



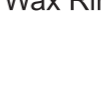
Wall Mount



AA Batteries (x3)



Screws (x2)



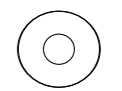
Wax Ring



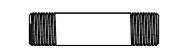
Anchors (x2)



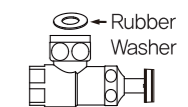
Water Hose (Thick)



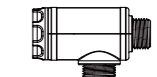
Ring Plate



Water Pipe



Water Shutoff Valve

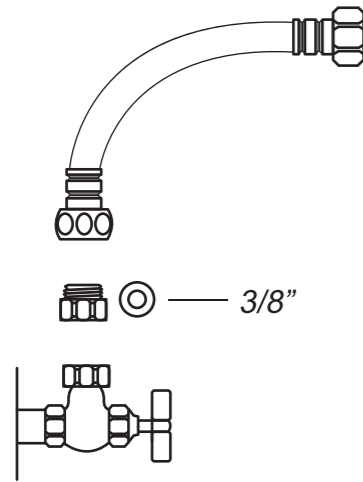


Strainer Filter

## 4 Installation (This may differ from the product specification.)

### 1 A type Installation Accessories

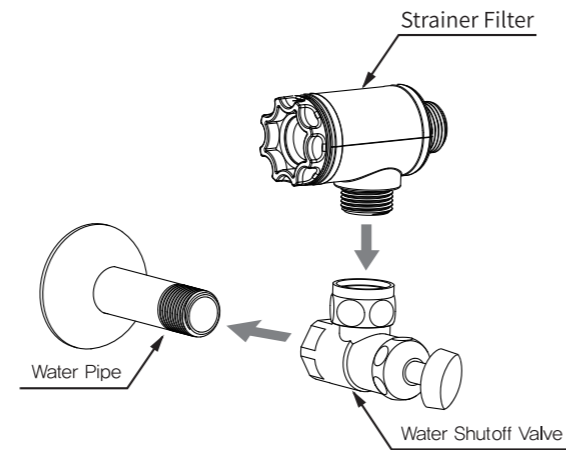
- Attach the provided water hose to your water shutoff valve.



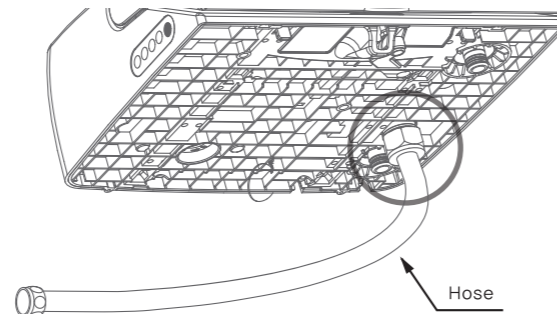
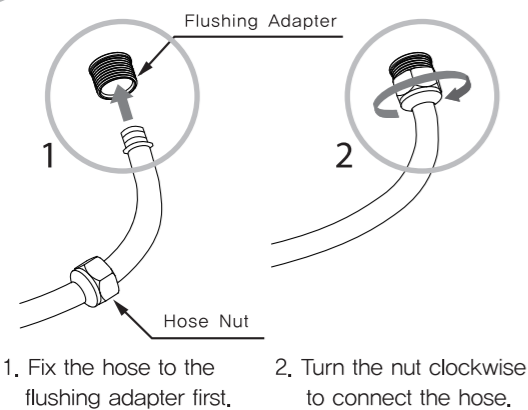
\*You may need to use the included conversion nut to fit your water shutoff valve. Simply screw the conversion nut into the 1/2" side of the hose before connecting it to your water shutoff valve.

### 2 B type Installation Accessories

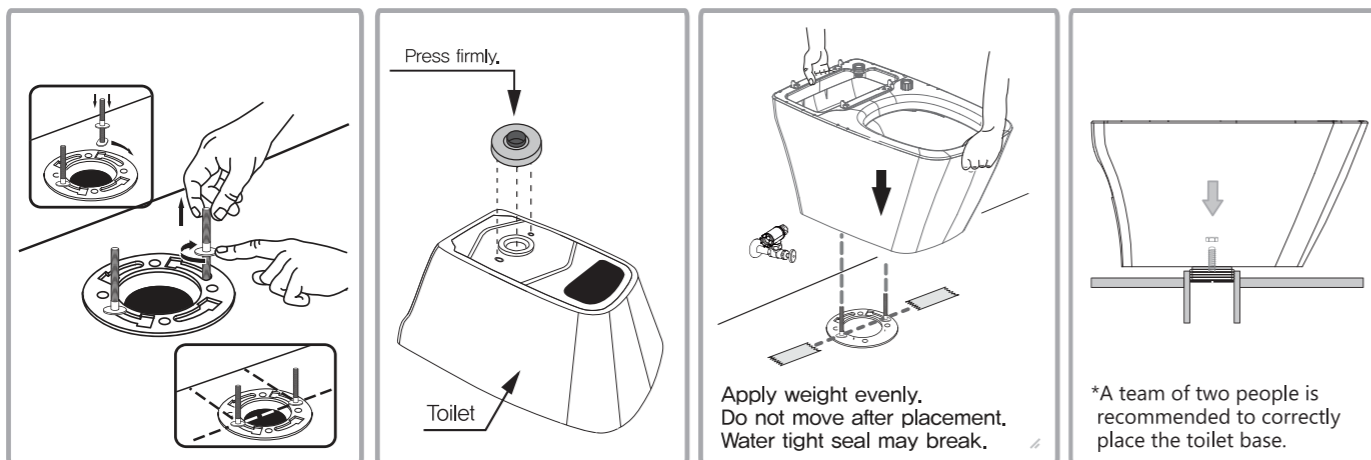
1. Close the water gauge.
2. Remove dust and sand in the water inlet when installing the shutoff valve.
3. Wind Teflon tape around the water pipe.
4. Connect the pipe with the shutoff valve.
5. Connect the Strainer Filter.



### 3 Connect Hose



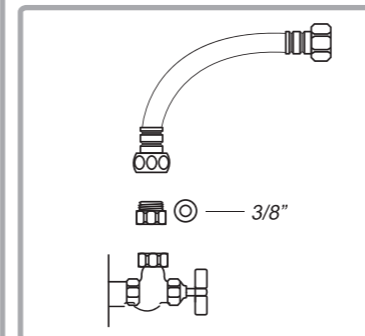
### 4 How to install the Ceramic



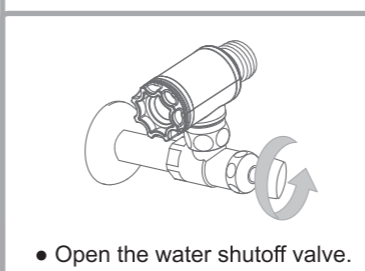
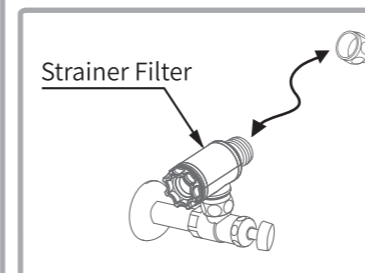
### 5 Connect Bidet to Toilet

1. Assemble the toilet with bidet, jet spray outlet and bowl washing outlet.
2. Insert the hose into the filter.
3. Insert bidet's fixing hook onto the toilet's fixing hook until it "clicks".

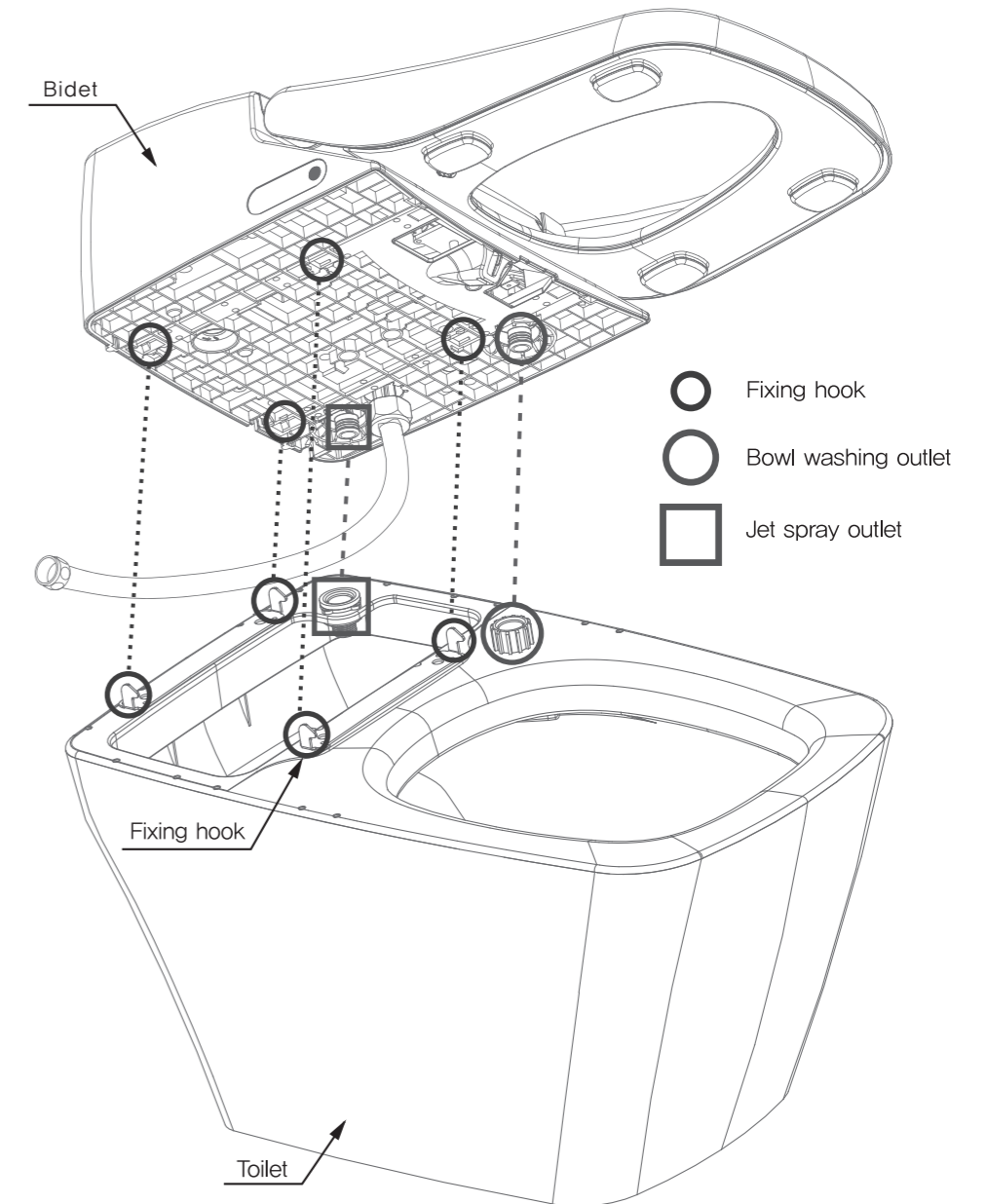
#### A type



#### B type

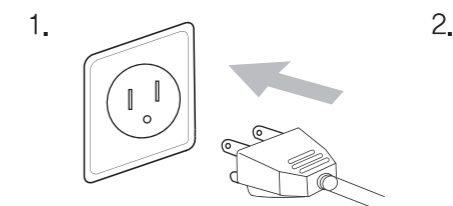


- Open the water shutoff valve.



### 6 Connect Power

1. Insert the power plug into the outlet.
2. Press the Flush button.
  - Water will fill the ceramic bowl.



※ The water may overflow out of the rim when cleaning the bowl in the region with high water pressure.

Using a screwdriver, turn the shutoff valve clockwise to reduce the water pressure.

