

VOVO STYLEMENT Install Guide



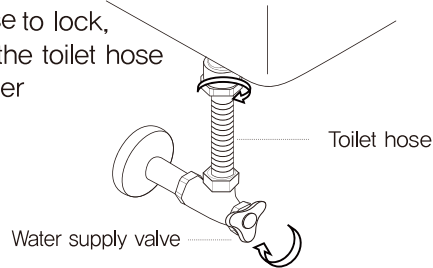
Easily install the WATERJET bidet by yourself!

Note: Before the installation, please check the size of your toilet using the template first.

- ※ Do not use heavy duty tools and excessive power when tightening the connections.
- ※ Do not use Teflon tape when connecting the hose to the water supply valve and the bidet unit.
- ※ This product is water tested for quality check.

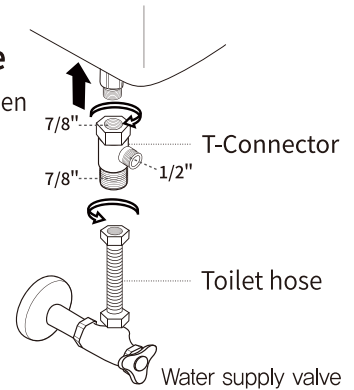
1 Separate water supply hose

- Turn the water supply valve clockwise to lock, and separate the toilet hose using a spanner



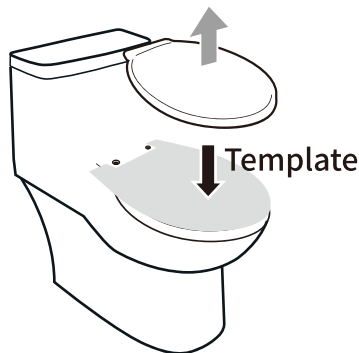
2 Connect the T-valve to the toilet and toilet hose

- Place the T-Connector between the toilet and the toilet hose



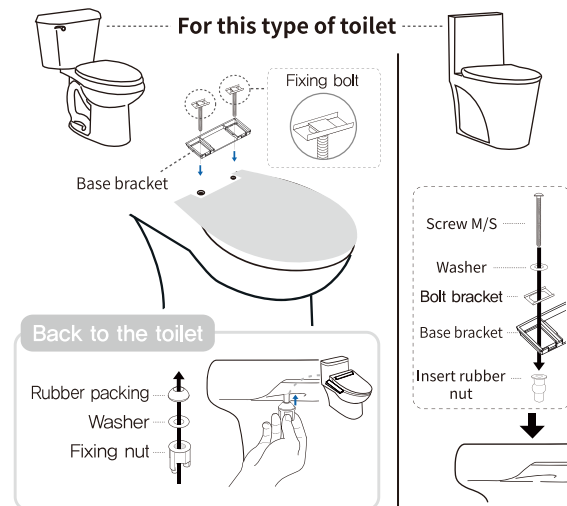
3 Remove the existing toilet seat.

- Unfasten the nut and remove the toilet seat.
- Save the old toilet seat lid and nuts for reinstallation later.
- Place the template on the toilet after removing the toilet seat cover.



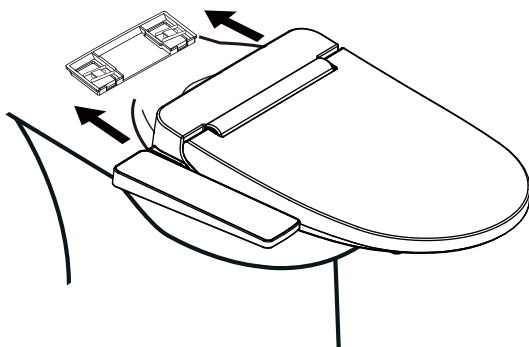
4 Install the base bracket.

- Place the fixing bolt on the base bracket.
- Align the front of the bidet body and the front of the toilet before fastening the nuts.



5 Install the bidet and secure the remote control holder

- Slide the bidet and install it.

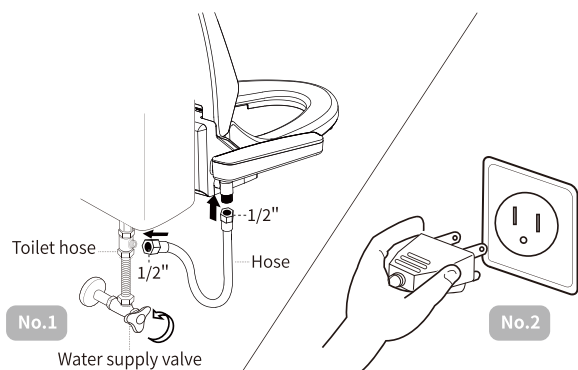


- Secure the remote control holder to the wall with screws or peel off the double-sided tape sticker on the back of the remote

Open the water valve first and then plug-in the power.

6 Connect the hose and turn on the water

- Connect the hose to the T-Connector and the bidet.
- Turn the water supply valve counterclockwise to allow water flow.
- Connect the outlet.



Thank you for purchasing VOVO product.

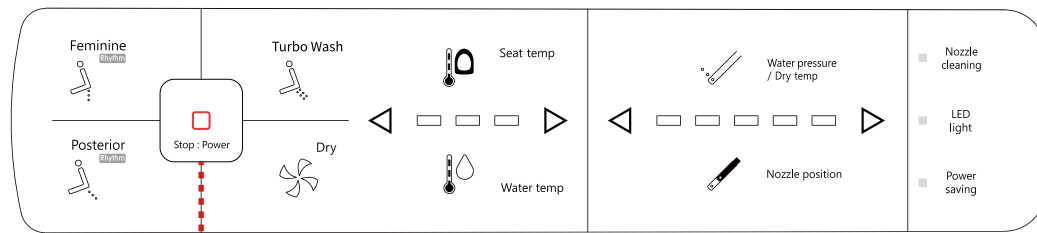
We are here to help and improve your satisfaction.

Please allow us the opportunity to assist you to maximize your satisfaction.

If you have any questions, please contact us through live chat at www.vovo-us.com or send us an email at support@imunsen.com

How to use

VB-3000SE
VB-3100SR



STOP: POWER

- Press the Stop button when you want to stop the function.
- When you press the Stop button for more than 3 seconds, the power will turn off. Press the Stop button again, the power will turn on.

Dry

(VB-6000SE, VB-6100SR)

Use this after using wash function

- Wipe off the water with toilet paper before using dry function for pleasant using.

Auto Deodorization

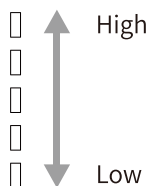
(VB-4000SE, VB-4100SR)

- The default product setting is always ON on automatic deodorization.
- While someone sits on the seat (detects by the seat sensor) auto deodorization turns on and activates. If a person stands up after using the bidet (if it is not detected by the seat sensor), it will be turned off after 1 minute of operation.

Water Pressure and

Nozzle Position Adjustment

- Water pressure and nozzle position can be adjusted in 5 levels.



Auto Deodorization on/off

(VB-4000SE, VB-4100SR)

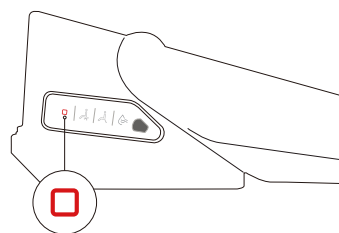
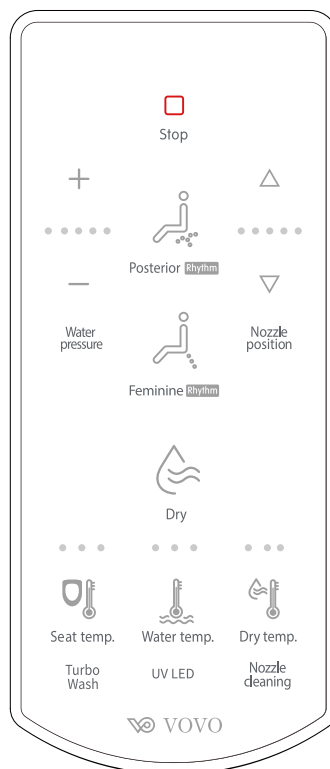
Without a person seating on the seat, the side panel has a feature of turning on/off using the dry button.

LED Light

(VB-3000SE, VB-3100SR)

The LED lamps illuminate the toilet bowl with a warm glow.

VB-6000SE
VB-6100SR
VB-4000SE / VB-4000N
VB-4100SR



Power Saving/Stop

- Press the STOP button once on the side control panel of the product without seating to operate power save mode.
- Press the STOP button once more without seating to turn off the power save mode.
- When you press the Stop button for more than 3 seconds, the power will turn off. Press the Stop button again, the power will turn on.

Posterior/Rhythm

- Press Posterior/Rhythm button, to operate washing function.
- Press Posterior/Rhythm button again during using this function. Rhythm(Pulsating) function will work.

Feminine/Rhythm

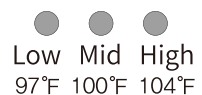
- Press Feminine/Rhythm button, to operate Feminine function.
- Press Feminine/Rhythm button again when during using the function, Rhythm(Pulsating) function will work.

Turbo Wash

- Press Turbo button, Turbo wash will operate.
- It starts from the lowest water pressure

Water Temperature, Seat Temperature, Dry Temperature

- 3 levels of Water Temperature / Seat Temperature / Dry Temperature



- It takes time to dry completely.

Nozzle Cleaning

- You can clean the nozzle by pressing the Nozzle cleaning button.

UV LED Light

(VB-6000SE, VB-6100SR, VB-4000SE, VB-4100SR)

- UV LED eliminates germs and bacterias as well as sterilizing the bowl.
- When UV LED function is activated, UV LED will turn on and it will automatically turn off while seated.