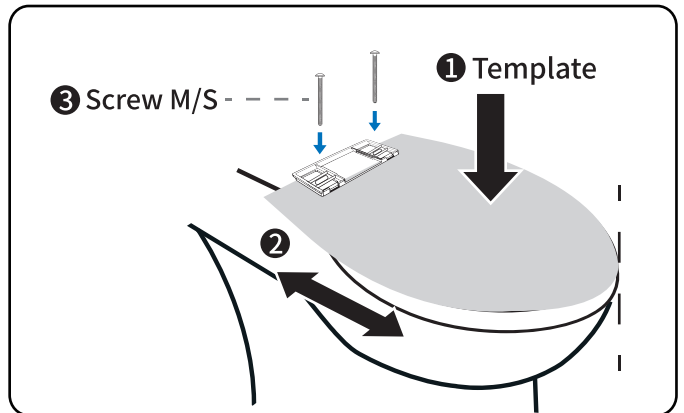
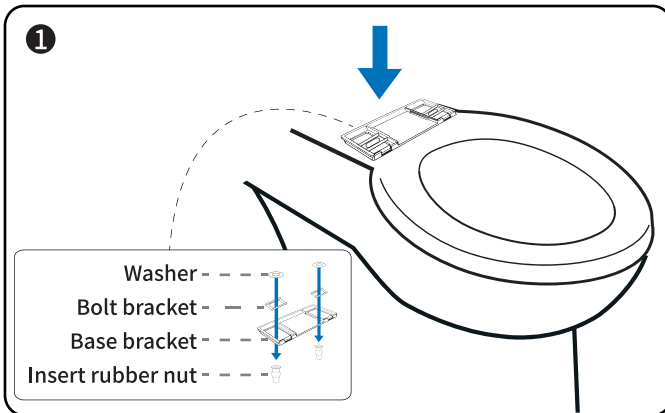




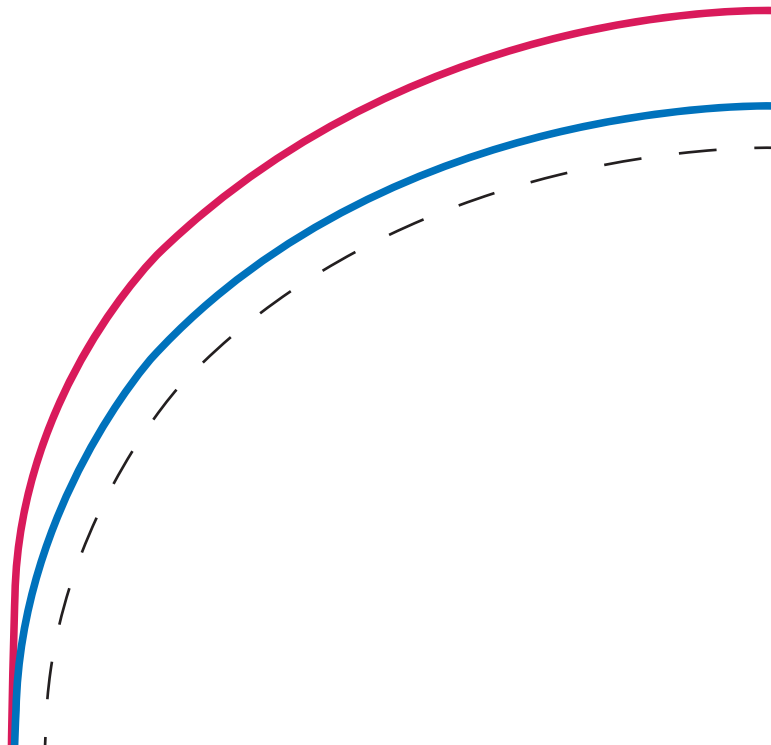
TOILET

Blue Line (Elongated)
VB-6000SE, VB-5000SE
VB-4000SE, VB-3000SE

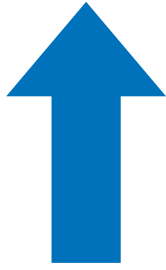
Red Line (Round)
VB-6100SR, VB-5100SR
VB-4100SR, VB-3100SR



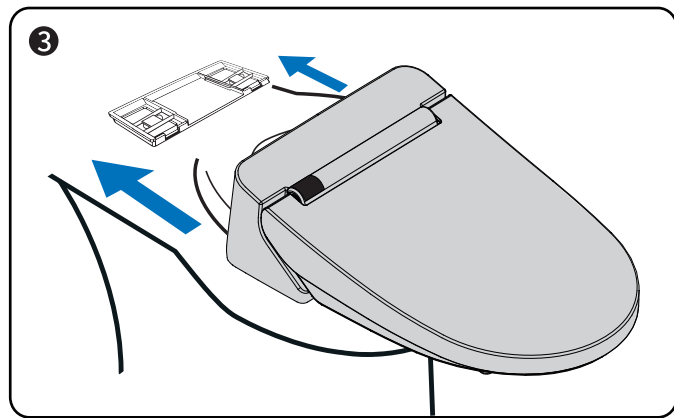
1. Place the base bracket on the toilet.



TANK



1. Place the template on the toilet and align it to the position of the base bracket.
2. Move the base bracket and template up and down in order to align the front of the toilet and adjust the position.
3. Tighten the base bracket in order to fix it on the aligned position.



3. Slowly push the bidet seat into the base bracket until you hear a "Click", which means the bidet has been locked into place.

Blue Line (Elongated)

VB-6000SE, VB-5000SE
VB-4000SE, VB-3000SE

Red Line (Round)

VB-6100SR, VB-5100SR
VB-4100SR, VB-3100SR

