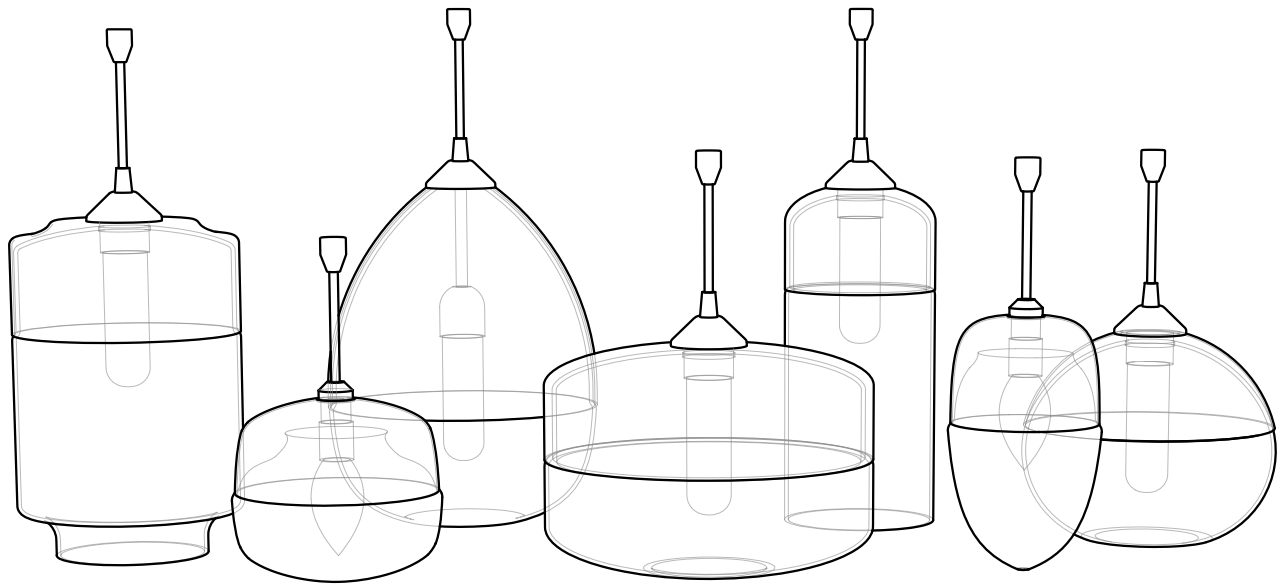


PARALLEL COLLECTION

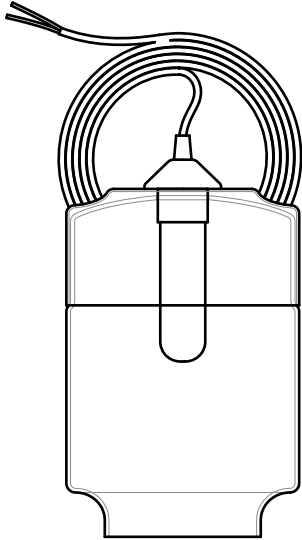


DRAWINGS ARE NOT TO SCALE. PLEASE CONSULT A LICENSED ELECTRICIAN BEFORE INSTALLATION. DRAWINGS ARE FOR REFERENCE ONLY AND ARE SUBJECT TO PRODUCT REVISIONS. J-BOX AND J-BOX SCREWS ARE NOT INCLUDED.

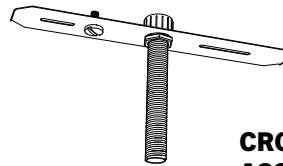
PARTS INCLUDED



WIRE NUT
QTY 2



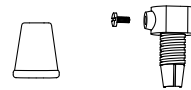
**PARALLEL
PENDANT**
QTY 1



**CROSS BAR
ASSEMBLY**
QTY 1



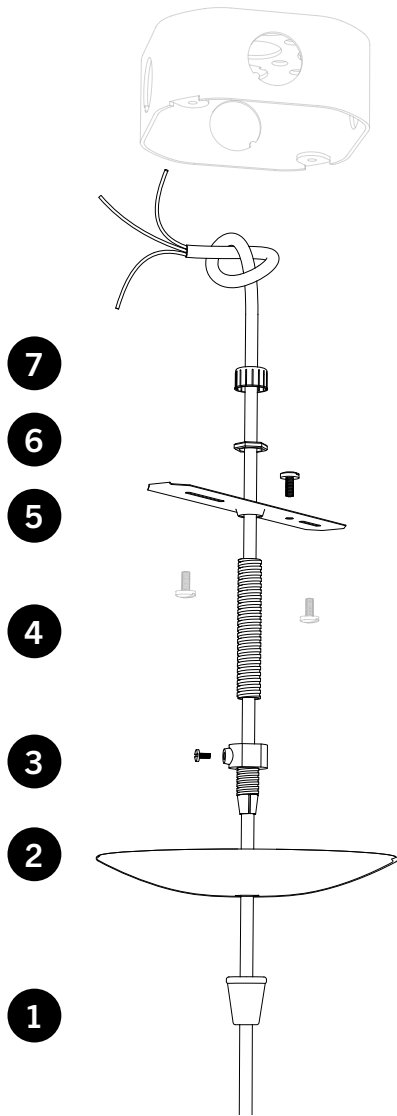
DOME CANOPY
QTY 1



STRAIN RELIEF & CAP
QTY 1



CAUTION: PRIOR TO BEGINNING INSTALLATION, CUT ELECTRICAL POWER TO J-BOX.



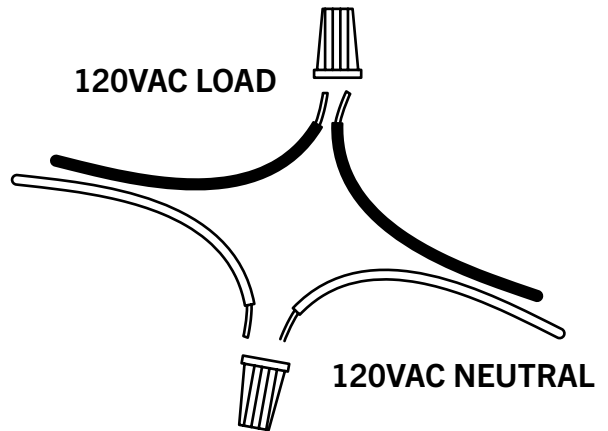
1. Thread cable and strain relief through the 5" canopy and canopy parts in the order shown.

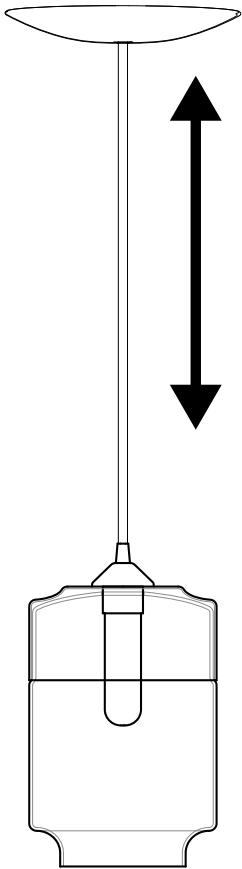
- 1. Strain Relief Cap
- 2. Dome Canopy
- 3. Strain Relief
- 4. Threaded Nipple
- 5. Cross Bar
- 6. Hex Nut
- 7. Black Plastic Bushing

Tie safety knot as shown. Tighten strain relief against cord using set screw.

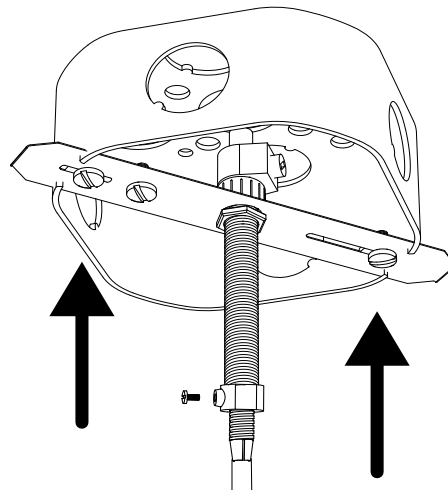
J-Box screws are not included.

2. Twist matching wires from J-Box and pendant together as shown. Use wire nuts to complete connection.





3. Set approximate cord length close to eventual pendant height by adjusting strain relief. Loosely coil extra cord inside of J-Box.
4. Fasten canopy to junction box by threading J-Box Screws through cross bar.



5. Carefully slide canopy up to cross bar assembly without snagging cord. Thread canopy and threaded cap onto strain relief in a clockwise motion until snug against ceiling.

